



US00D825677S

(12) **United States Design Patent**
Kitamura

(10) **Patent No.:** **US D825,677 S**

(45) **Date of Patent:** **** Aug. 14, 2018**

(54) **LAUNCHING APPARATUS FOR SPINNING
TOP TOY**

(71) Applicant: **TOMY COMPANY, LTD.**, Tokyo (JP)

(72) Inventor: **Teruo Kitamura**, Tokyo (JP)

(73) Assignee: **TOMY COMPANY, LTD.**, Tokyo (JP)

(**) Term: **15 Years**

(21) Appl. No.: **29/620,823**

(22) Filed: **Jun. 29, 2017**

(30) **Foreign Application Priority Data**

Feb. 28, 2017 (JP) 2017-003989

(51) **LOC (11) Cl.** **21-01**

(52) **U.S. Cl.**
USPC **D21/461**

(58) **Field of Classification Search**
USPC D21/454, 455, 460-464; 446/38-45,
446/236-266, 429, 430, 489
CPC ... A63H 1/00-1/06; A63H 1/12; A63H 29/24;
A63H 29/20; A63H 27/14; A63F 9/16
See application file for complete search history.

(56) **References Cited**

U.S. PATENT DOCUMENTS

- 214,154 A * 4/1879 Johnson A63H 1/04
446/263
- 615,930 A * 12/1898 Warren A63H 1/02
446/260
- 744,148 A * 11/1903 Wilson A63H 1/04
446/263
- 1,120,886 A * 12/1914 Barbalicz A63H 1/04
446/263

- 1,366,535 A * 1/1921 Harrington A63H 1/04
446/263
- 1,720,498 A * 7/1929 Wahlstrom A63H 1/04
446/263
- D174,231 S * 3/1955 McBride D21/461
- D199,536 S * 11/1964 Salayka D21/461
- D224,250 S * 7/1972 Crain et al. D21/454
- D225,423 S * 12/1972 Tanis D21/461
- D289,907 S * 5/1987 Redding D21/461

(Continued)

FOREIGN PATENT DOCUMENTS

- CA 2920495 A1 * 2/2015 A63H 1/04
- CN 3333083 * 10/2003

(Continued)

Primary Examiner — Catherine A Tuttle

(74) *Attorney, Agent, or Firm* — Staas & Halsey LLP

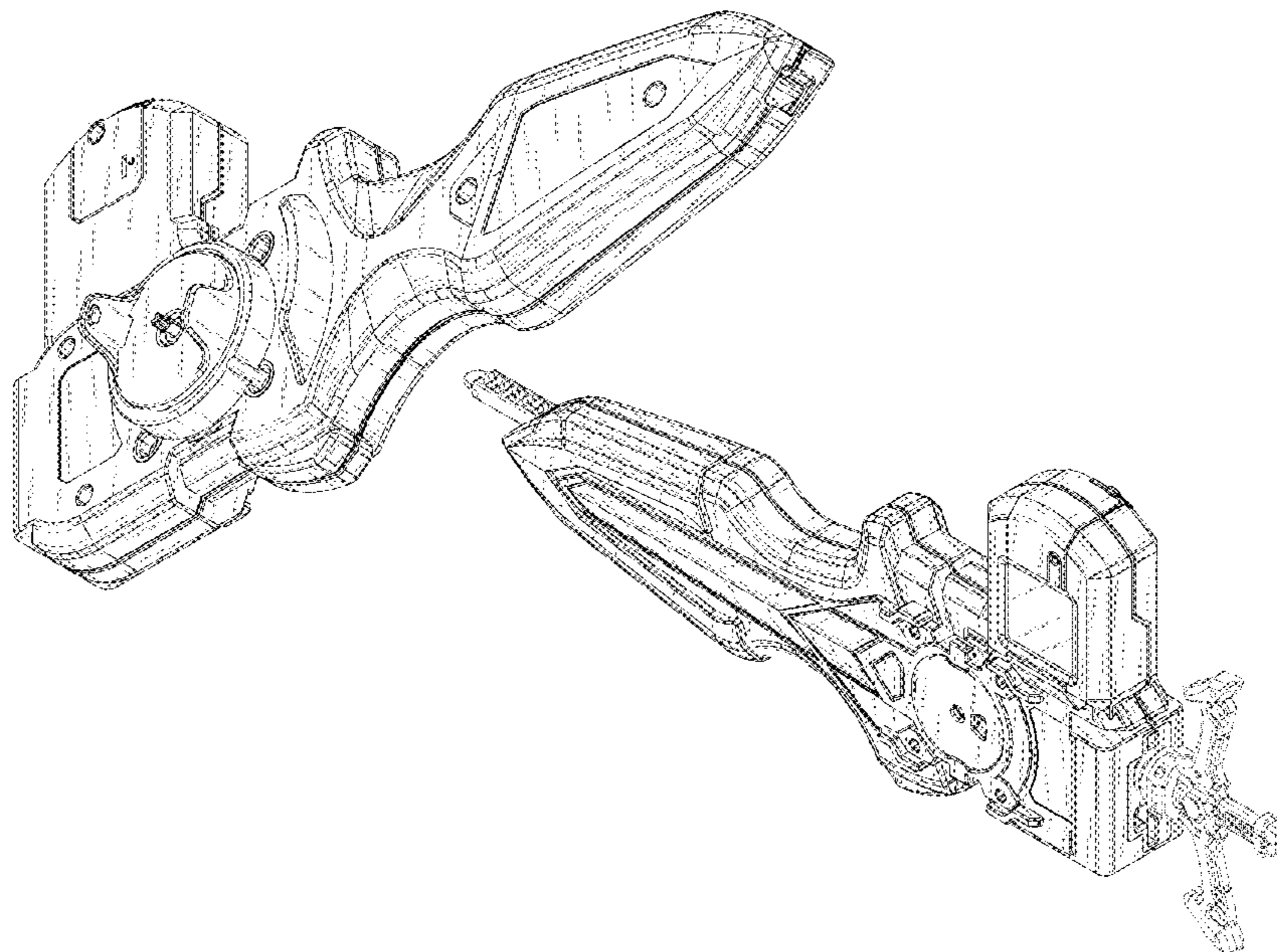
(57) **CLAIM**

The ornamental design for a launching apparatus for spinning top toy, as shown and described.

DESCRIPTION

FIG. 1 is a front view of the launching apparatus for spinning top toy showing my design;
 FIG. 2 is a left side view thereof;
 FIG. 3 is a rear view thereof;
 FIG. 4 is a right side view thereof;
 FIG. 5 is a top view thereof;
 FIG. 6 is a bottom view thereof;
 FIG. 7 is a front, top and right perspective view thereof;
 FIG. 8 is a rear bottom and left perspective view; and,
 FIG. 9 is another front, top and right perspective view shown in association with a winder illustrated in broken lines.
 The broken line showing of the winder is for illustrative purposes only and forms not part of the claimed design.

1 Claim, 9 Drawing Sheets



(56)

References Cited

U.S. PATENT DOCUMENTS

7,063,589 B2 * 6/2006 Matsukawa A63H 1/04
446/256
D554,201 S * 10/2007 Vetuskey D21/454
D616,043 S * 5/2010 Ujita D21/461
D639,349 S * 6/2011 Horikoshi D21/461
D790,635 S * 6/2017 Horikoshi D21/461
2018/0008899 A1 * 1/2018 Ainley A63H 27/14

FOREIGN PATENT DOCUMENTS

CN 3472250 * 8/2005
CN 3309384 * 7/2007
CN 300773229 * 4/2008
CN 301029837 * 9/2009
CN 301348470 * 9/2010
CN 301883427 * 4/2012
CN 302826432 * 5/2014
CN 302944420 * 9/2014
CN 303648727 * 4/2016
EP 0659456 A2 * 6/1995 A63H 1/02
FR 3004121 B1 * 2/2017 A63H 1/04
GB 136741 A * 12/1919 A63H 1/02

* cited by examiner

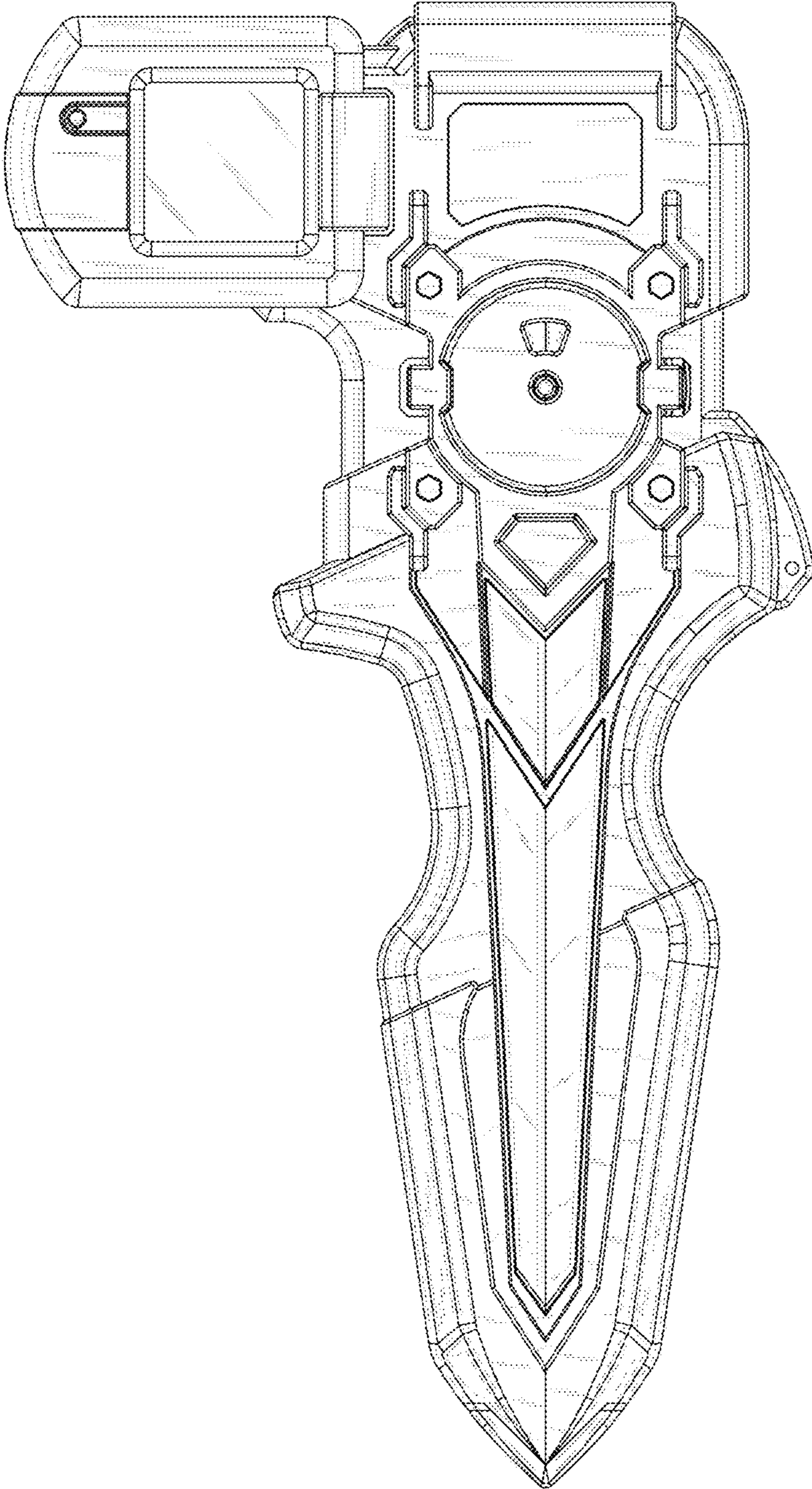


FIG. 1

FIG. 2

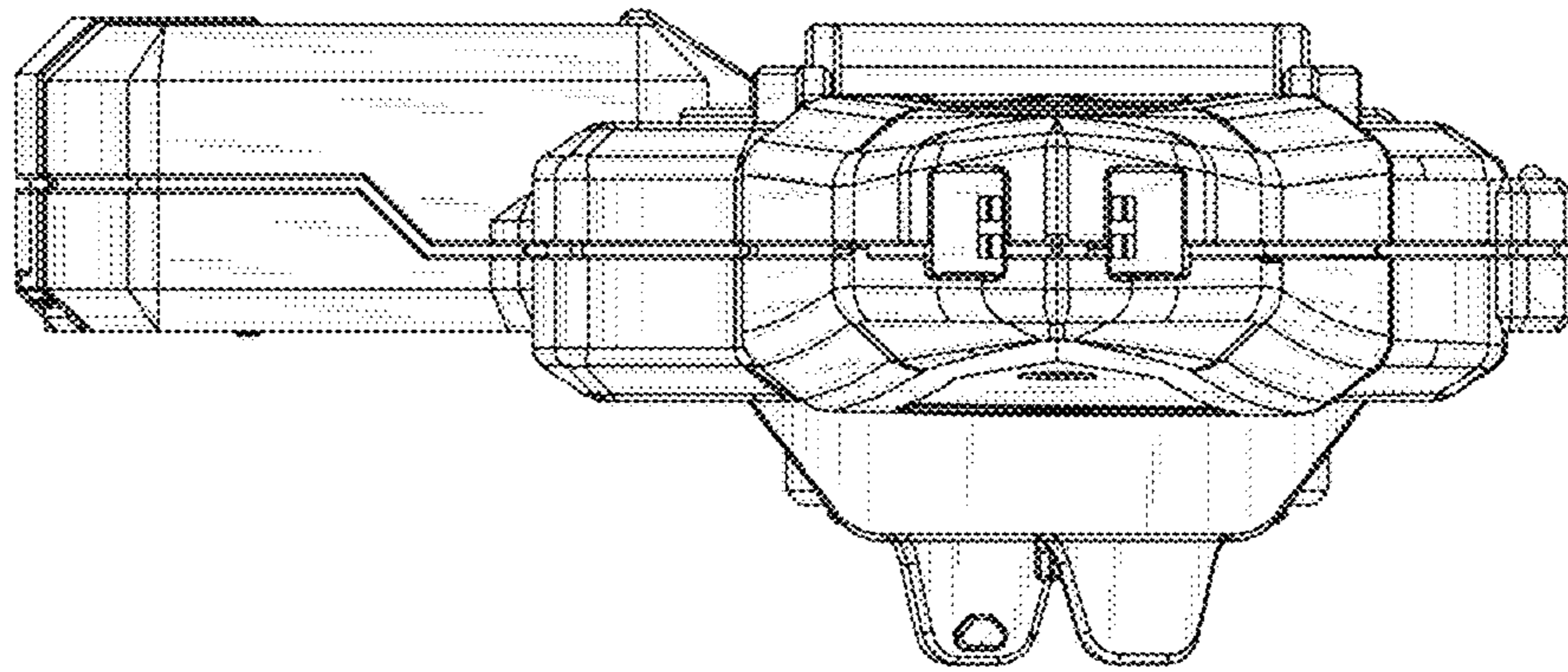


FIG. 3

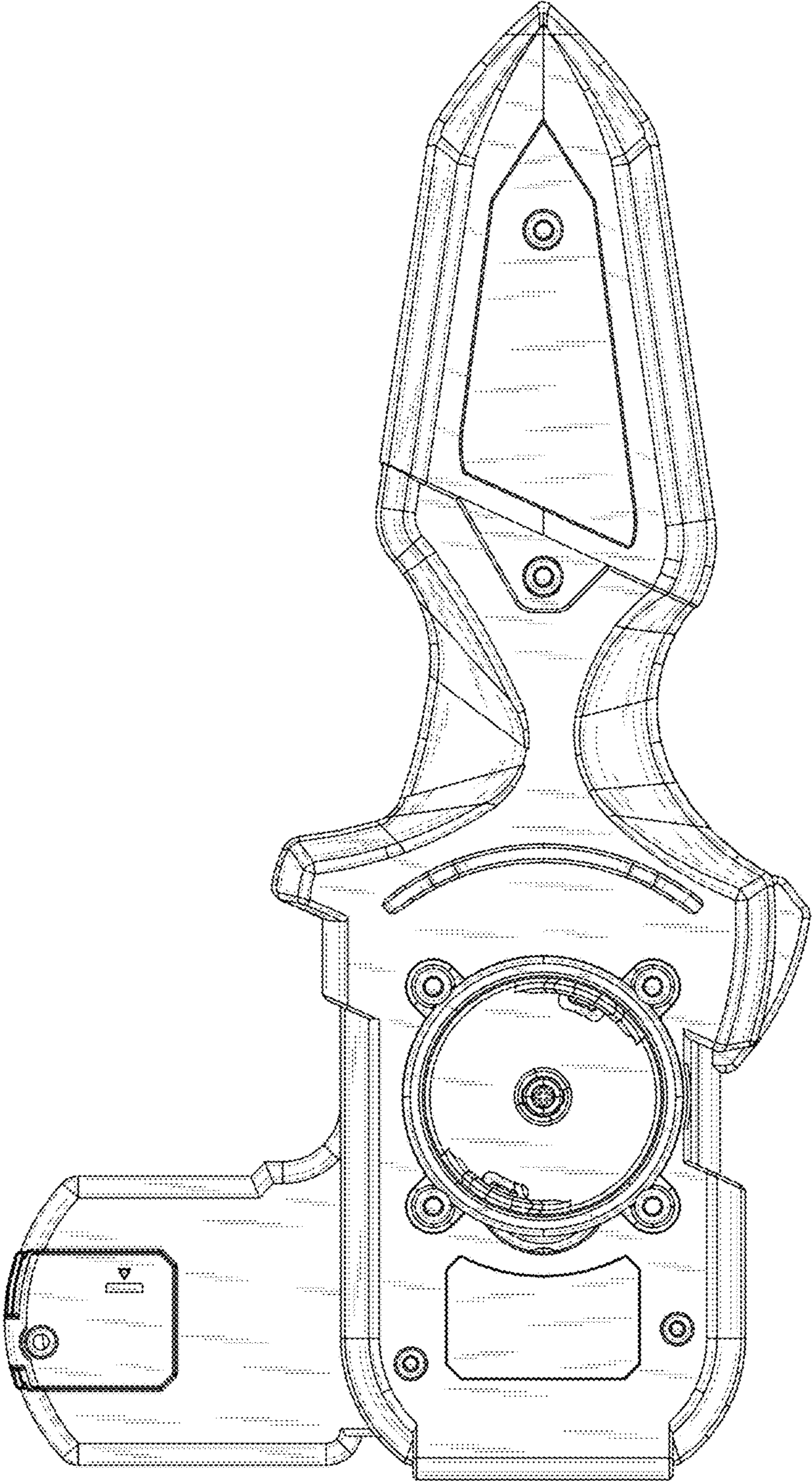


FIG. 4

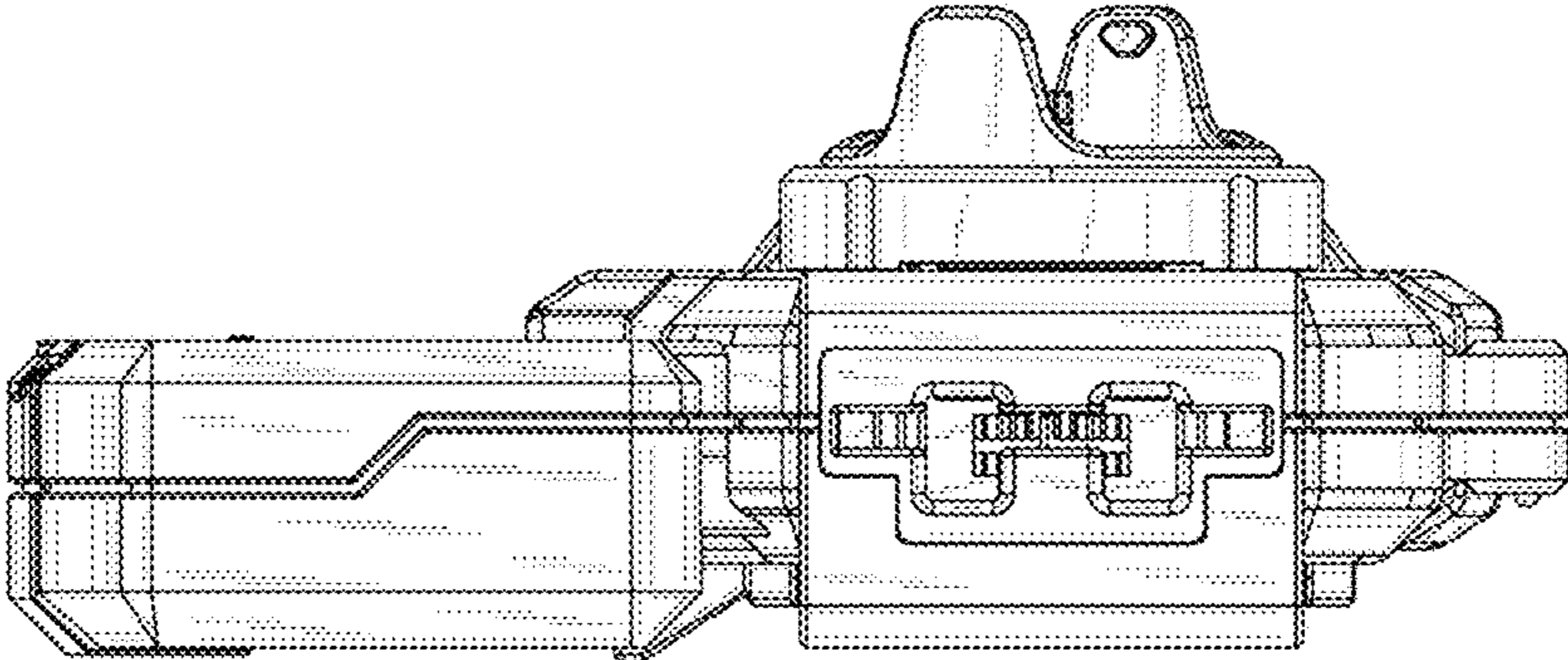


FIG. 5

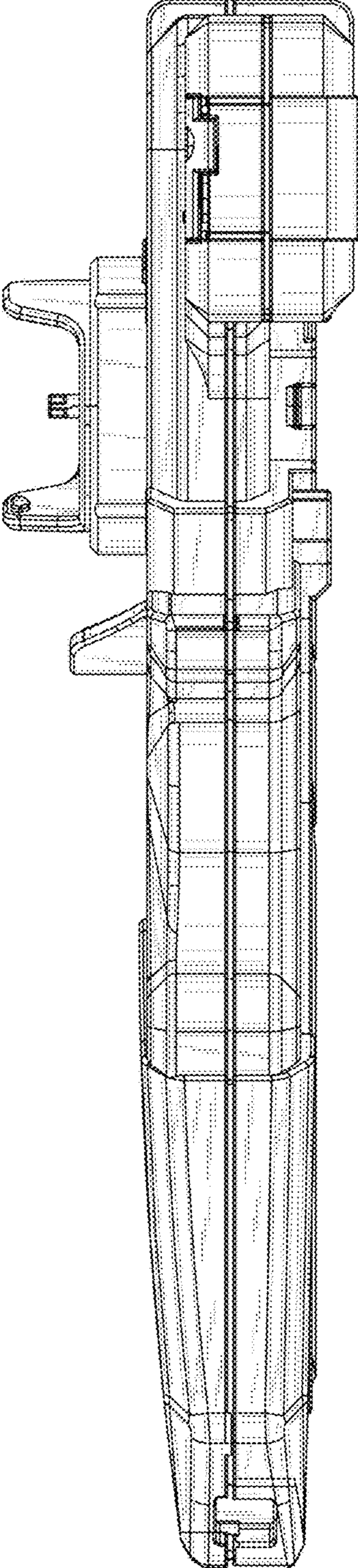


FIG. 6

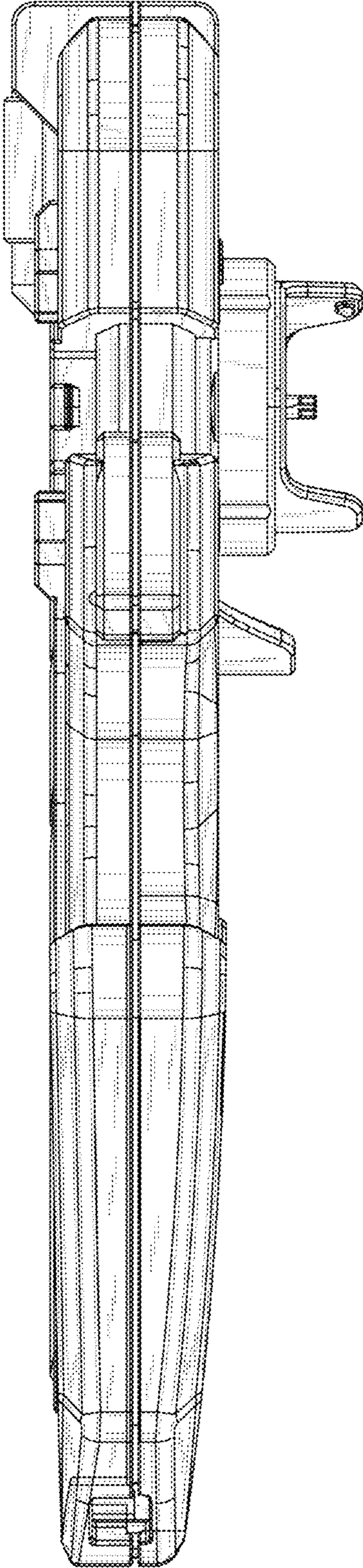


FIG. 7

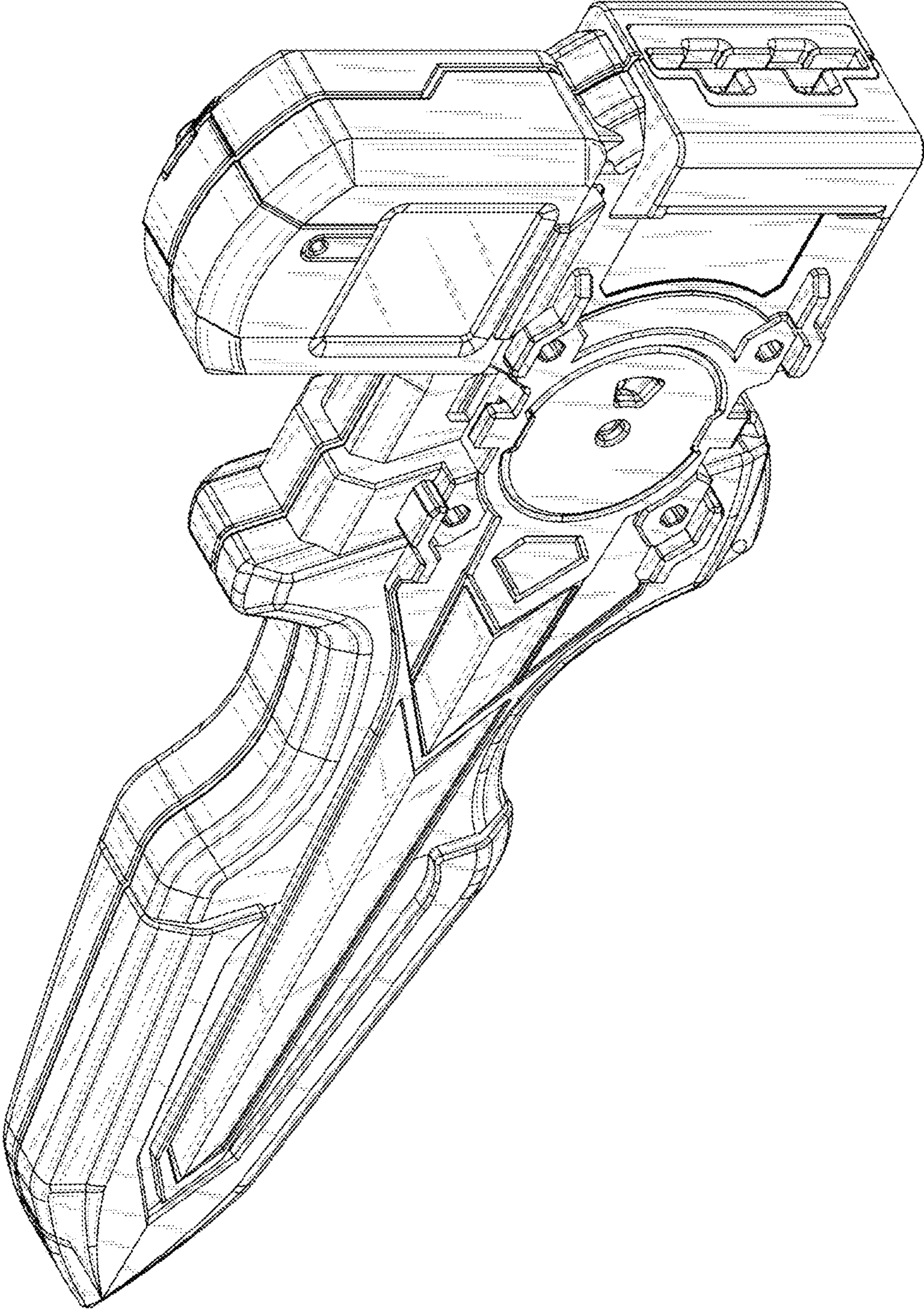


FIG. 8

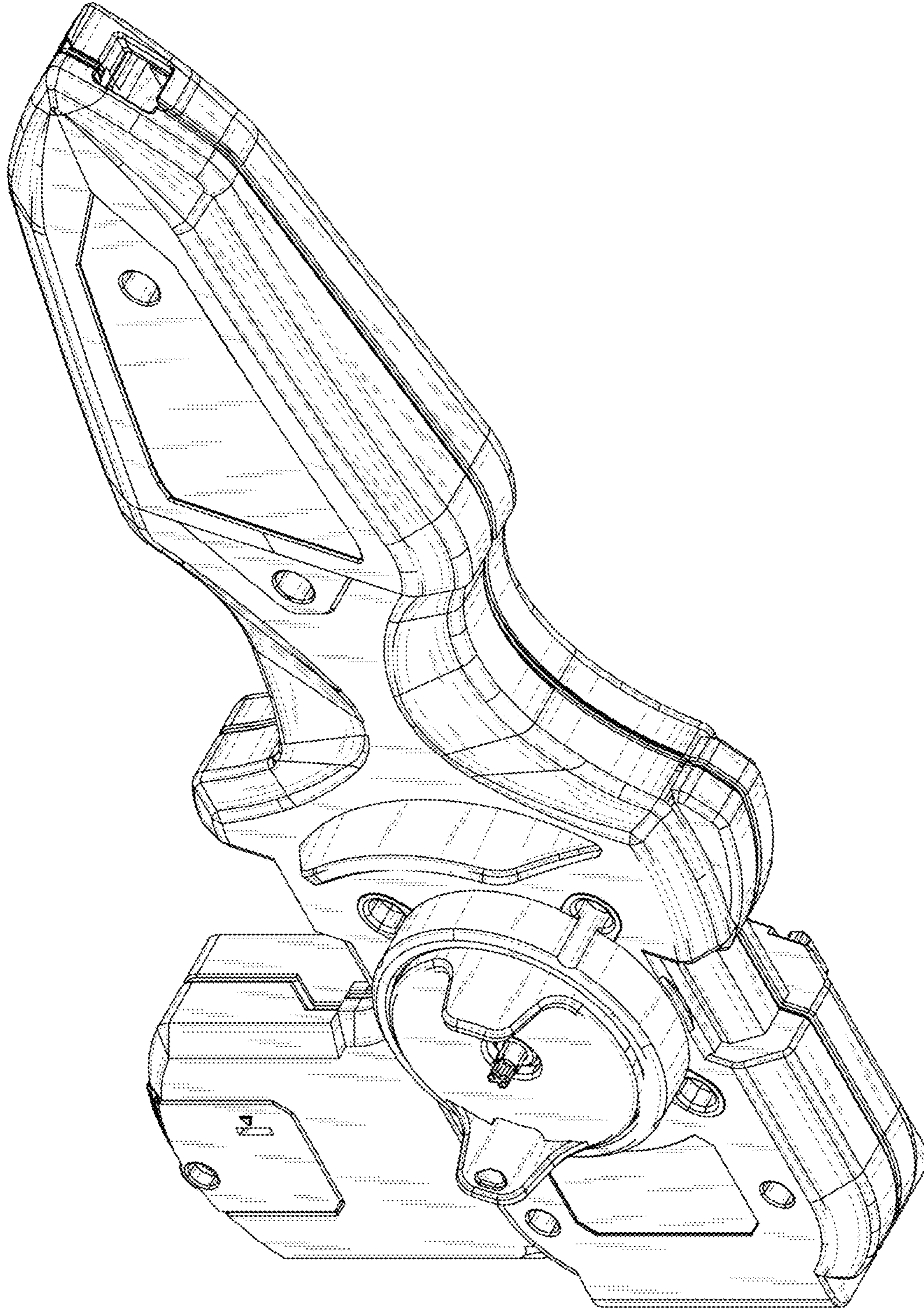


FIG. 9

