



US00D825676S

(12) **United States Design Patent**
Horikoshi

(10) **Patent No.:** **US D825,676 S**
(45) **Date of Patent:** **** Aug. 14, 2018**

(54) **LAUNCH APPARATUS FOR SPINNING TOP TOY**

(71) Applicant: **TOMY COMPANY, LTD.**, Tokyo (JP)

(72) Inventor: **Kenji Horikoshi**, Tokyo (JP)

(73) Assignee: **TOMY COMPANY, LTD.**, Tokyo (JP)

(**) Term: **15 Years**

(21) Appl. No.: **29/620,736**

(22) Filed: **May 17, 2017**

(30) **Foreign Application Priority Data**

Jan. 24, 2017 (JP) 2017-001070

(51) **LOC (11) Cl.** **21-01**

(52) **U.S. Cl.**
USPC **D21/461**

(58) **Field of Classification Search**
USPC D21/454, 455, 460-464; 446/38-45,
446/236-266, 429, 430, 489
CPC ... A63H 1/00-1/06; A63H 1/12; A63H 29/24;
A63H 29/20; A63H 27/14; A63F 9/16
See application file for complete search history.

(56) **References Cited**

U.S. PATENT DOCUMENTS

615,930 A * 12/1898 Warren A63H 1/02
446/260
D167,482 S * 8/1952 Rosini D21/411
5,052,973 A * 10/1991 Rudell A63H 17/008
124/17
D353,633 S * 12/1994 Nonaka D21/461
D353,848 S * 12/1994 Nonaka D21/461
D610,210 S * 2/2010 Nishimoto D21/461

D610,211 S * 2/2010 Nishimoto D21/461
D639,349 S * 6/2011 Horikoshi D21/461
9,435,820 B1 * 9/2016 Muraki G01P 3/486
D790,635 S * 6/2017 Horikoshi D21/461
D790,636 S * 6/2017 Horikoshi D21/461
9,849,394 B1 * 12/2017 Shindo A63F 9/16
2003/0064660 A1 * 4/2003 Matsukawa A63F 3/00895
446/256
2017/0173477 A1 * 6/2017 Shindo A63H 1/04

FOREIGN PATENT DOCUMENTS

CN 3315787 * 8/2003
CN 3671626 * 7/2007
CN 300742501 * 2/2008
CN 300748422 * 2/2008
CN 301877932 * 4/2012

(Continued)

Primary Examiner — Catherine A Tuttle

(74) *Attorney, Agent, or Firm* — Staas & Halsey LLP

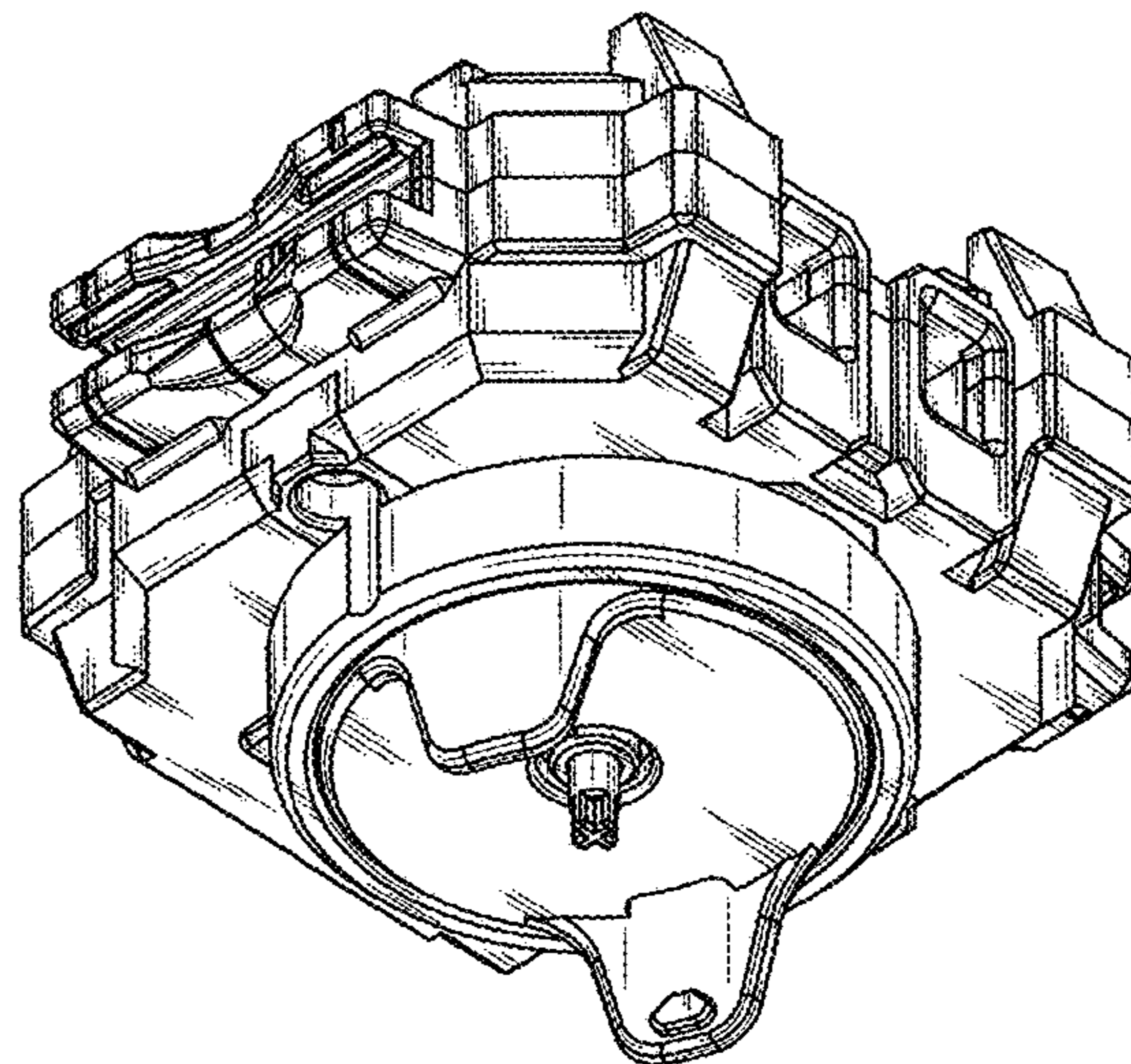
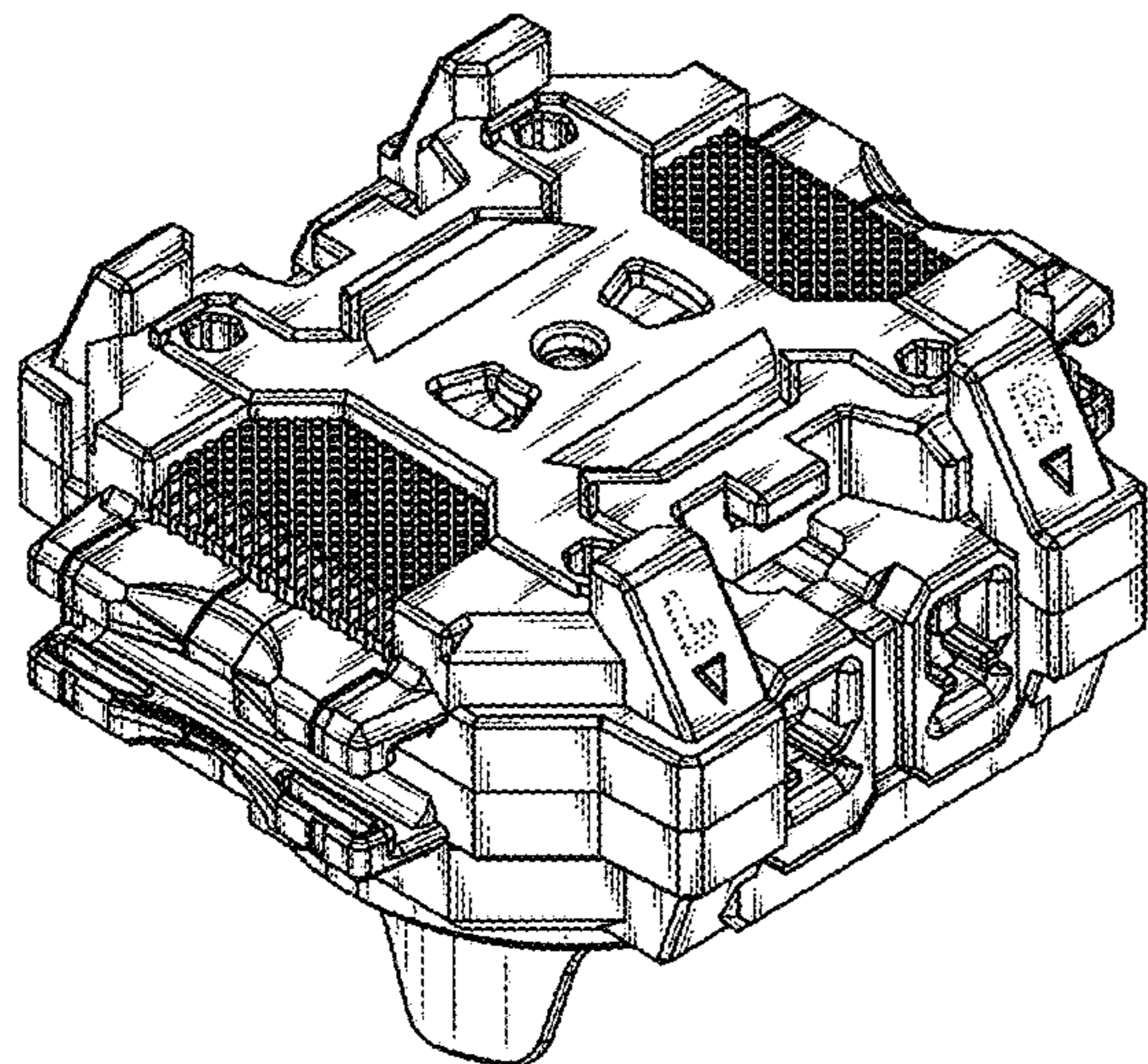
(57) **CLAIM**

The ornamental design for a launch apparatus for spinning top toy, as shown and described.

DESCRIPTION

FIG. 1 is a front view of the launch apparatus for spinning top toy showing my design;
FIG. 2 is a left side view thereof;
FIG. 3 is a rear view thereof;
FIG. 4 is a right side view thereof;
FIG. 5 is a top view thereof;
FIG. 6 is a bottom view thereof;
FIG. 7 is a front, top and right perspective view thereof; and,
FIG. 8 is a rear, left and bottom perspective view.
The portions of the launch apparatus for spinning top toy shown in broken lines form no part of the claimed design.

1 Claim, 8 Drawing Sheets



(56)

References Cited

FOREIGN PATENT DOCUMENTS

CN	301883427	*	4/2012	
CN	303648727	*	4/2016	
CN	303817131	*	8/2016	
JP	3160157	U *	6/2010 A63H 1/04
JP	3160658	U *	7/2010 A63H 1/04
JP	3164823	U *	12/2010 A63H 1/12
KR	300847434.0000	*	3/2016	

* cited by examiner

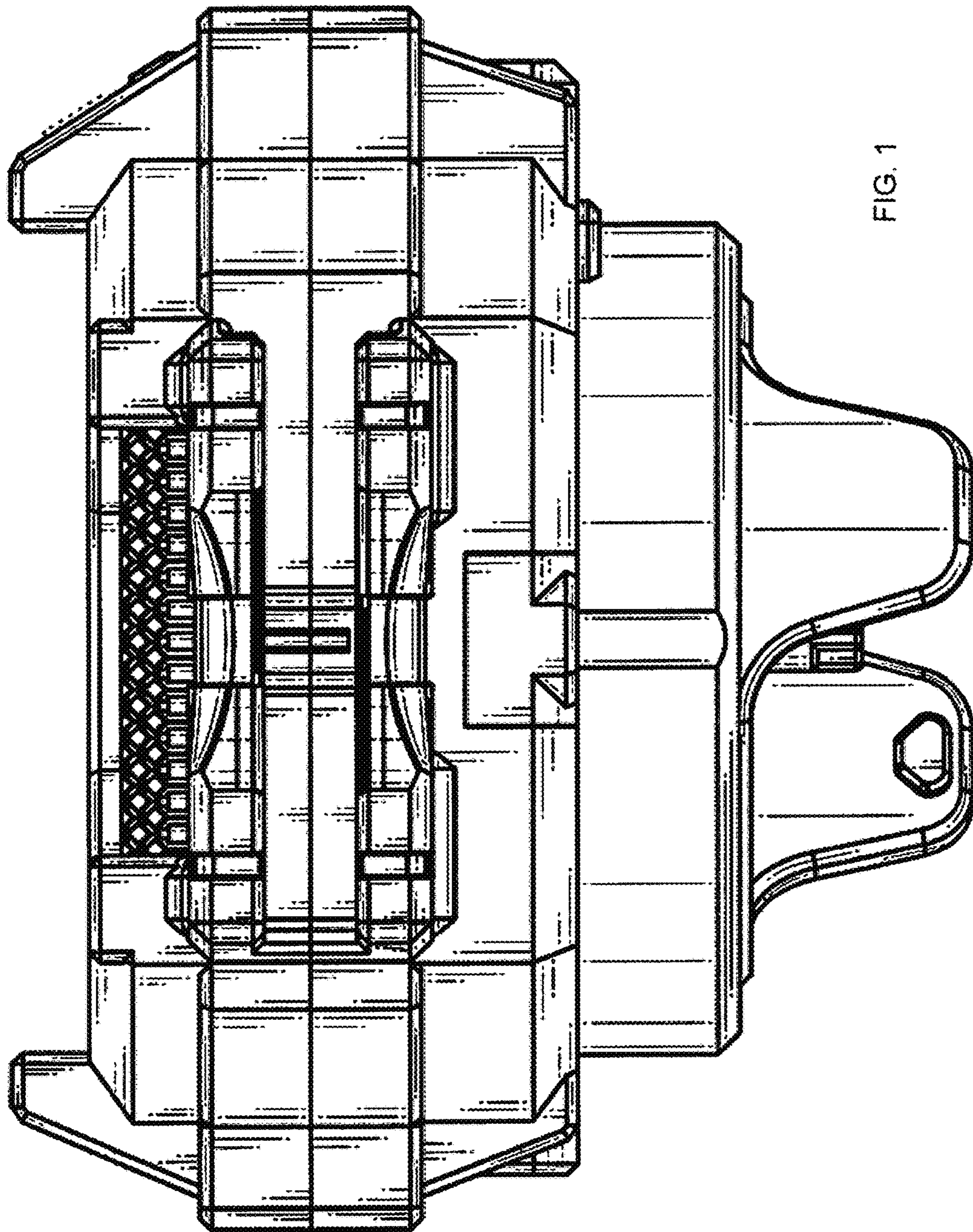


FIG. 1

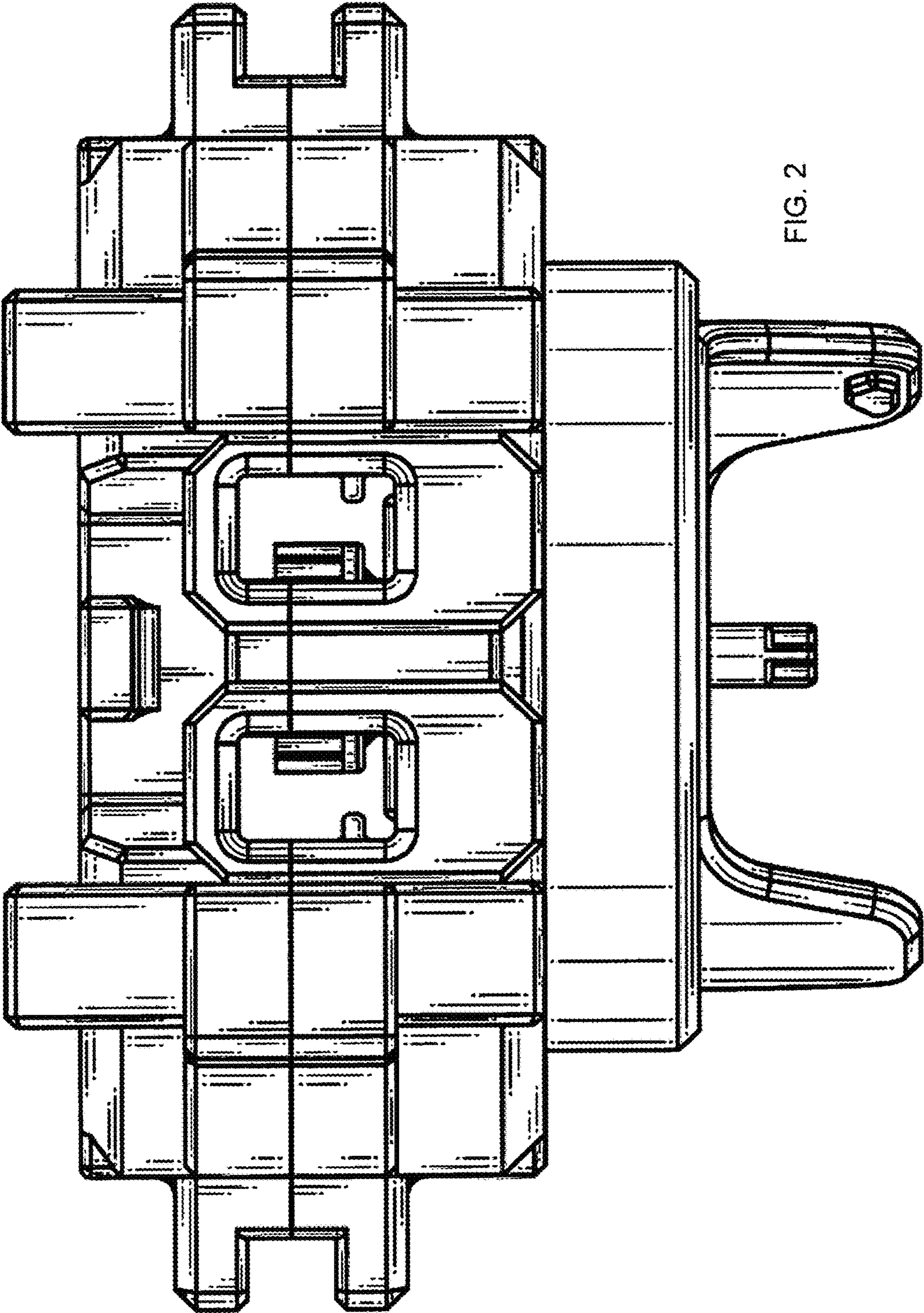
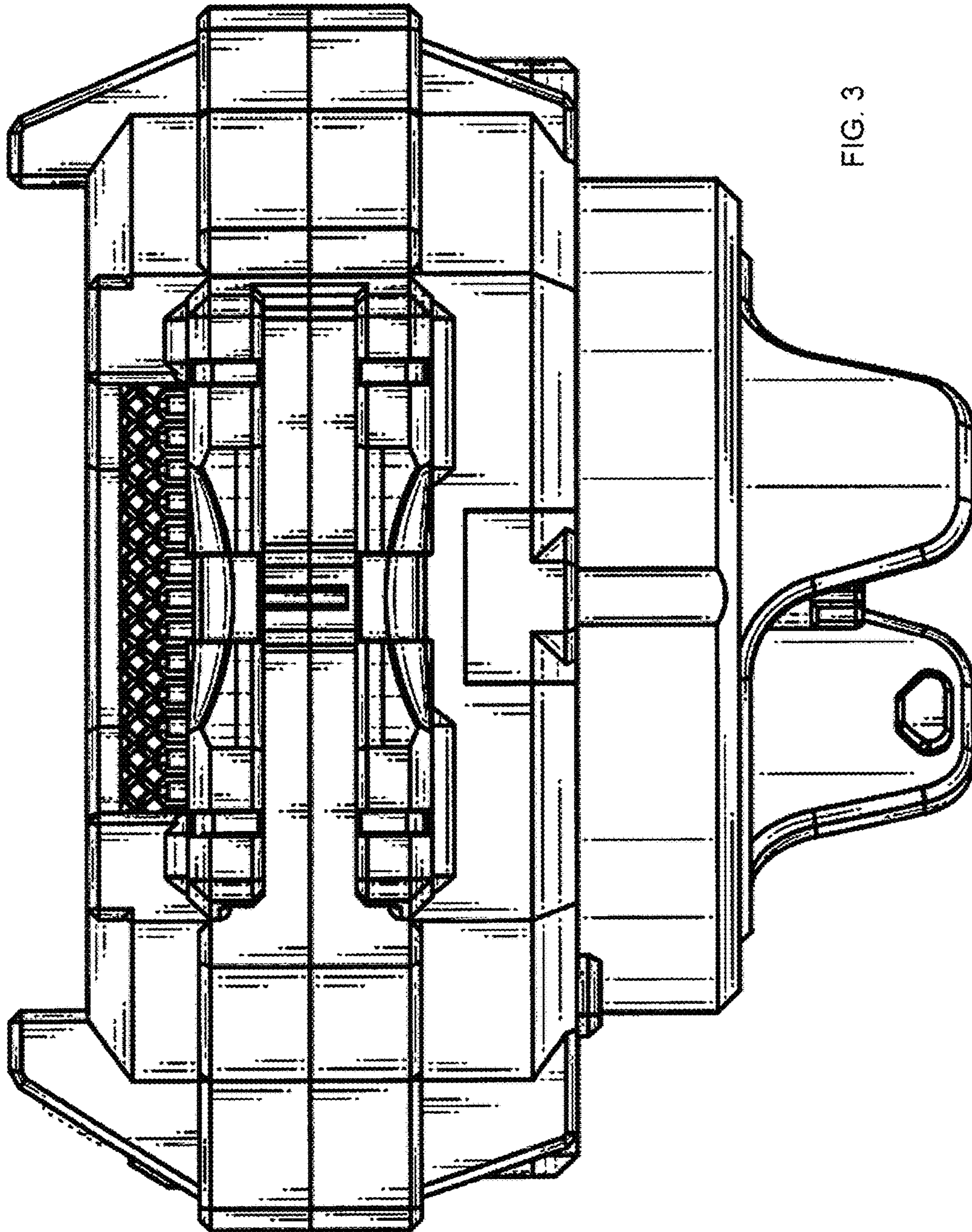


FIG. 2



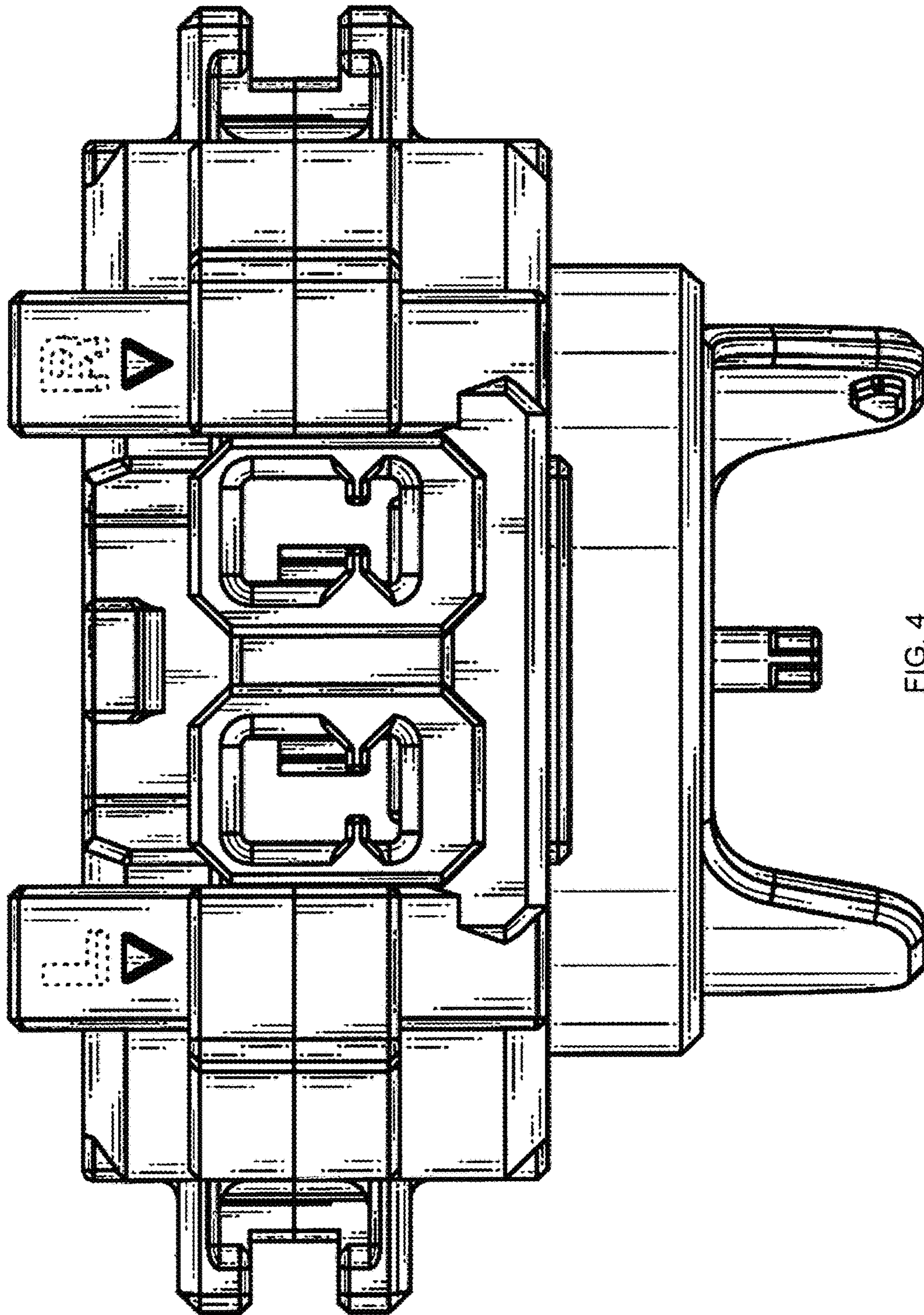


FIG. 4

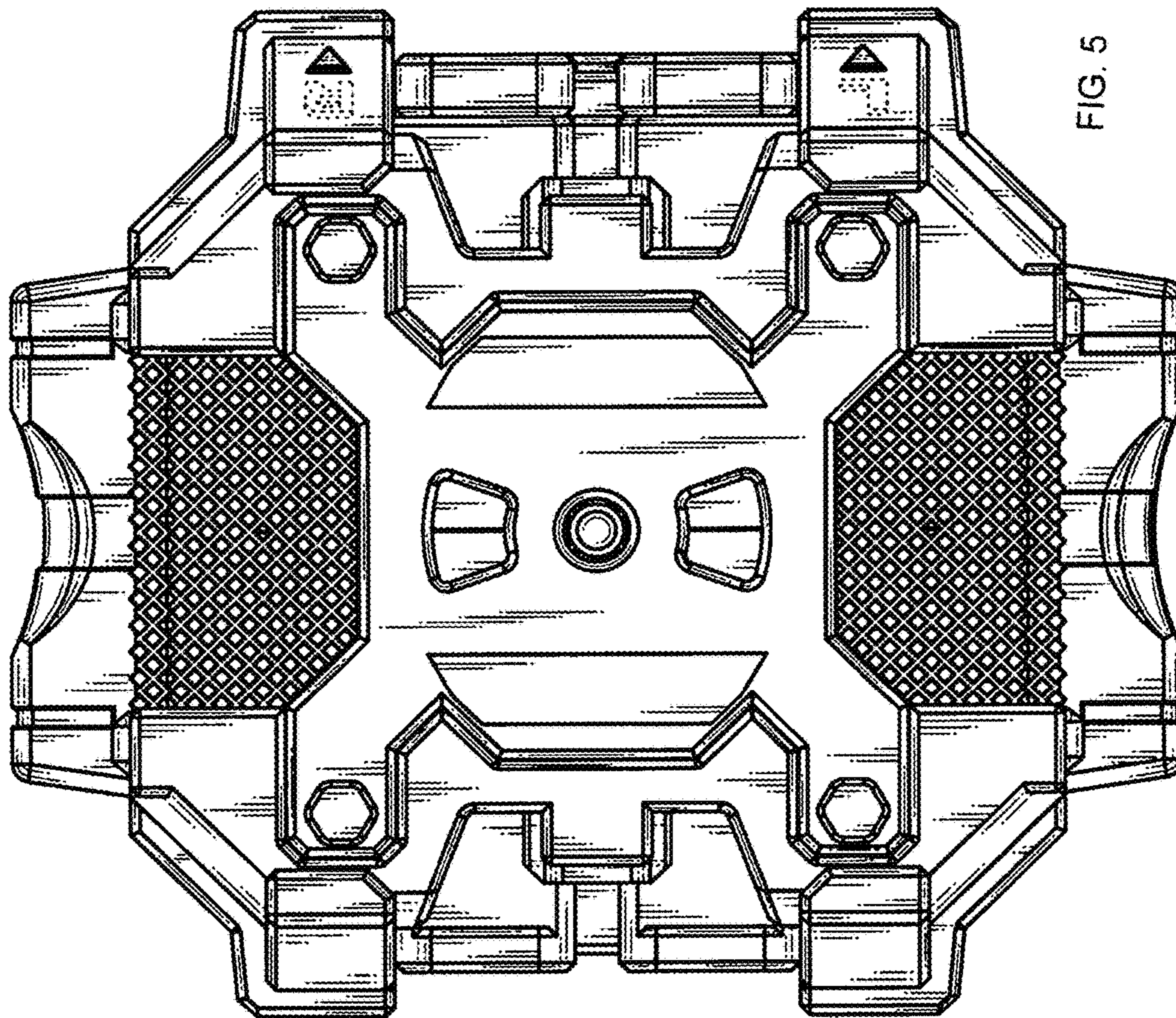


FIG. 5

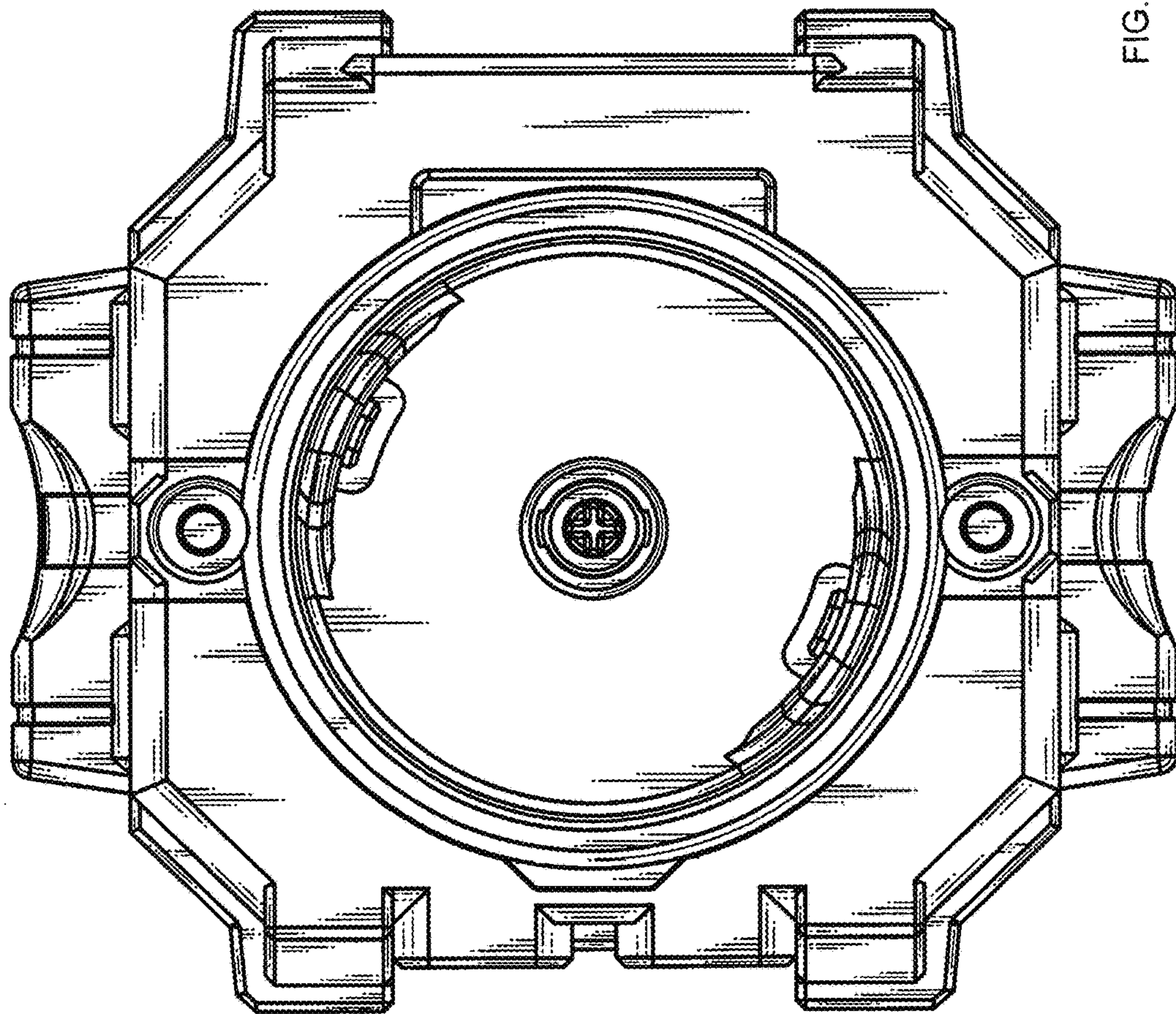


FIG. 6

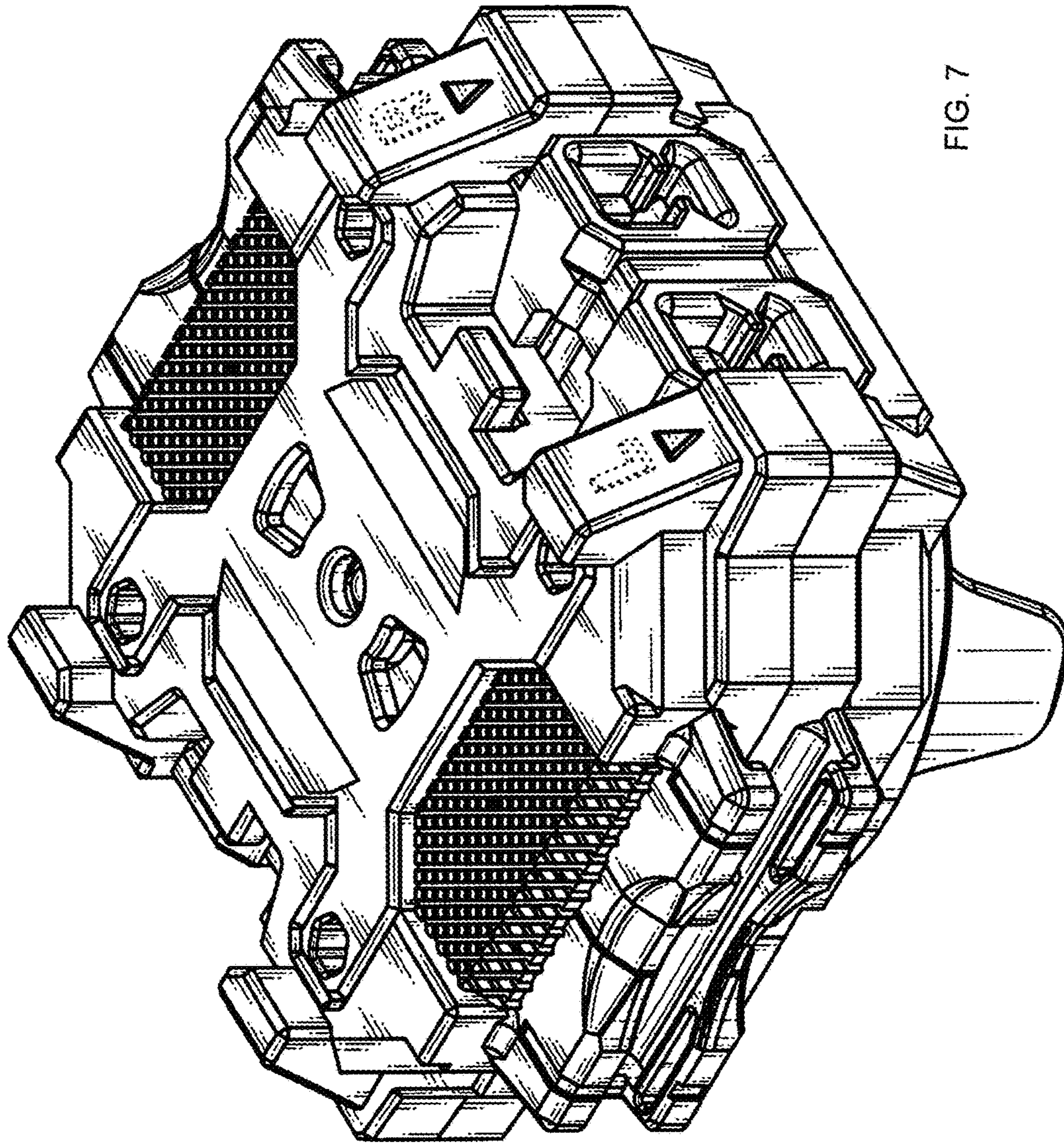


FIG. 7

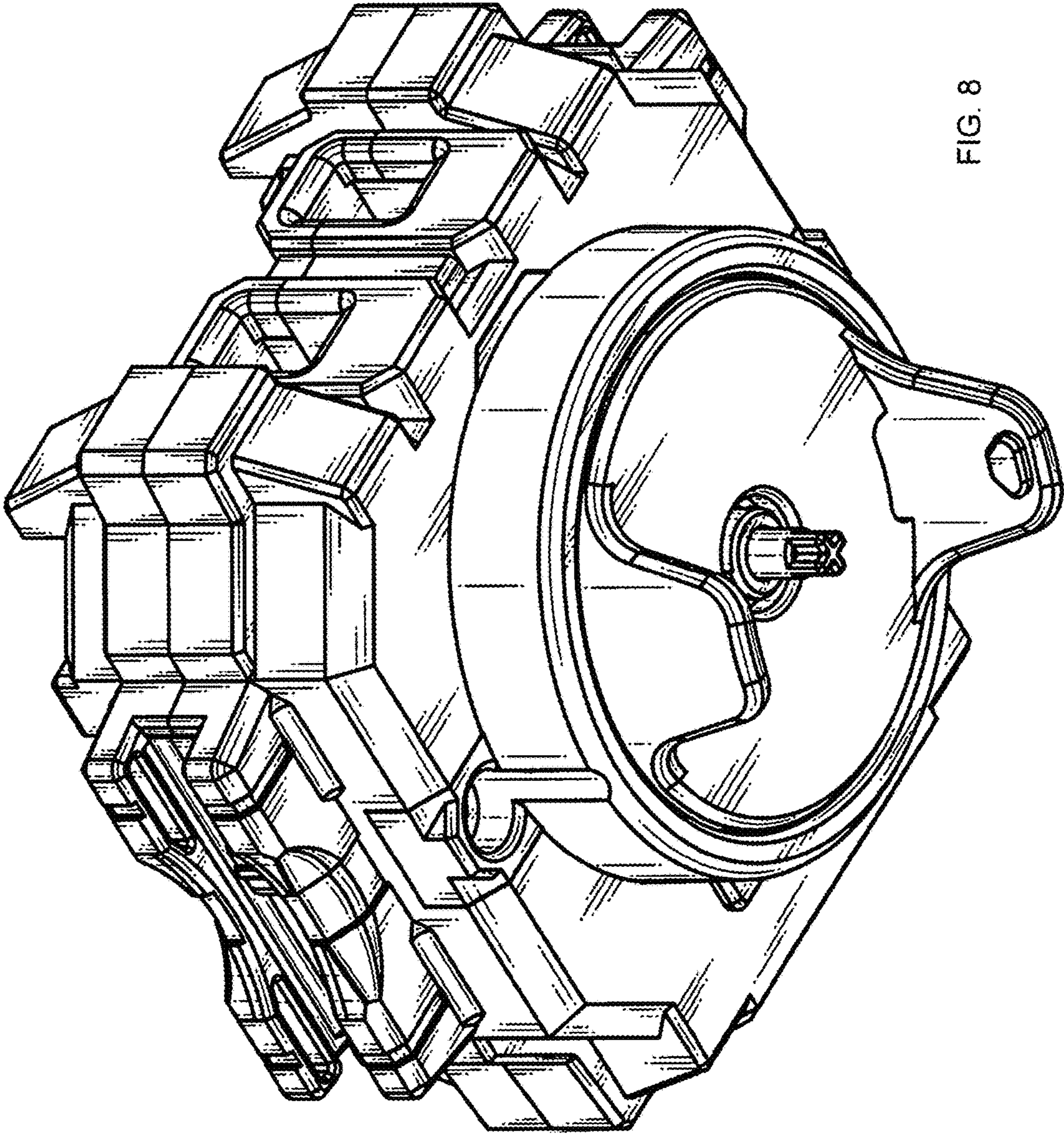


FIG. 8