



US00D825674S

(12) **United States Design Patent**  
**Horikoshi**

(10) **Patent No.:** **US D825,674 S**

(45) **Date of Patent:** **\*\* Aug. 14, 2018**

(54) **WINDER FOR LAUNCHING APPARATUS  
FOR SPINNING TOP TOY**

(71) Applicant: **TOMY COMPANY, LTD.**, Tokyo (JP)

(72) Inventor: **Kenji Horikoshi**, Tokyo (JP)

(73) Assignee: **TOMY COMPANY, LTD.**, Tokyo (JP)

(\*\*) Term: **15 Years**

(21) Appl. No.: **29/610,844**

(22) Filed: **Jul. 17, 2017**

(30) **Foreign Application Priority Data**

Feb. 7, 2017 (JP) ..... 2017-002107

(51) **LOC (11) Cl.** ..... **21-01**

(52) **U.S. Cl.**  
USPC ..... **D21/461**; D21/454; D21/463

(58) **Field of Classification Search**  
USPC ..... D21/435, 454, 455-464, 561, 566;  
446/235-266, 429, 430, 462  
CPC ... A63H 1/00; A63H 1/02; A63H 1/04; A63H  
1/12; A63H 27/14; A63H 29/20; A63H  
29/24; A63H 17/008

See application file for complete search history.

(56) **References Cited**

**U.S. PATENT DOCUMENTS**

3,701,216 A \* 10/1972 Smith ..... A63F 7/2472  
185/39  
D246,197 S \* 10/1977 Iwanami ..... D21/590  
D302,191 S \* 7/1989 Lakin ..... D21/461  
6,743,070 B1 \* 6/2004 Lin ..... A63H 1/02  
446/15  
D637,661 S \* 5/2011 Horikoshi ..... D21/453  
9,180,379 B2 \* 11/2015 Choi ..... A63H 1/04  
9,737,822 B2 \* 8/2017 Kubo ..... A63H 1/04

9,821,245 B2 \* 11/2017 Larsen ..... A63H 33/088  
2006/0099880 A1 \* 5/2006 Laurienzo ..... A63H 17/006  
446/247  
2010/0330876 A1 \* 12/2010 Carlson ..... A63H 17/26  
446/462  
2011/0097965 A1 \* 4/2011 Finlan ..... A63H 1/00  
446/263  
2012/0264351 A1 \* 10/2012 Ichikawa ..... A63H 29/20  
446/465  
2014/0106641 A1 \* 4/2014 Ichikawa ..... A63H 29/20  
446/236  
2015/0087200 A1 \* 3/2015 Hoeting ..... A63H 17/008  
446/462  
2016/0310854 A1 \* 10/2016 Kubo ..... A63H 1/04

**FOREIGN PATENT DOCUMENTS**

CA 2490441 A1 \* 6/2005 ..... A63H 1/04  
CA 2862620 A1 \* 11/2013 ..... A63H 1/26  
CA 2916065 A1 \* 1/2015 ..... A63H 1/02

(Continued)

*Primary Examiner* — Catherine A Tuttle

(74) *Attorney, Agent, or Firm* — Staas & Halsey LLP

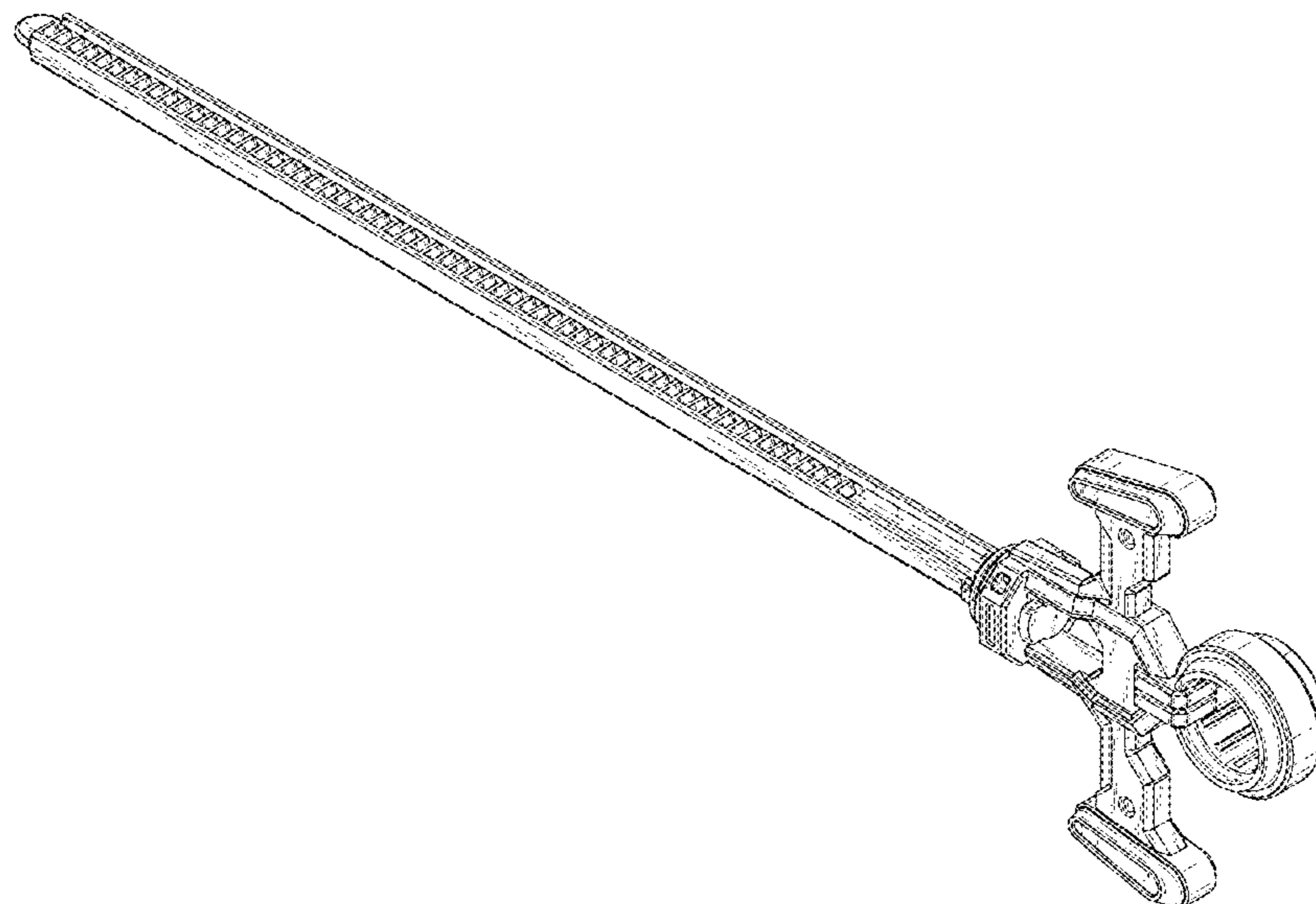
(57) **CLAIM**

The ornamental design for a winder for launching apparatus for spinning top toy, as shown.

**DESCRIPTION**

FIG. 1 is a front view of the winder for launching apparatus for spinning top toy showing my design;  
FIG. 2 is a left side view thereof;  
FIG. 3 is a rear view thereof;  
FIG. 4 is a right side view thereof;  
FIG. 5 is a top view thereof;  
FIG. 6 is a bottom view thereof;  
FIG. 7 is a front perspective view thereof; and,  
FIG. 8 is a rear perspective view.

**1 Claim, 8 Drawing Sheets**



(56)

## References Cited

## FOREIGN PATENT DOCUMENTS

CA	2920495	A1	*	2/2015	.....	A63H 1/04
CN	3480889		*	10/2005		
CN	300905278		*	4/2009		
CN	302044640		*	8/2012		
CN	302826432		*	5/2014		
CN	303533290		*	12/2015		
CN	303935241		*	11/2016		
CN	304554362		*	3/2018		
JP	D1148754		*	7/2002		
JP	D1194145		*	1/2004		
JP	3160658	U	*	7/2010	.....	A63H 1/04
JP	3164823	U	*	12/2010	.....	A63H 1/12
JP	6145206	B1	*	6/2017	.....	A63F 9/16
WO	WO-2012148779	A1	*	11/2012	.....	A63H 1/00
WO	WO-2015068270	A1	*	5/2015	.....	A63H 29/20
WO	D096791-002		*	1/2018		
WO	D096791-005		*	1/2018		

\* cited by examiner

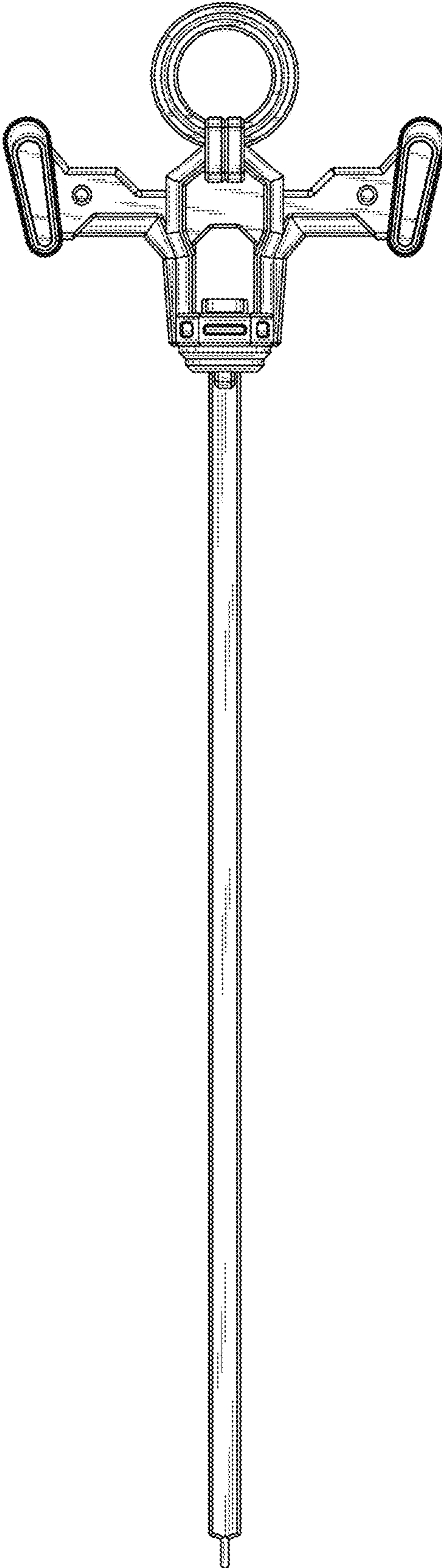


FIG. 1

FIG. 2

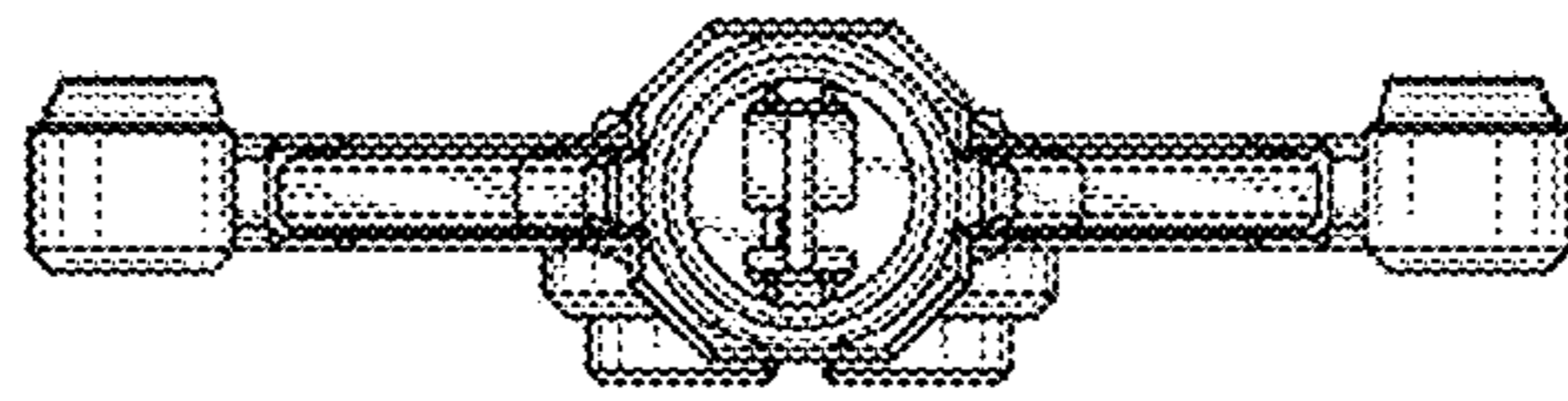


FIG. 3

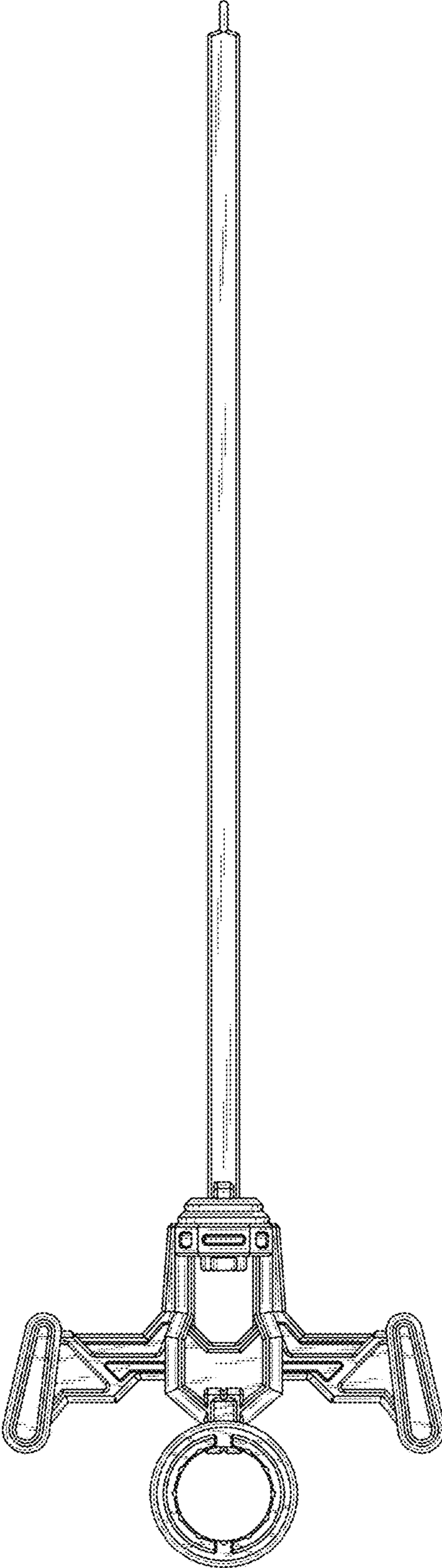


FIG. 4

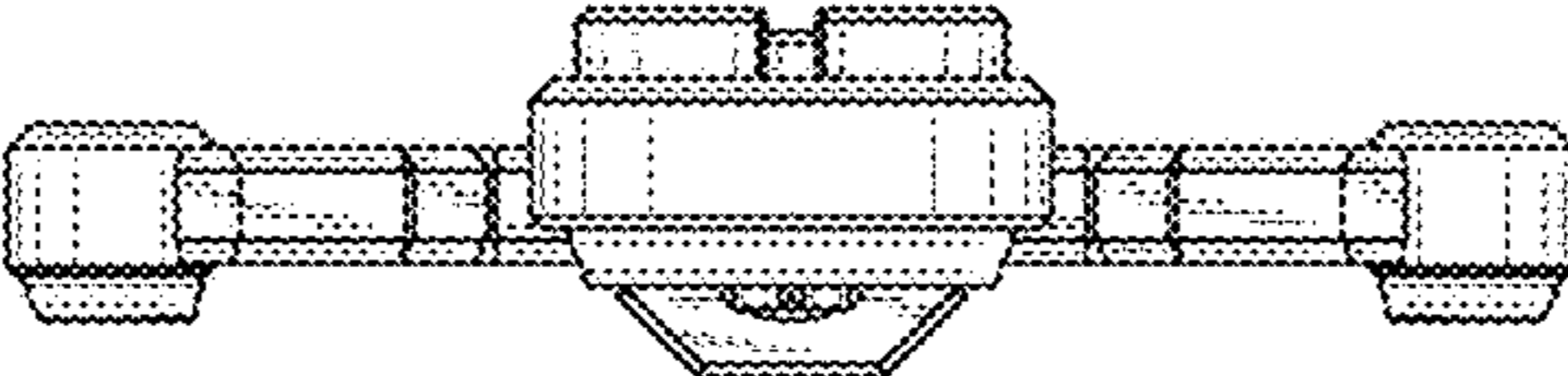


FIG. 5

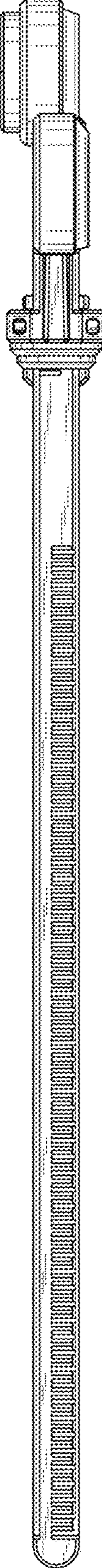


FIG. 6

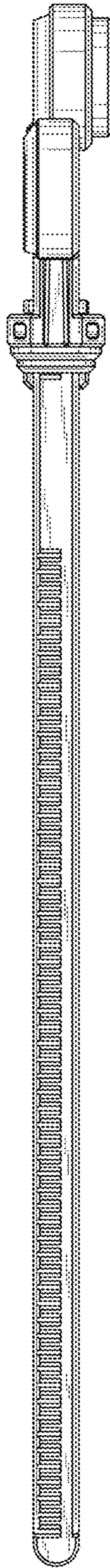




FIG. 7

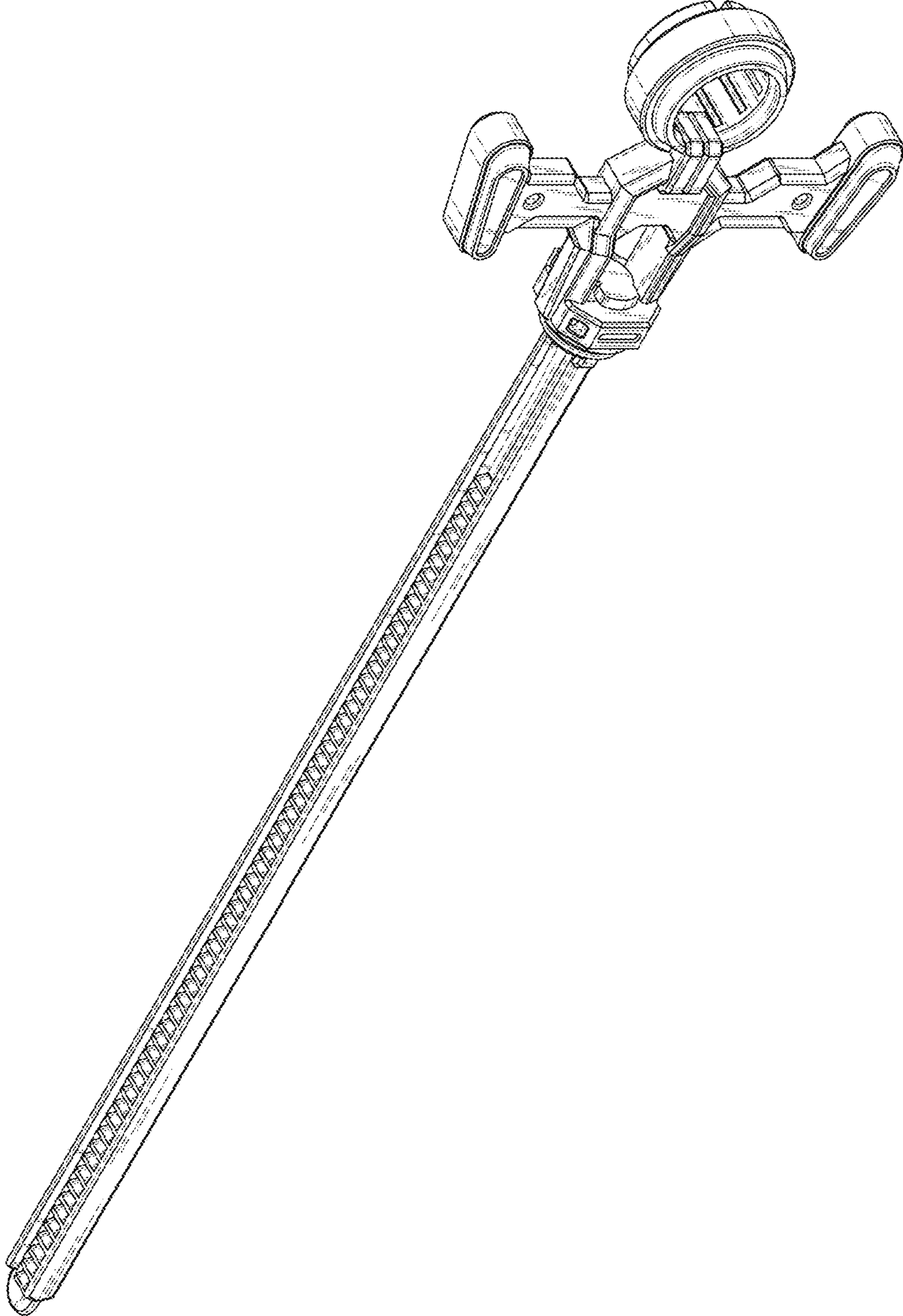


FIG. 8

