



US00D825673S

(12) **United States Design Patent** (10) **Patent No.:** **US D825,673 S**
Matsukawa (45) **Date of Patent:** **** Aug. 14, 2018**

(54) **SPINNING TOP TOY**
(71) Applicant: **TOMY COMPANY, LTD.**, Tokyo (JP)
(72) Inventor: **Hiroyuki Matsukawa**, Tokyo (JP)
(73) Assignee: **TOMY COMPANY, LTD.**, Tokyo (JP)
(**) Term: **15 Years**

D629,848 S * 12/2010 Ujita D21/460
D639,348 S * 6/2011 Ujita D21/460
D639,869 S * 6/2011 Nishimoto D21/460
D646,729 S * 10/2011 Ujita D21/460
D660,918 S * 5/2012 Ujita D21/460
D665,859 S * 8/2012 Horikoshi D21/460
D666,252 S * 8/2012 Ujita D21/460
D666,253 S * 8/2012 Ujita D21/460

(Continued)

(21) Appl. No.: **29/620,622**
(22) Filed: **Mar. 22, 2017**

(30) **Foreign Application Priority Data**

Oct. 14, 2016 (JP) 2016-022376

(51) **LOC (11) Cl.** **21-02**

(52) **U.S. Cl.**
USPC **D21/460**

(58) **Field of Classification Search**
USPC 446/34, 46-48, 217, 218, 235-245,
446/246-256, 257-266, 429, 430, 435,
446/450-453, 486, 487, 489-491;
D21/385, 390, 398, 436, 441-444,
D21/453-457, 458-464, 561-563, 578,
D21/585, 592; 273/147, 317
CPC A63H 1/00; A63H 1/04; A63H 1/22; A63F
9/16; A63F 5/041
See application file for complete search history.

(56) **References Cited**

U.S. PATENT DOCUMENTS

6,746,300 B1 * 6/2004 Matsukawa A63H 1/06
446/256
D608,842 S * 1/2010 Nishimoto D21/460
D614,245 S * 4/2010 Ujita D21/460
D615,134 S * 5/2010 Nishimoto D21/460
D615,602 S * 5/2010 Nishimoto D21/460
D629,051 S * 12/2010 Nishimoto D21/460
D629,468 S * 12/2010 Ujita D21/460
D629,469 S * 12/2010 Nishimoto D21/460
D629,847 S * 12/2010 Ujita D21/460

OTHER PUBLICATIONS

Amazon, "Beyblade Burst B-74 Starter . . ." Jun. 26, 2017.
https://www.amazon.com/Beyblade-Burst-Starter-Kreis-Satan-2G-Lp/dp/B06XG9P1BC/ref=pd_sim_21_6?_encoding=UTF8&psc=1&refRID=JR9EF41YF3TFGHZ59NF3. Shown on p. 1. (Year: 2017).*

Primary Examiner — Cynthia Ramirez
Assistant Examiner — Michael A Maharajh
(74) *Attorney, Agent, or Firm* — Staas & Halsey LLP

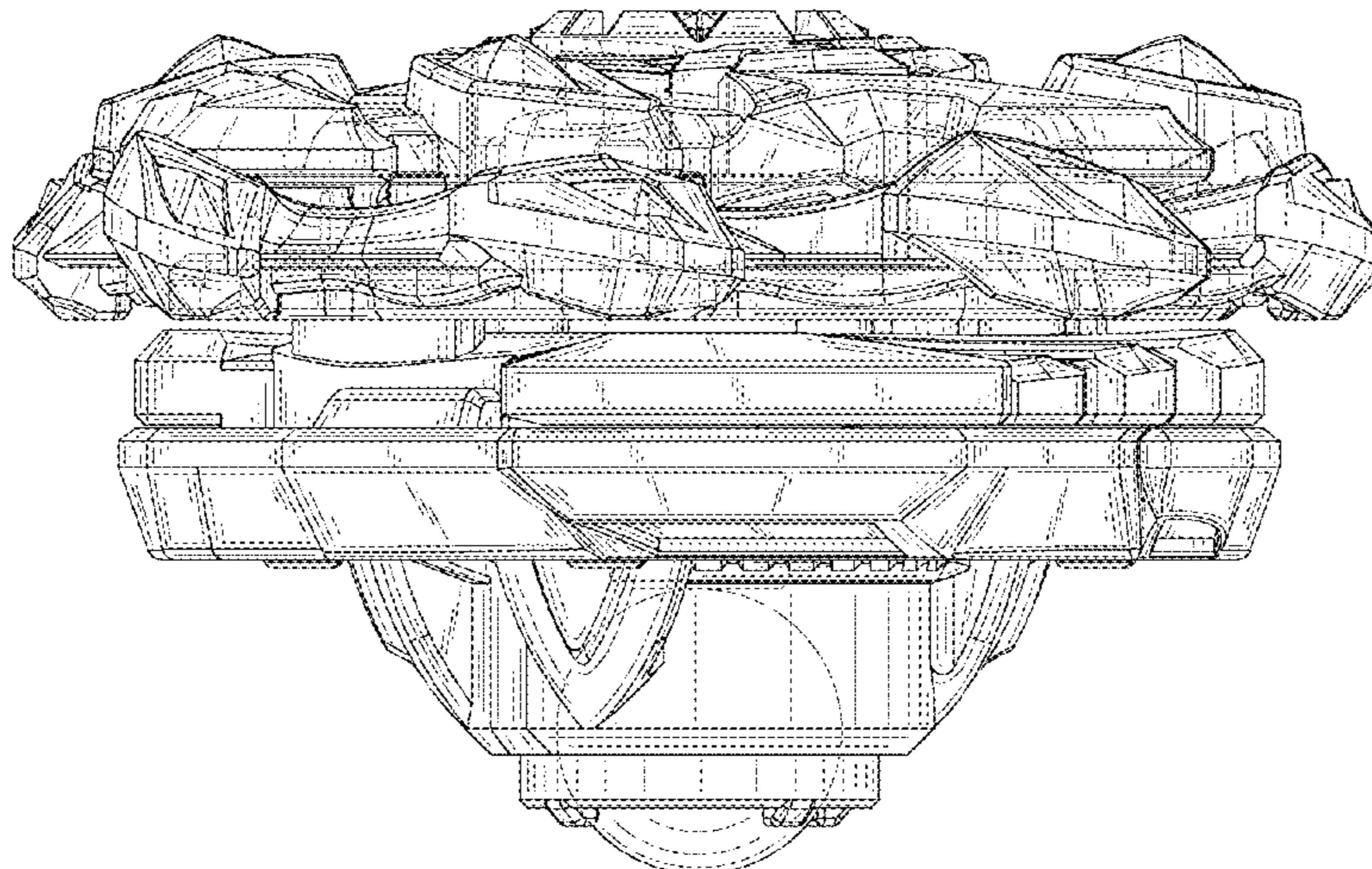
(57) **CLAIM**

The ornamental design for a spinning top toy, as shown and described.

DESCRIPTION

FIG. 1 is a front view of the spinning top toy showing my design;
FIG. 2 is a left side view thereof;
FIG. 3 is a rear view thereof;
FIG. 4 is a right side view thereof;
FIG. 5 is a top view thereof;
FIG. 6 is a bottom view thereof;
FIG. 7 is a perspective view thereof;
FIG. 8 is a side view showing only the transparent parts for convenience of illustration; and,
FIG. 9 is a top view of the uppermost transparent part, apart from the rest of the spinning top toy shown for convenience of illustration.

1 Claim, 9 Drawing Sheets



(56)

References Cited

U.S. PATENT DOCUMENTS

D667,894	S *	9/2012	Horikoshi	D21/460
9,566,529	B1 *	2/2017	Shindo	A63H 1/02
9,597,604	B1 *	3/2017	Horikoshi	A63H 1/02
9,737,821	B1 *	8/2017	Horikoshi	A63H 1/18
2011/0006479	A1 *	1/2011	Ujita	A63H 1/16
					273/147
2011/0256795	A1 *	10/2011	Ujita	A63H 1/00
					446/264
2011/0256796	A1 *	10/2011	Ujita	A63H 1/00
					446/264
2014/0302743	A1 *	10/2014	Cai	A63H 1/18
					446/256
2017/0203218	A1 *	7/2017	Muraki	A63H 1/00

* cited by examiner

FIG. 1

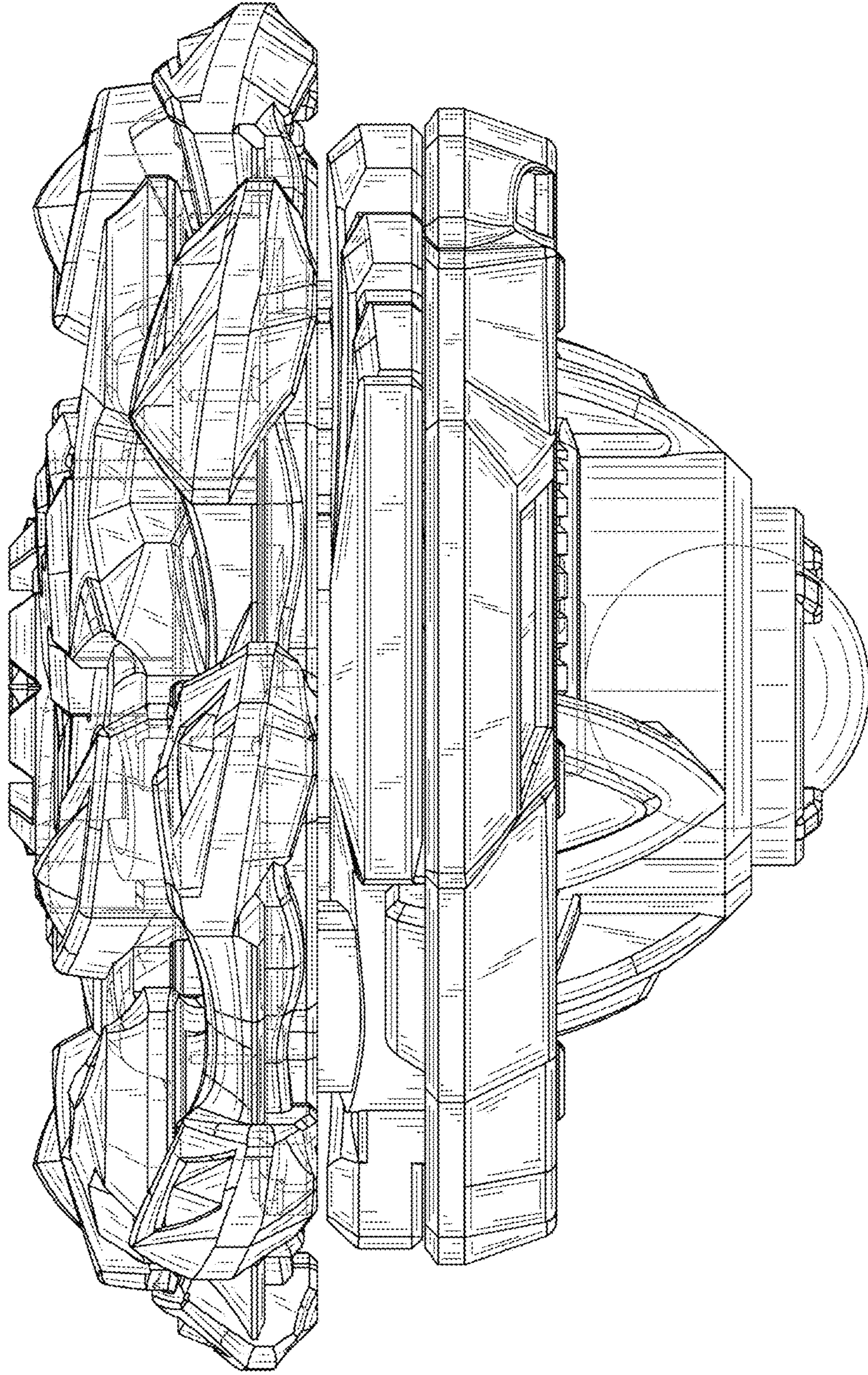


FIG. 2

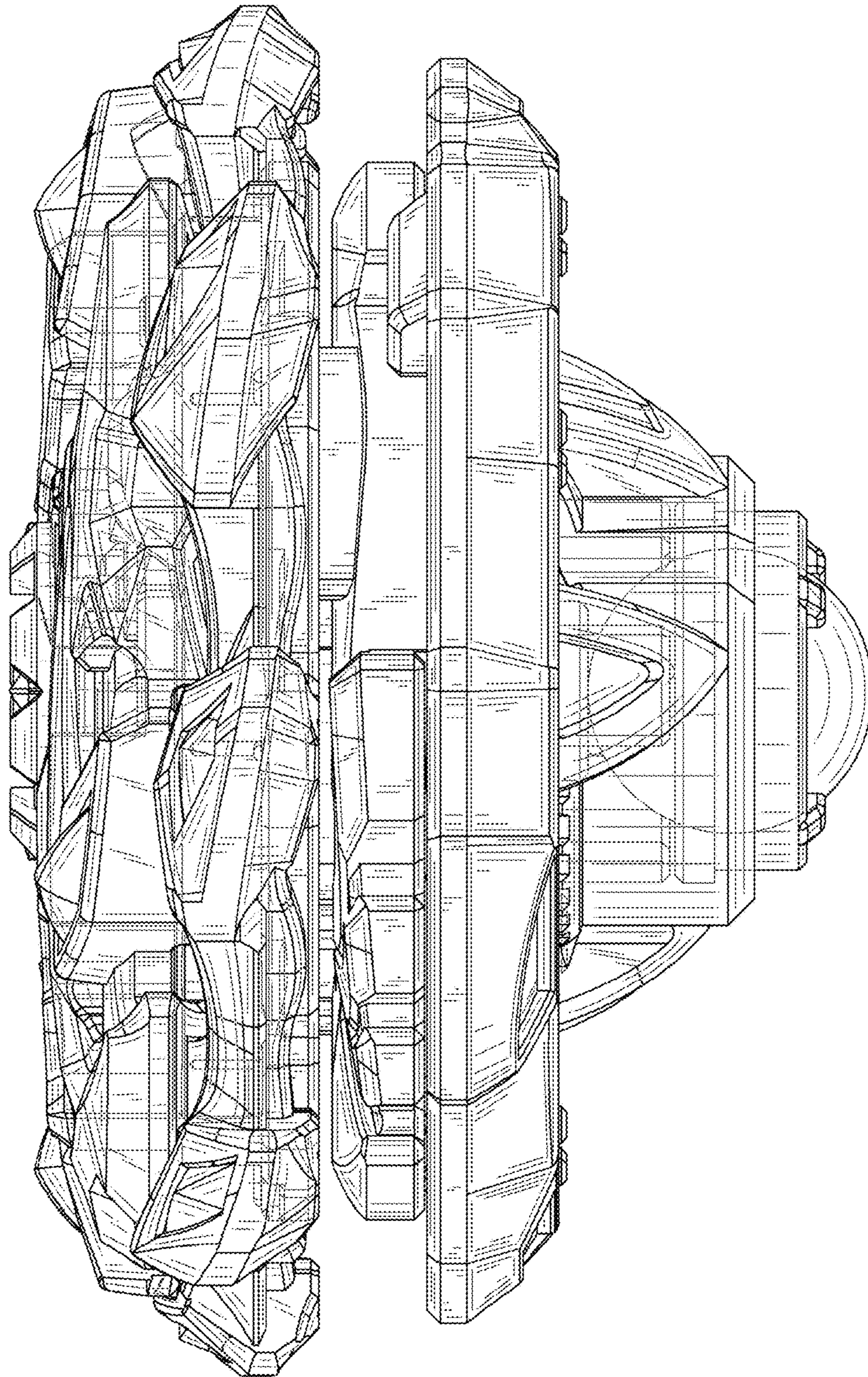


FIG. 3

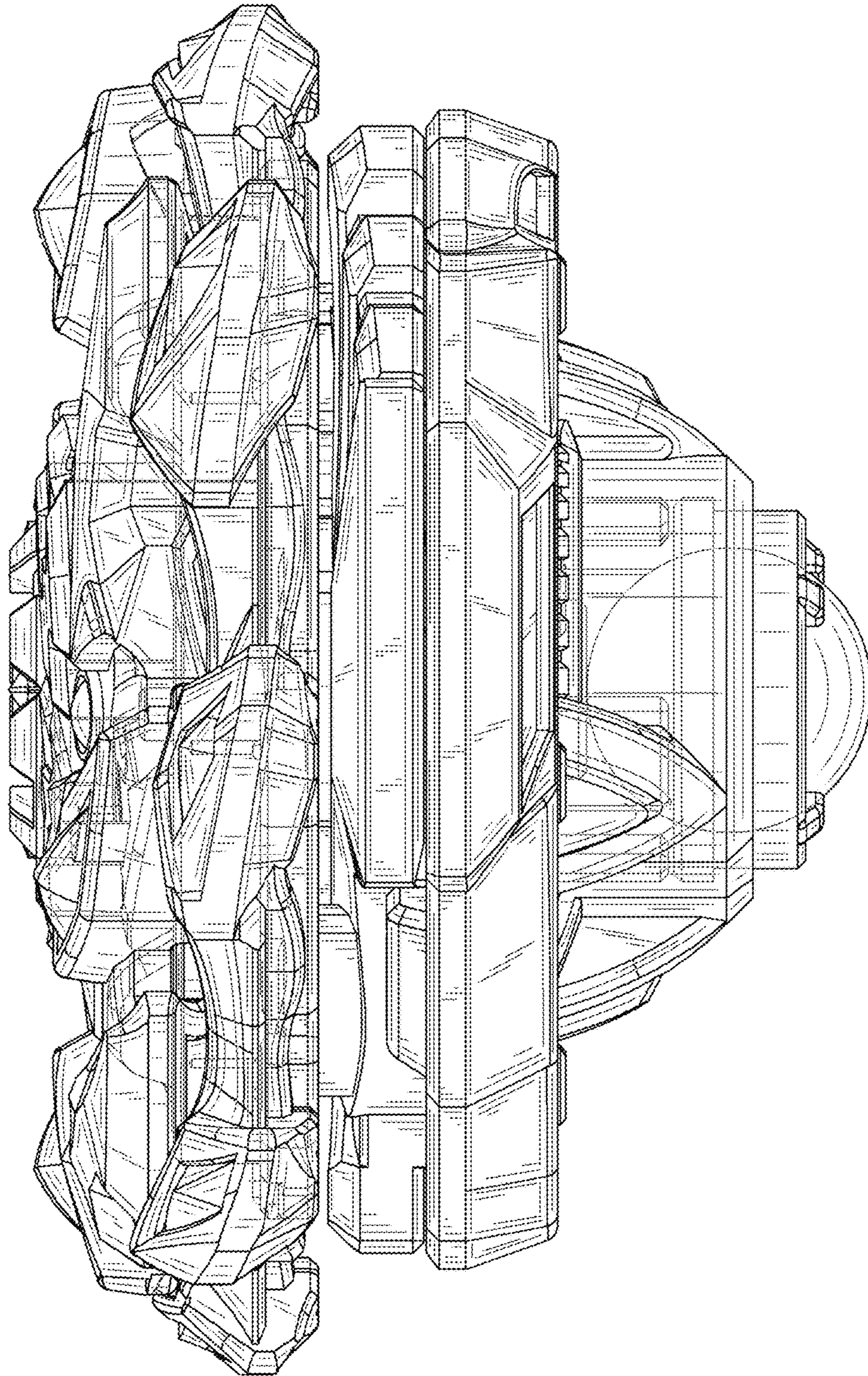
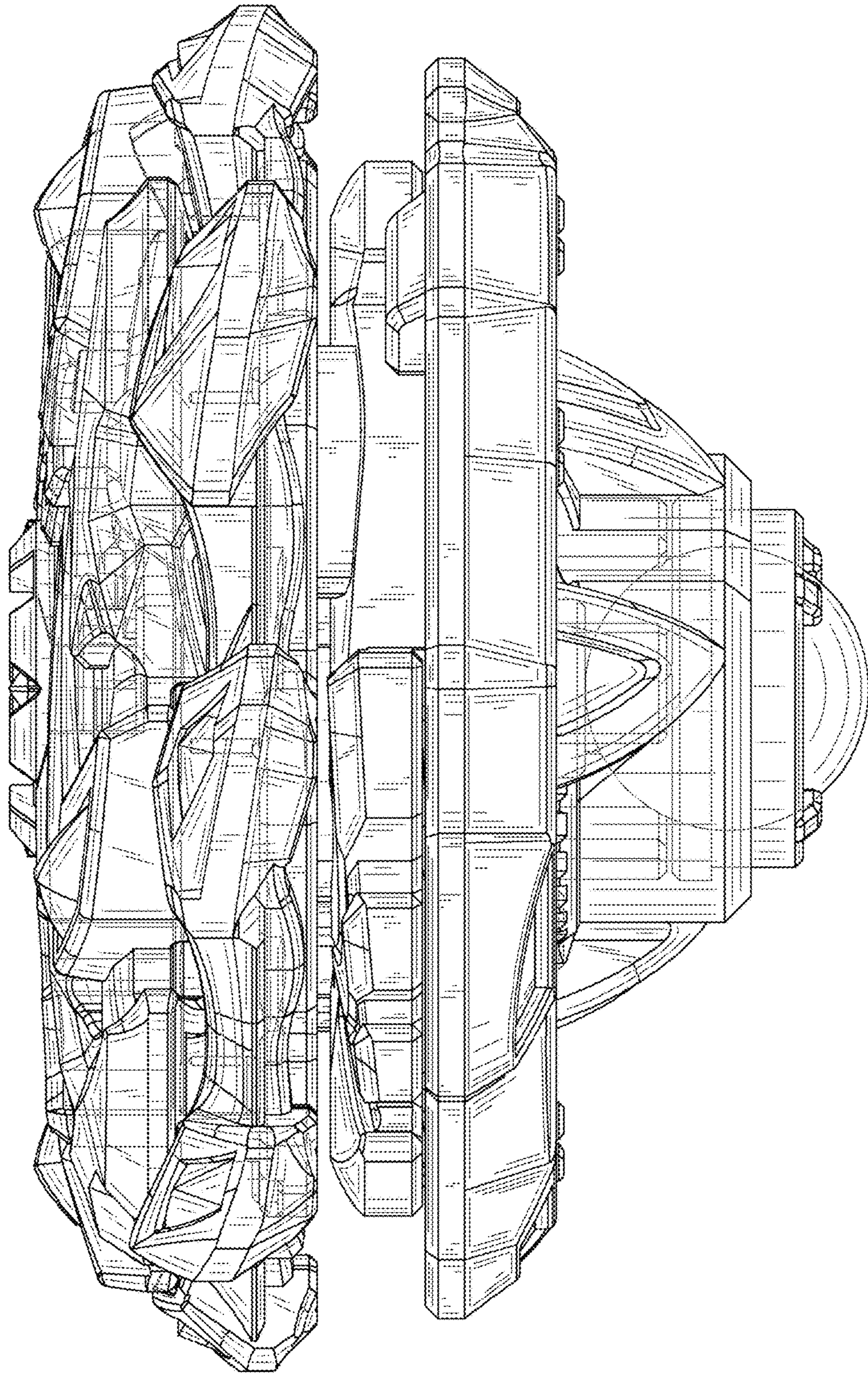


FIG. 4



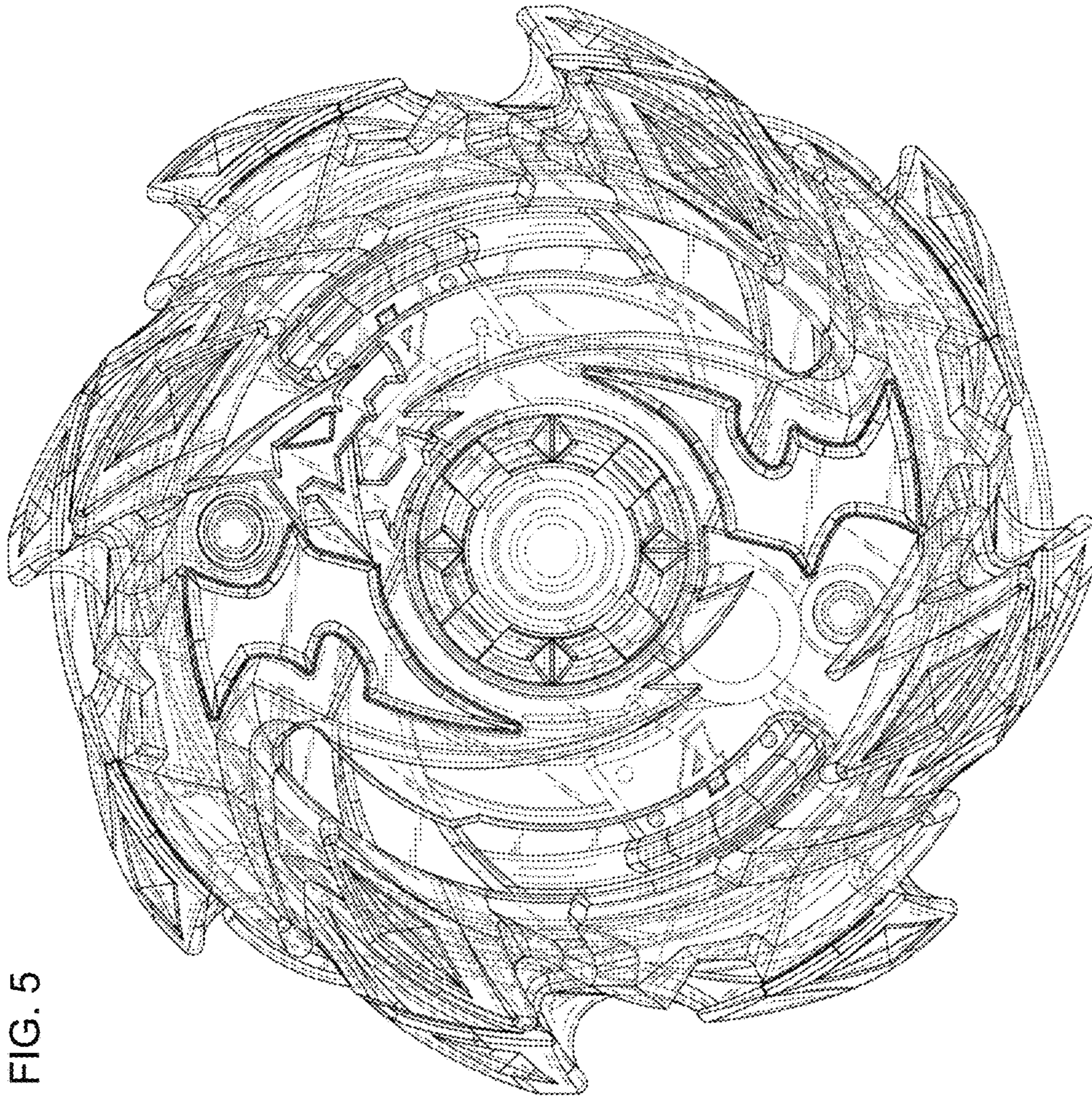


FIG. 5

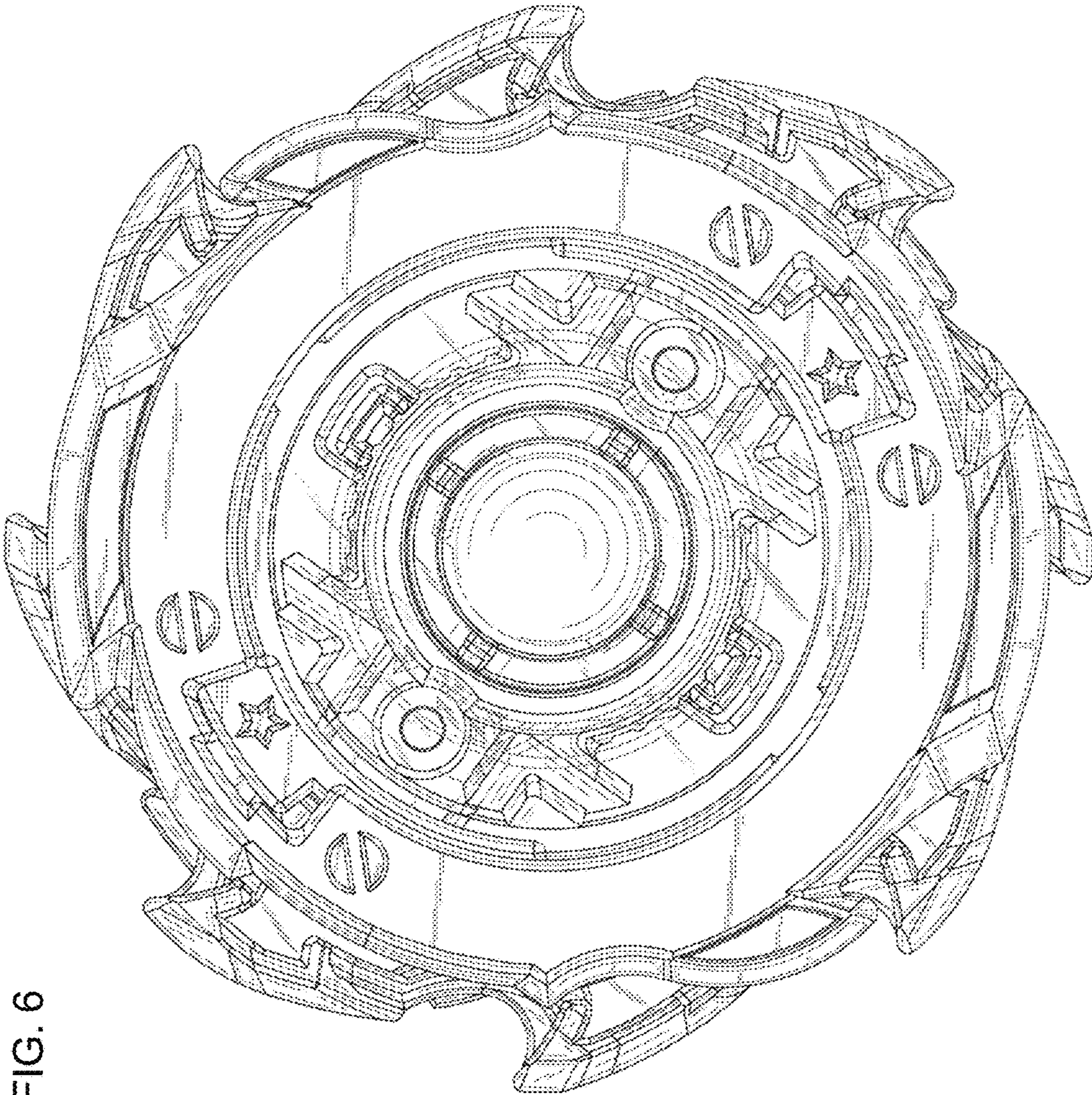


FIG. 6

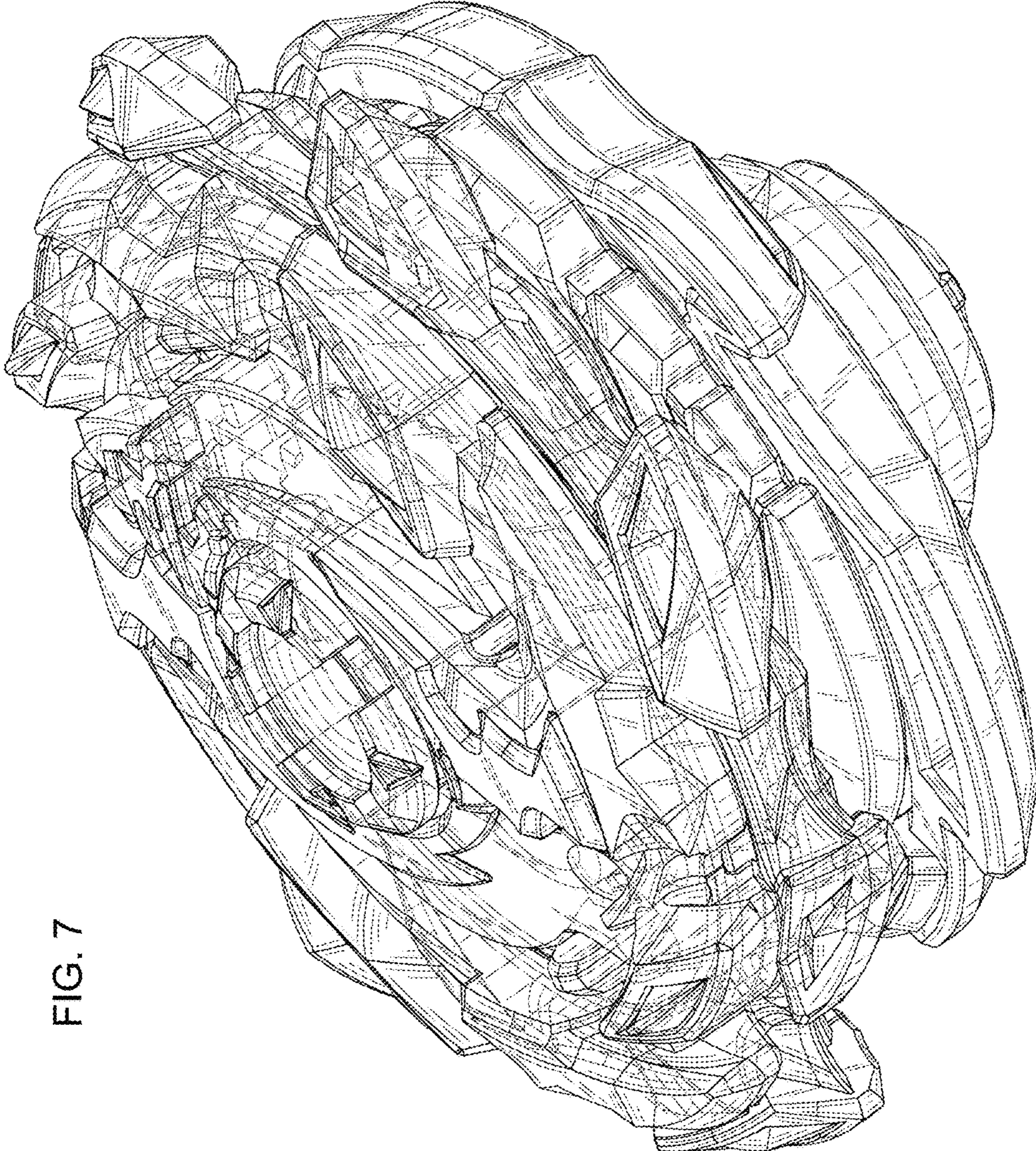
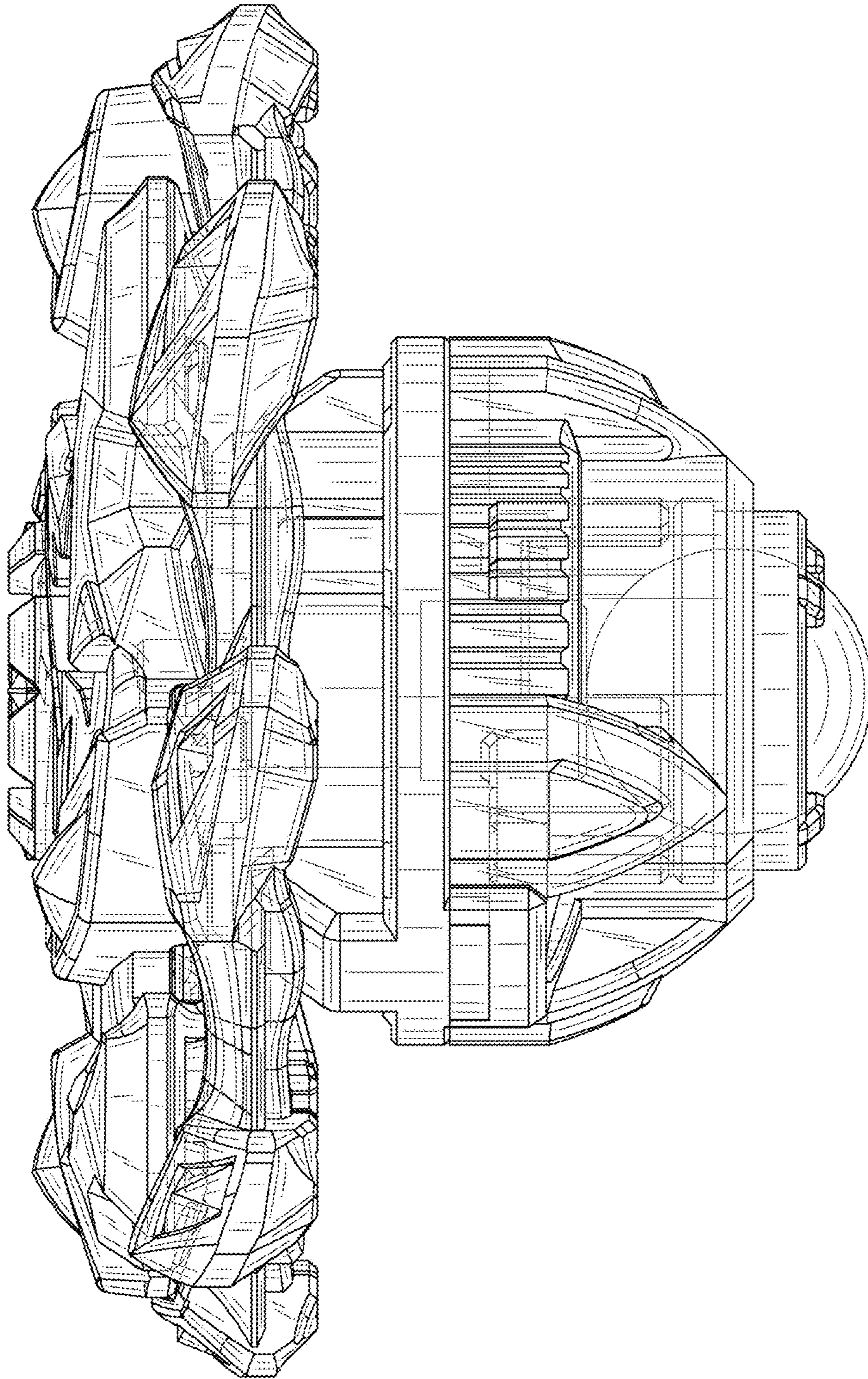


FIG. 7

FIG. 8



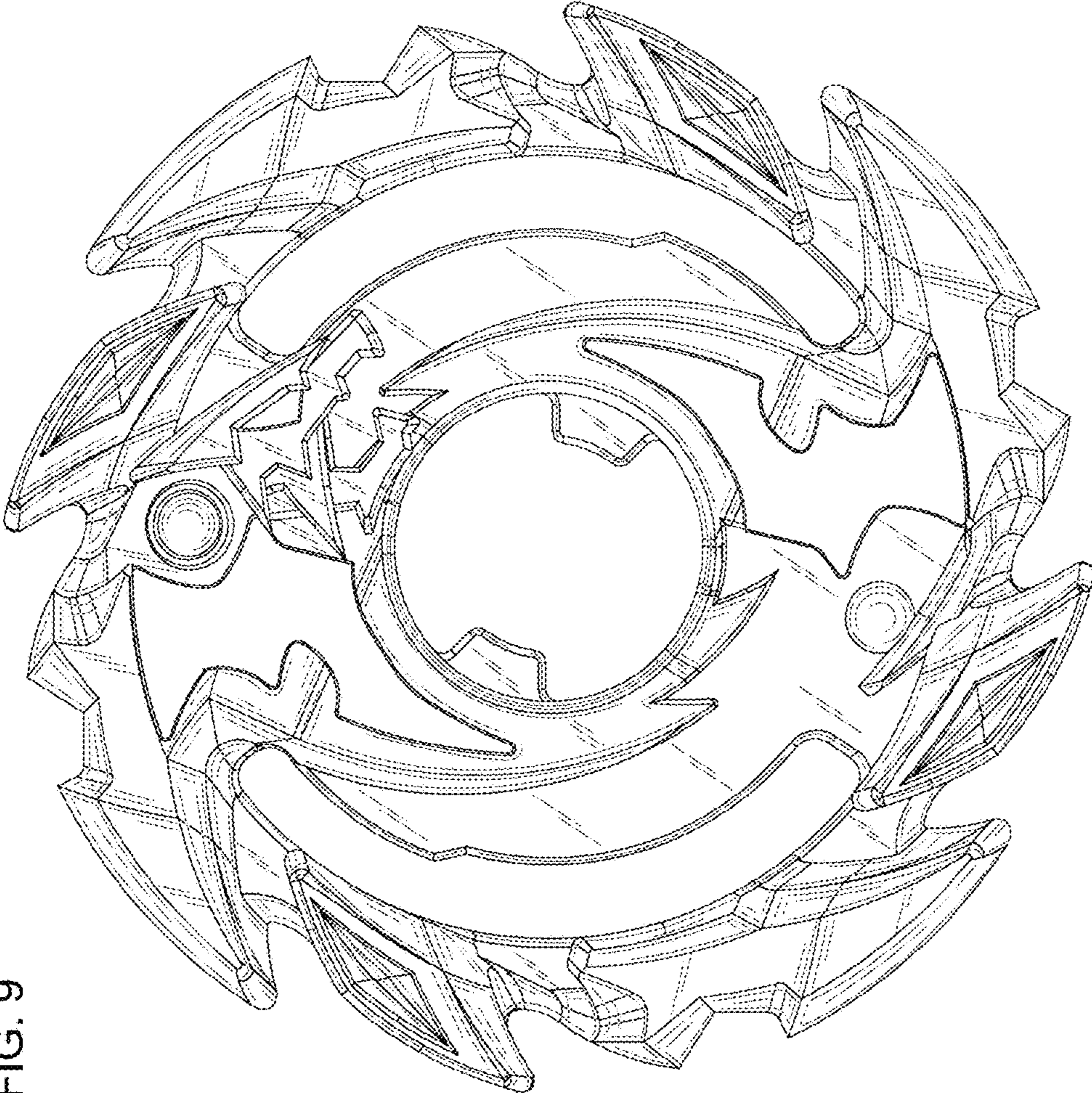


FIG. 9