



US00D825672S

(12) **United States Design Patent**  
**Muraki**

(10) **Patent No.:** **US D825,672 S**

(45) **Date of Patent:** **\*\* Aug. 14, 2018**

(54) **SPINNING TOP TOY**

(71) Applicant: **TOMY COMPANY, LTD.**, Tokyo (JP)

(72) Inventor: **Makoto Muraki**, Tokyo (JP)

(73) Assignee: **TOMY COMPANY, LTD.**, Tokyo (JP)

(\*\*) Term: **15 Years**

(21) Appl. No.: **29/620,621**

(22) Filed: **Mar. 22, 2017**

(30) **Foreign Application Priority Data**

Oct. 4, 2016 (JP) ..... 2016-021618

(51) **LOC (11) Cl.** ..... **21-01**

(52) **U.S. Cl.**  
USPC ..... **D21/460**

(58) **Field of Classification Search**  
USPC ..... 446/34, 46-48, 217, 218, 235-266, 429,  
446/430, 435, 450-453, 486, 487,  
446/489-491; D21/385, 390, 398, 436,  
D21/441-444, 453-464, 561-563, 578,  
D21/585, 592; 273/147, 317

CPC .... A63H 1/00; A63H 1/04; A63H 1/22; A63F  
9/16; A63F 5/041

See application file for complete search history.

(56) **References Cited**

**U.S. PATENT DOCUMENTS**

6,746,300 B1 *	6/2004	Matsukawa	.....	A63H 1/06 446/256
D608,842 S *	1/2010	Nishimoto	.....	D21/460
D614,245 S *	4/2010	Ujita	.....	D21/460
D615,134 S *	5/2010	Nishimoto	.....	D21/460
D615,602 S *	5/2010	Nishimoto	.....	D21/460
D629,051 S *	12/2010	Nishimoto	.....	D21/460
D629,468 S *	12/2010	Ujita	.....	D21/460
D629,469 S *	12/2010	Nishimoto	.....	D21/460
D629,847 S *	12/2010	Ujita	.....	D21/460

D629,848 S *	12/2010	Ujita	.....	D21/460
D639,348 S *	6/2011	Ujita	.....	D21/460
D639,869 S *	6/2011	Nishimoto	.....	D21/460
D646,729 S *	10/2011	Ujita	.....	D21/460
D660,918 S *	5/2012	Ujita	.....	D21/460
D665,859 S *	8/2012	Horikoshi	.....	D21/460
D666,252 S *	8/2012	Ujita	.....	D21/460
D666,253 S *	8/2012	Ujita	.....	D21/460
D667,894 S *	9/2012	Horikoshi	.....	D21/460

(Continued)

**OTHER PUBLICATIONS**

Amazon, "Takara Tomy Beyblade Burst", Sep. 16, 2017. [https://www.amazon.com/Takara-Tomy-Beyblade-Starter-Fafnir-8-Nt/dp/B06Y6LNFRZ/ref=cm\\_cr\\_ar\\_p\\_d\\_product\\_top?ie=UTF8](https://www.amazon.com/Takara-Tomy-Beyblade-Starter-Fafnir-8-Nt/dp/B06Y6LNFRZ/ref=cm_cr_ar_p_d_product_top?ie=UTF8). Shown on p. 1. (Year: 2017).\*

*Primary Examiner* — Cynthia Ramirez

*Assistant Examiner* — Michael A Maharajh

(74) *Attorney, Agent, or Firm* — Staas & Halsey LLP

(57) **CLAIM**

The ornamental design for a spinning top toy, as shown and described.

**DESCRIPTION**

FIG. 1 is a front view of the spinning top toy showing my design;

FIG. 2 is a left side view thereof;

FIG. 3 is a rear view thereof;

FIG. 4 is a right side view thereof;

FIG. 5 is a top view thereof;

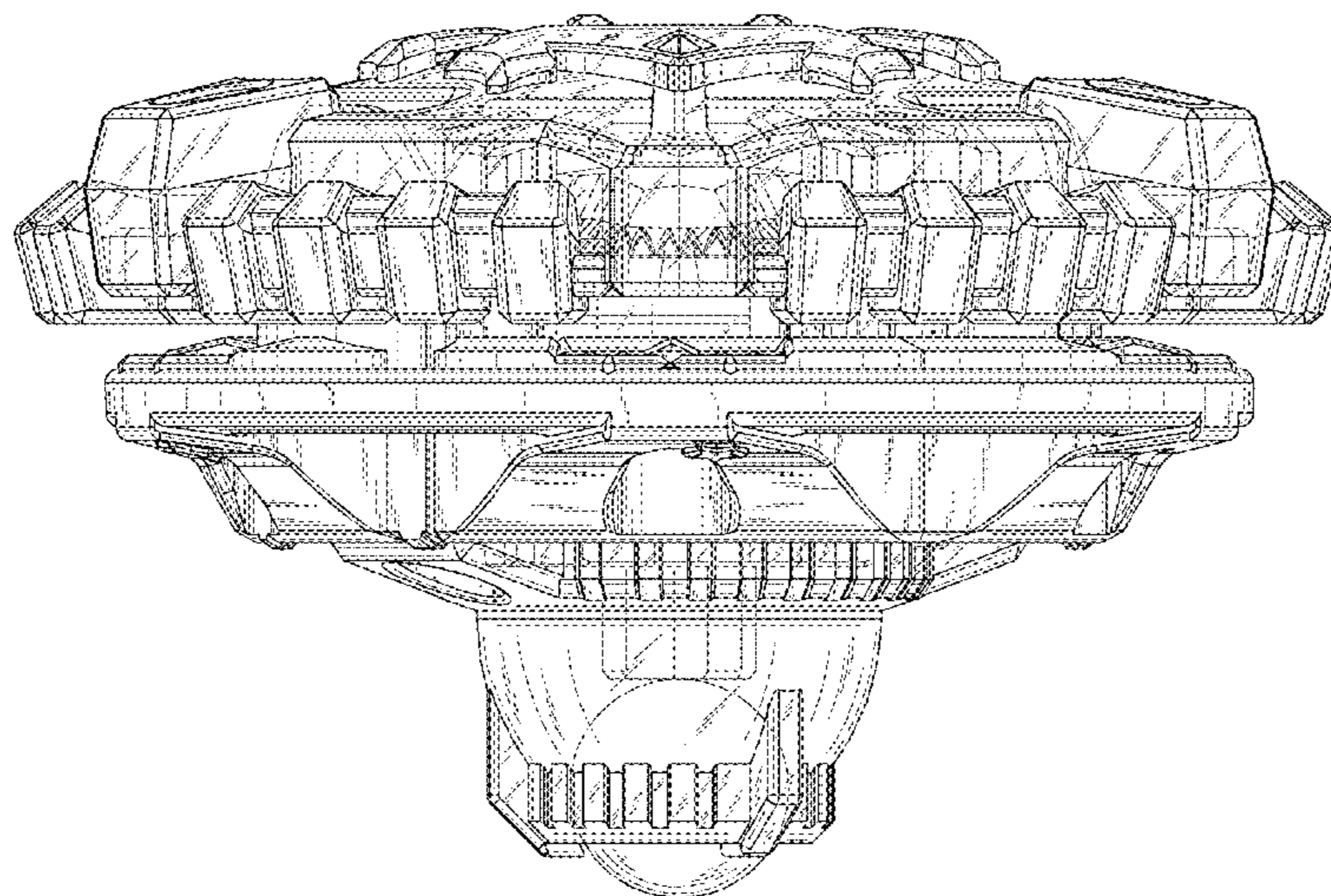
FIG. 6 is a bottom view thereof;

FIG. 7 is a perspective view thereof;

FIG. 8 is a side view showing only the transparent parts for convenience of illustration; and,

FIG. 9 is a top view of the uppermost transparent part, apart from the rest of the spinning top toy shown for convenience of illustration.

**1 Claim, 9 Drawing Sheets**



(56)

**References Cited**

U.S. PATENT DOCUMENTS

9,566,529	B1 *	2/2017	Shindo .....	A63H 1/02
9,597,604	B1 *	3/2017	Horikoshi .....	A63H 1/02
9,737,821	B1 *	8/2017	Horikoshi .....	A63H 1/18
2011/0006479	A1 *	1/2011	Ujita .....	A63H 1/16
				273/147
2011/0256795	A1 *	10/2011	Ujita .....	A63H 1/00
				446/264
2011/0256796	A1 *	10/2011	Ujita .....	A63H 1/00
				446/264
2014/0302743	A1 *	10/2014	Cai .....	A63H 1/18
				446/256
2017/0203218	A1 *	7/2017	Muraki .....	A63H 1/00

\* cited by examiner

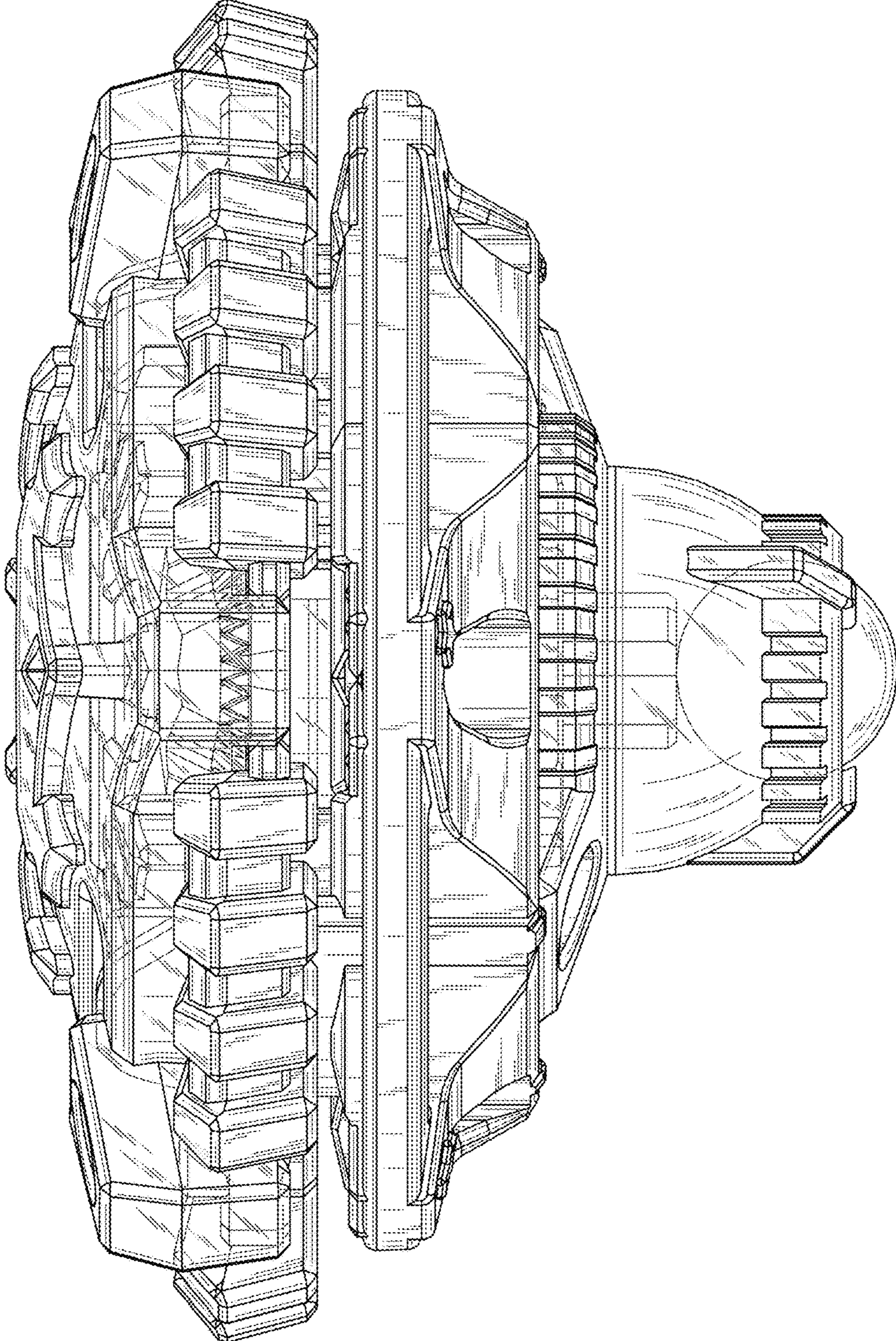


FIG. 1

FIG. 2

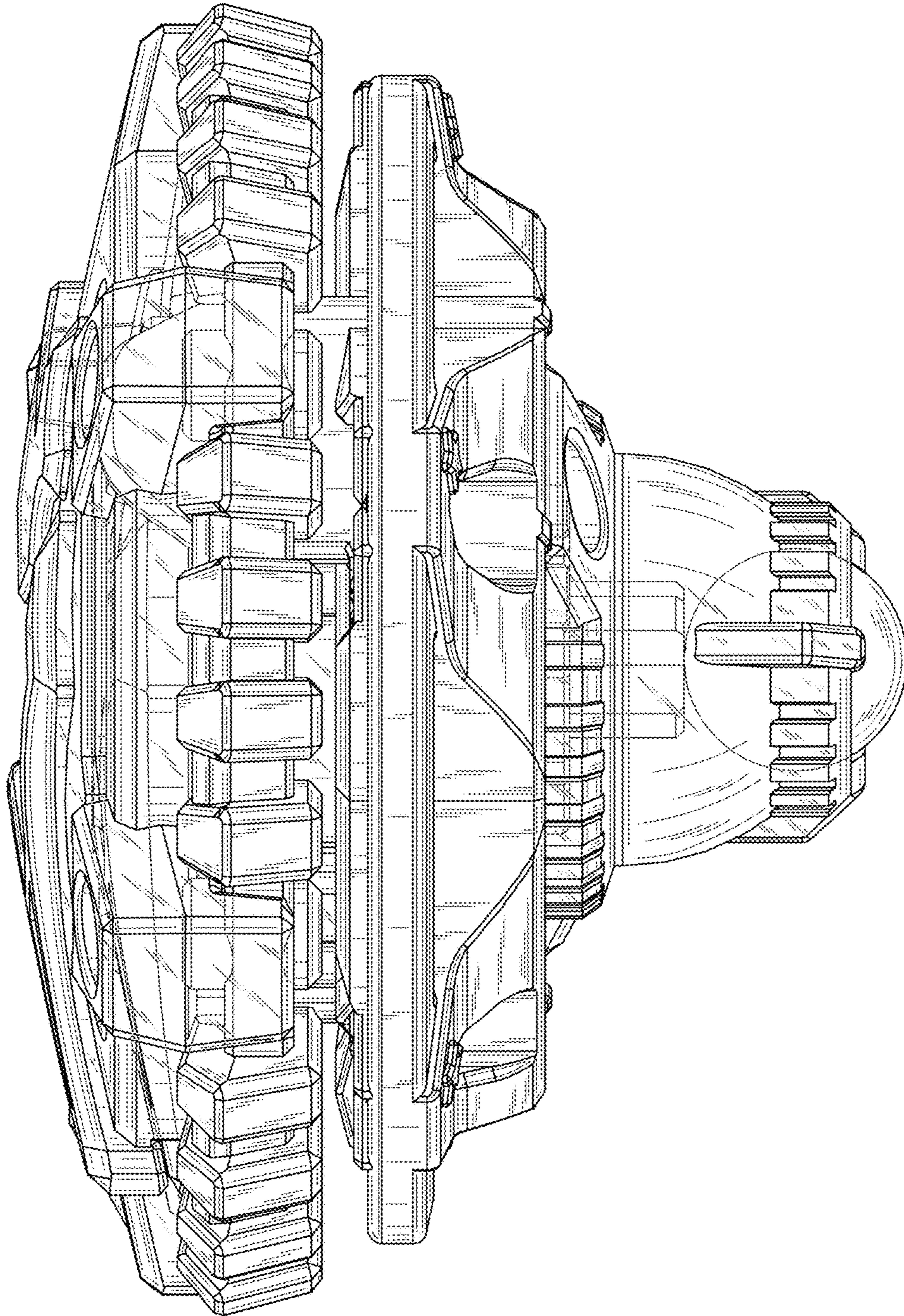


FIG. 3

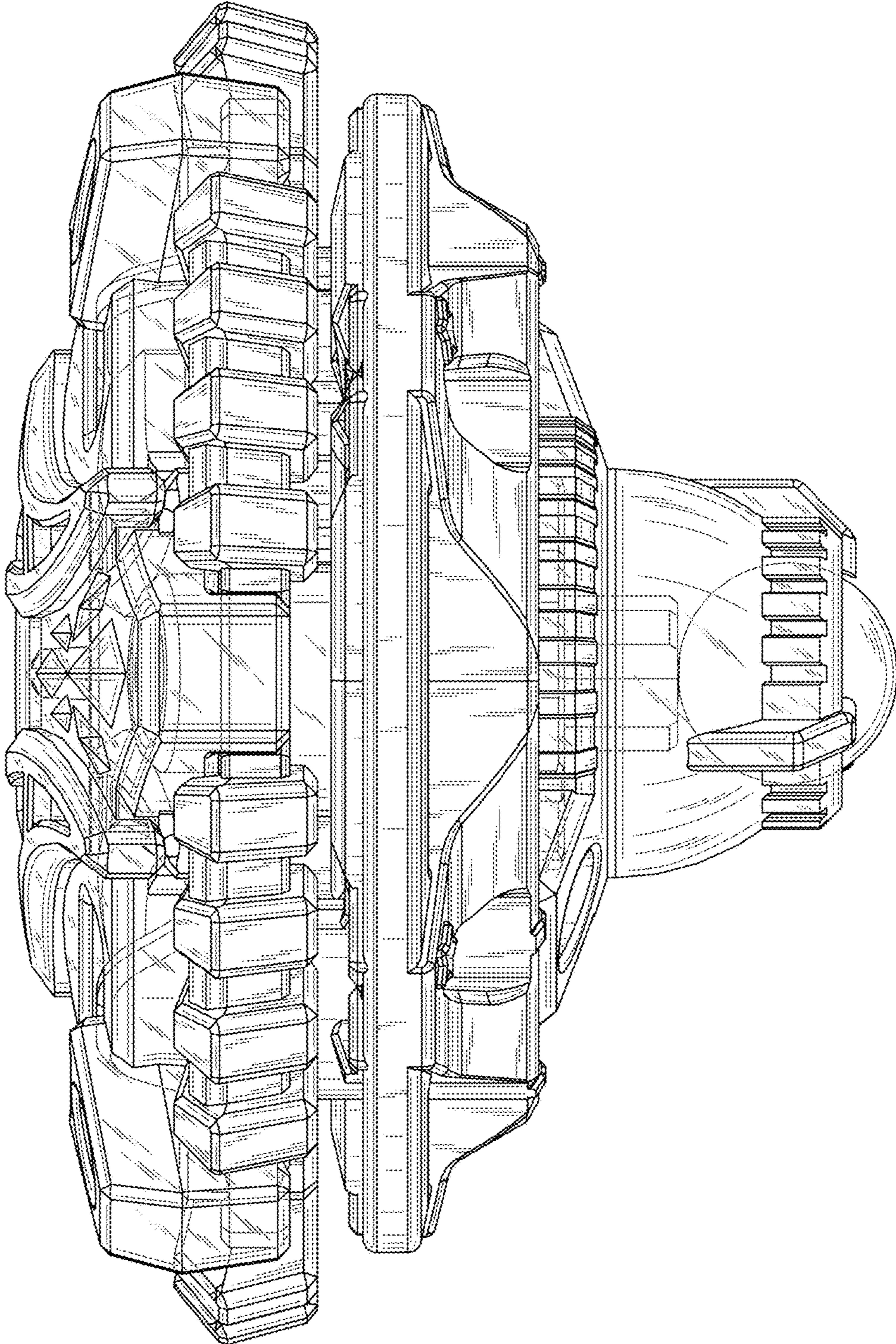
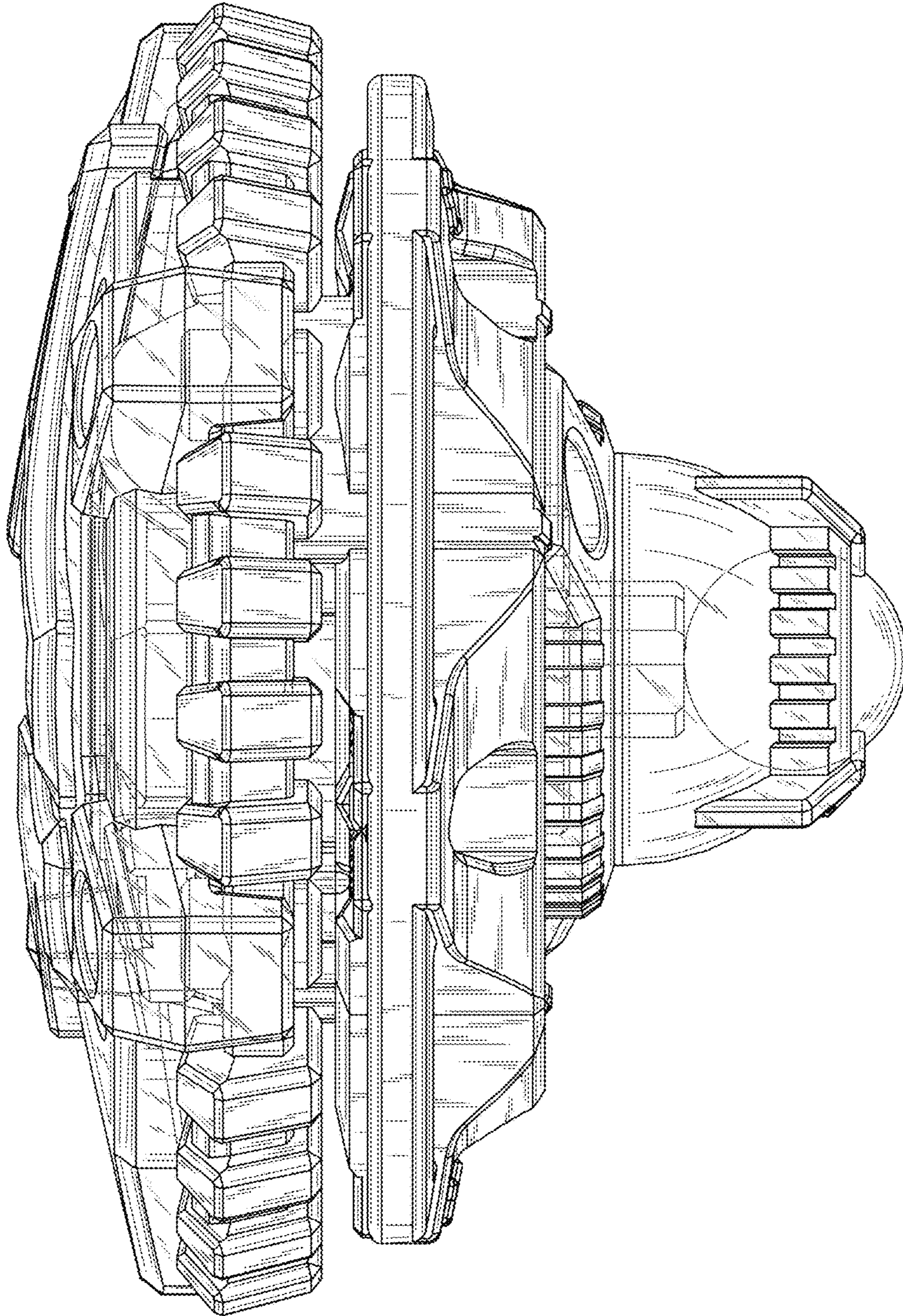


FIG. 4



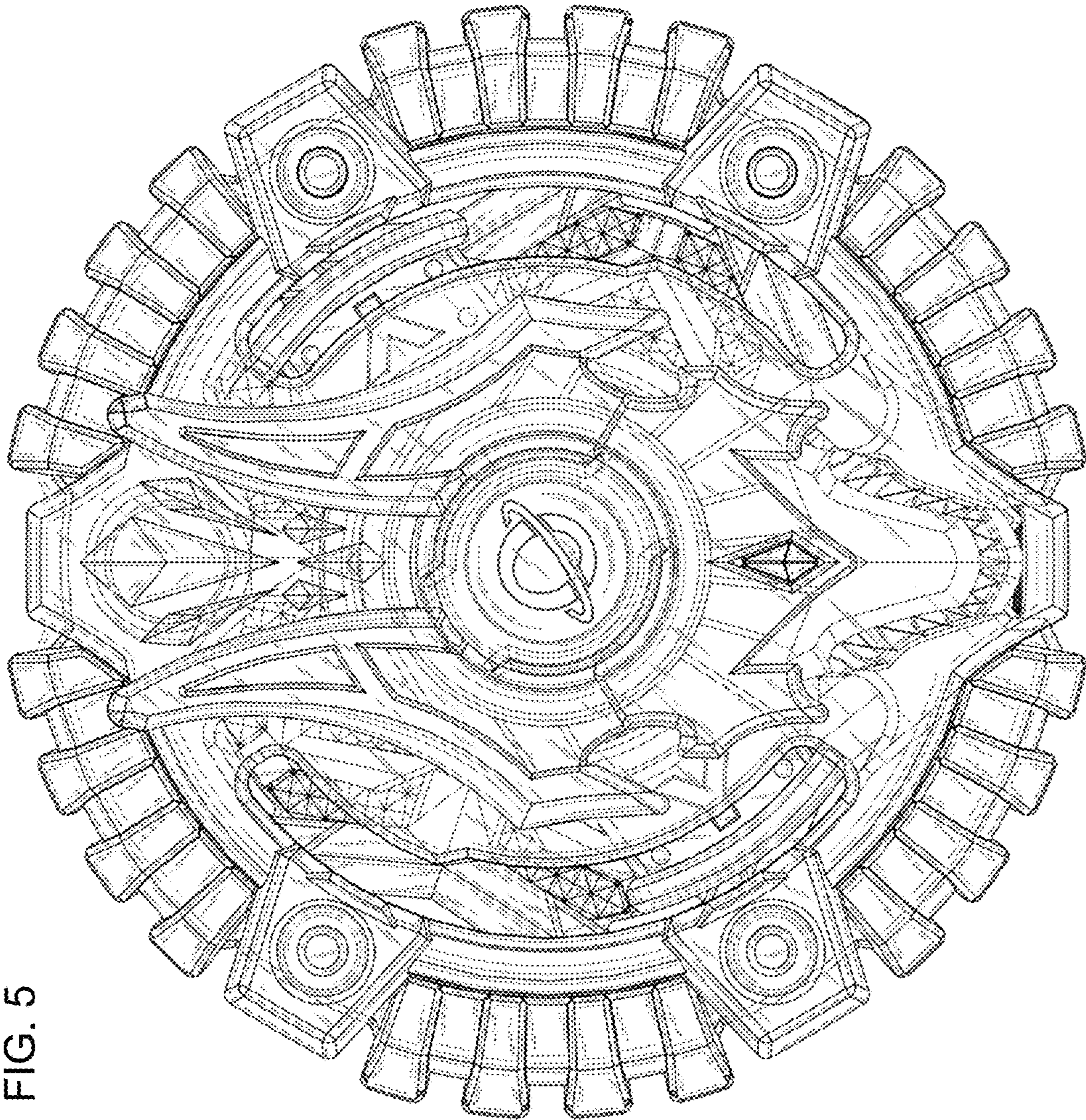


FIG. 5

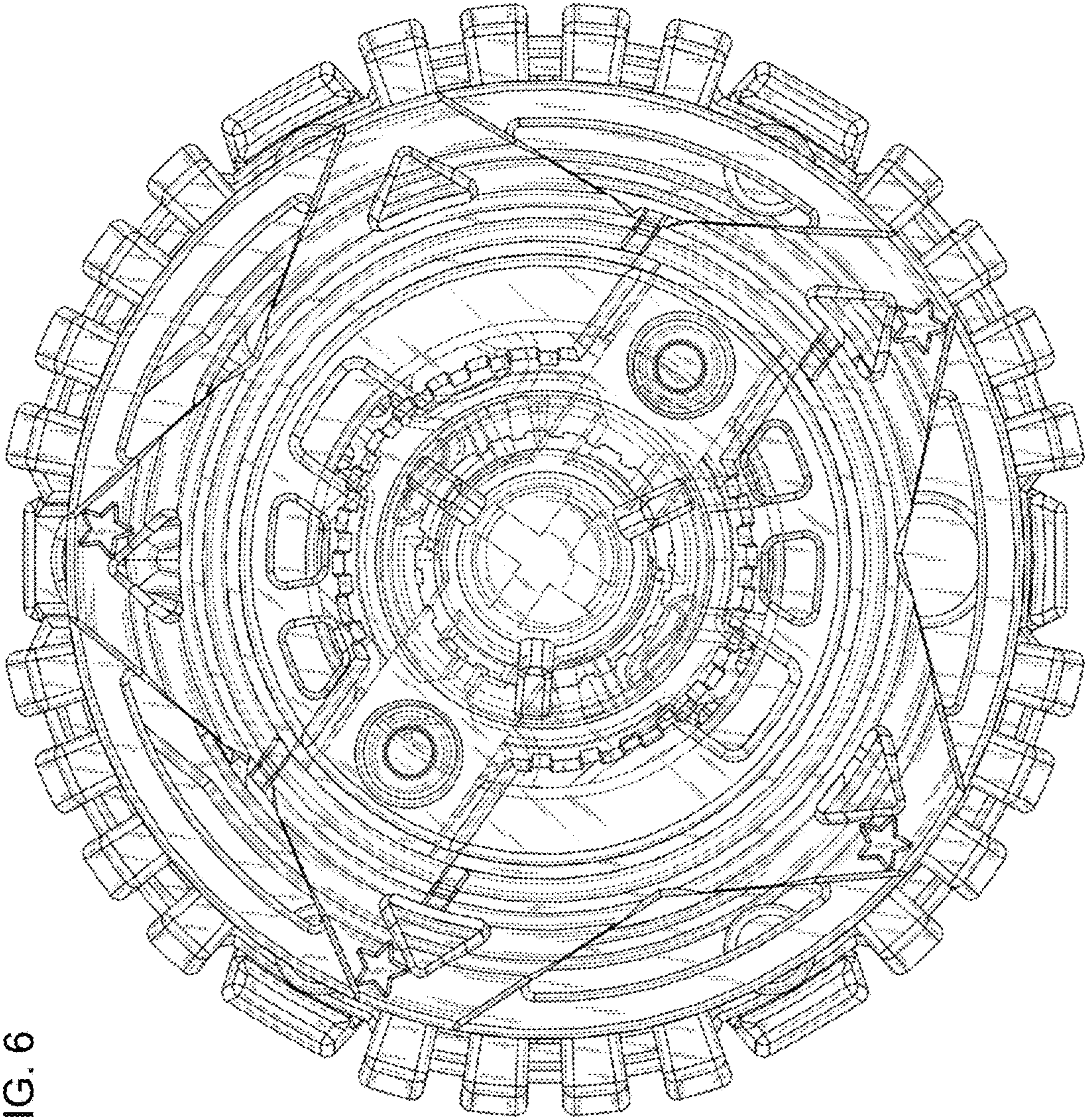


FIG. 6



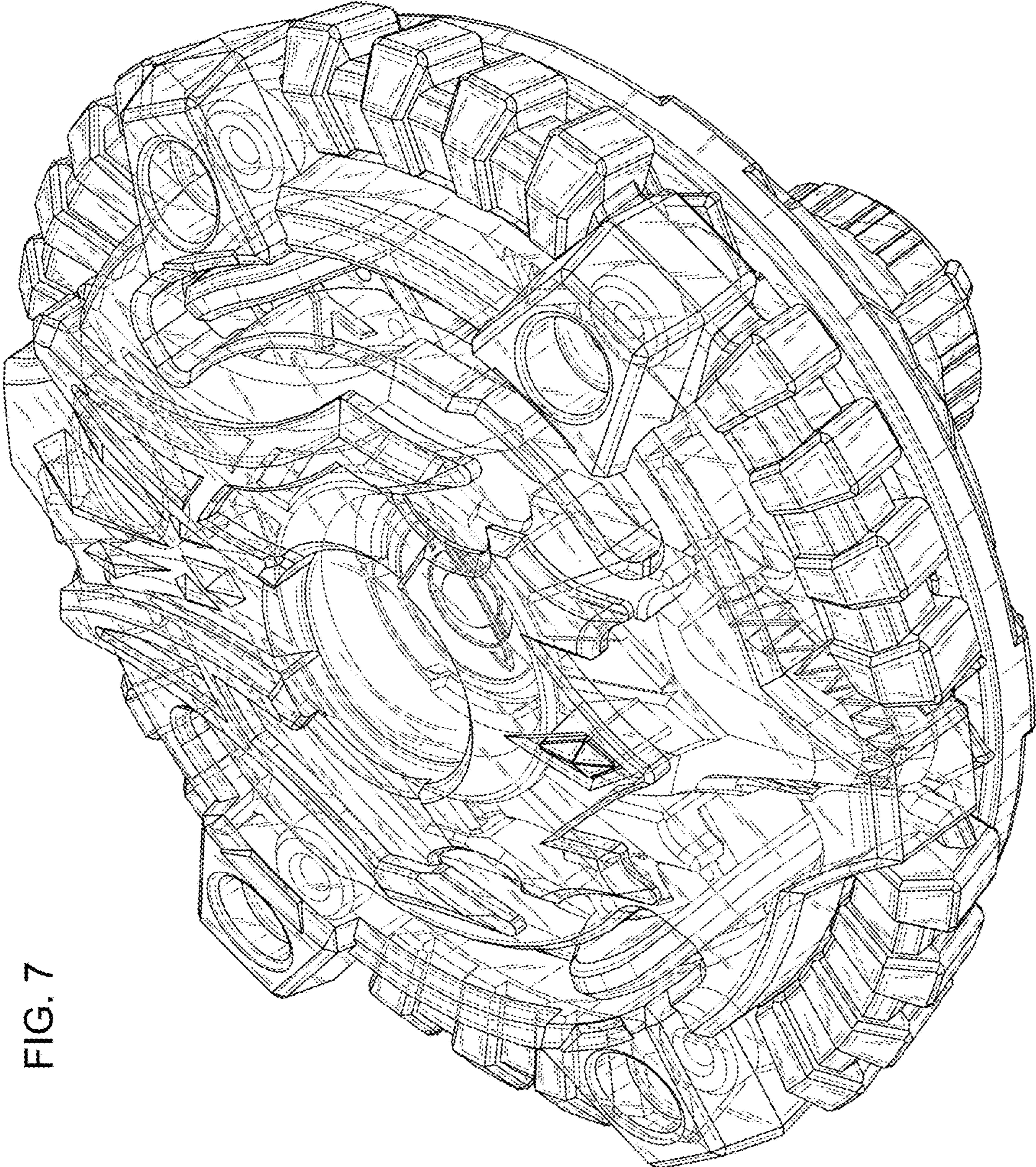


FIG. 7

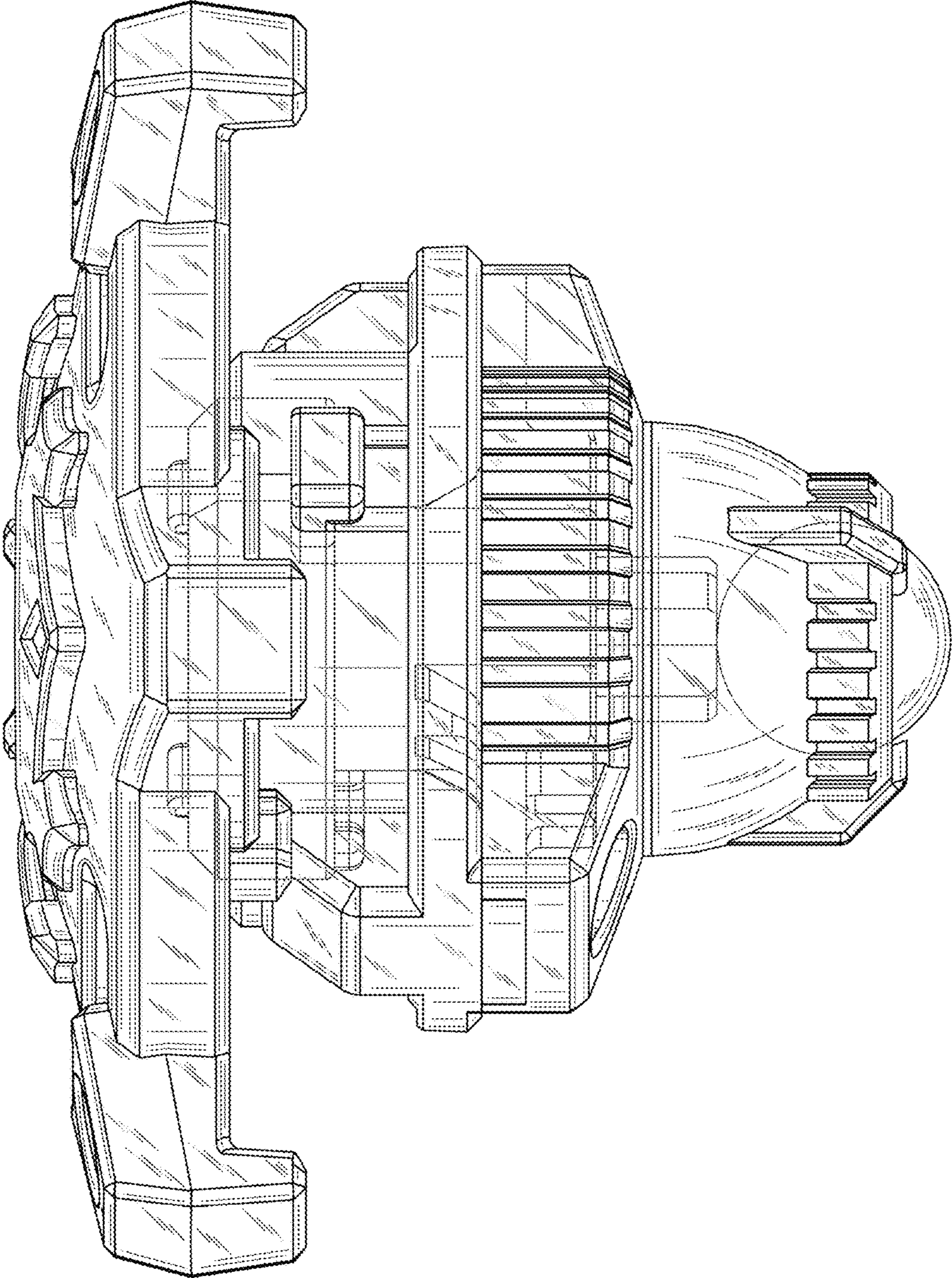


FIG. 8

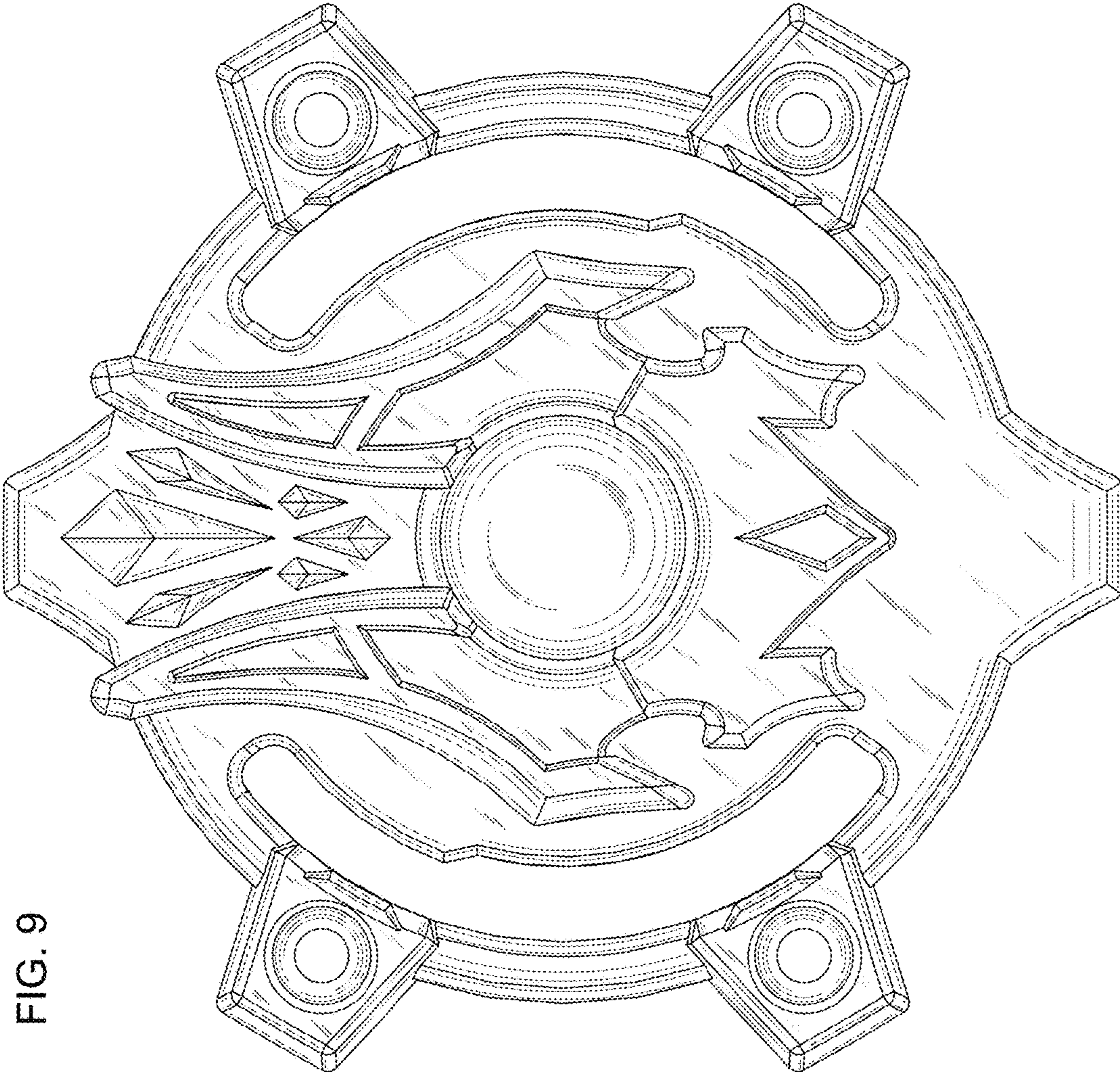


FIG. 9