



US00D825669S

(12) **United States Design Patent**
Tompkin

(10) **Patent No.:** **US D825,669 S**

(45) **Date of Patent:** **** Aug. 14, 2018**

(54) **DRONE CAR**

(71) Applicant: **MerchSource, LLC**, Irvine, CA (US)

(72) Inventor: **Crispian Tompkin**, Los Angeles, CA (US)

(73) Assignee: **MerchSource, LLC**, Irvine, CA (US)

(**) Term: **15 Years**

(21) Appl. No.: **29/610,099**

(22) Filed: **Jul. 10, 2017**

(51) **LOC (11) Cl.** **21-01**

(52) **U.S. Cl.**
USPC **D21/441**; D12/16.1

(58) **Field of Classification Search**
USPC D12/16.1, 319-345; D21/436, 441, 442,
D21/443, 444, 447-454
CPC B64C 2201/141; B64C 39/024; B64C
2201/127

See application file for complete search history.

(56) **References Cited**

U.S. PATENT DOCUMENTS

2,478,847	A	8/1949	Stuart, III
3,053,480	A	9/1962	Vanderlip
4,161,843	A	7/1979	Hui
5,043,646	A	8/1991	Smith, III et al.
5,738,300	A	4/1998	Durand
7,302,316	B2	11/2007	Beard et al.
7,364,114	B2	4/2008	Wobben
7,400,950	B2	7/2008	Reich
7,472,863	B2	1/2009	Pak
7,584,071	B2	9/2009	Lee
7,699,260	B2	4/2010	Hughey
7,959,104	B2	6/2011	Kuntz
8,052,081	B2	11/2011	Olm et al.
8,106,748	B2	1/2012	Lee
8,175,763	B2	5/2012	Yamane et al.
8,214,088	B2	7/2012	Lefebure
8,265,808	B2	9/2012	Garrec et al.
8,292,215	B2	10/2012	Olm et al.

8,322,648	B2	12/2012	Kroetsch et al.
8,328,128	B2	12/2012	Wiggerich
8,328,130	B2	12/2012	Goossen
8,594,862	B2	11/2013	Callou et al.
8,774,982	B2	7/2014	Oakley et al.
D710,454	S	8/2014	Barajas et al.
8,794,564	B2	8/2014	Hutson

(Continued)

FOREIGN PATENT DOCUMENTS

WO 2015126447 A1 8/2015

OTHER PUBLICATIONS

Syma X9 RC Quadcopter Drone by Rama Deals dated 2018. found online [May 9, 2018] <https://www.ramadeals.com/products/syma-x9-rc-quadcopter-drone>.*

Primary Examiner — Brandon Michael Rosati

Assistant Examiner — Marissa J Cash

(74) *Attorney, Agent, or Firm* — Avyno Law P.C.

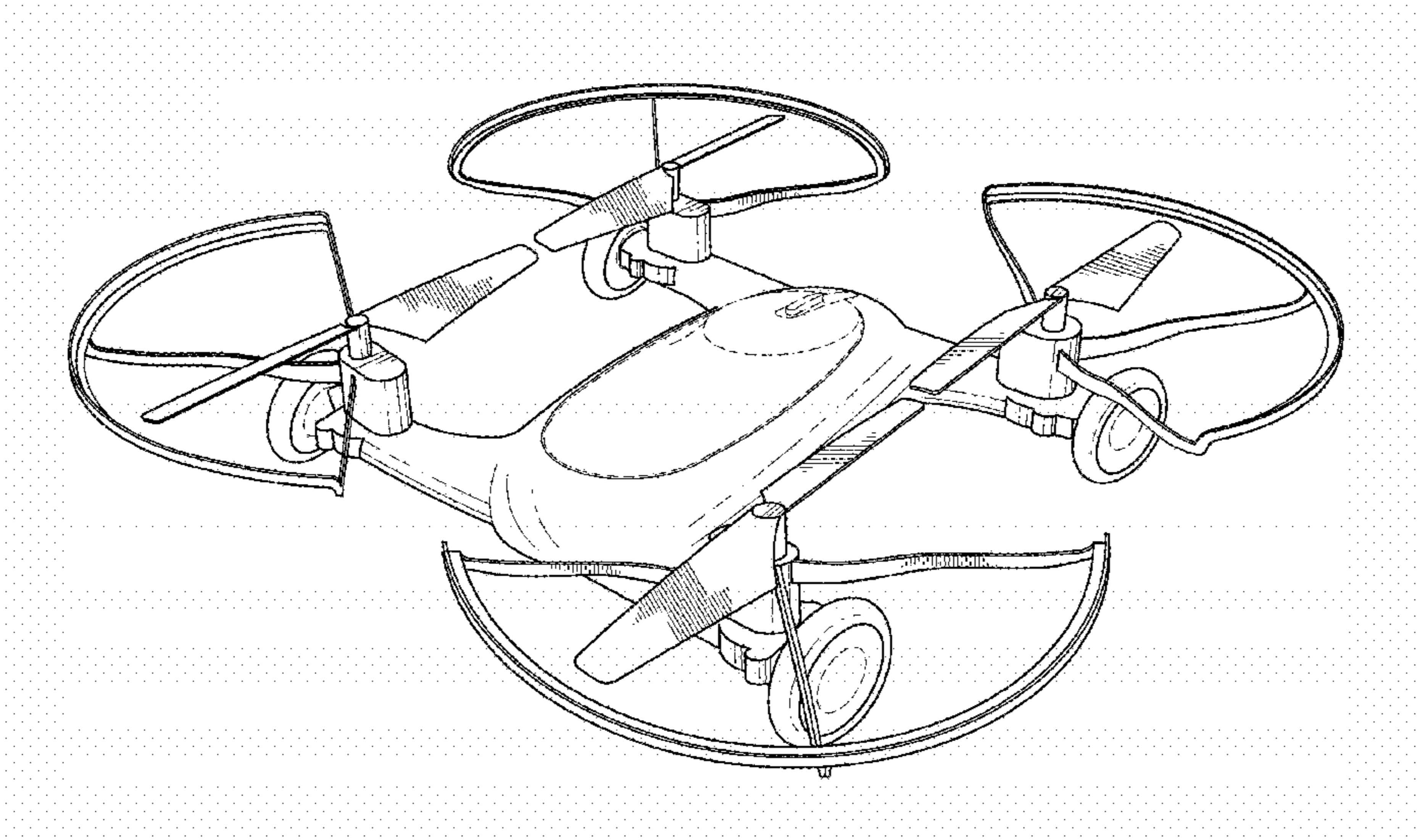
(57) **CLAIM**

I claim the ornamental design for a drone car, as shown and described.

DESCRIPTION

FIG. 1 is a top perspective view of a drone car.
FIG. 2 is a top view of the drone car of FIG. 1.
FIG. 3 is a bottom view of the drone car of FIG. 1.
FIG. 4 is a front view of the drone car of FIG. 1.
FIG. 5 is a rear view of the drone car of FIG. 1.
FIG. 6 is a side view of the right side of the drone car of FIG. 1; and,
FIG. 7 is a side view of the left side of the drone car of FIG. 1.
The broken lines shown are included for the purpose of illustrating the unclaimed portions of the article and forms no part of the claimed design.

1 Claim, 5 Drawing Sheets



(56)

References Cited

U.S. PATENT DOCUMENTS

8,794,566 B2 8/2014 Hutson
 8,827,200 B2 9/2014 Radu
 8,931,730 B2 1/2015 Wang et al.
 8,973,861 B2 3/2015 Zhou et al.
 8,983,684 B2 3/2015 Callou et al.
 8,991,740 B2 3/2015 Olm et al.
 9,004,973 B2 4/2015 Condon et al.
 9,016,617 B2 4/2015 Wang et al.
 9,020,666 B2 4/2015 Ohtomo et al.
 9,051,050 B2 6/2015 Achteik et al.
 9,061,558 B2 6/2015 Kalantari et al.
 9,145,207 B2 9/2015 Moschetta et al.
 D745,435 S * 12/2015 Park D12/16.1
 9,199,733 B2 12/2015 Keennon et al.
 9,221,536 B2 12/2015 Wang et al.
 9,260,184 B2 2/2016 Olm et al.
 D756,842 S * 5/2016 Ashjaee D12/16.1
 9,364,766 B2 6/2016 Mielniczek
 D783,727 S * 4/2017 Xiao D21/441
 D784,201 S * 4/2017 Goldy D12/16.1
 D784,202 S * 4/2017 Park D12/16.1

D785,717 S * 5/2017 Xiao D21/441
 D793,482 S * 8/2017 Wang D12/16.1
 D798,962 S * 10/2017 Xiao D21/441
 D798,963 S * 10/2017 Xiao D21/441
 D800,016 S * 10/2017 Huang D12/16.1
 D808,301 S * 1/2018 Goldy D12/16.1
 D809,992 S * 2/2018 Hu D12/328
 D814,350 S * 4/2018 Joo D12/16.1
 D814,385 S * 4/2018 Zhao D12/328
 2002/0104922 A1 8/2002 Nakamura
 2008/0006737 A1 1/2008 Wobben
 2010/0044499 A1 2/2010 Dragan et al.
 2010/0243794 A1 9/2010 Jermyn
 2011/0049290 A1 3/2011 Seydoux et al.
 2011/0226892 A1 9/2011 Crowther et al.
 2014/0043493 A1 2/2014 Bateman et al.
 2014/0263822 A1 9/2014 Malveaux
 2015/0051755 A1 2/2015 Erhart et al.
 2016/0100093 A1 4/2016 Schield et al.
 2016/0104384 A1 4/2016 Hanel et al.
 2017/0072755 A1 * 3/2017 Zhou B64C 29/0033
 2017/0073070 A1 * 3/2017 Xing B64C 39/024
 2017/0269609 A1 * 9/2017 Bradlow G05D 1/102
 2018/0002023 A1 * 1/2018 Tian B64D 13/006

* cited by examiner

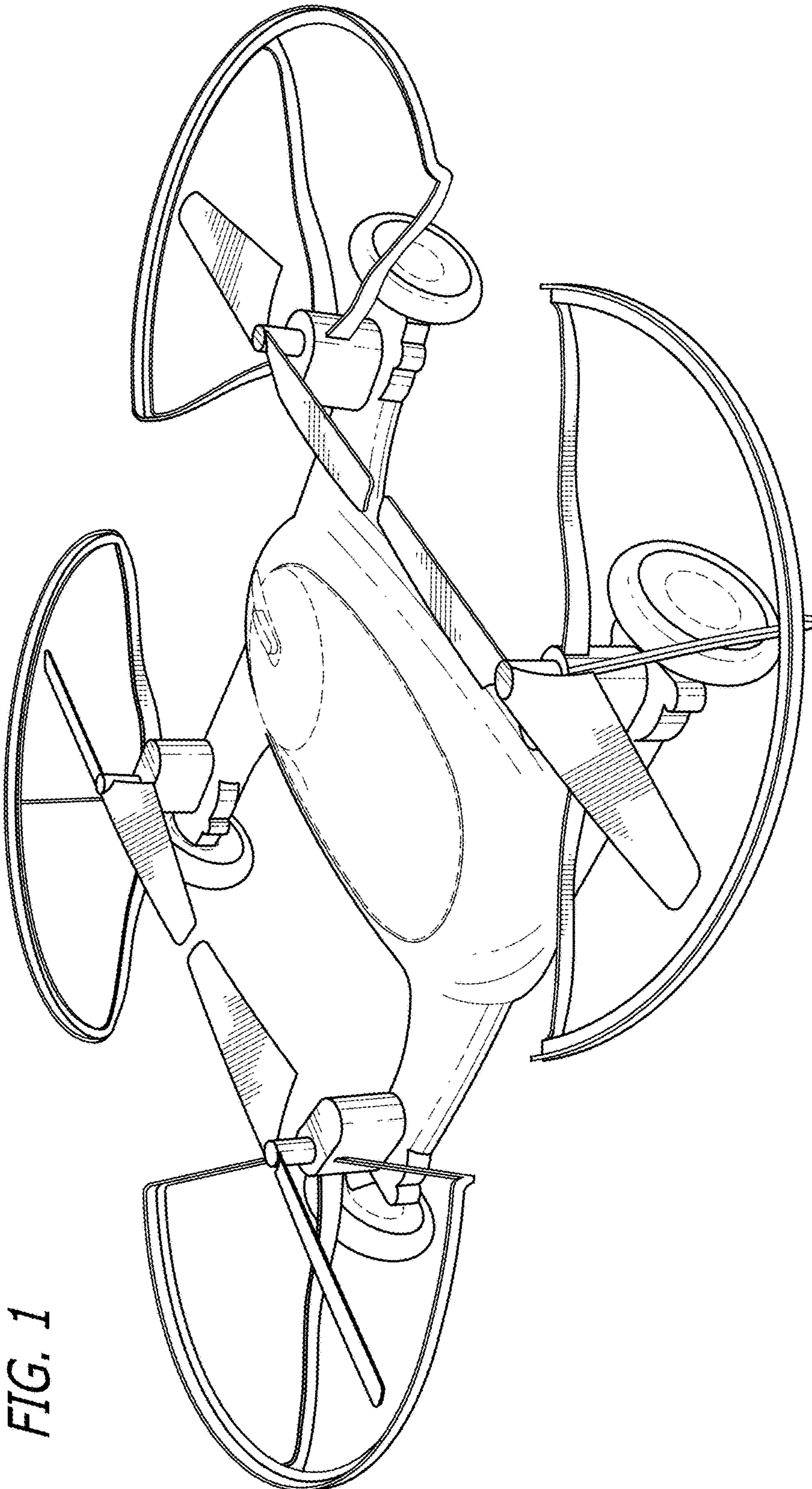


FIG. 1

FIG. 2

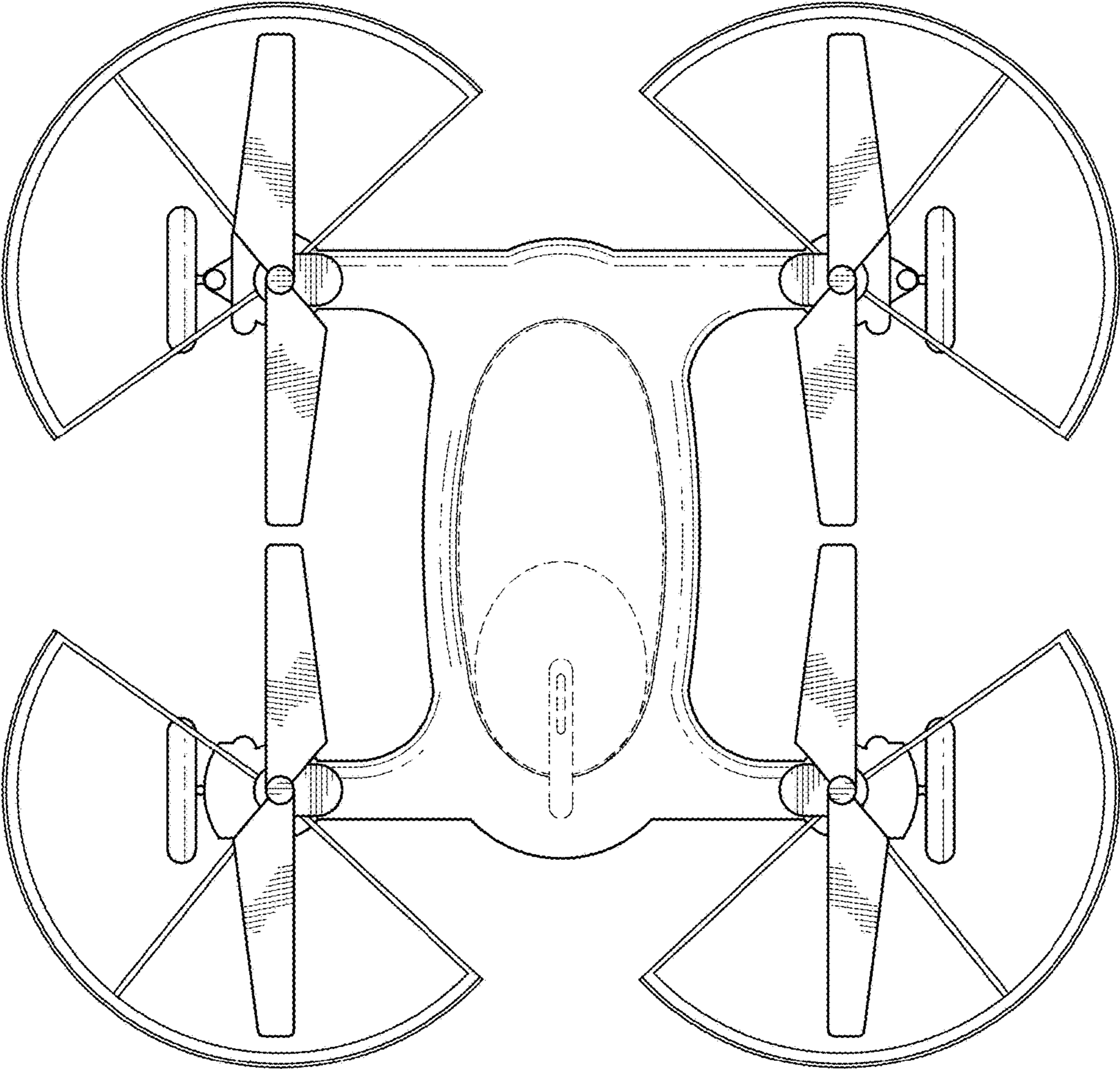
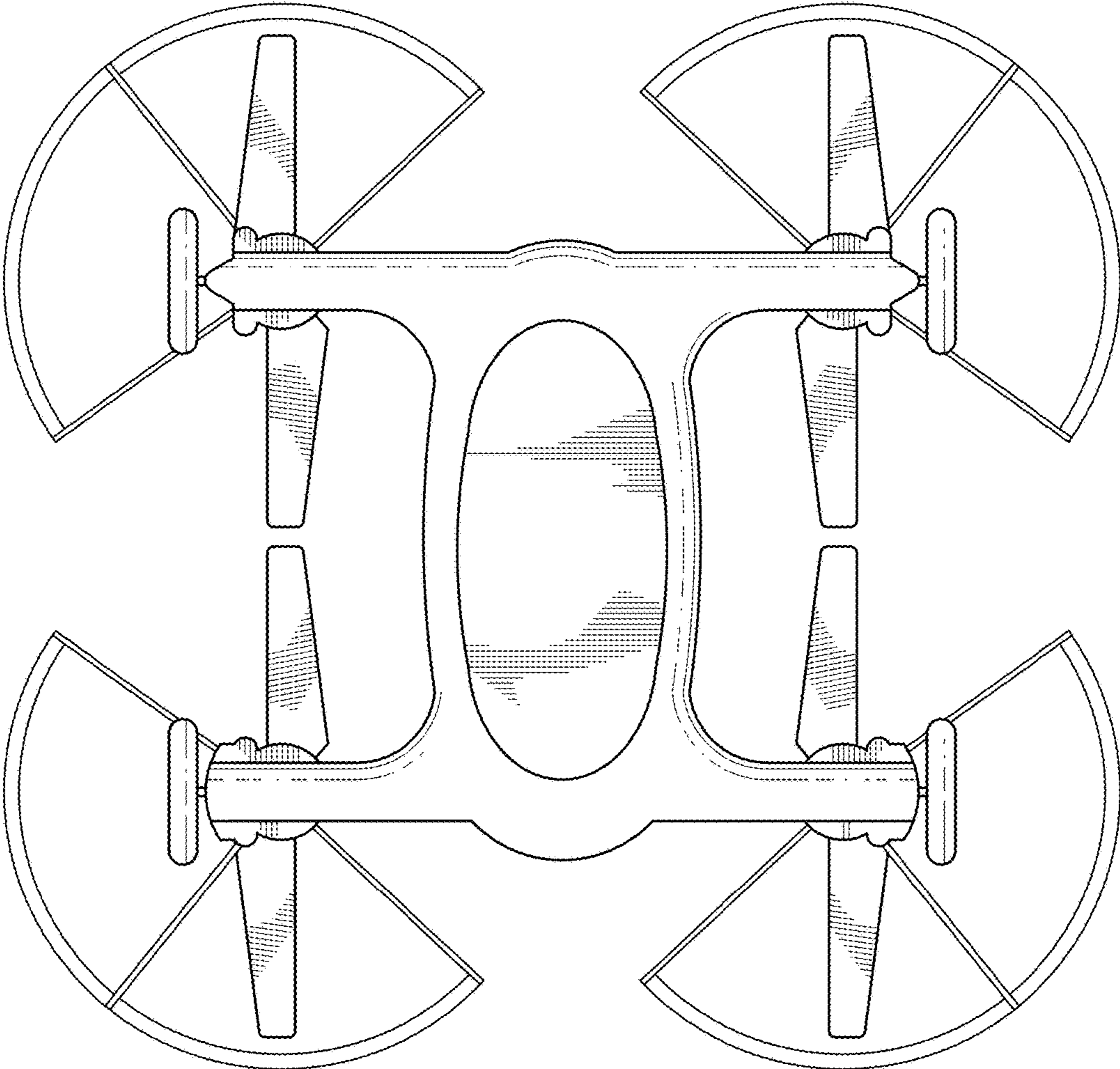


FIG. 3



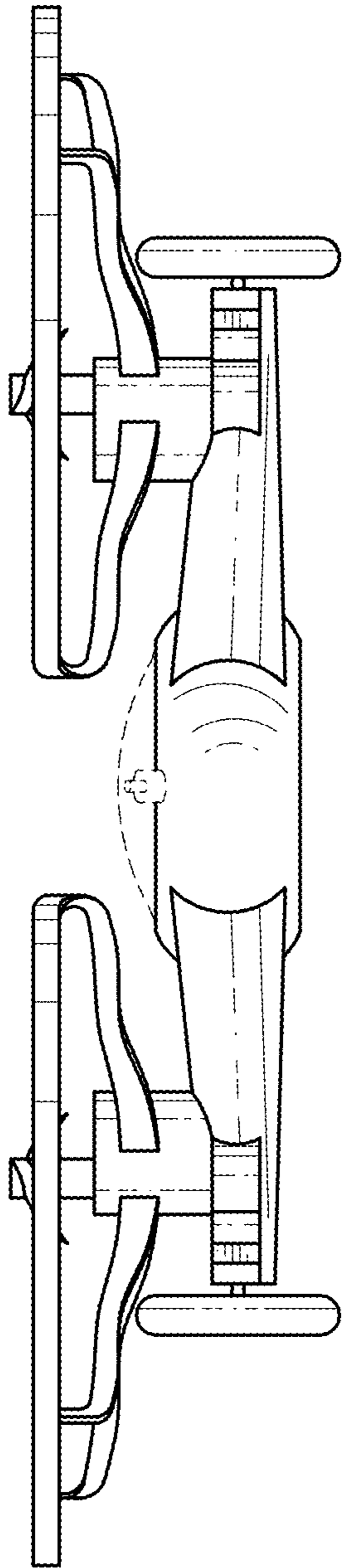


FIG. 4

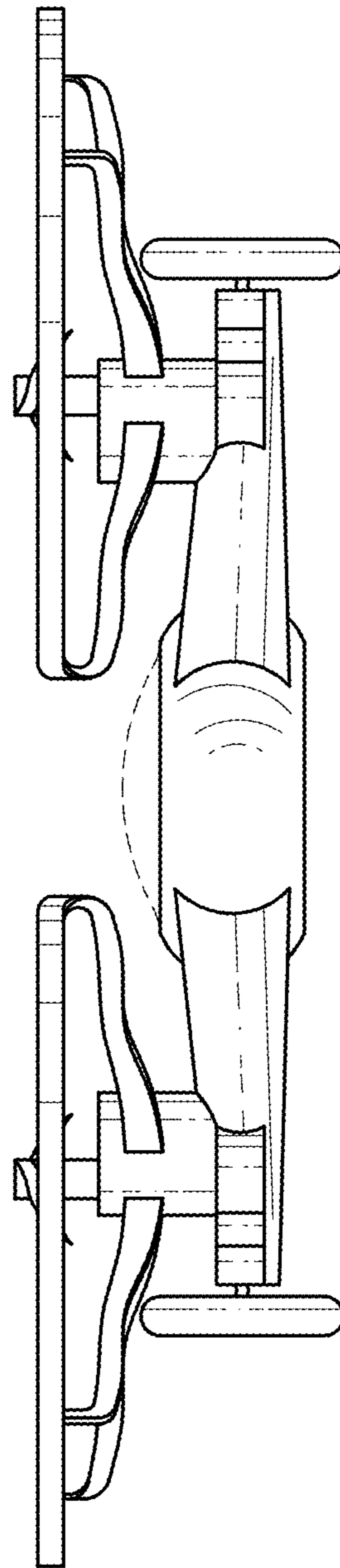


FIG. 5

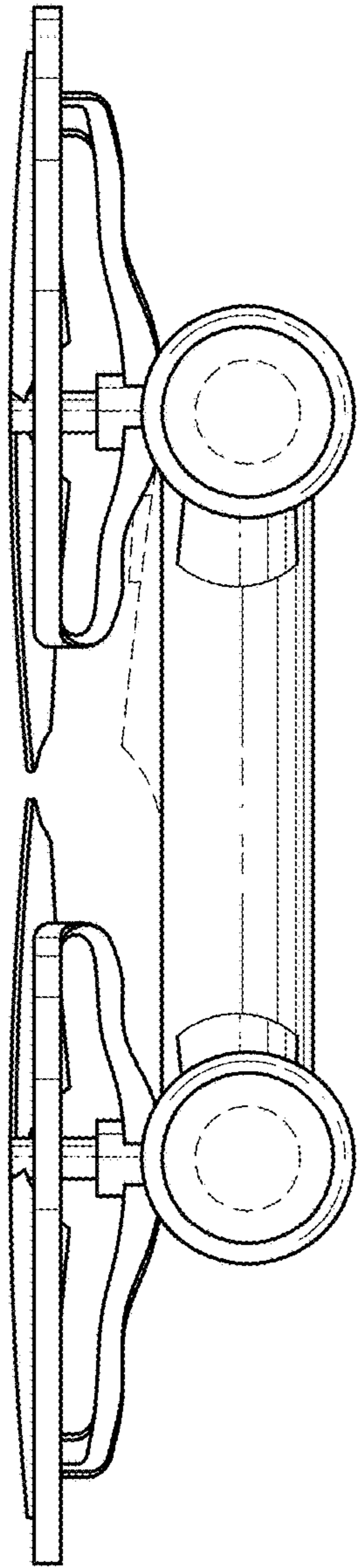


FIG. 6

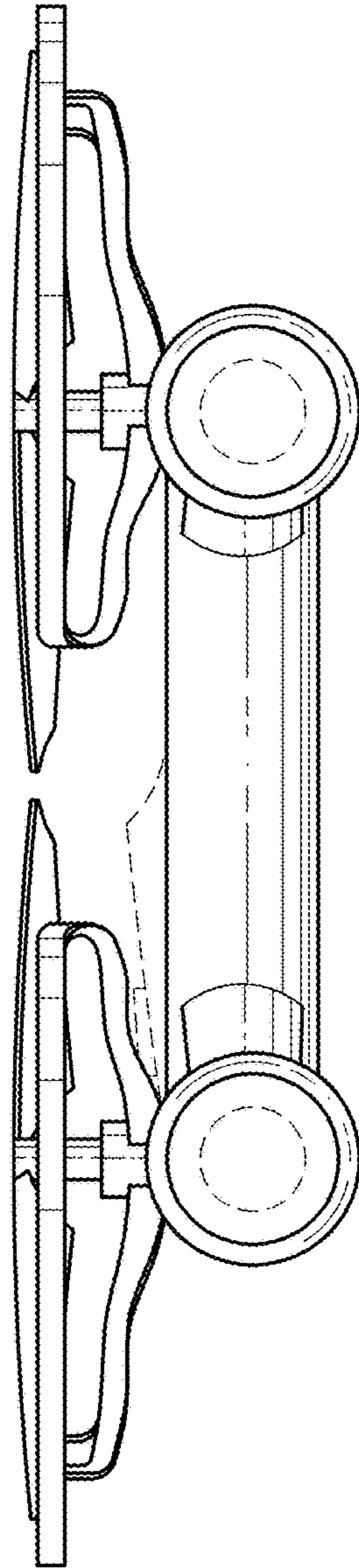


FIG. 7