



US00D825668S

(12) **United States Design Patent**
Hedrick et al.

(10) **Patent No.:** **US D825,668 S**

(45) **Date of Patent:** **** Aug. 14, 2018**

(54) **ELECTRONIC GAMING TABLE WITH A SHARED DISPLAY**

(71) Applicants: **Joseph R. Hedrick**, Reno, NV (US);
Gordon Myers, Reno, NV (US); **Scott T. Hilbert**, Sparks, NV (US)

(72) Inventors: **Joseph R. Hedrick**, Reno, NV (US);
Gordon Myers, Reno, NV (US); **Scott T. Hilbert**, Sparks, NV (US)

(73) Assignee: **Bally Gaming, Inc.**, Las Vegas, NV (US)

(**) Term: **15 Years**

(21) Appl. No.: **29/540,458**

(22) Filed: **Sep. 24, 2015**

(51) **LOC (11) Cl.** **21-01**

(52) **U.S. Cl.**
USPC **D21/397**

(58) **Field of Classification Search**
USPC D6/641, 656, 691.4, 656.15, 686;
D21/397
CPC A47B 13/023
See application file for complete search history.

(56) **References Cited**

U.S. PATENT DOCUMENTS

3,880,097 A * 4/1975 Camilleri A47B 13/023
108/150
D236,668 S * 9/1975 Manus Mudde D6/667

D436,634 S * 1/2001 Cooper-Hart D21/333
D561,495 S * 2/2008 Kreiss D6/691.4
D646,913 S * 10/2011 Navone D6/689
D761,918 S * 7/2016 Kelly D21/369
D810,834 S * 2/2018 Kelly D21/397

* cited by examiner

Primary Examiner — George D. Kirschbaum

(74) *Attorney, Agent, or Firm* — Philip J. Anderson

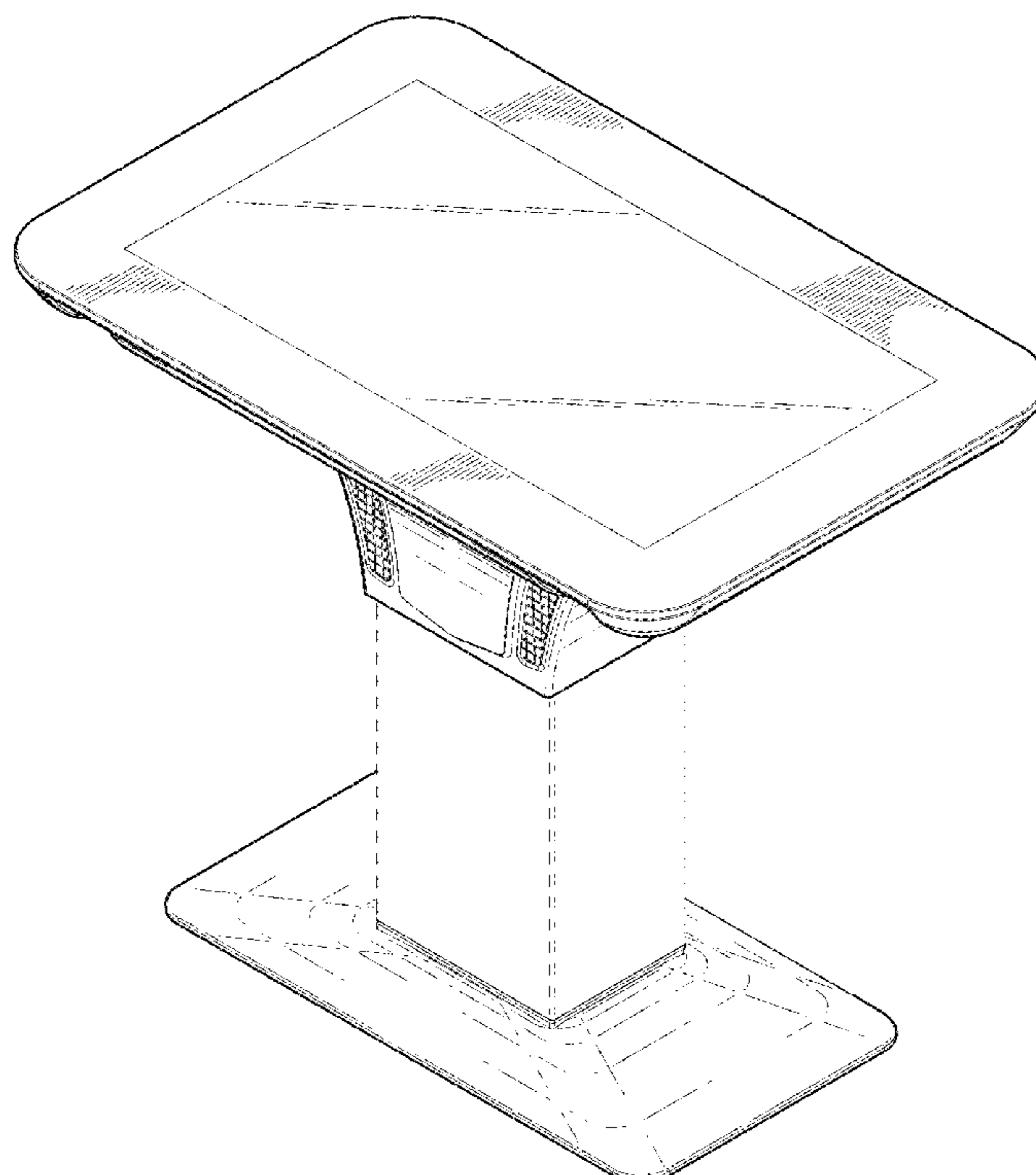
(57) **CLAIM**

The ornamental design for an electronic gaming table with a shared display, as shown and described.

DESCRIPTION

FIG. 1 is a top-front perspective view of an electronic gaming table with shared display showing our new design; FIG. 2 is a front view thereof, the rear view being a mirror image thereof; FIG. 3 is a right side view thereof, the left side being a mirror image thereof; FIG. 4 is a top view thereof; and, FIG. 5 is a bottom view thereof. The broken lines in the drawings indicate the appearance of a stand on the electronic gaming table with the shared display between which forms no part of the claimed design.

1 Claim, 4 Drawing Sheets



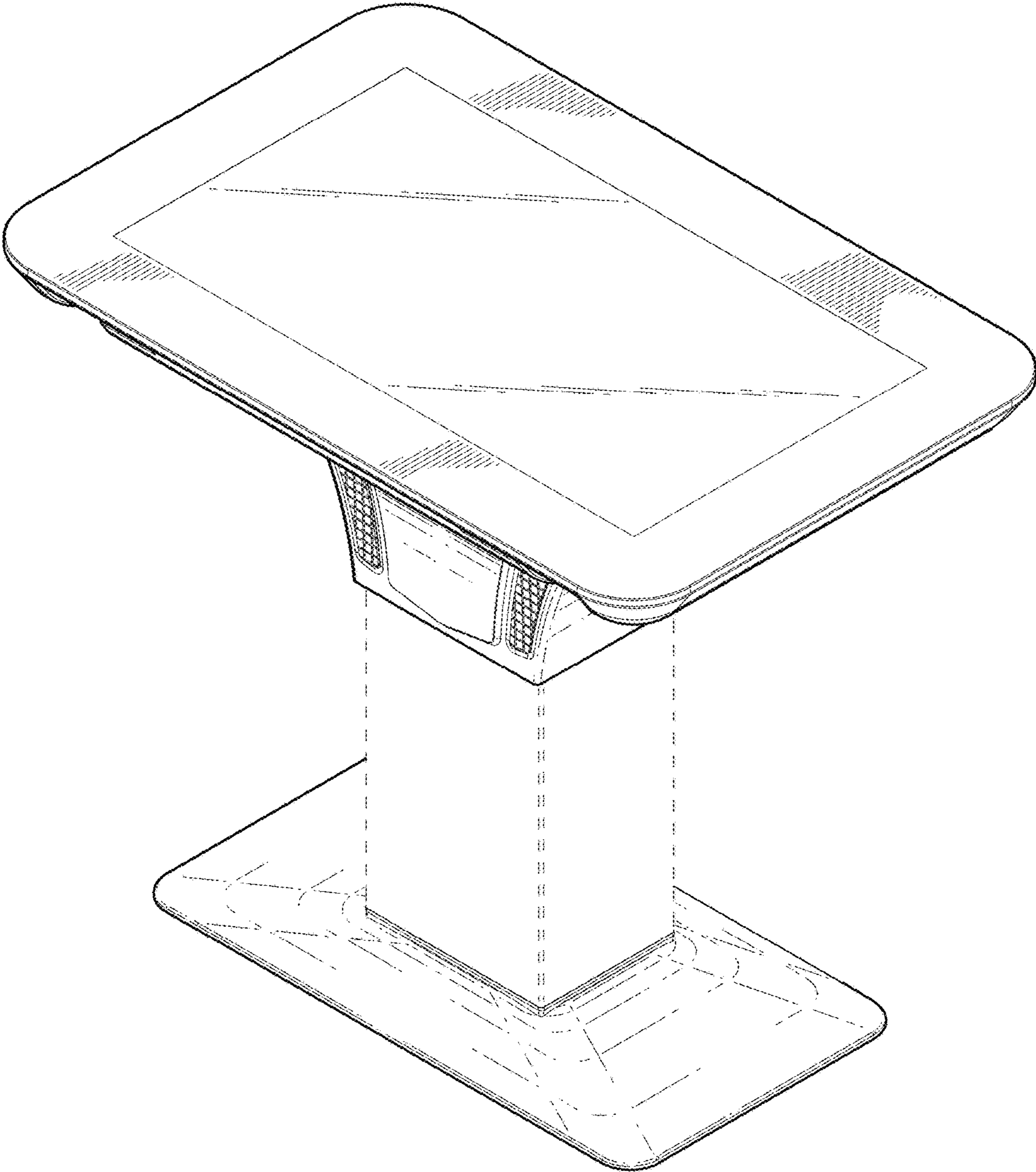


FIG. 1

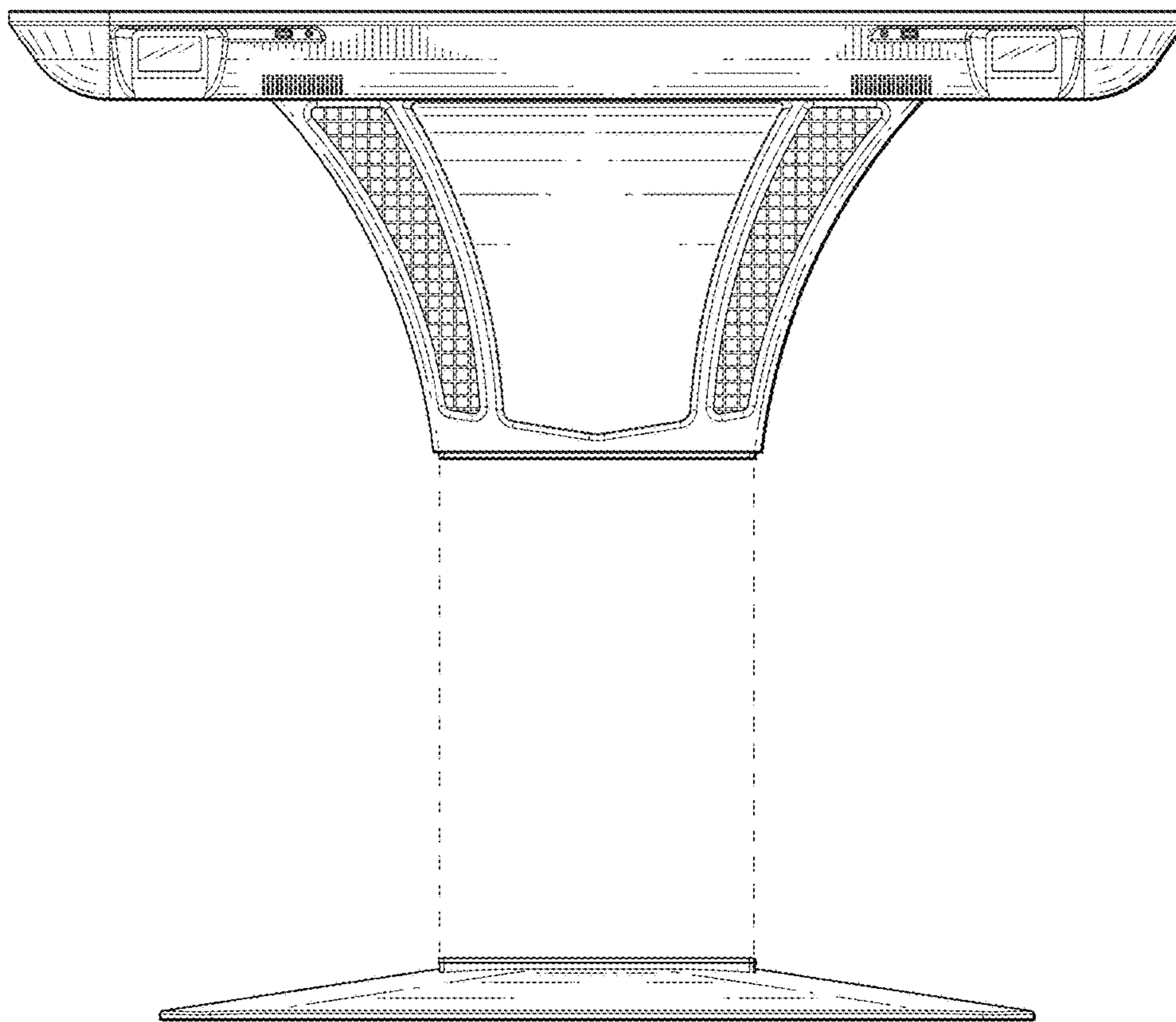


FIG. 2

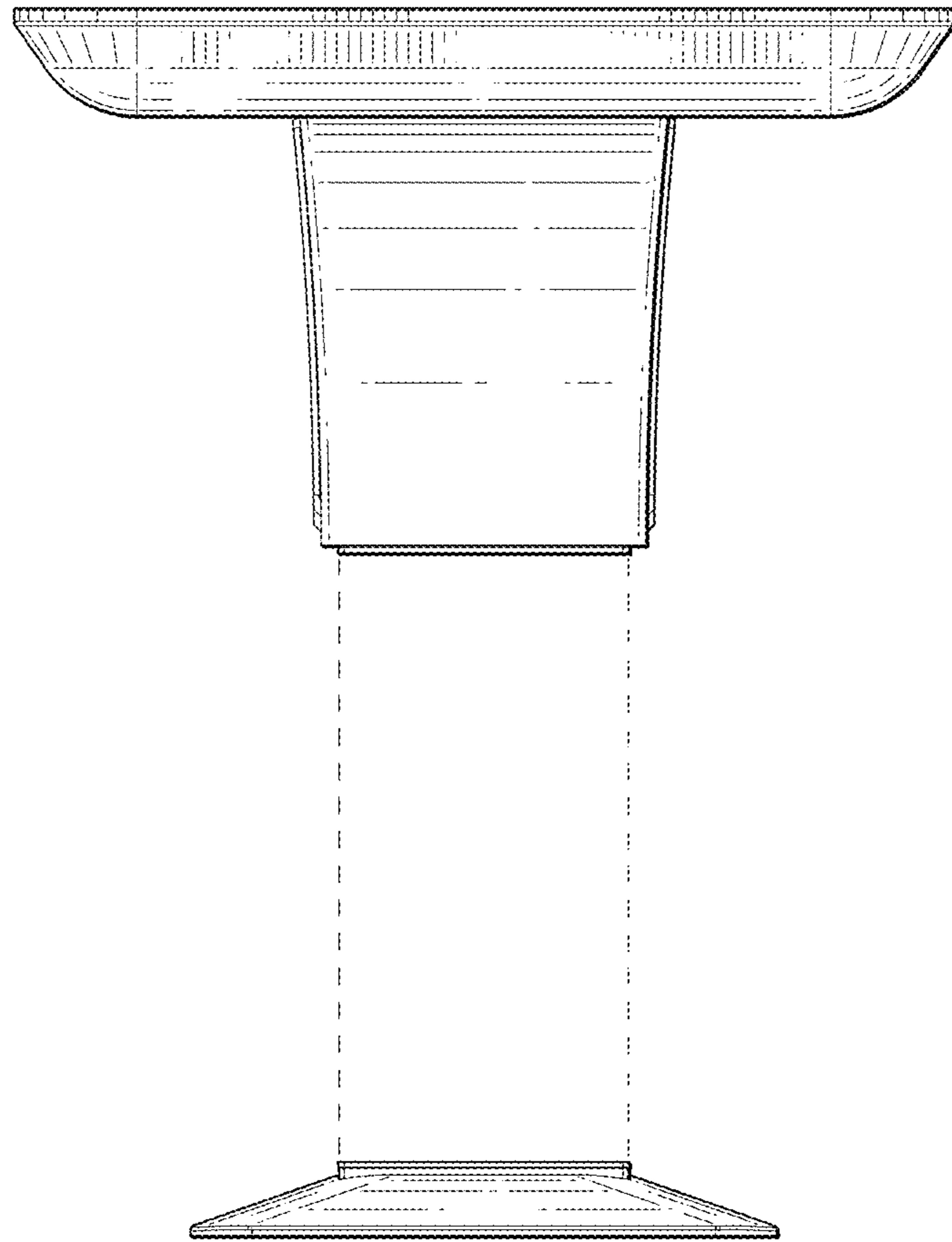


FIG. 3

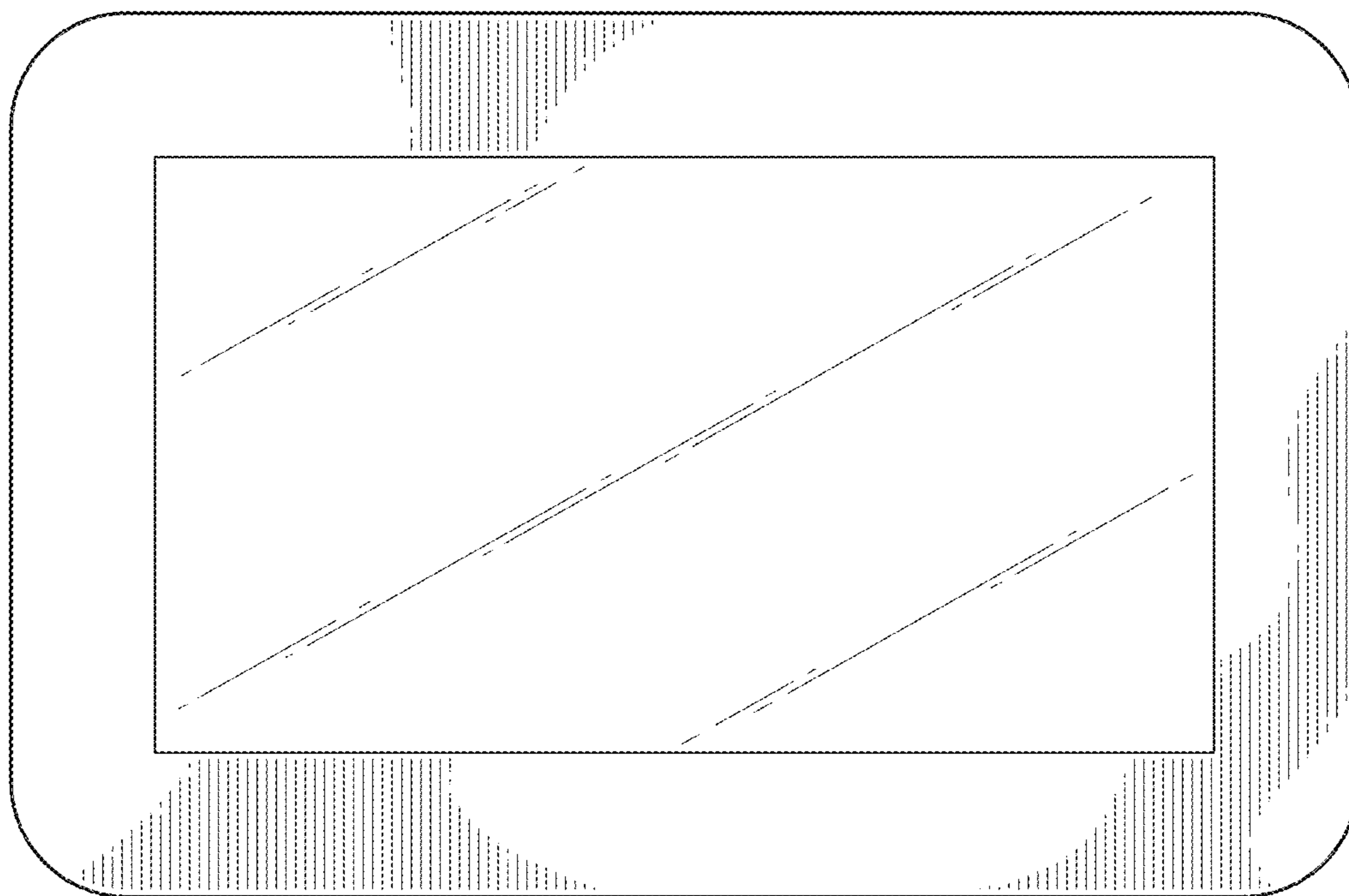


FIG. 4

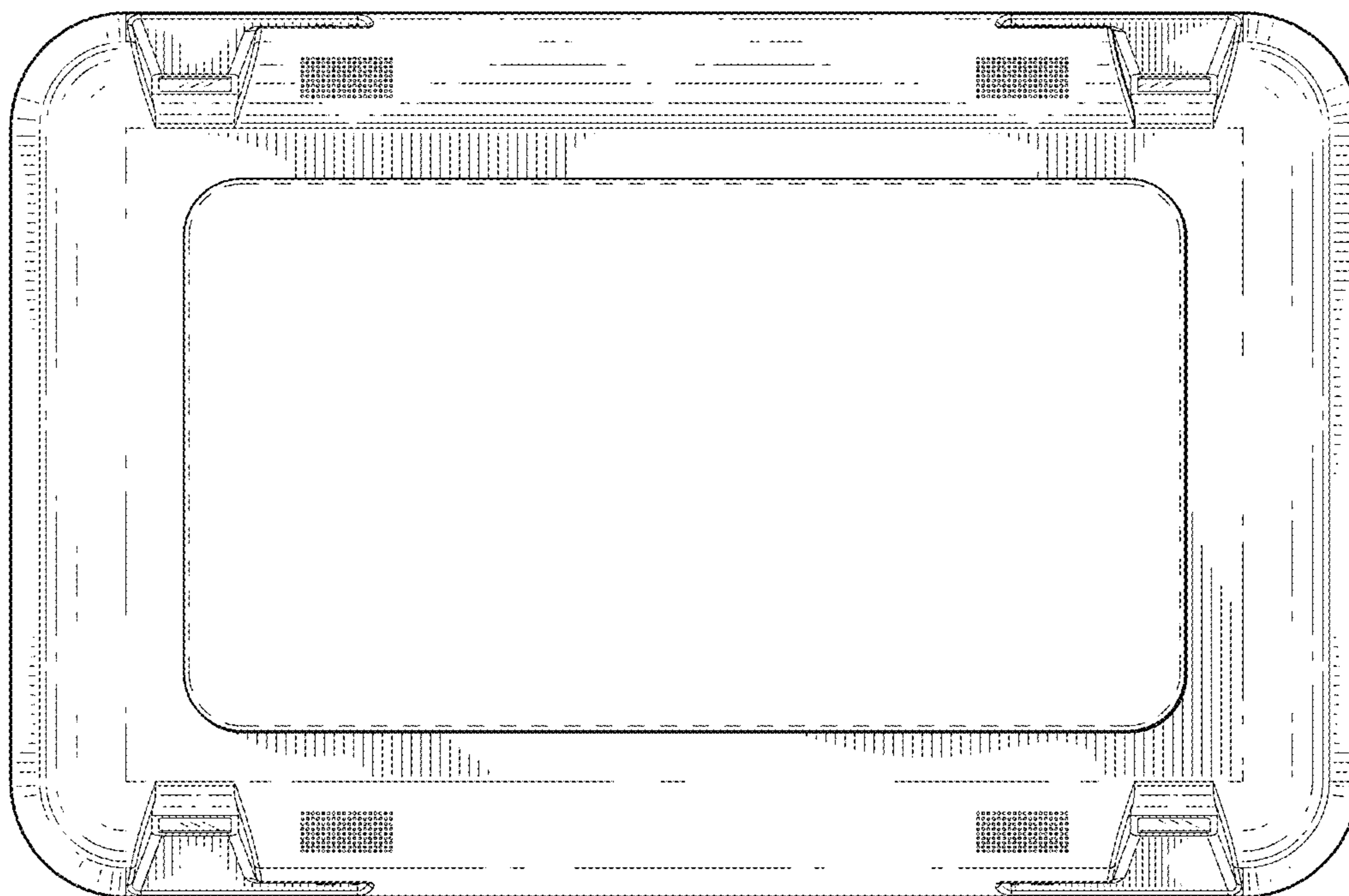


FIG. 5