



US00D825663S

(12) **United States Design Patent** (10) **Patent No.:** **US D825,663 S**
Jiang (45) **Date of Patent:** **** Aug. 14, 2018**

(54) **PEN**
(71) Applicant: **Hub Pen Company, LLC**, Braintree, MA (US)
(72) Inventor: **Bing Jiang**, Zhejiang (CN)
(73) Assignee: **Hub Pen Company, LLC**
(**) Term: **15 Years**
(21) Appl. No.: **29/588,474**

Primary Examiner — Elizabeth Albert
(74) *Attorney, Agent, or Firm* — McInnes & McLane LLP

(57) **CLAIM**

The ornamental design for a pen, as shown and described.

DESCRIPTION

(22) Filed: **Dec. 21, 2016**
(51) **LOC (11) Cl.** **19-06**
(52) **U.S. Cl.**
USPC **D19/192**; D19/914; D19/918
(58) **Field of Classification Search**
USPC D14/411; D19/115–204; D9/724, 725
CPC ... B43K 7/12; B43K 8/04; B43K 8/06; B43K 19/00; B43K 19/02; B43K 19/14; B43K 21/006; B43K 21/06; B43K 23/06; B43K 24/08
See application file for complete search history.

FIG. 1 is a perspective view of a pen showing my new design;
FIG. 2 is a front elevational view of the pen of FIG. 1;
FIG. 3 is a rear elevational view of the pen of FIG. 1;
FIG. 4 is a left side elevational view of the pen of FIG. 1;
FIG. 5 is a right side elevational view of the pen of FIG. 1;
FIG. 6 is a top plan view of the pen of FIG. 1;
FIG. 7 is a bottom plan view of the pen of FIG. 1;
FIG. 8 is a perspective view of a second embodiment of a pen showing my new design;
FIG. 9 is a front elevational view of the pen of FIG. 8;
FIG. 10 is a rear elevational view of the pen of FIG. 8;
FIG. 11 is a left side elevational view of the pen of FIG. 8;
FIG. 12 is a right side elevational view of the pen of FIG. 8;
FIG. 13 is a top plan view of the pen of FIG. 8;
FIG. 14 is a bottom plan view of the pen of FIG. 8;
FIG. 15 is a perspective view of a second embodiment of a pen showing my new design;
FIG. 16 is a front elevational view of the pen of FIG. 15;
FIG. 17 is a rear elevational view of the pen of FIG. 15;
FIG. 18 is a left side elevational view of the pen of FIG. 15;
FIG. 19 is a right side elevational view of the pen of FIG. 15;
FIG. 20 is a top plan view of the pen of FIG. 15; and,
FIG. 21 is a bottom plan view of the pen of FIG. 15.
The broken lines are included to show portions of the pen that form no part of the claimed design.

(56) **References Cited**

U.S. PATENT DOCUMENTS

D180,149 S * 4/1957 Larson et al. D19/174
D409,660 S * 5/1999 Izushima D19/195
D438,245 S * 2/2001 Hollington D19/175
6,206,595 B1 * 3/2001 Keda B43K 7/005
401/195
D457,563 S * 5/2002 Moon D19/174
D460,112 S * 7/2002 Keda D19/171

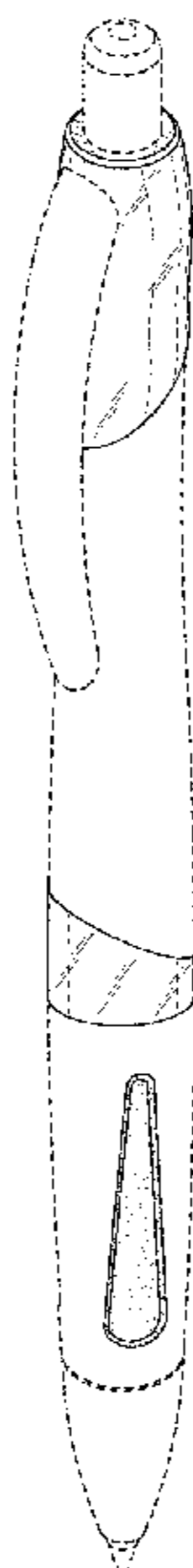
(Continued)

OTHER PUBLICATIONS

Hub Pen Company's Enjoy Writing Catalog, 2009, (Javalina Tropical) p. 62, and (Javalina Executive) p. 63.

(Continued)

1 Claim, 18 Drawing Sheets



(56)

References Cited

U.S. PATENT DOCUMENTS

D490,110 S * 5/2004 Qiu D19/170
 D498,494 S * 11/2004 Conklin D19/171
 D525,302 S * 7/2006 Togawa D19/172
 D535,698 S * 1/2007 Shibata D19/195
 D553,190 S * 10/2007 Qiu D19/168
 D553,680 S * 10/2007 Kusaba D19/172
 D557,744 S * 12/2007 Lecce D19/173
 D558,269 S * 12/2007 Takanashi D19/171
 D559,315 S * 1/2008 Qiu D19/172
 D559,909 S * 1/2008 Qiu D19/172
 D568,936 S * 5/2008 Qiu D19/174
 D575,820 S * 8/2008 Hamilton, Jr. D19/170
 D579,977 S * 11/2008 Fei D19/171
 D580,493 S * 11/2008 Fei D19/171
 D581,461 S * 11/2008 Li D19/163
 D609,744 S * 2/2010 Rathod D19/173
 D631,913 S * 2/2011 Li D19/174

D648,387 S * 11/2011 Liang D19/172
 D651,242 S * 12/2011 Yuan D19/171
 D652,452 S * 1/2012 Casciotti D19/201
 D656,193 S * 3/2012 Yuan D19/172
 D667,882 S * 9/2012 Uchiyama D19/172
 D672,813 S * 12/2012 Zhang D19/172
 D696,347 S * 12/2013 Yu D19/174
 D699,296 S * 2/2014 Wang D19/195
 D701,913 S * 4/2014 Li D19/173
 D726,825 S * 4/2015 Casciotti D19/171
 D753,768 S * 4/2016 Goodelman D19/171
 D771,749 S * 11/2016 Boisdevesys D19/171
 D787,595 S * 5/2017 Kim D19/174

OTHER PUBLICATIONS

Hub Pen Company's Enjoy Writing Catalog, 2013, (Javalina Mid-night) p. 60, and (Sirrona) p. 61.

* cited by examiner

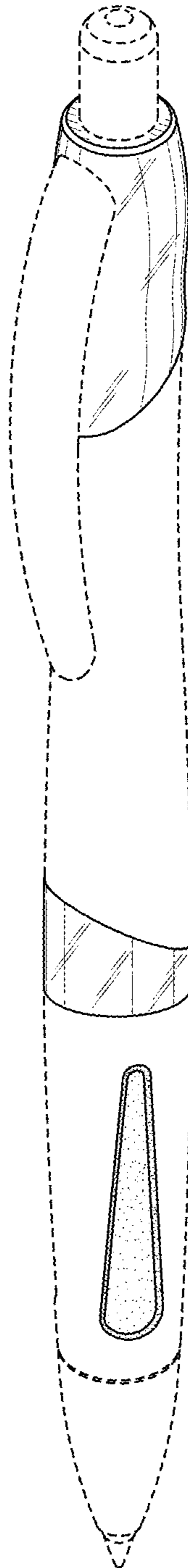


FIG. 1



FIG. 2

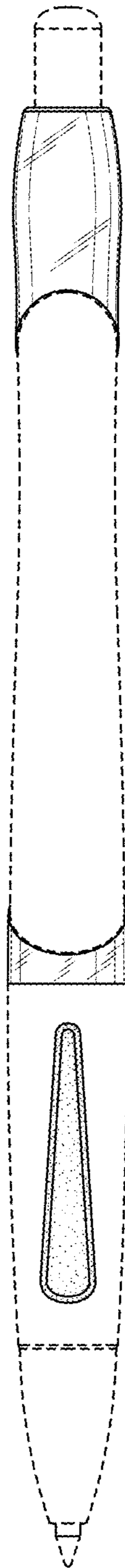


FIG. 3

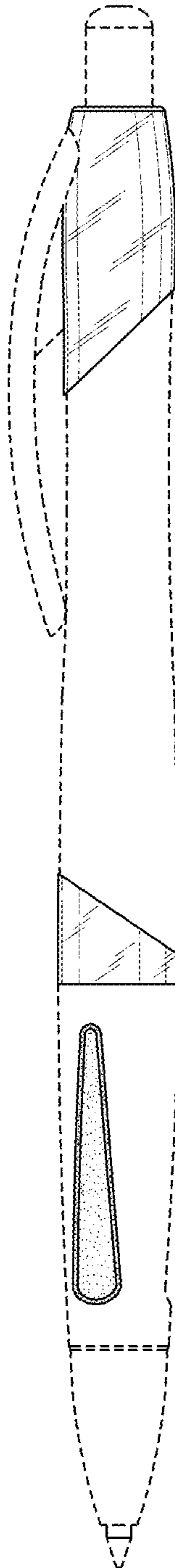


FIG. 4

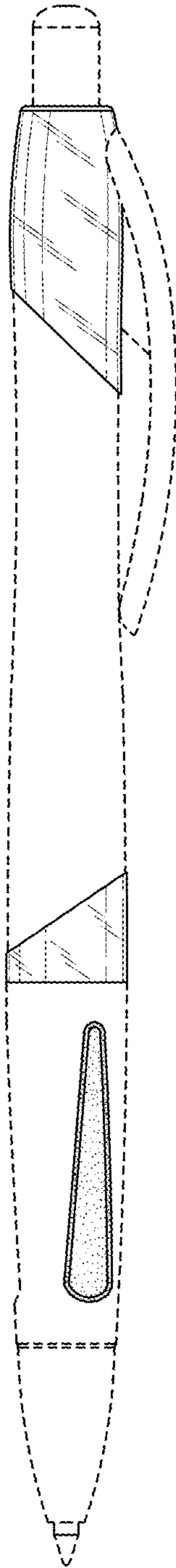


FIG. 5

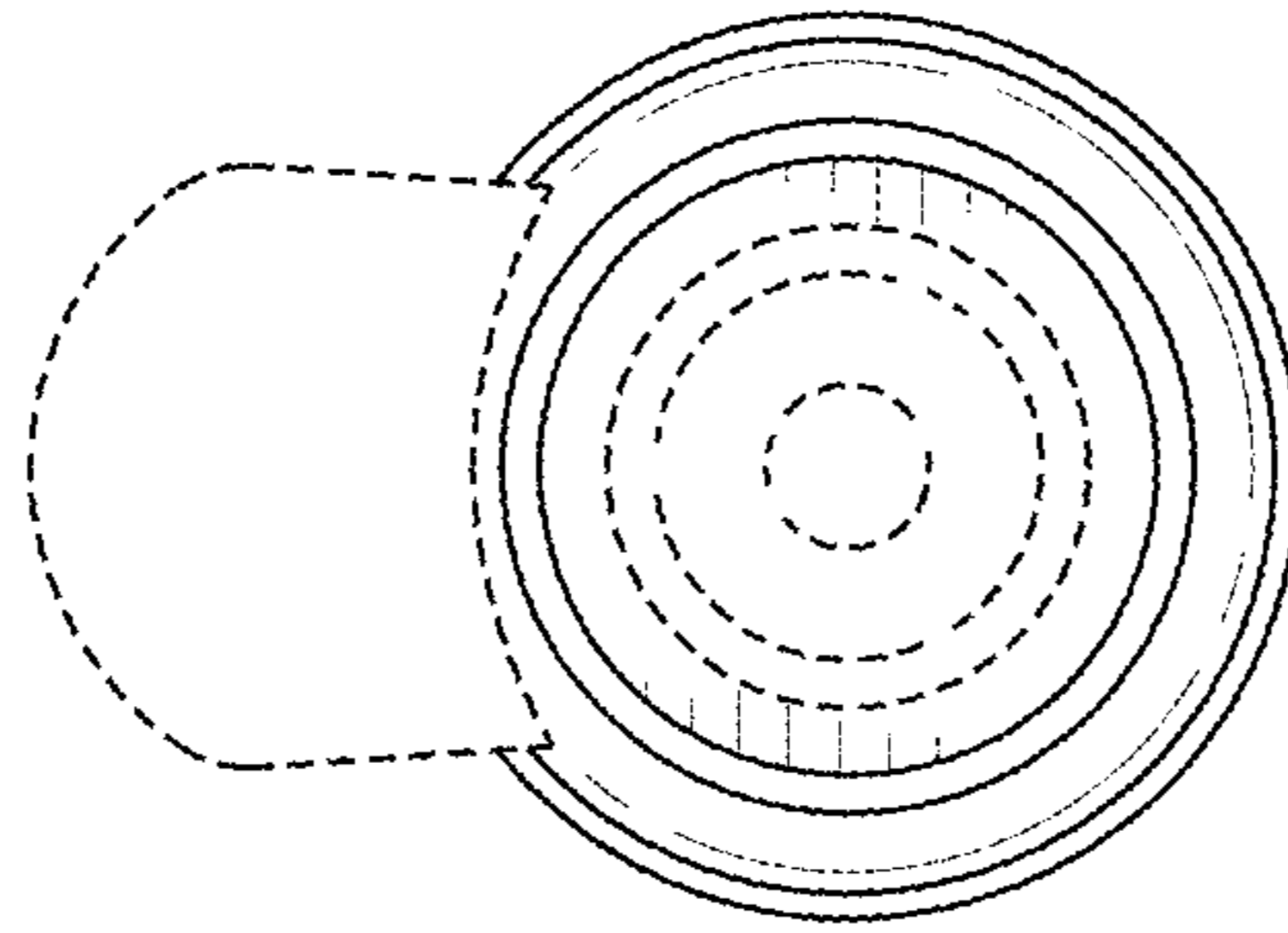


FIG. 6

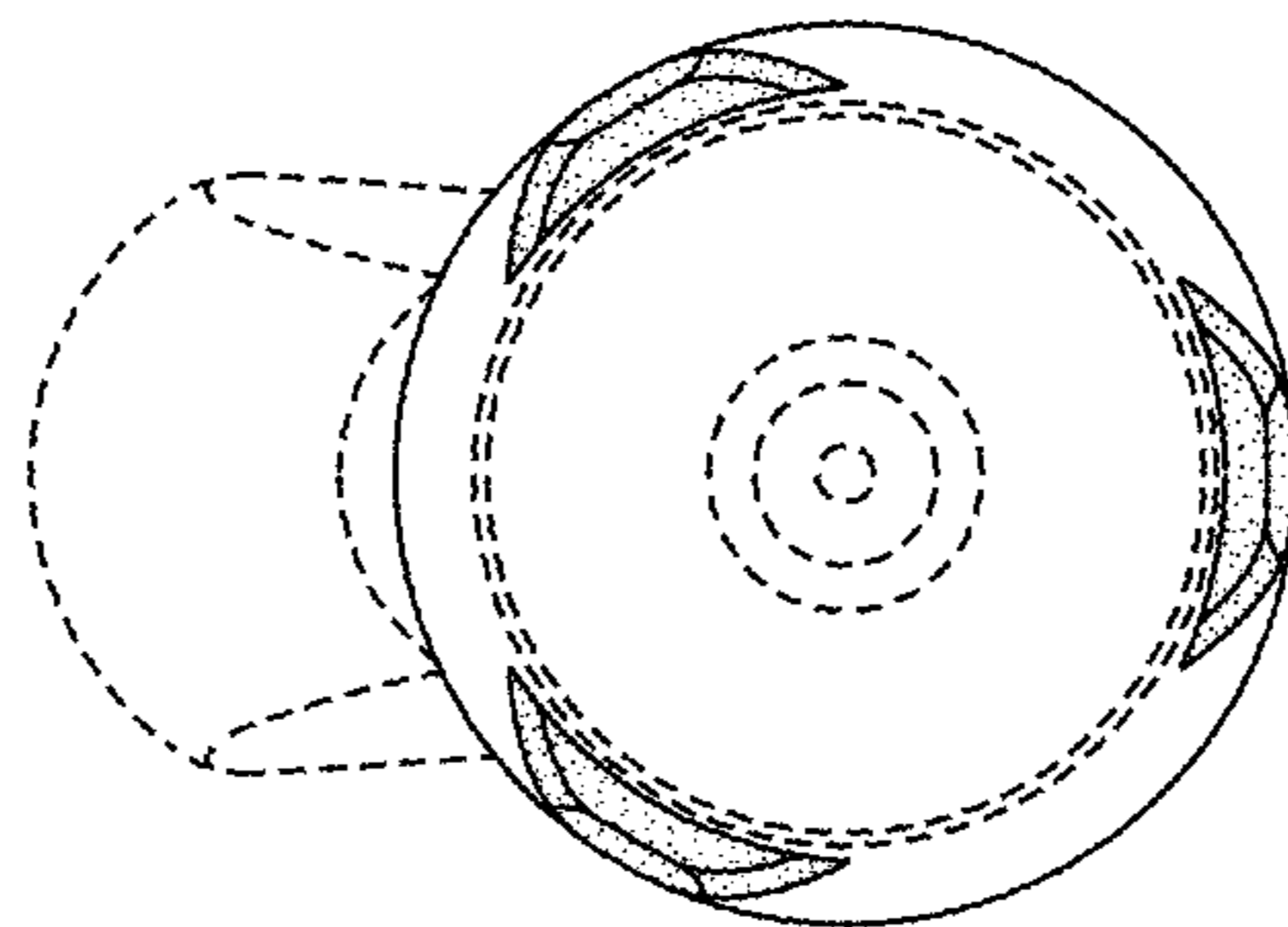


FIG. 7

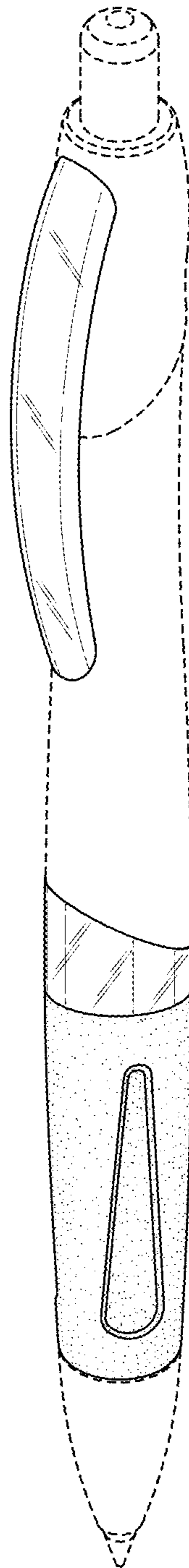


FIG. 8

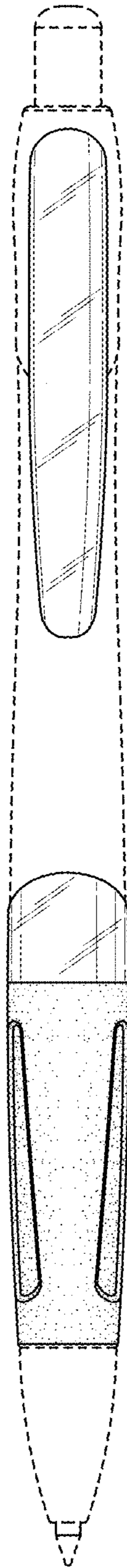


FIG. 9



FIG. 10

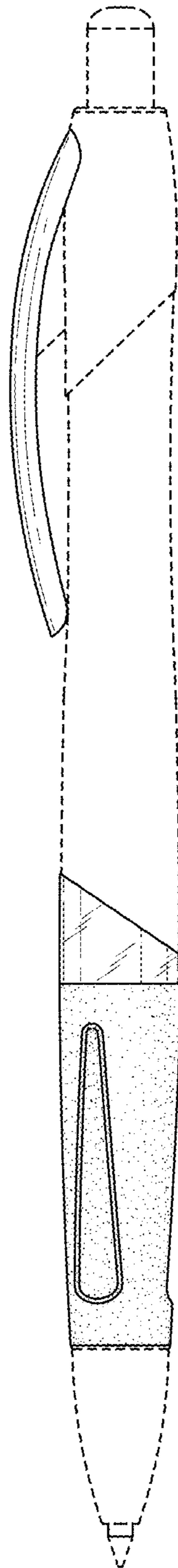


FIG. 11

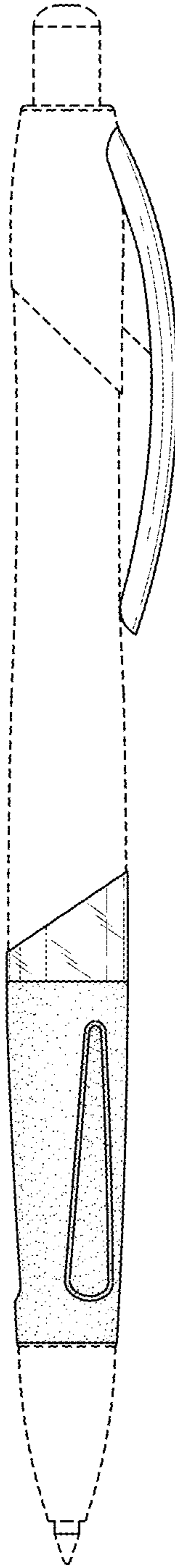


FIG. 12

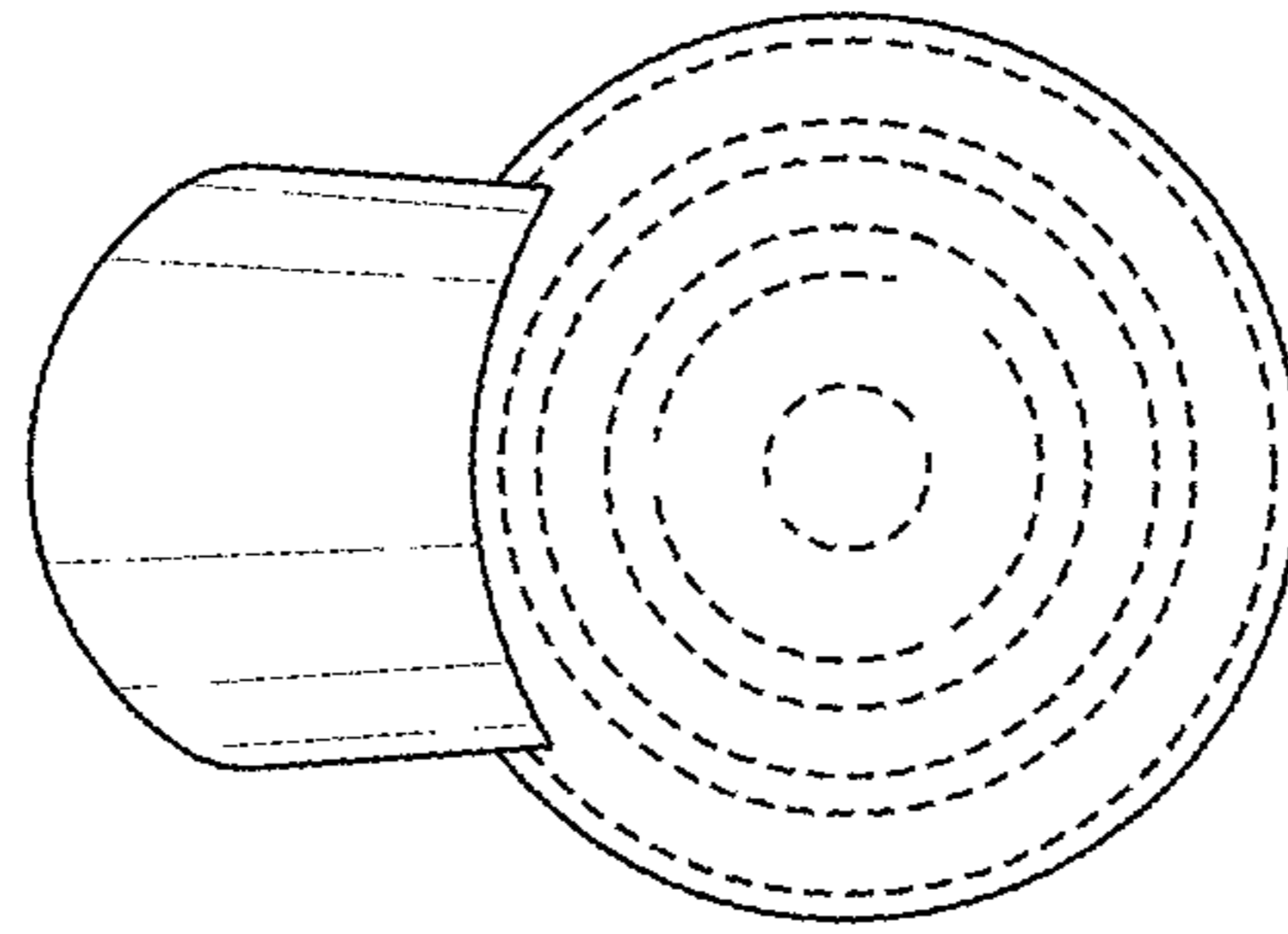


FIG. 13

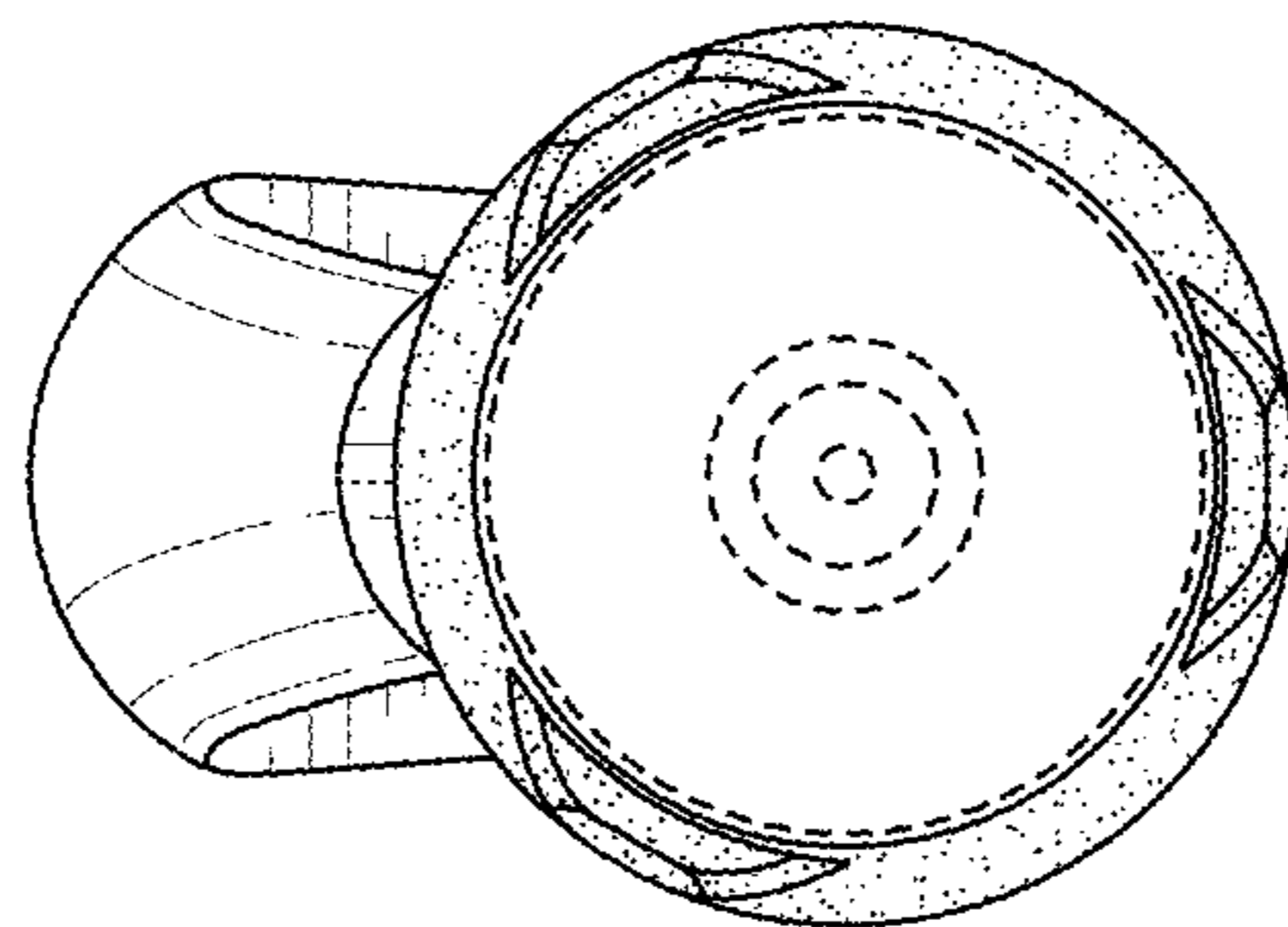


FIG. 14

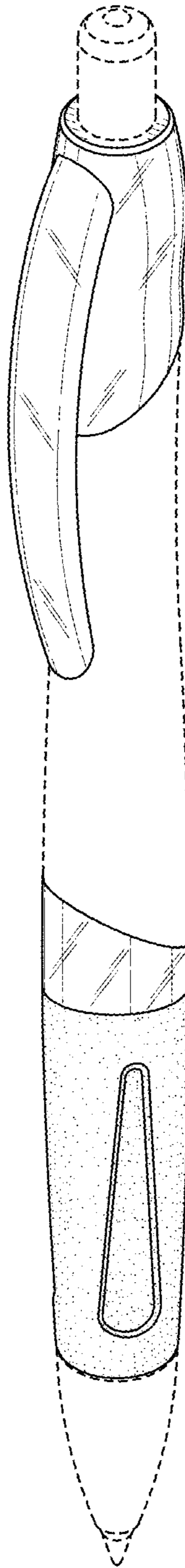


FIG. 15

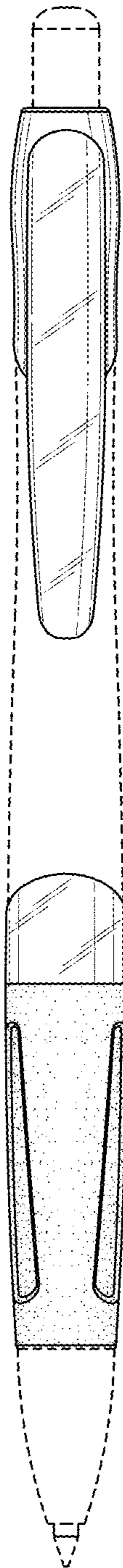


FIG. 16

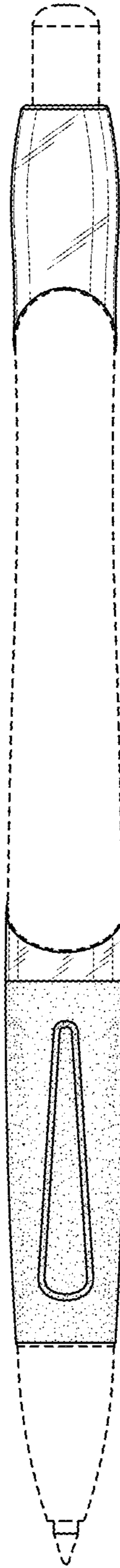


FIG. 17

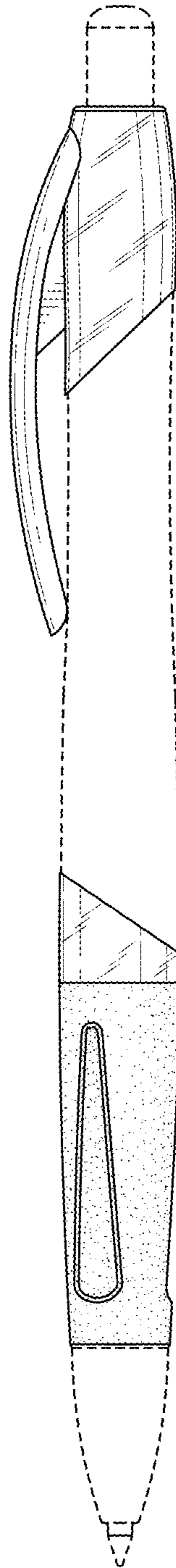


FIG. 18

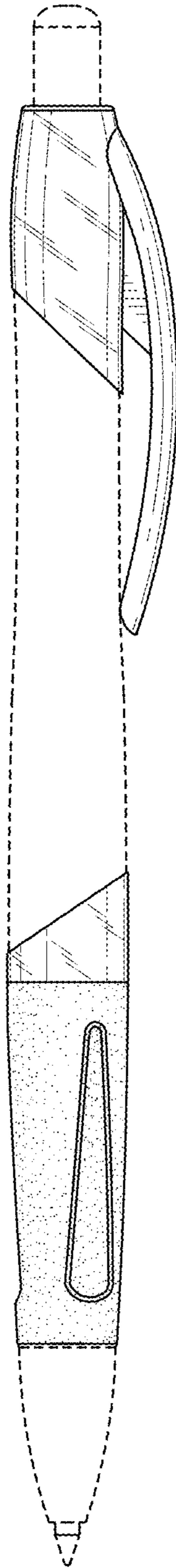


FIG. 19

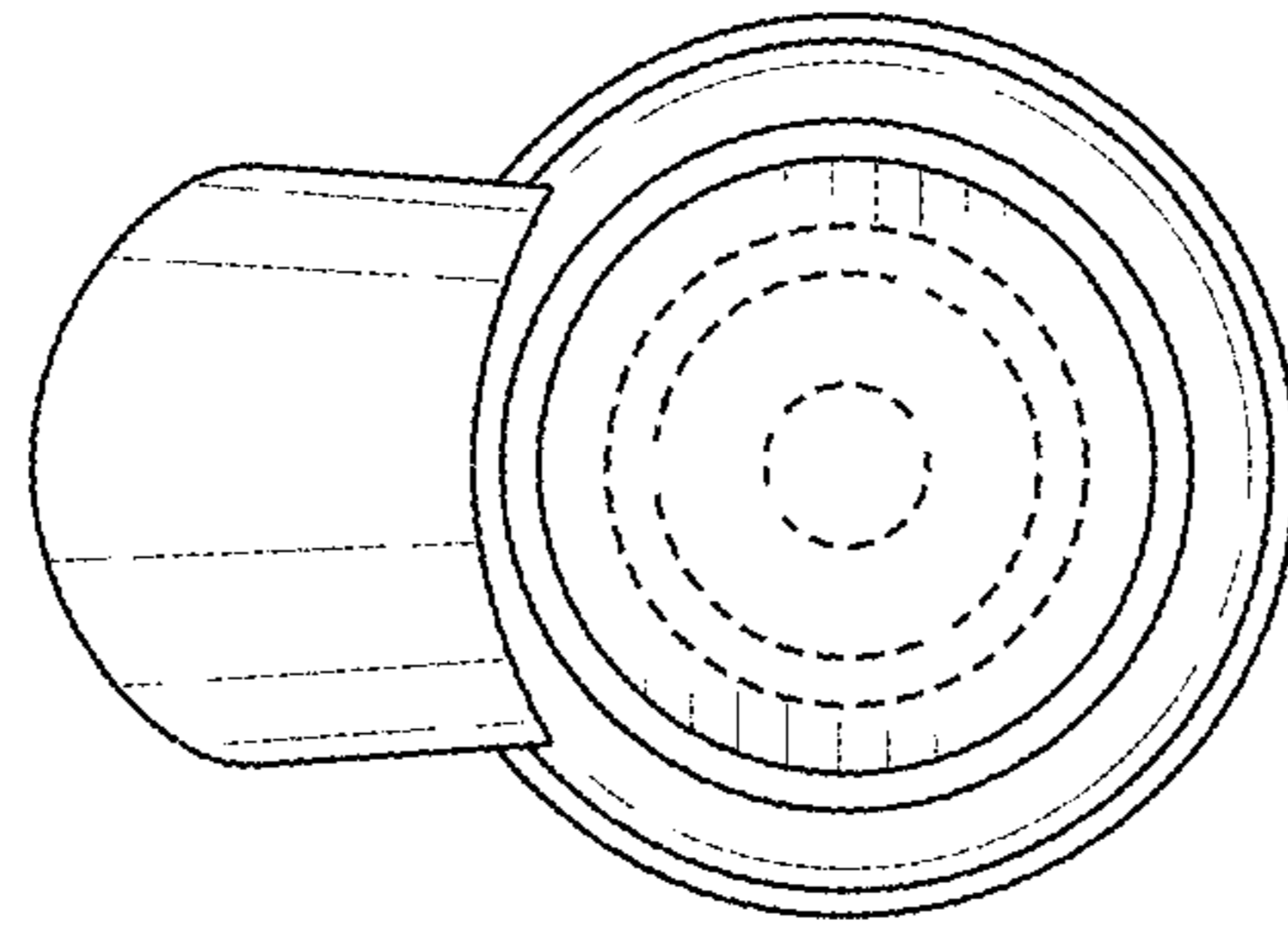


FIG. 20

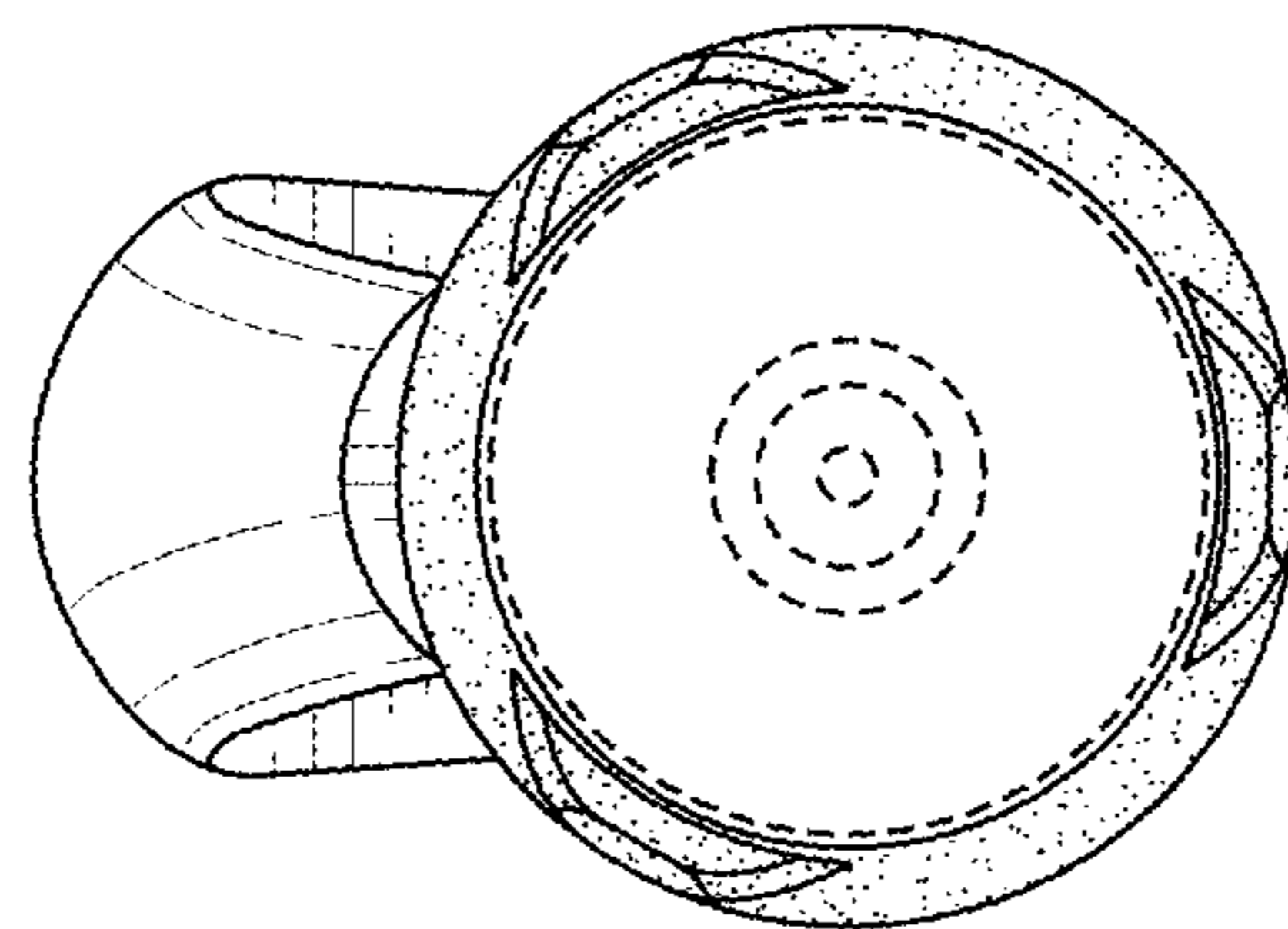


FIG. 21