



US00D825654S

(12) **United States Design Patent**  
**Nose et al.**

(10) **Patent No.:** **US D825,654 S**  
(45) **Date of Patent:** **\*\* Aug. 14, 2018**

- (54) **INK STORAGE ATTACHMENT**
- (71) Applicant: **SEIKO EPSON CORPORATION**,  
Tokyo (JP)
- (72) Inventors: **Hiroshi Nose**, Shiojiri (JP); **Naoki Naito**, Matsumoto (JP); **Masahiro Karasawa**, Matsumoto (JP); **Yuji Aoki**, Nagano (JP)
- (73) Assignee: **SEIKO EPSON CORPORATION**,  
Tokyo (JP)
- (\*\*) Term: **15 Years**
- (21) Appl. No.: **29/601,628**
- (22) Filed: **Apr. 25, 2017**
- (30) **Foreign Application Priority Data**  
Oct. 31, 2016 (JP) ..... 2016-023629
- (51) **LOC (11) Cl.** ..... **18-02**
- (52) **U.S. Cl.**  
USPC ..... **D18/56**
- (58) **Field of Classification Search**  
USPC ..... D18/56, 18, 40, 43, 99; 347/86  
CPC ..... G03G 15/0832; G03G 15/0834; G03G 15/0836; G03G 15/0837; G03G 15/0867; G03G 15/0868; G03G 15/0872  
See application file for complete search history.

D519,552 S *	4/2006	Carriere .....	D18/56
D519,554 S *	4/2006	Sasaki .....	347/86
D523,075 S *	6/2006	Sasaki .....	347/86
D526,353 S *	8/2006	Wakayama .....	347/86
D529,953 S *	10/2006	Benyou .....	D18/56
D530,365 S *	10/2006	Wakayama .....	D18/56
D662,542 S *	6/2012	Nagashima .....	D18/43
D777,831 S *	1/2017	Anderson .....	D18/43
D791,228 S *	7/2017	Sue .....	D18/43
D798,156 S *	9/2017	Robson .....	D18/56
2013/0201262 A1 *	8/2013	Iwamura .....	B41J 2/17503 347/86
2017/0232753 A1 *	8/2017	Tomlin .....	B41J 2/17559 347/86

\* cited by examiner

*Primary Examiner* — Robin V Webster  
*Assistant Examiner* — James C Thorn, Sr.

(57) **CLAIM**

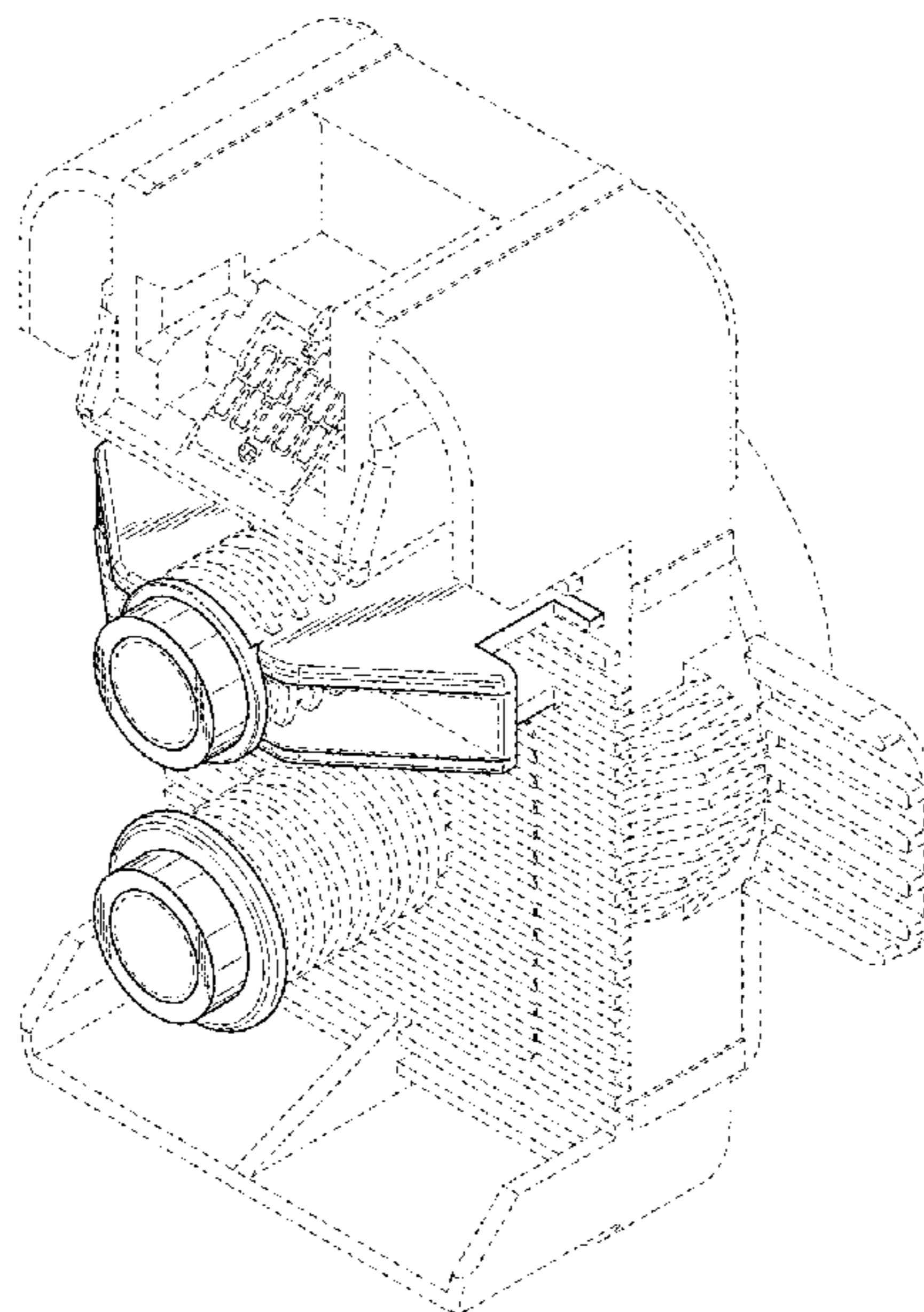
The ornamental design for an ink storage attachment, as shown and described.

**DESCRIPTION**

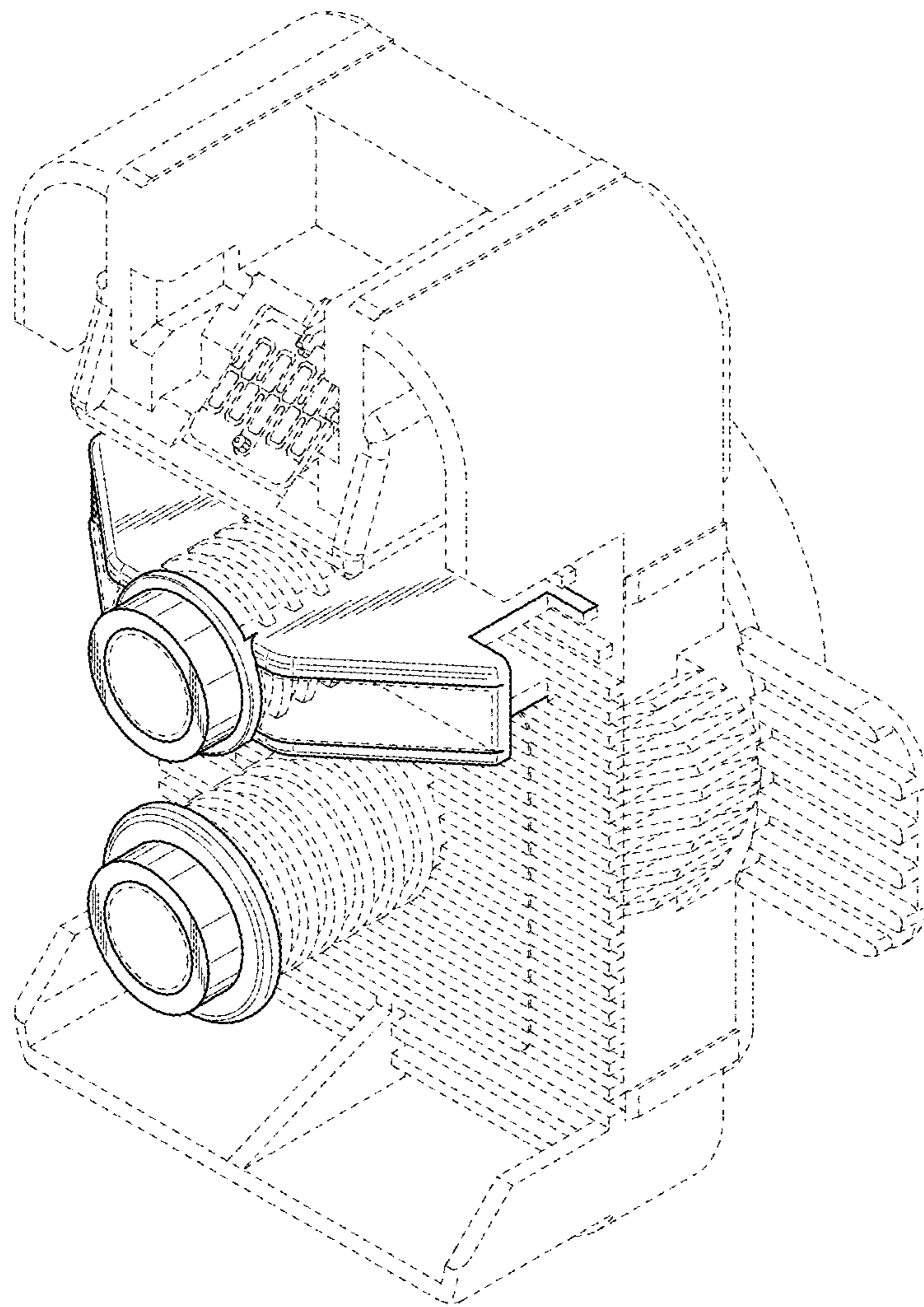
FIG. 1 is a front, top, and right side perspective view of an ink storage attachment showing our new design;  
 FIG. 2 is a front, bottom and left side perspective view thereof;  
 FIG. 3 is a front view thereof;  
 FIG. 4 is a rear view thereof;  
 FIG. 5 is a top plan view thereof;  
 FIG. 6 is a bottom plan view thereof;  
 FIG. 7 is a left side view thereof; and,  
 FIG. 8 is a right side view thereof.  
 The broken lines illustrate portions of the ink storage attachment and form no part of the claimed design.

**1 Claim, 8 Drawing Sheets**

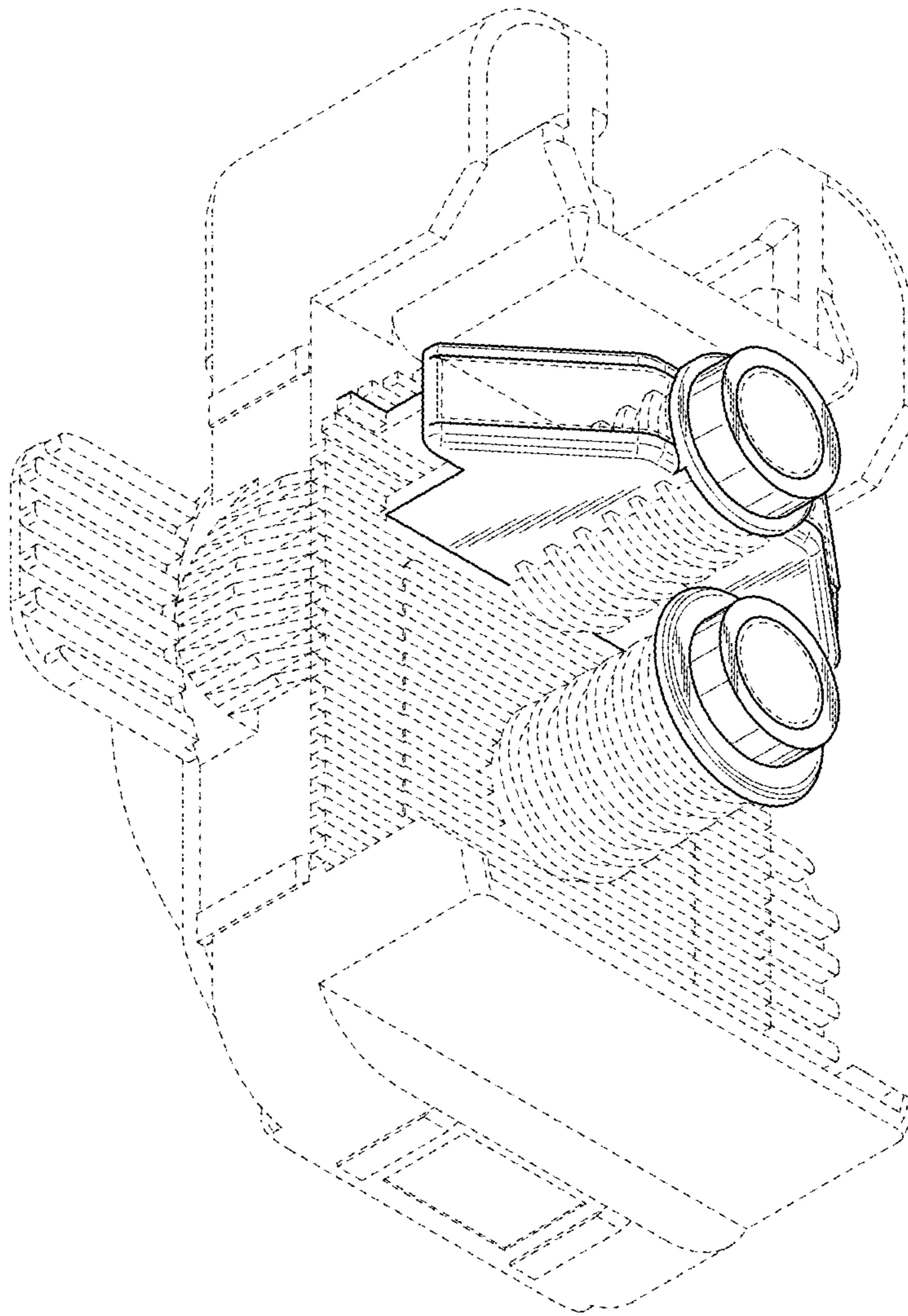
- (56) **References Cited**  
U.S. PATENT DOCUMENTS  
D463,818 S \* 10/2002 Fujinuma ..... D18/43  
D490,102 S \* 5/2004 Umeyama ..... 347/86



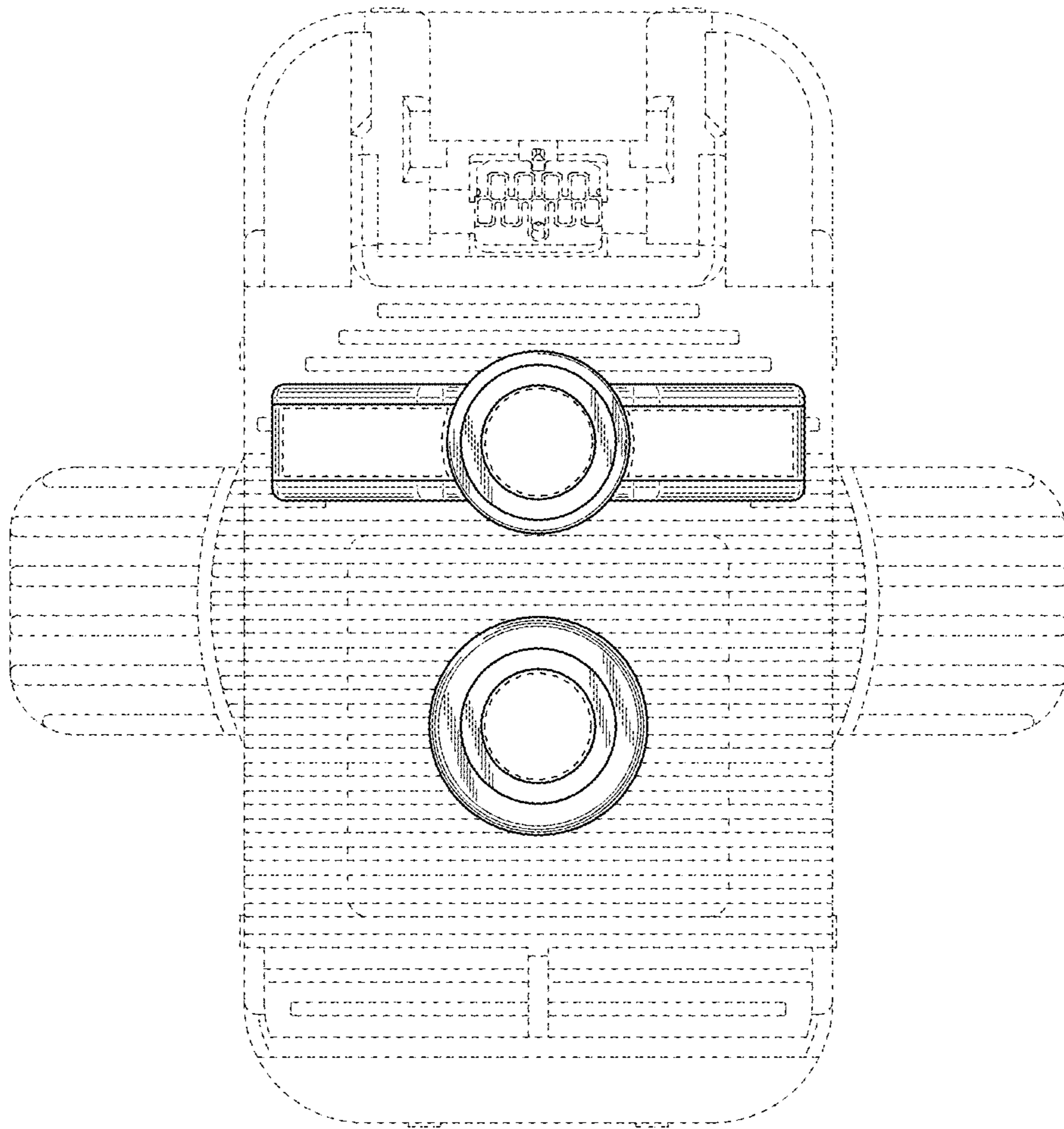
**FIG. 1**



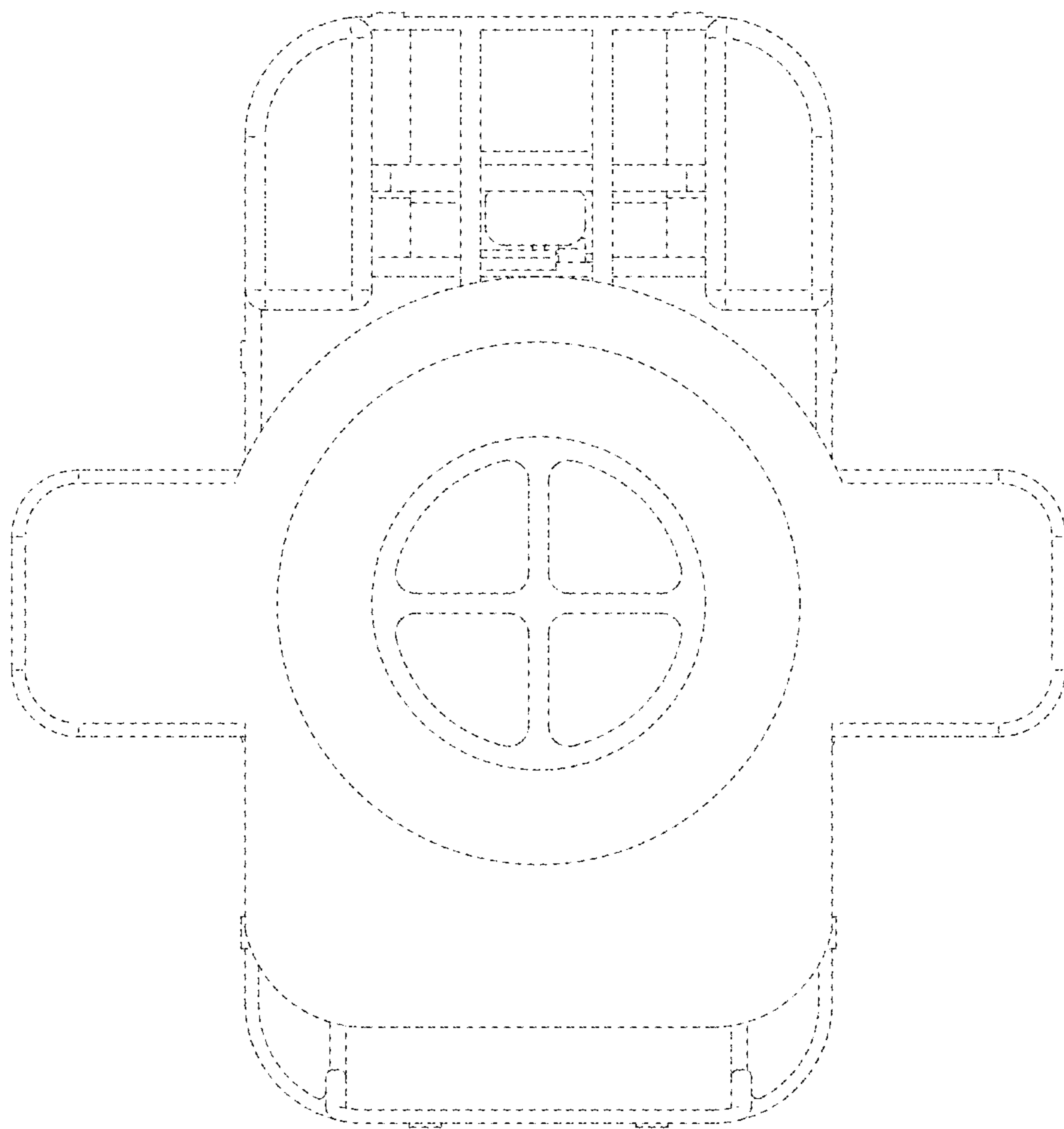
**FIG. 2**



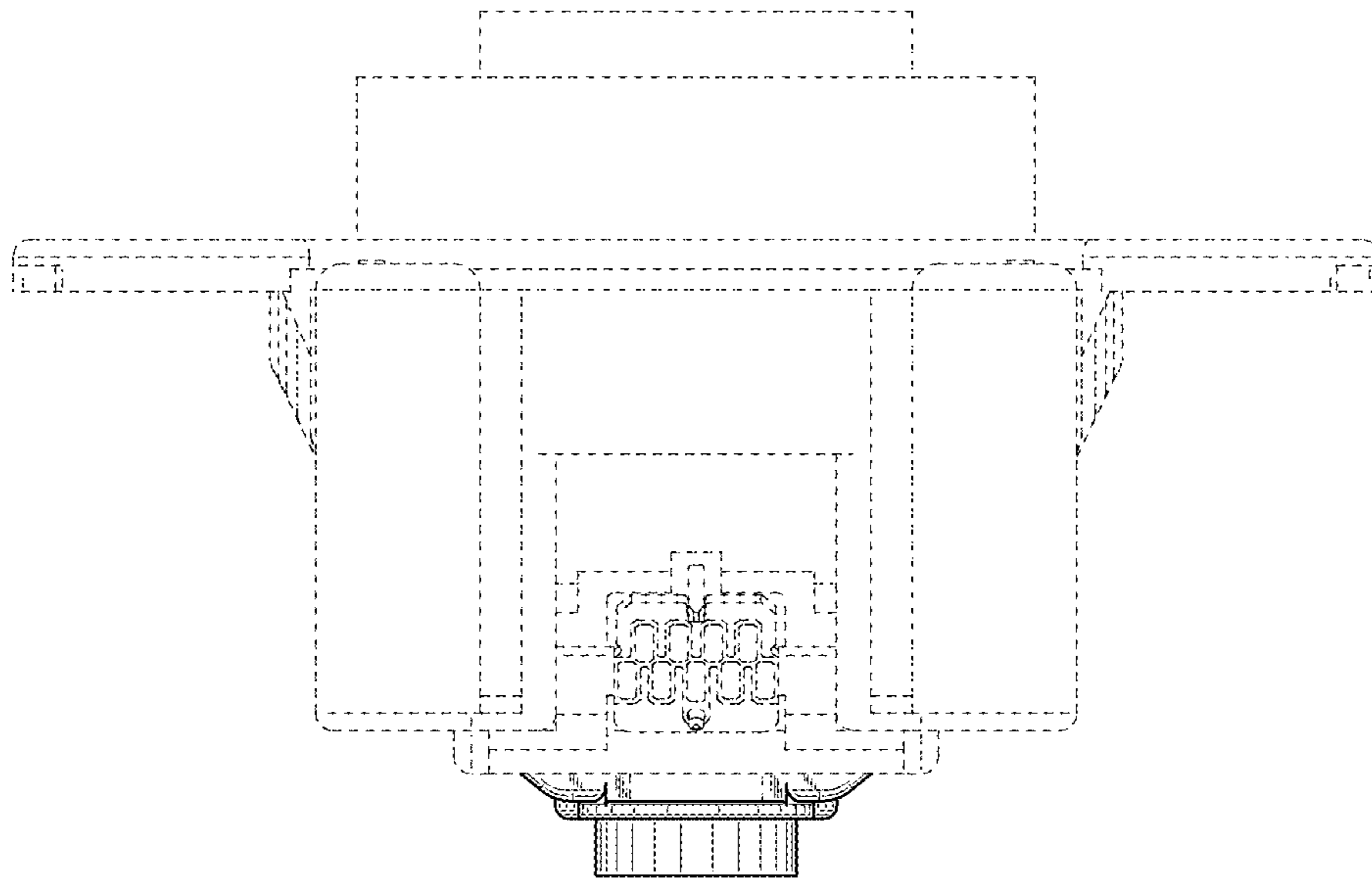
**FIG. 3**



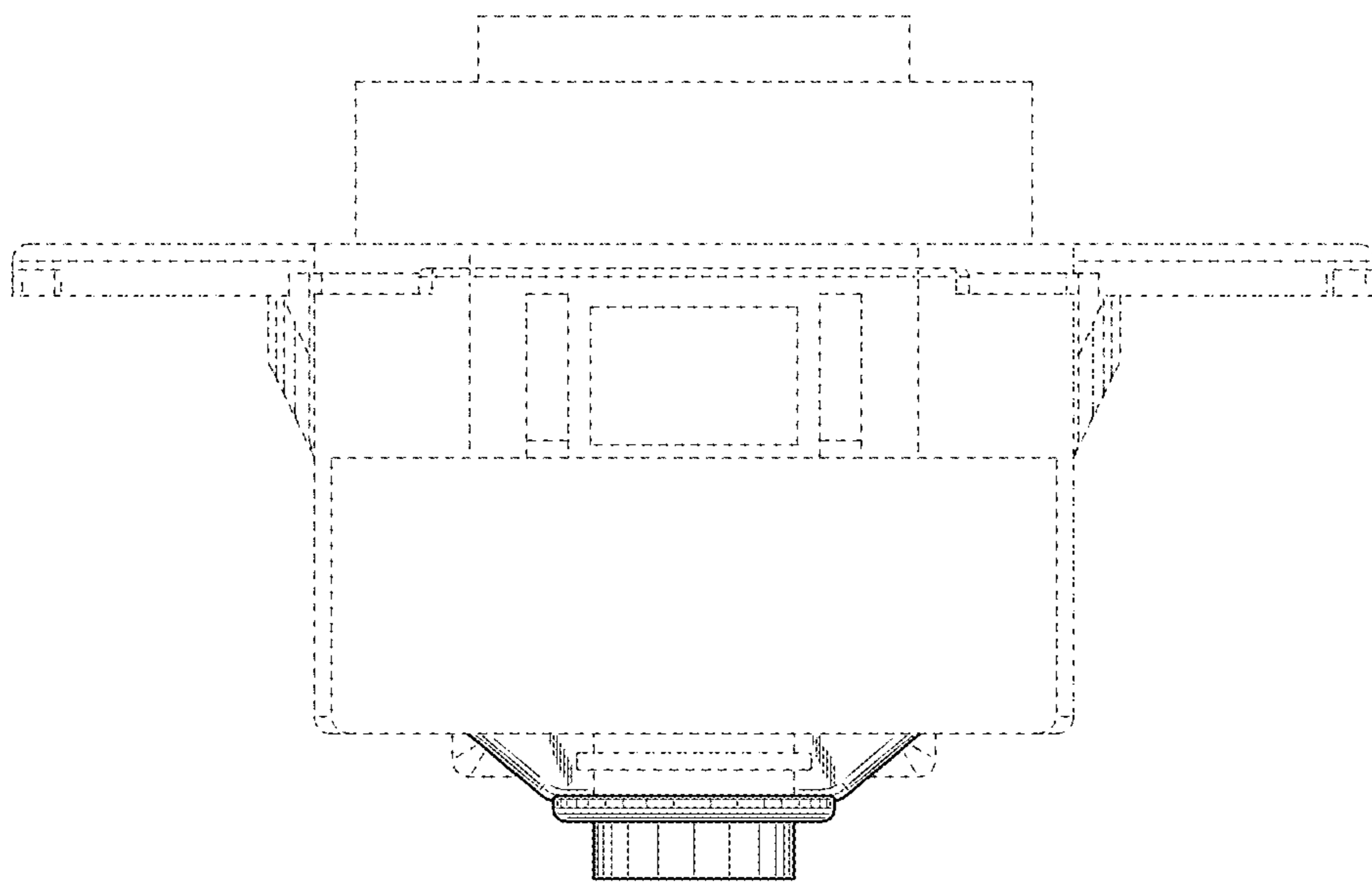
**FIG. 4**



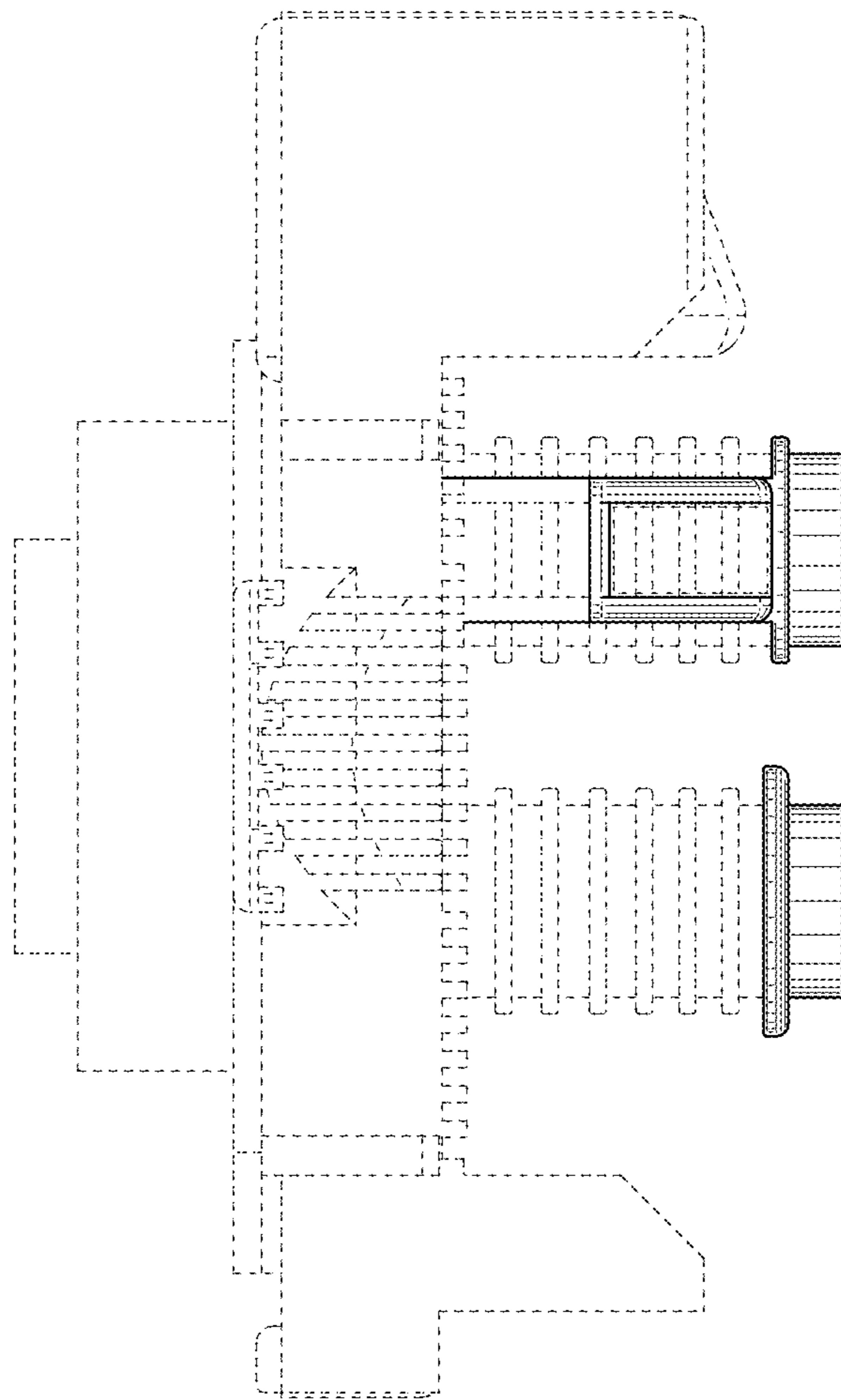
*FIG. 5*



**FIG. 6**



**FIG. 7**





**FIG. 8**

