



US00D825652S

(12) **United States Design Patent**  
**Gumbe**

(10) **Patent No.:** **US D825,652 S**

(45) **Date of Patent:** **\*\* Aug. 14, 2018**

(54) **TONER CARTRIDGE**

(71) Applicant: **TOSHIBA TEC KABUSHIKI KAISHA**, Shinagawa-ku, Tokyo (JP)

(72) Inventor: **Eiji Gumbe**, Kanagawa-ken (JP)

(73) Assignee: **Toshiba Tec Kabushiki Kaisha**, Tokyo (JP)

(\*\*) Term: **15 Years**

(21) Appl. No.: **29/536,503**

(22) Filed: **Aug. 17, 2015**

**Related U.S. Application Data**

(63) Continuation of application No. 29/450,763, filed on Mar. 22, 2013, now abandoned.

(30) **Foreign Application Priority Data**

Sep. 24, 2012 (JP) ..... D2012-23014

(51) **LOC (11) Cl.** ..... **16-03**

(52) **U.S. Cl.**  
USPC ..... **D18/43**

(58) **Field of Classification Search**

USPC ..... D18/12, 36, 40, 43, 44, 56; D14/471; 347/49, 50, 197, 222; 399/11, 106, 119, 399/120, 230, 258

CPC .. B41J 2/1752; B41J 2/14072; B41J 2202/20; B41J 25/316; B41J 2/325; B41J 15/042; G03G 15/0841; G03G 15/0832; G03G 15/0896; G03G 2221/163; G03G 21/12

See application file for complete search history.

(56) **References Cited**

**U.S. PATENT DOCUMENTS**

D451,538 S 12/2001 Schwamkrug et al.  
D524,848 S 7/2006 Murata

D524,850 S \* 7/2006 Hashimoto ..... D18/43  
D525,289 S 7/2006 Murata  
D559,894 S 1/2008 Sato  
D559,895 S \* 1/2008 Sato ..... D18/43  
D567,282 S \* 4/2008 Yamamoto ..... D18/43  
D569,417 S 5/2008 Asakawa  
D574,038 S \* 7/2008 Sakabe ..... D18/43

(Continued)

**OTHER PUBLICATIONS**

Advisory Action dated Aug. 4, 2015, in U.S. Appl. No. 29/450,763.

(Continued)

*Primary Examiner* — Philip S Hyder

*Assistant Examiner* — Ramzi S Almatrahi

(74) *Attorney, Agent, or Firm* — Foley & Lardner LLP

(57) **CLAIM**

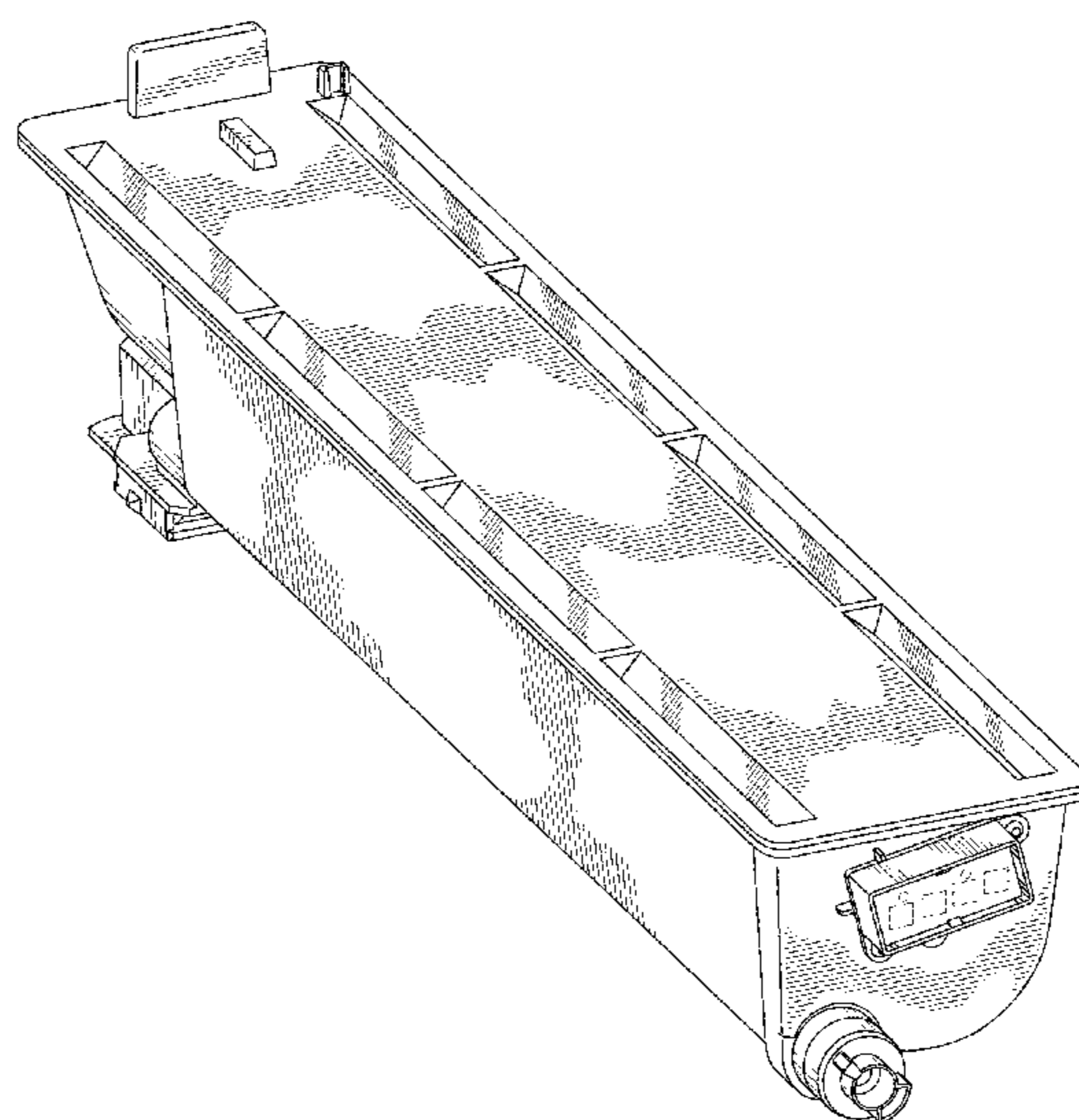
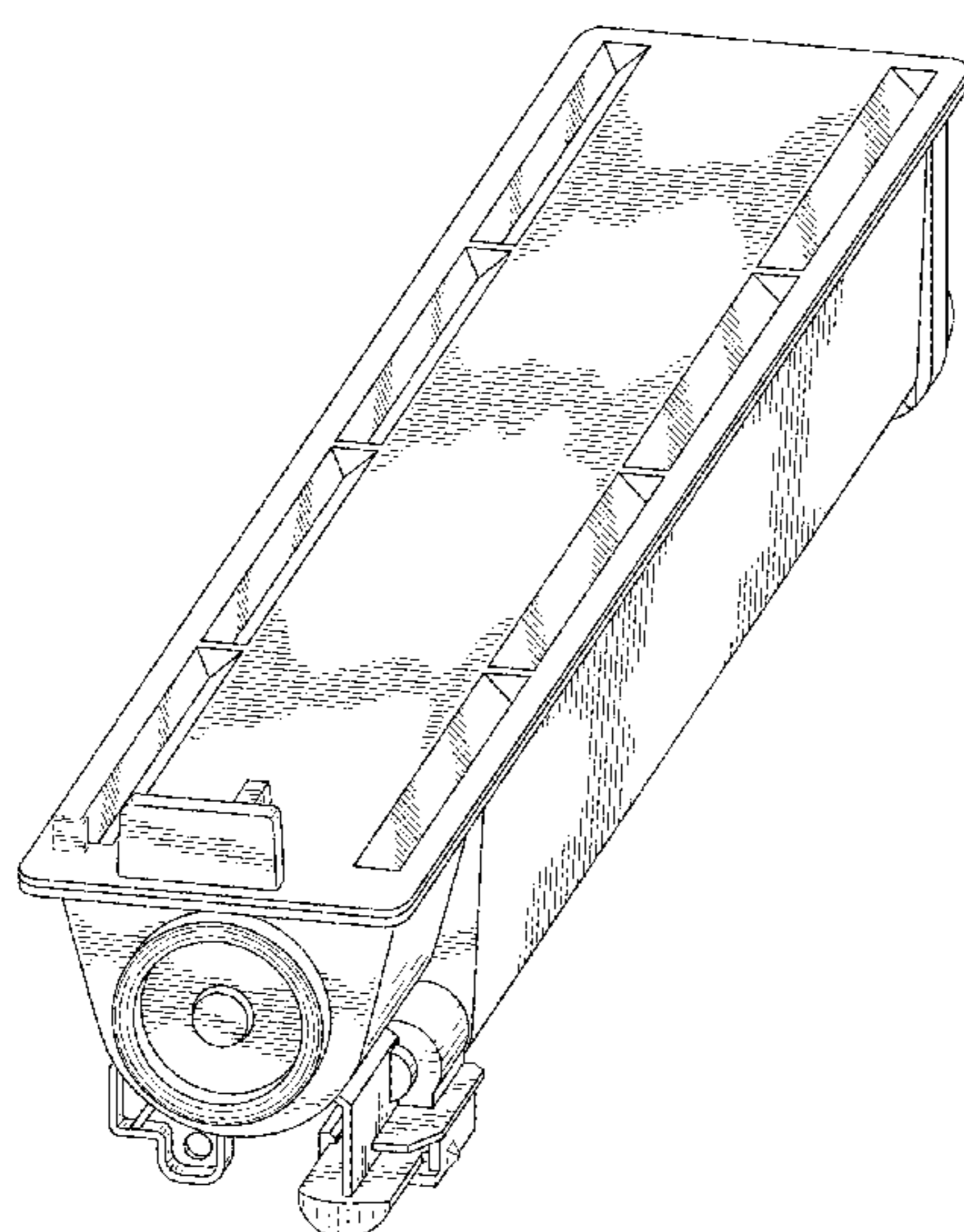
The ornamental design for a toner cartridge, as shown and described.

**DESCRIPTION**

FIG. 1 is a front, top, and left side perspective view of a toner cartridge showing my new design; FIG. 2 is a rear, top, and left side perspective view thereof; FIG. 3 is a rear, top, and right side perspective view thereof; FIG. 4 is a front, top, and right side perspective view thereof; FIG. 5 is a front view thereof; FIG. 6 is a rear view thereof; FIG. 7 is a top view thereof; FIG. 8 is a bottom view thereof; FIG. 9 is a right side view thereof; and, FIG. 10 is a left side view thereof.

The broken lines depict portions of the toner cartridge in which the design is embodied that form no part of the claimed design.

**1 Claim, 7 Drawing Sheets**



(56)

**References Cited**

U.S. PATENT DOCUMENTS

D585,483 S \* 1/2009 Sakabe ..... D18/43  
D585,484 S 1/2009 Tanaka  
D604,358 S 11/2009 Kinoshita et al.  
D617,373 S \* 6/2010 Yamaguchi ..... D18/43  
D620,045 S 7/2010 Fukuta et al.  
D621,870 S 8/2010 Eto  
D645,077 S \* 9/2011 Murata ..... D18/43  
D650,413 S \* 12/2011 Murata ..... D18/43  
D652,863 S \* 1/2012 Murata ..... D18/43  
D653,283 S 1/2012 Eto  
D679,750 S \* 4/2013 Fujii ..... D18/43  
D717,369 S \* 11/2014 Sato ..... D18/43  
D720,396 S \* 12/2014 Torimoto ..... D18/43  
D726,814 S \* 4/2015 Lapelosa ..... D18/40  
2011/0242221 A1 10/2011 Silverbrook et al.

OTHER PUBLICATIONS

Final Office Action dated Feb. 17, 2015 in U.S. Appl. No. 29/450,763.

Non-Final Office Action dated Mar. 14, 2014 in U.S. Appl. No. 29/450,763.

\* cited by examiner

FIG. 1

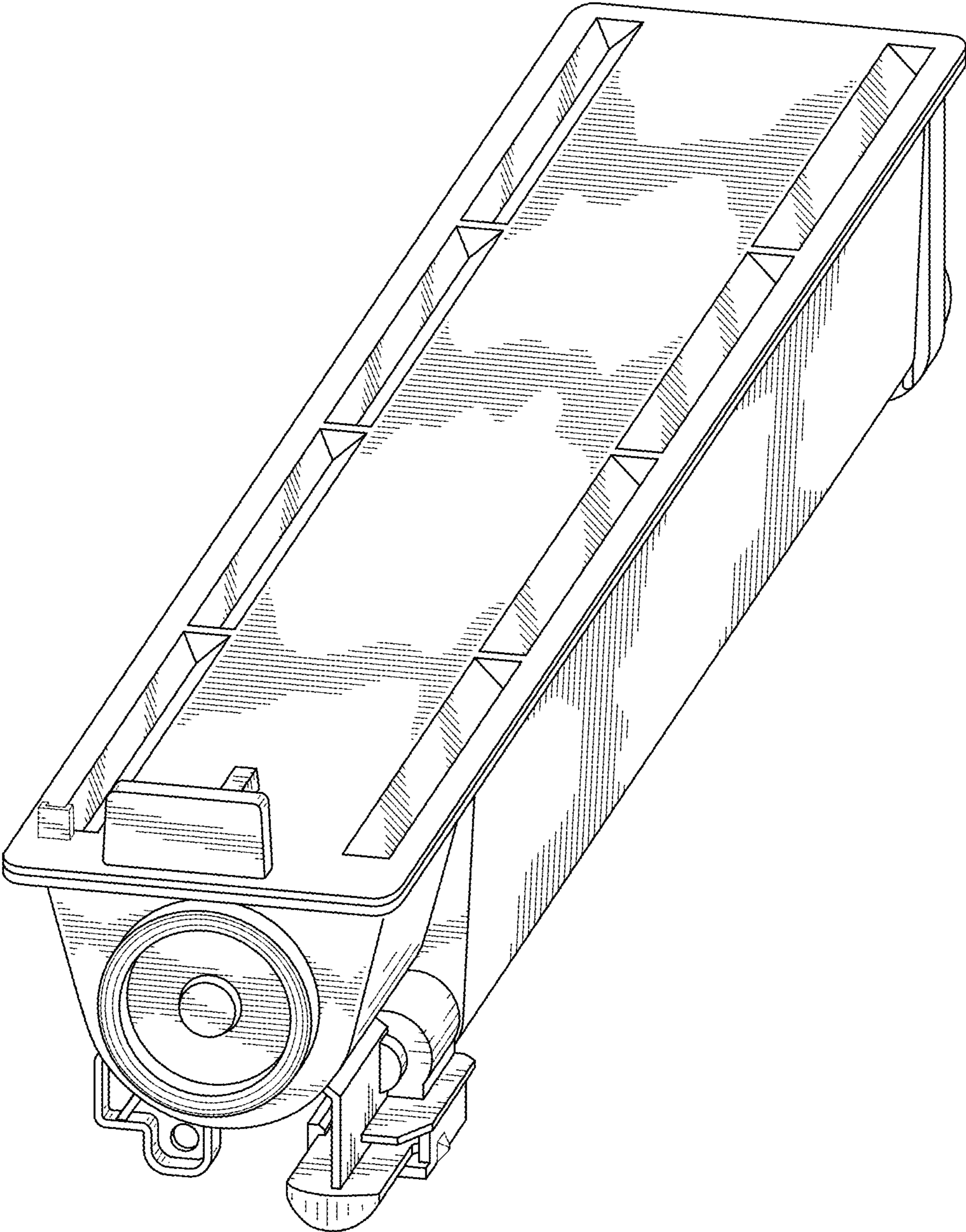


FIG. 2

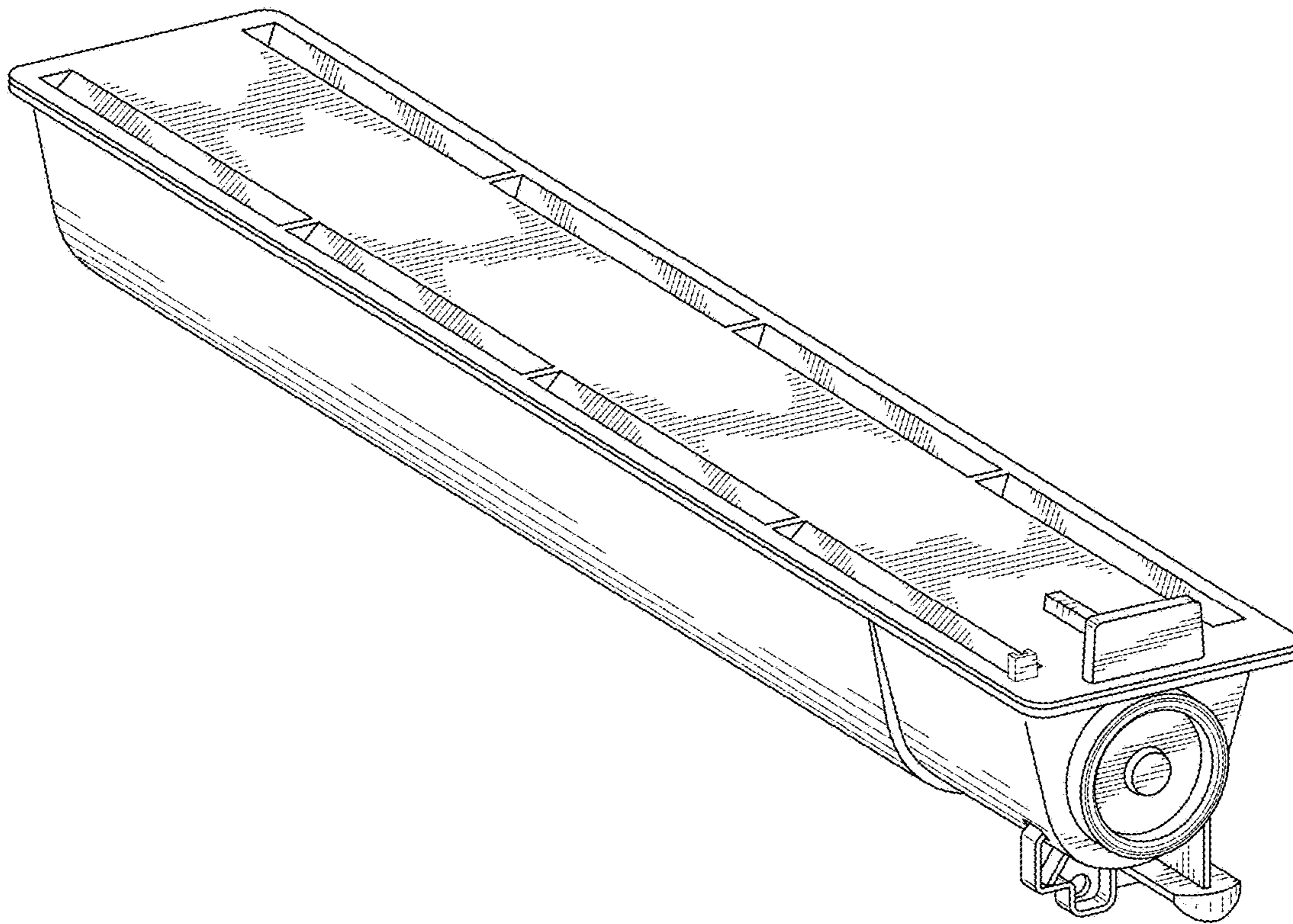


FIG. 3

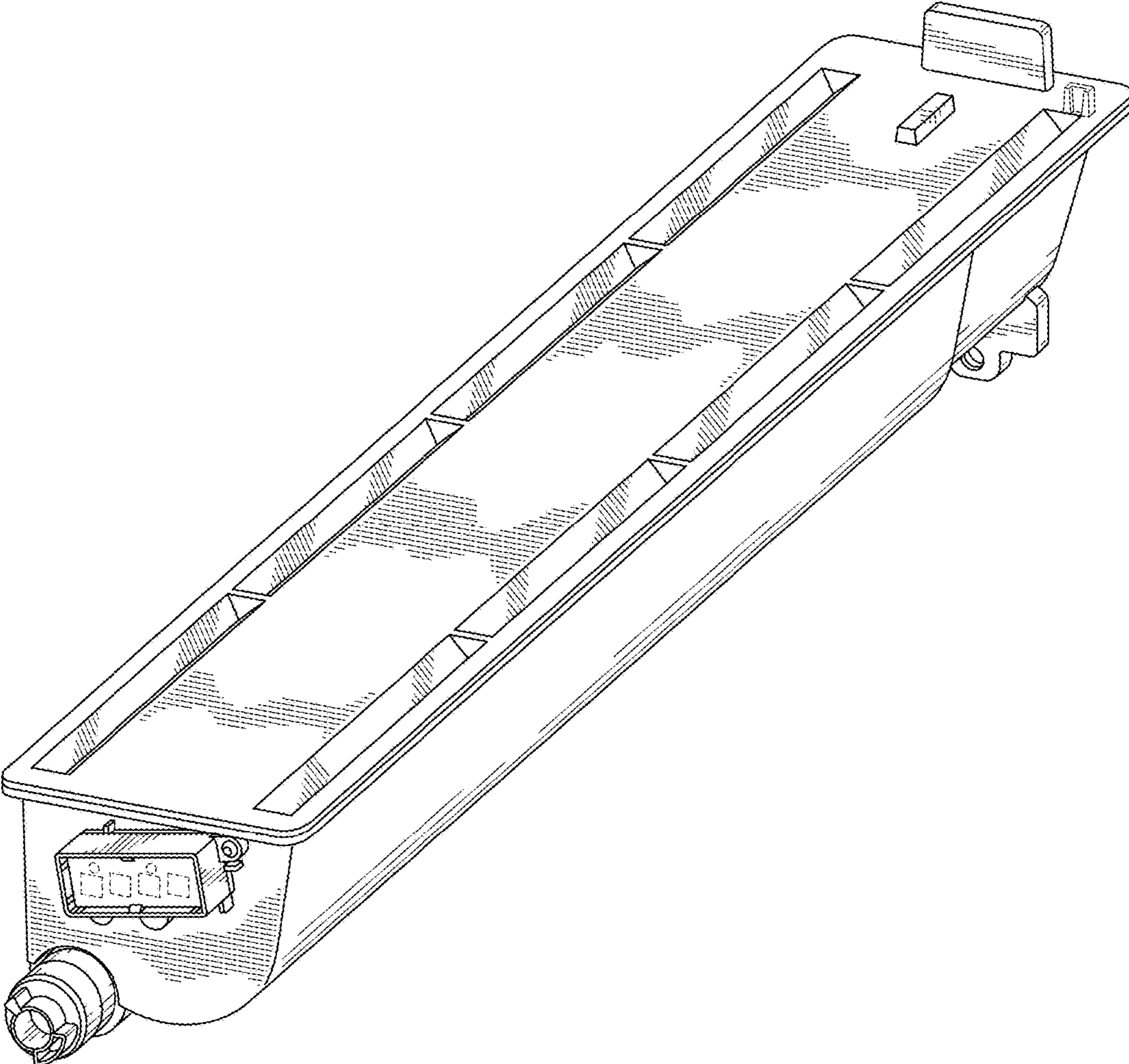


FIG. 4

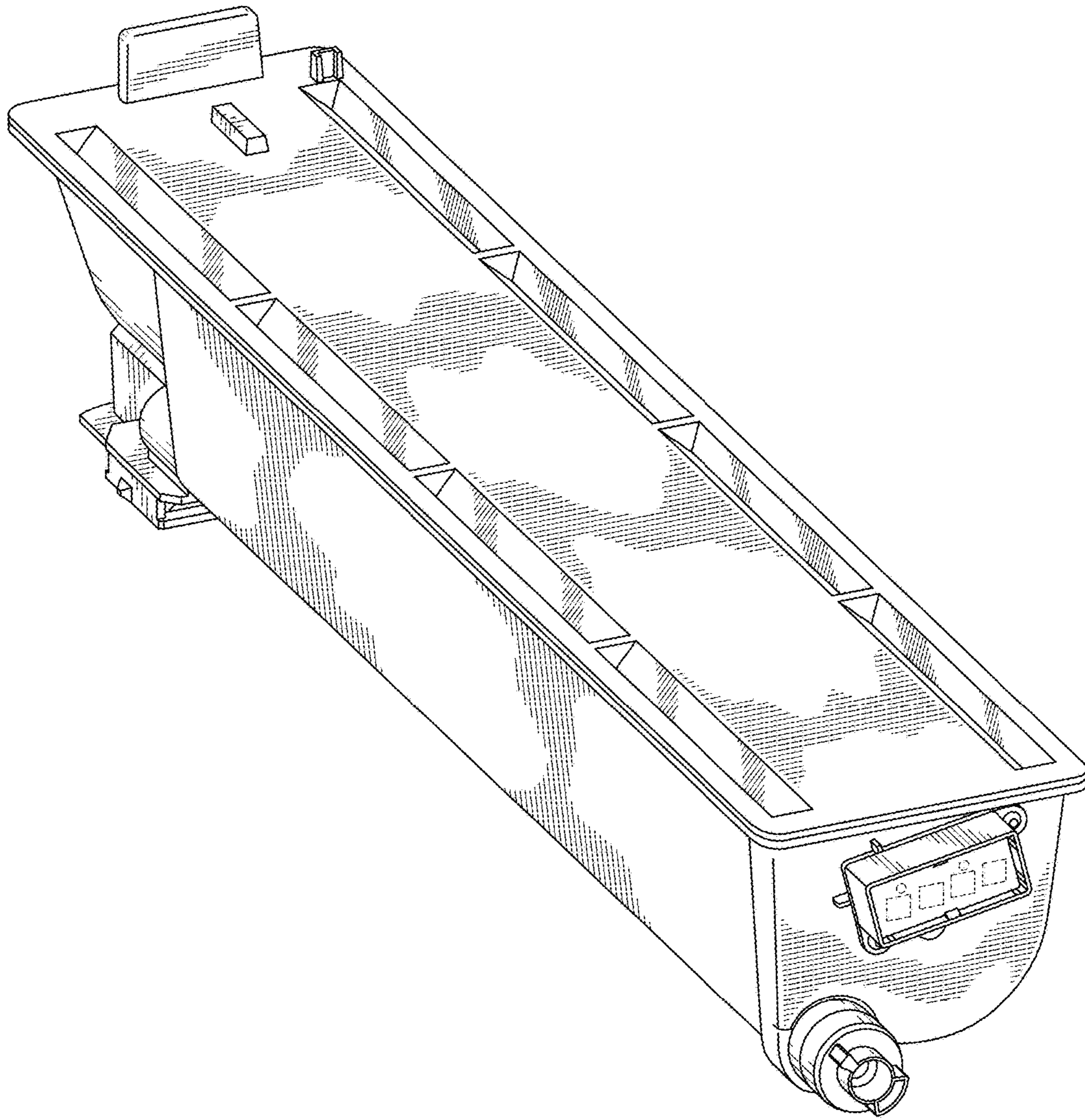


FIG. 5

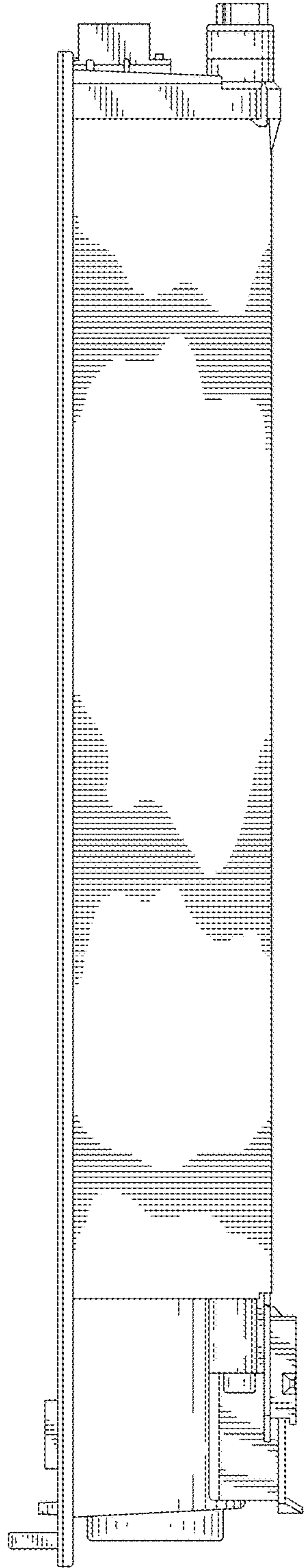


FIG. 6

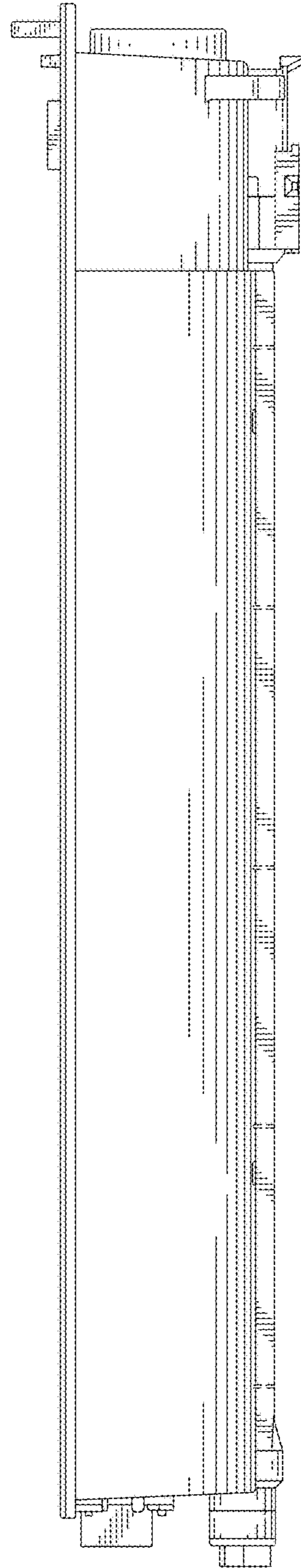


FIG. 7

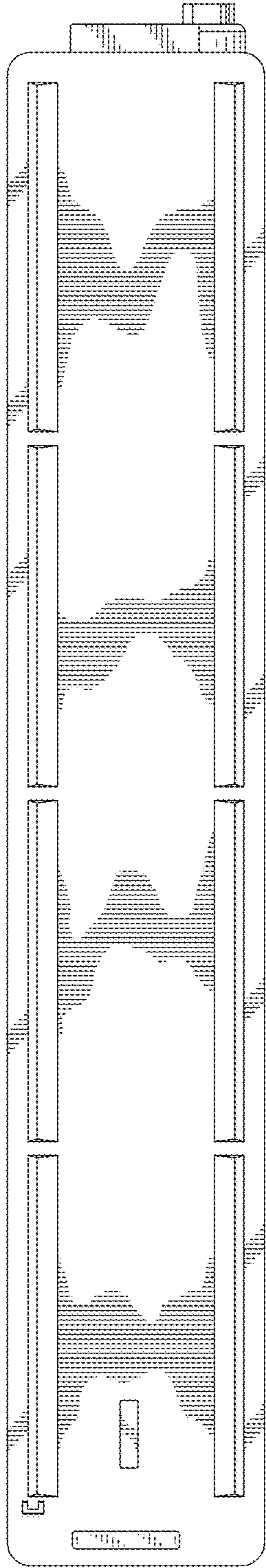


FIG. 8

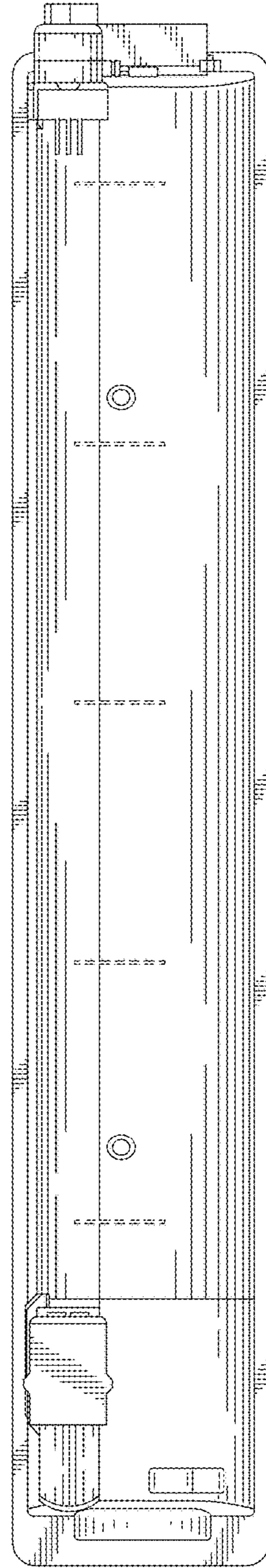




FIG. 9

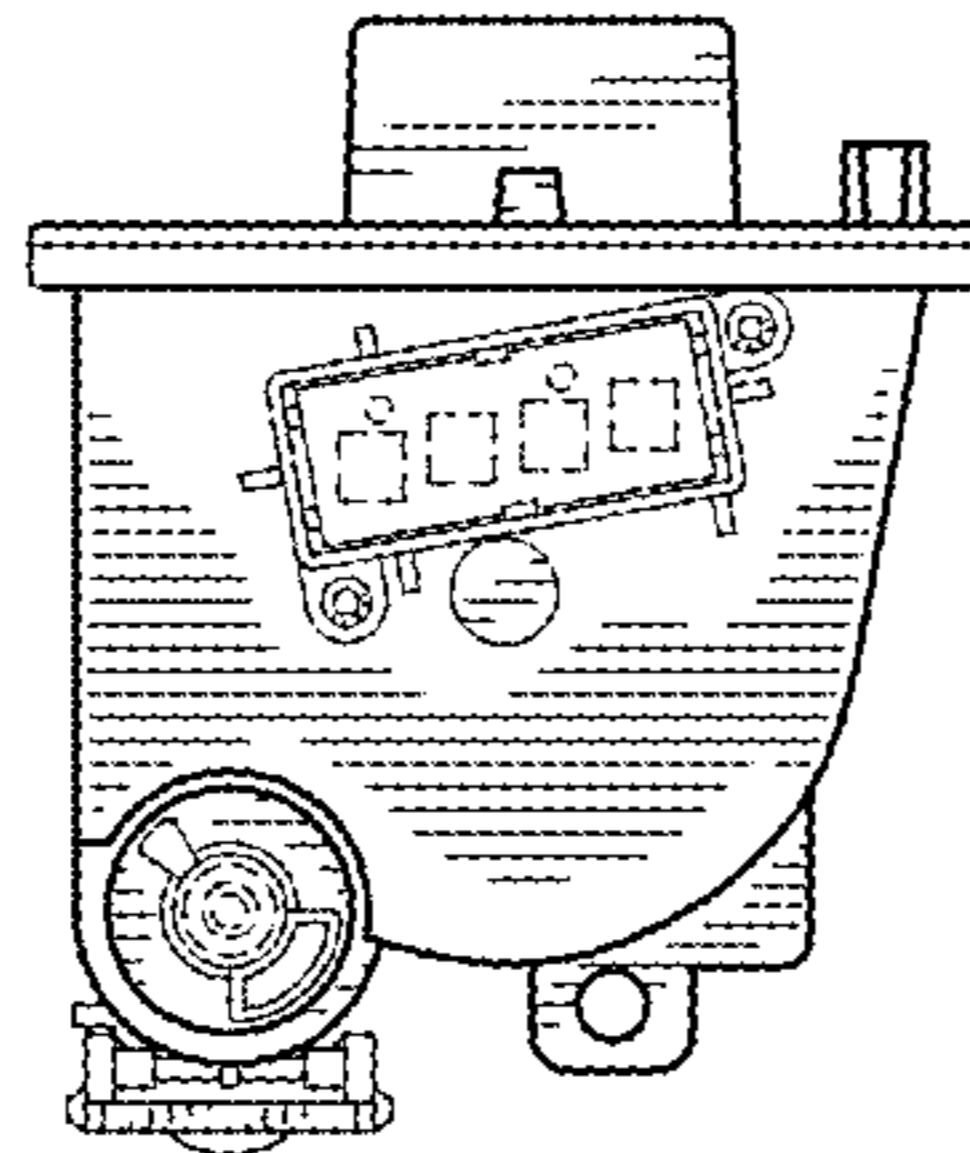


FIG. 10

