



US00D825649S

(12) **United States Design Patent** (10) **Patent No.:** **US D825,649 S**  
**White** (45) **Date of Patent:** **\*\* Aug. 14, 2018**

(54) **GUITAR STRING SETTING DEVICE** 7,347,762 B1 \* 3/2008 Long ..... A01M 31/04  
446/397  
(71) Applicant: **Edgar M. White, III**, Glen St Mary, 8,163,987 B1 4/2012 Dennis  
FL (US) 8,466,360 B2 6/2013 Bisheimer  
D767,350 S \* 9/2016 Bober ..... D8/14  
(72) Inventor: **Kaleb S. White**, Glen St Mary, FL 2005/0051020 A1 3/2005 Cenker  
(US) 2012/0285313 A1 11/2012 Bisheimer

(\*\*) Term: **15 Years**

(21) Appl. No.: **29/616,662**

(22) Filed: **Sep. 7, 2017**

(51) **LOC (11) Cl.** ..... **17-03**

(52) **U.S. Cl.**  
USPC ..... **D17/20**; D8/499

(58) **Field of Classification Search**  
USPC ..... D17/9, 14-21, 24, 99; D26/37; D8/354,  
D8/349, 373, 382, 380, 381, 19, 367, 372,  
D8/14, 33, 37, 499; D12/223, 106;  
D32/35  
CPC ..... G10D 3/00; G10D 3/006; G10D 3/04;  
G10D 3/12; G10D 3/14; G10D 3/143;  
G10D 3/146; G10D 17/00; G10H 3/18;  
G10H 3/181; G10H 1/32  
See application file for complete search history.

(56) **References Cited**

**U.S. PATENT DOCUMENTS**

2,593,304 A \* 4/1952 Howard ..... A01K 55/00  
15/236.05  
D230,889 S \* 3/1974 Kapreilian ..... D17/9  
4,497,236 A 2/1985 Rose  
4,638,711 A 1/1987 Stroh  
D312,959 S \* 12/1990 Hamann ..... 248/220.43  
5,686,681 A 11/1997 Powell  
D415,067 S \* 10/1999 Tung ..... D11/200

**OTHER PUBLICATIONS**

DIY Doctor, Fitting a Kitchen Wall Unit, webarchive Feb. 8, 2014,  
[online], [site visited Apr. 10, 2018]. Available from Internet,  
<URL: <https://web.archive.org/web/20140208021105/http://www.diydoctor.org.uk/projects/wallunit.htm>> (Year: 2014).\*

\* cited by examiner

*Primary Examiner* — Sheryl Lane  
*Assistant Examiner* — Samantha N Wood  
(74) *Attorney, Agent, or Firm* — Cramer Patent & Design,  
PLLC; Aaron R. Cramer

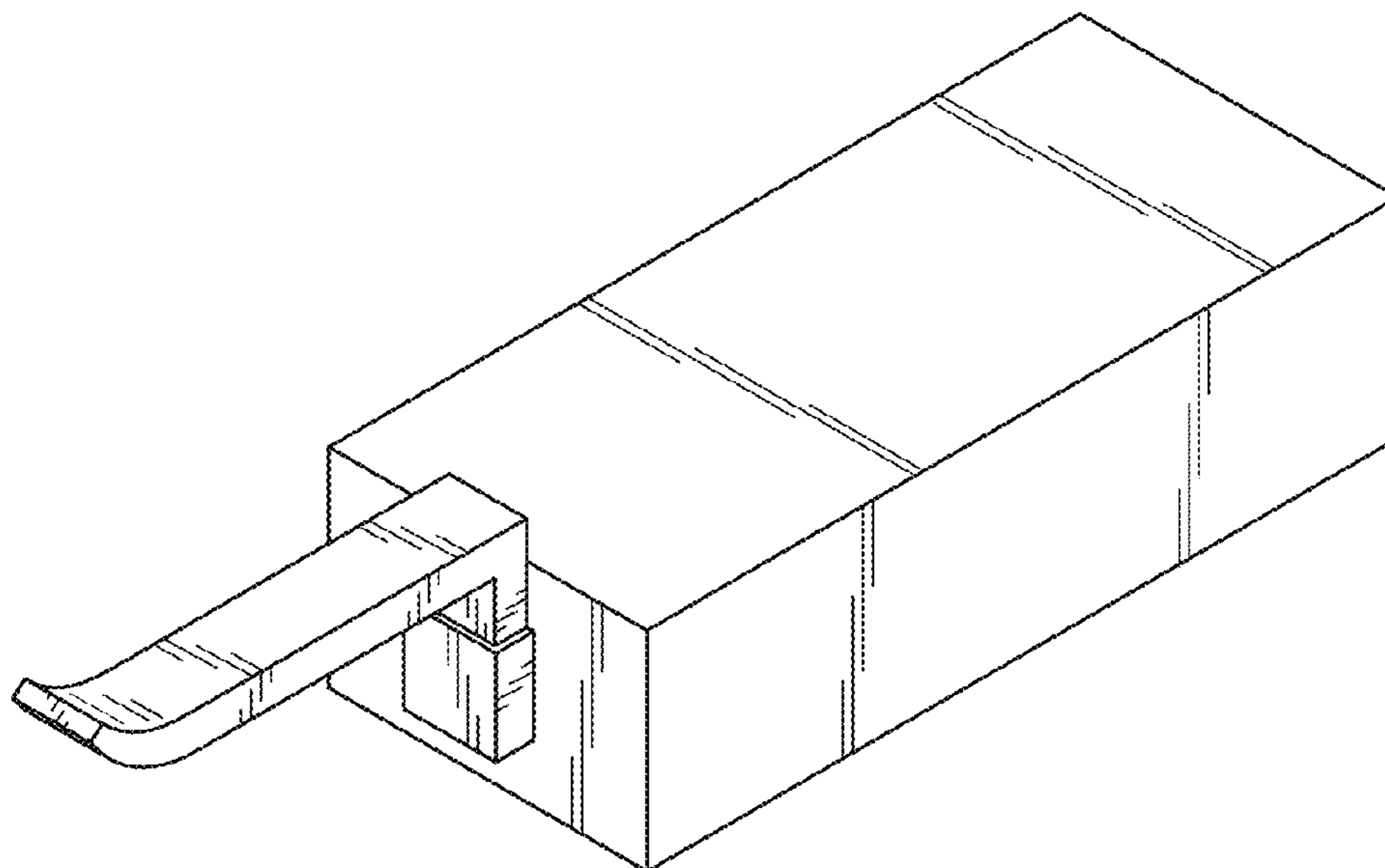
(57) **CLAIM**

The ornamental design for a guitar string setting device, as shown and described.

**DESCRIPTION**

FIG. 1 is a perspective top front right view of a guitar string setting device, showing my new design;  
FIG. 2 is a perspective top rear left view thereof;  
FIG. 3 is a front elevation view thereof;  
FIG. 4 is a rear elevation view thereof;  
FIG. 5 is a left elevation view, with the right elevation view being a mirror image thereof;  
FIG. 6 is a top plan view thereof; and,  
FIG. 7 is a bottom plan view thereof.

**1 Claim, 6 Drawing Sheets**



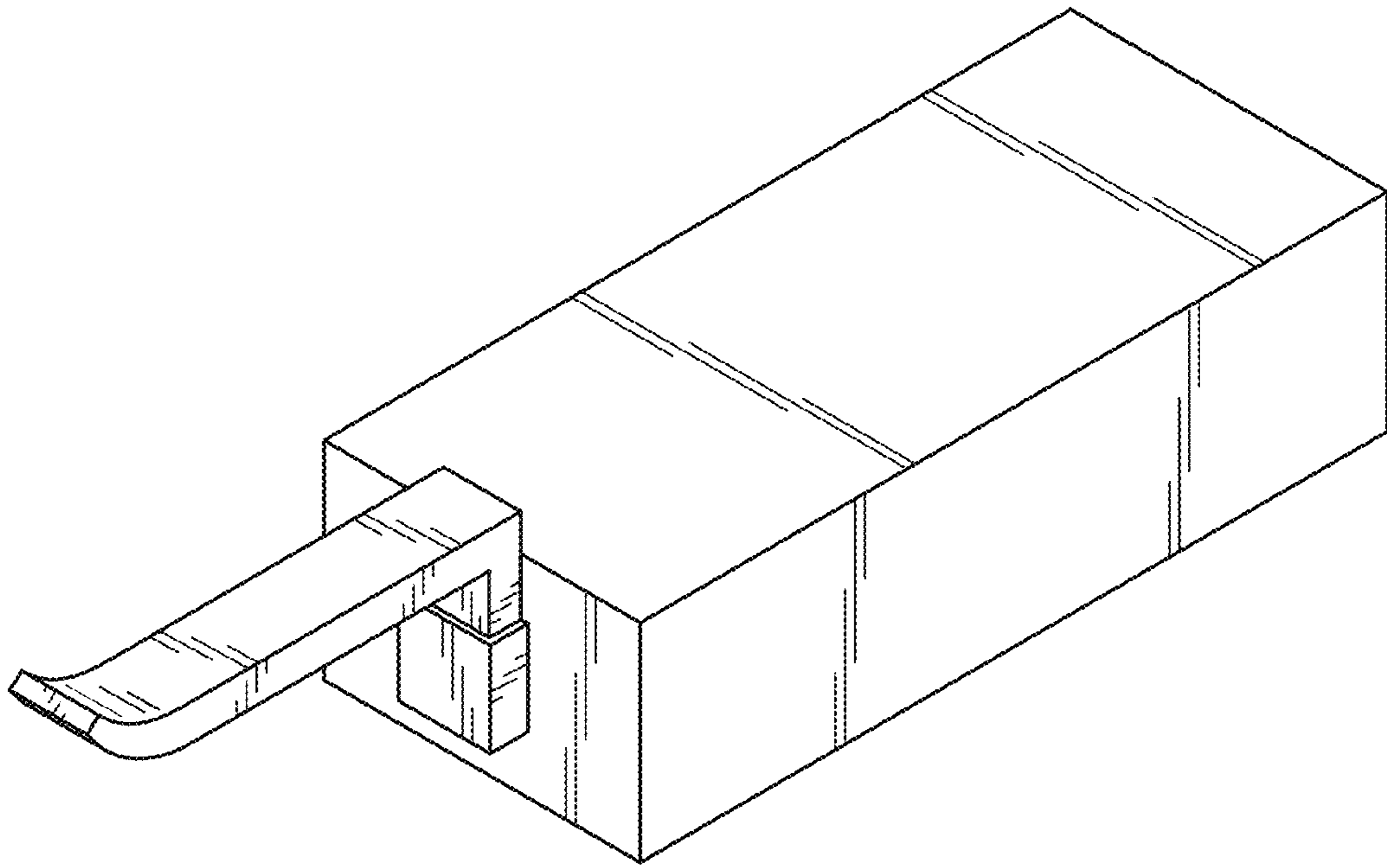


FIG. 1

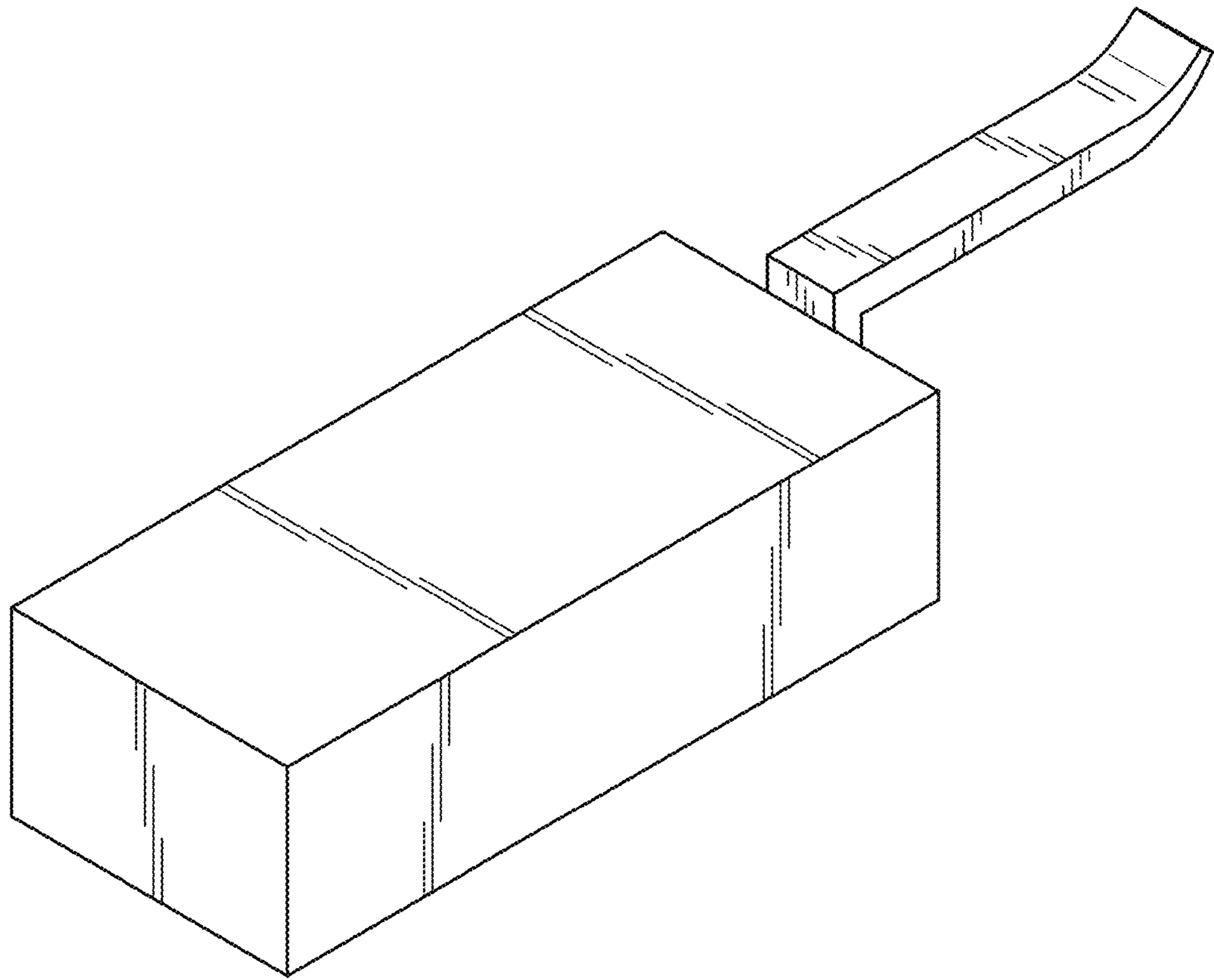


FIG. 2

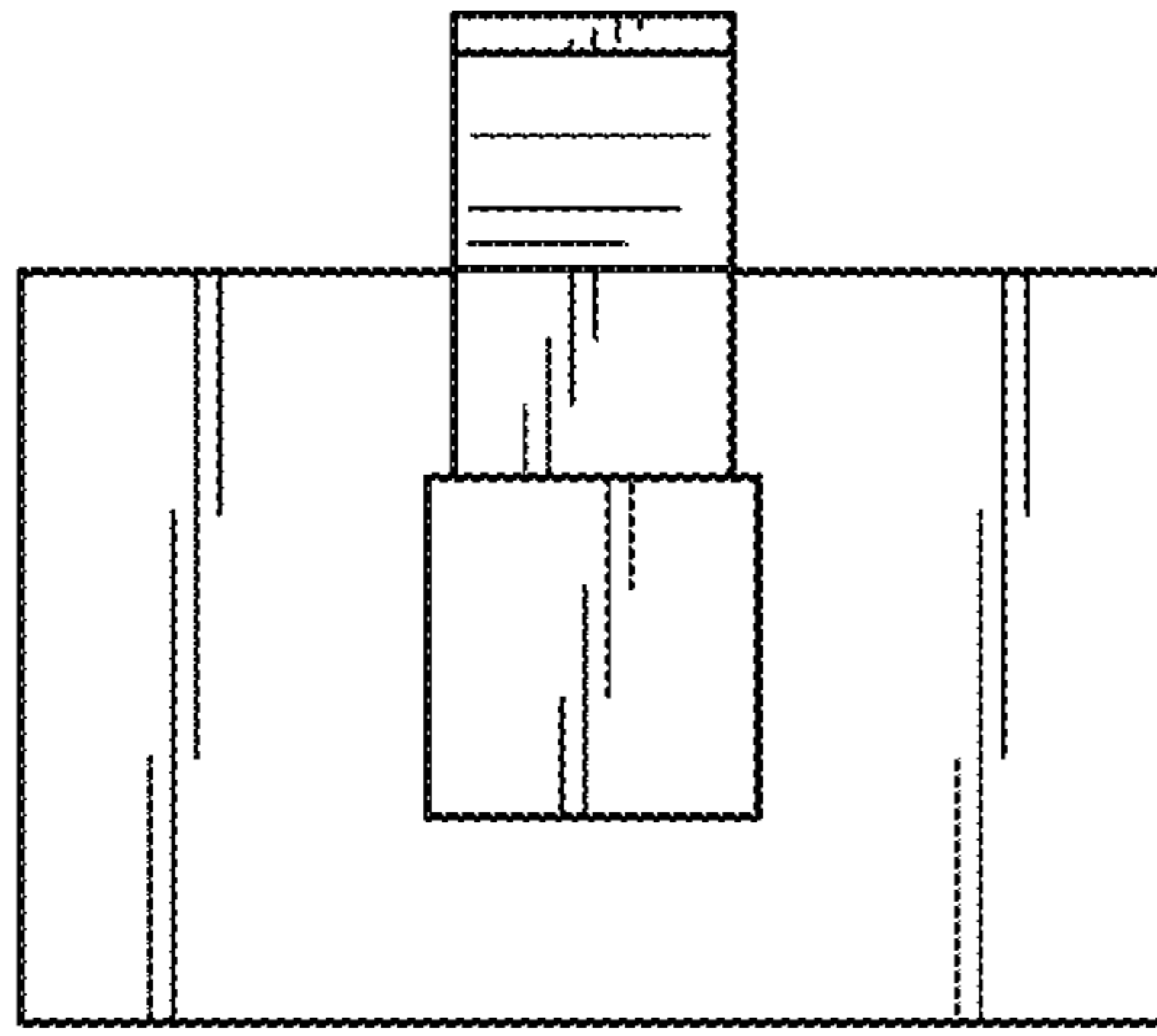


FIG. 3

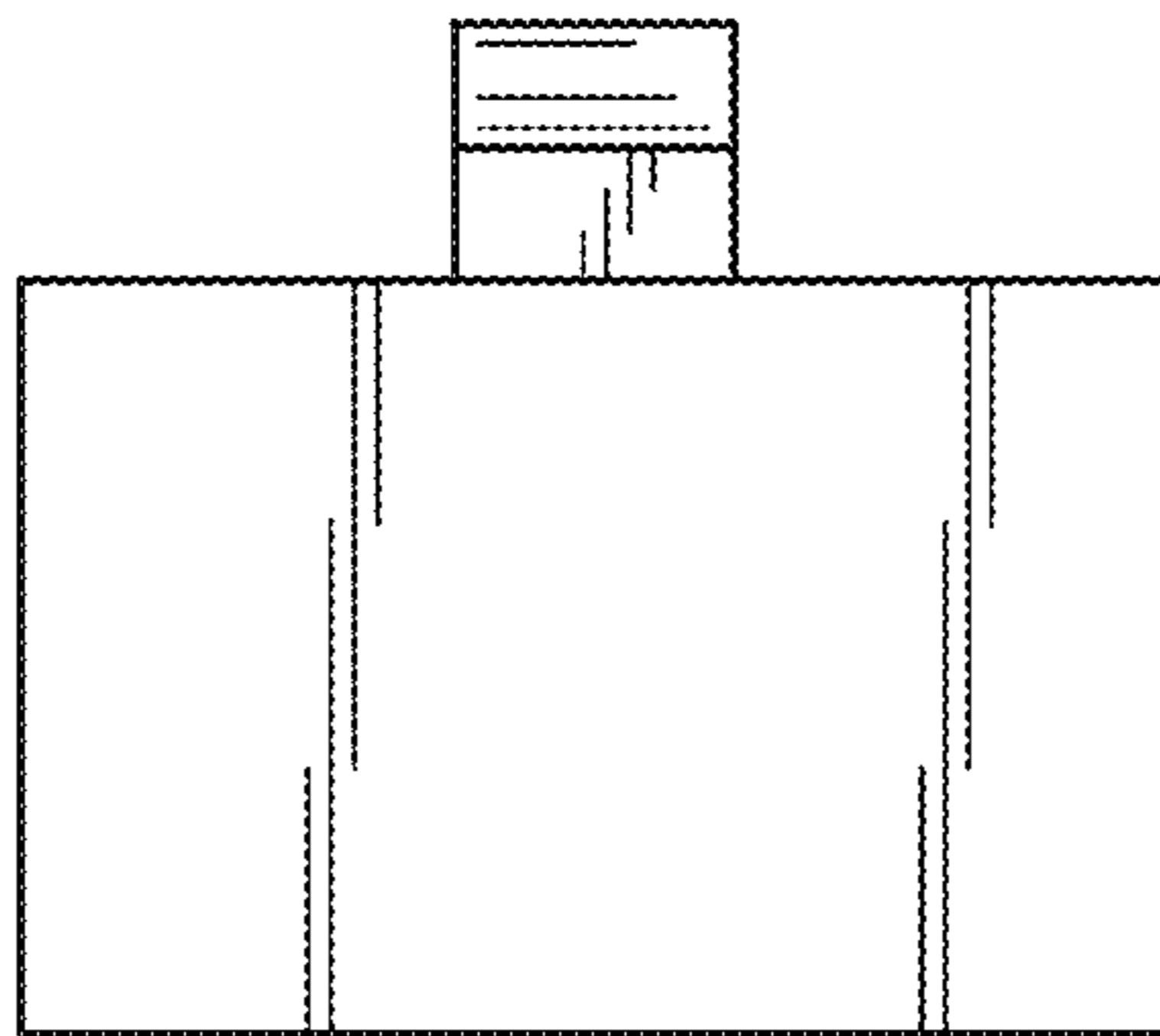


FIG. 4

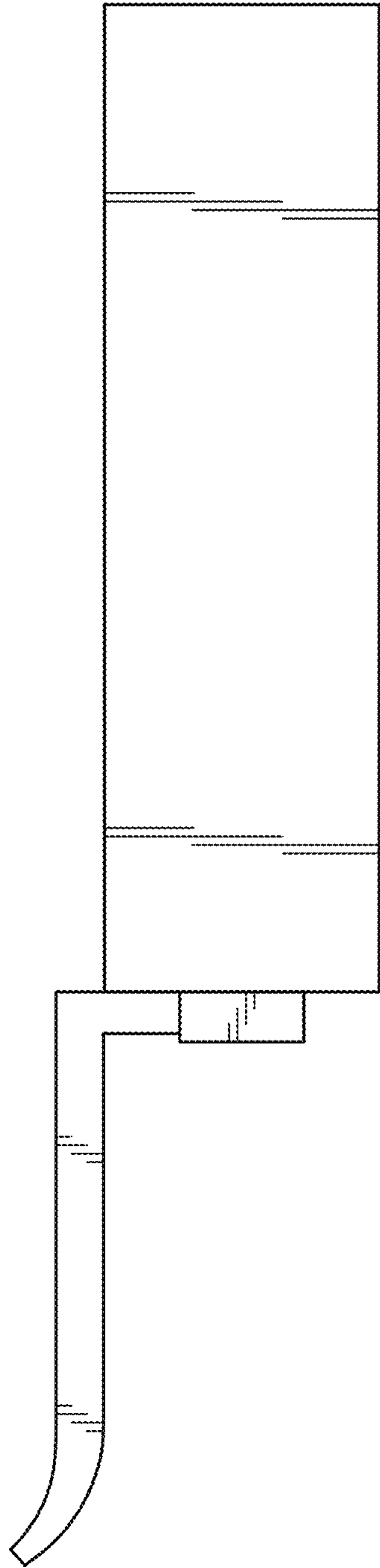


FIG. 5

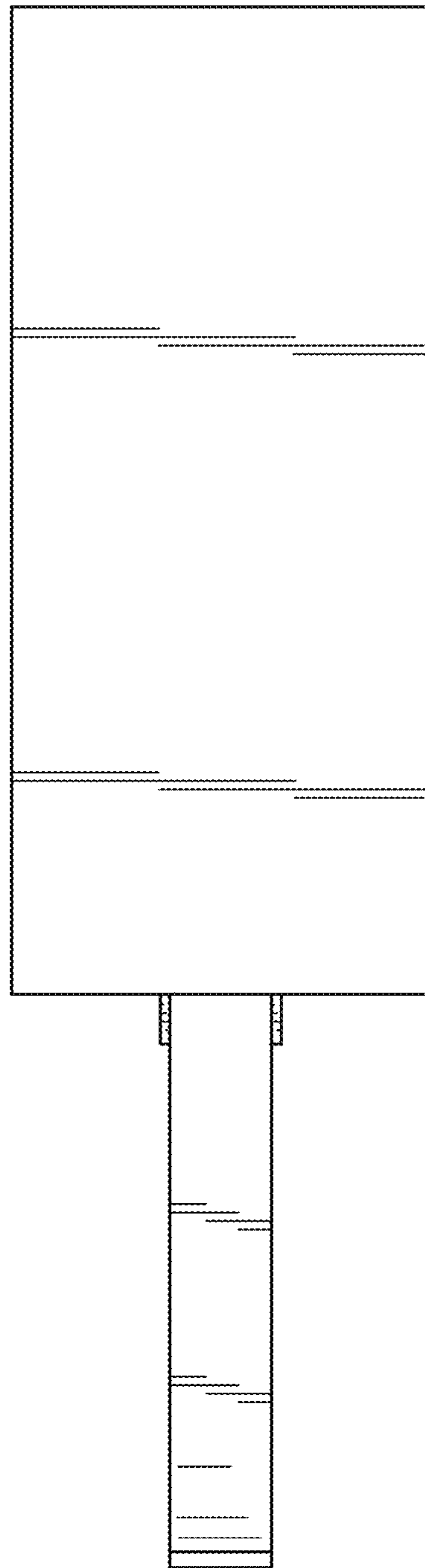


FIG. 6

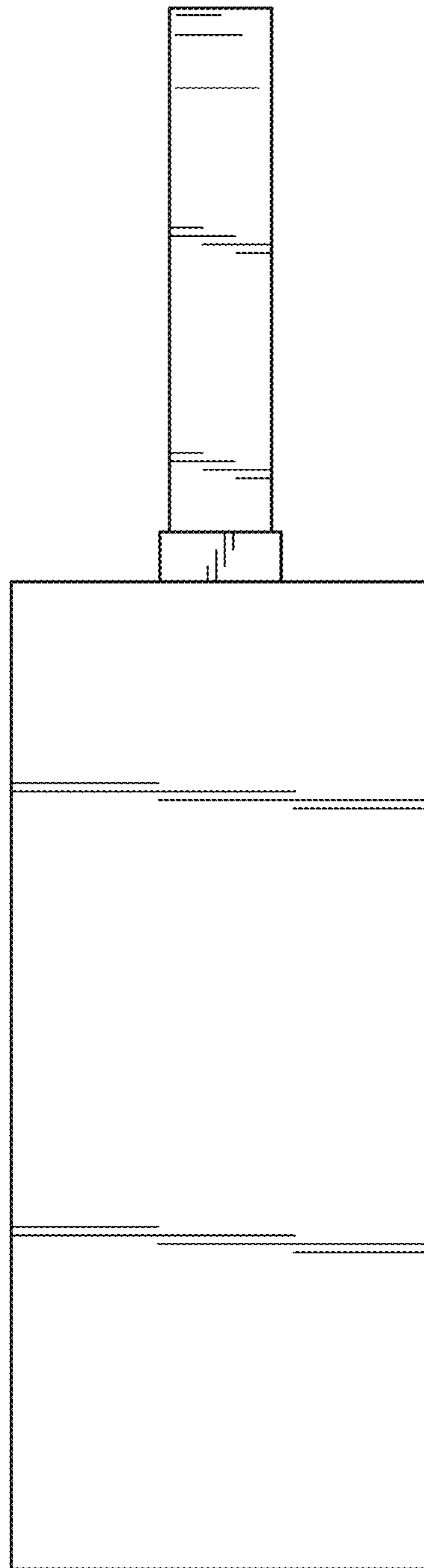


FIG. 7