



US00D825645S

(12) **United States Design Patent**
Jamin

(10) **Patent No.:** **US D825,645 S**

(45) **Date of Patent:** **** Aug. 14, 2018**

(54) **SUNGLASSES**

(71) Applicant: **CHRISTIAN DIOR COUTURE**, Paris
(FR)

(72) Inventor: **Mathieu Jamin**, Champaign sur Marne
(FR)

(**) Term: **15 Years**

(21) Appl. No.: **35/502,769**

(22) Filed: **Jan. 19, 2017**

(80) **Hague Agreement Data**

Int. Filing Date: **Jan. 19, 2017**

Int. Reg. No.: **DM/095411**

Int. Reg. Date: **Jan. 19, 2017**

Int. Reg. Pub. Date: **Apr. 7, 2017**

(51) **LOC (11) Cl.** **16-06**

(52) **U.S. Cl.**
USPC **D16/325**

(58) **Field of Classification Search**
USPC D16/101, 300-342
CPC G02C 11/08; G02C 9/02
See application file for complete search history.

(56) **References Cited**

U.S. PATENT DOCUMENTS

D154,221 S * 6/1949 Stegeman D16/335
D337,596 S * 7/1993 Canavan D16/101
D397,126 S * 8/1998 Hall D16/101

D419,167 S * 1/2000 Hall D16/101
D424,079 S * 5/2000 Hall D16/101
D490,452 S * 5/2004 Yong D16/101
D510,588 S * 10/2005 Love D16/101
D547,342 S * 7/2007 Love D16/101
D548,251 S * 8/2007 Broersma D16/101
D653,686 S * 2/2012 Tobia D16/101

* cited by examiner

Primary Examiner — Manpreet S Matharu

Assistant Examiner — Holly E Thurman

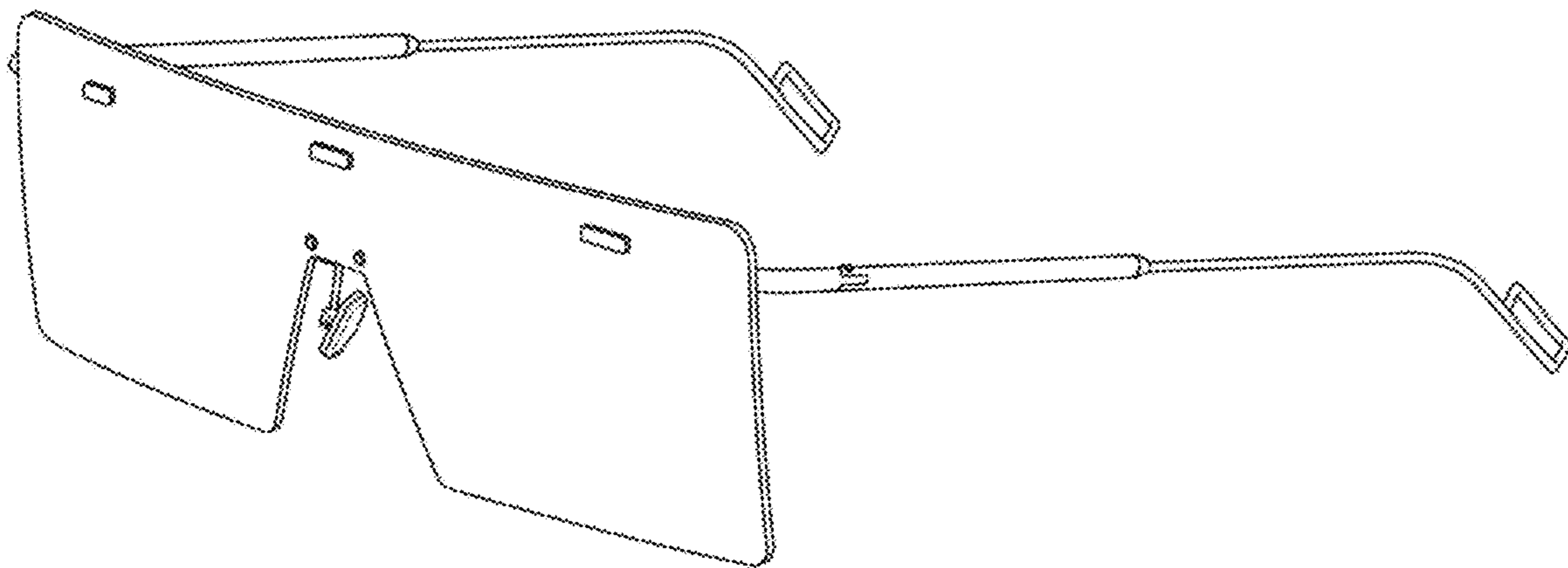
(57) **CLAIM**

The ornamental design for sunglasses, as shown and described.

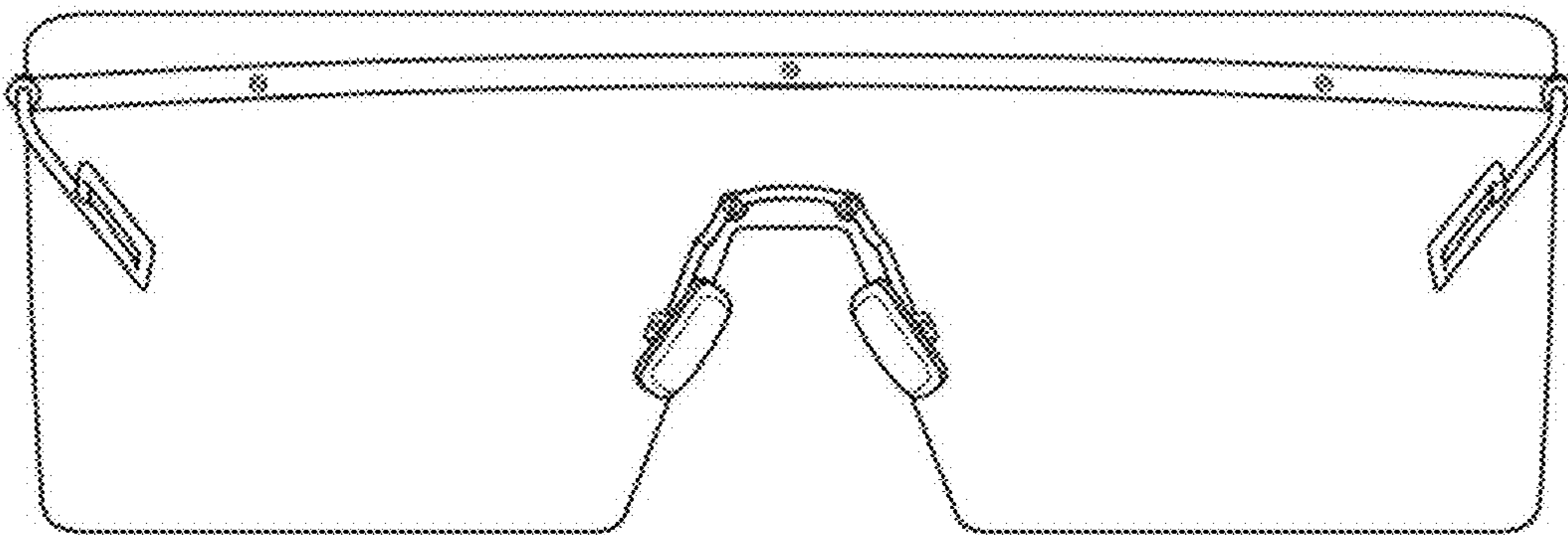
DESCRIPTION

- 1.-2. Sunglasses
- 1.1 : Back
- 1.2 : Perspective
- 1.3 : Right
- 1.4 : Left
- 1.5 : Top
- 1.6 : Front
- 1.7 : Bottom
- 2.1 : Bottom
- 2.2 : Front
- 2.3 : Back
- 2.4 : Perspective
- 2.5 : Left
- 2.6 : Right
- 2.7 : Top

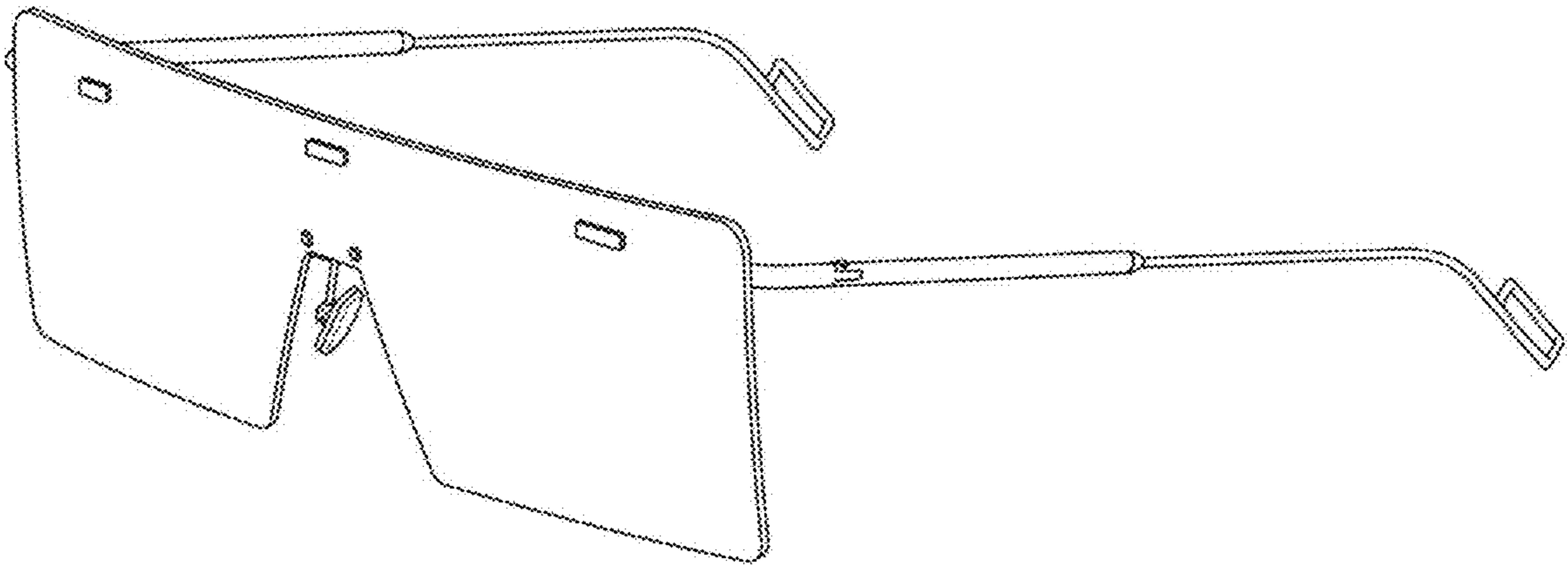
1 Claim, 14 Drawing Sheets

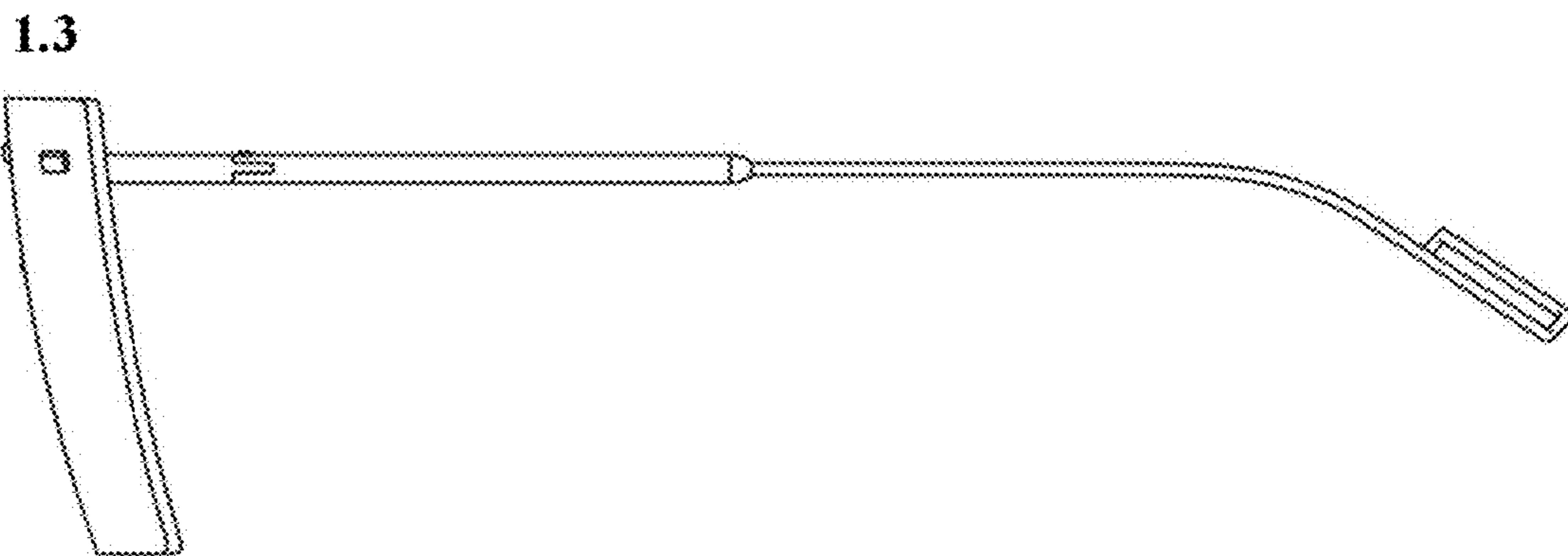


1.1

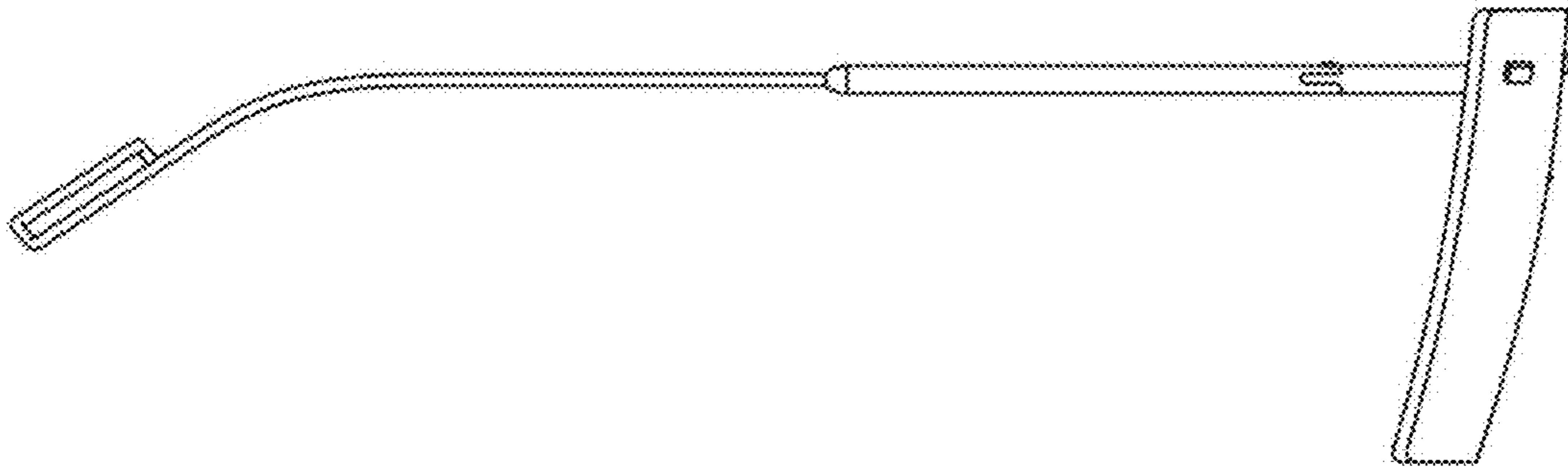


1.2

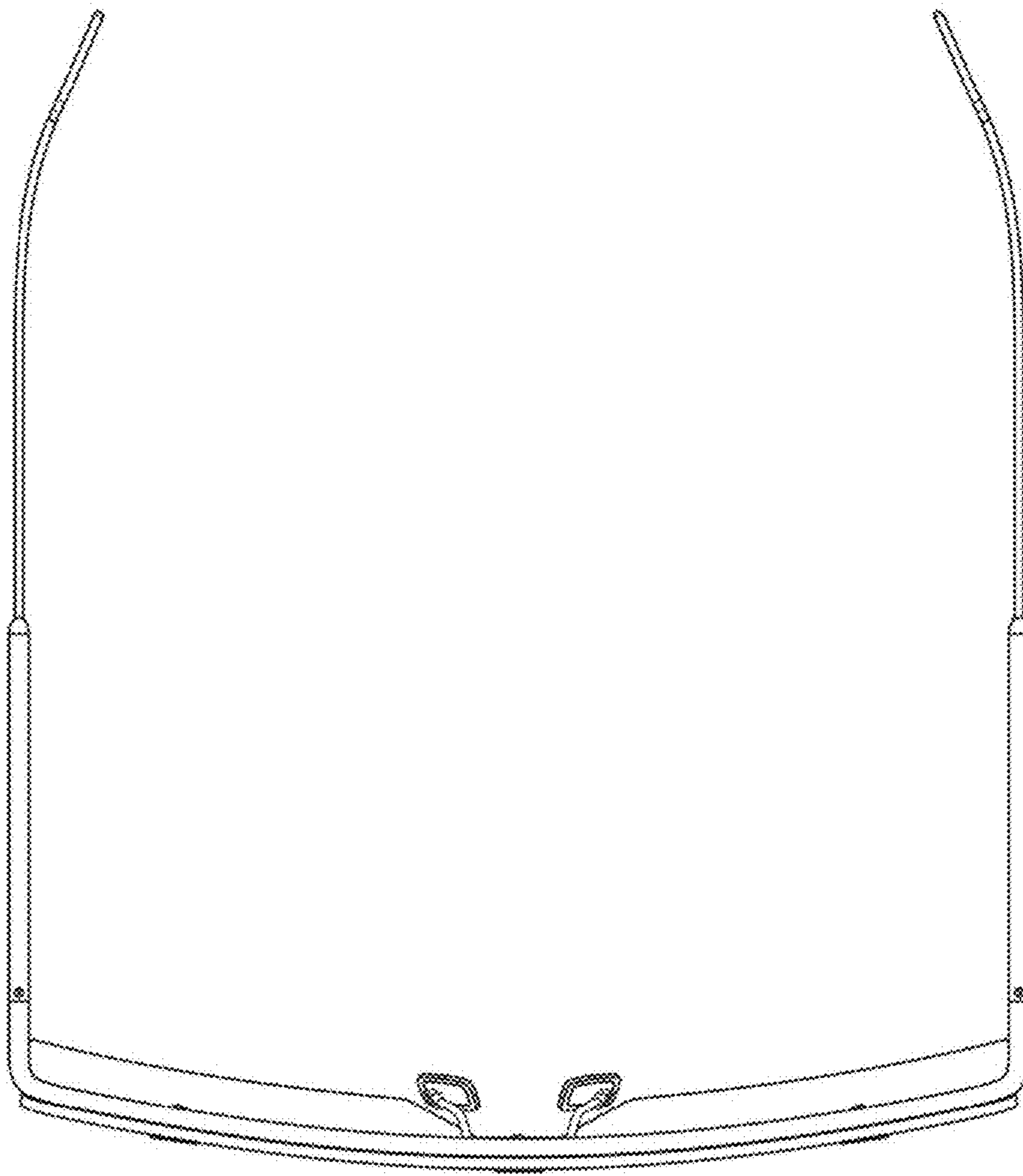




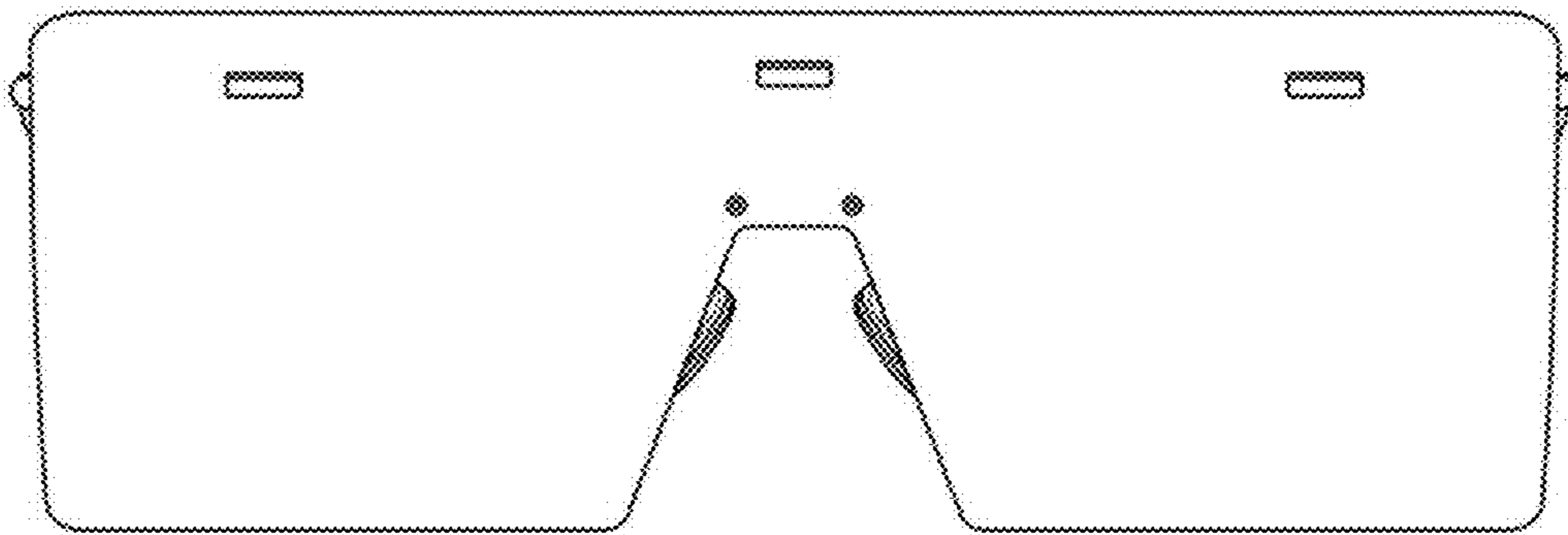
1.4



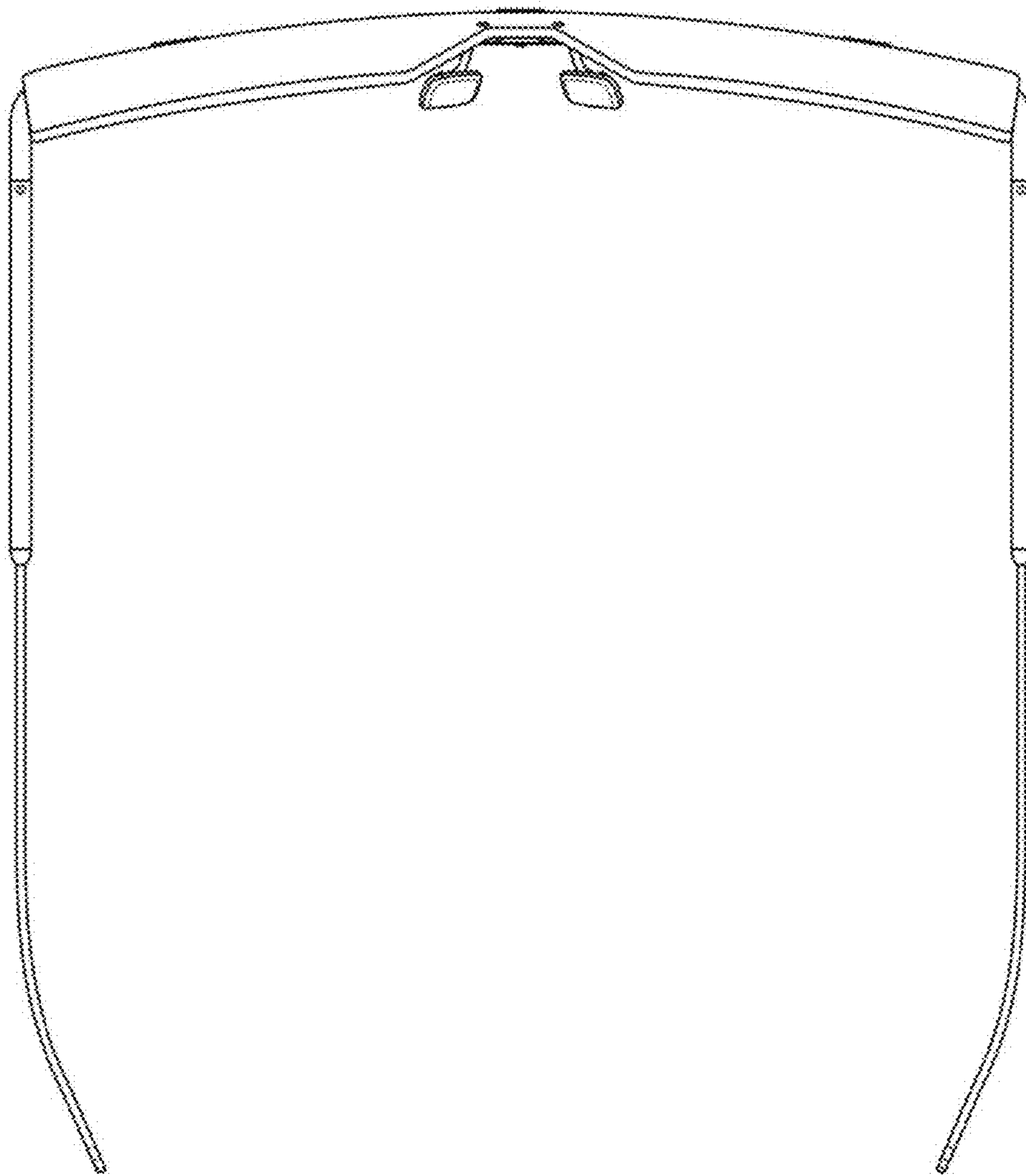
1.5



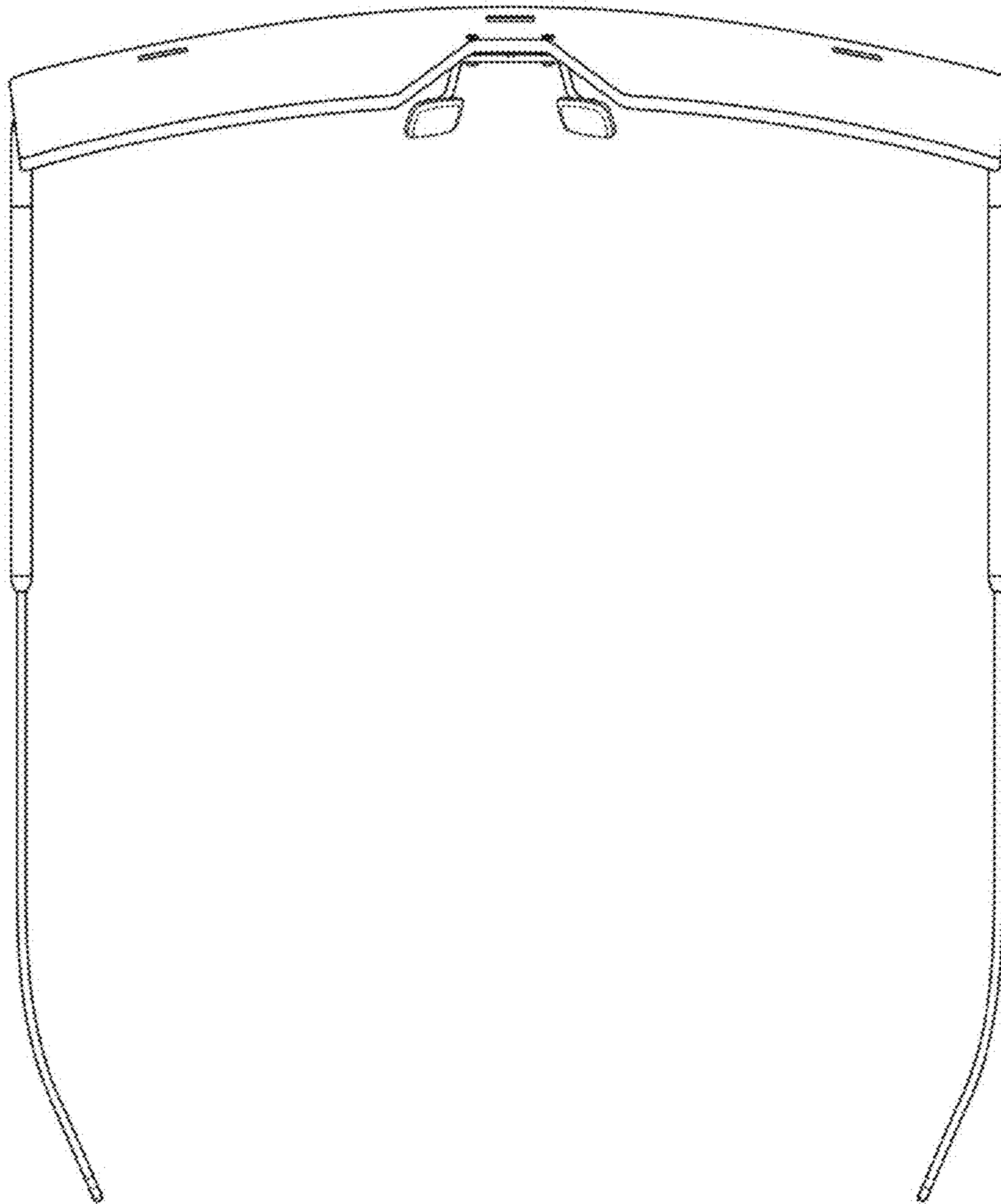
1.6



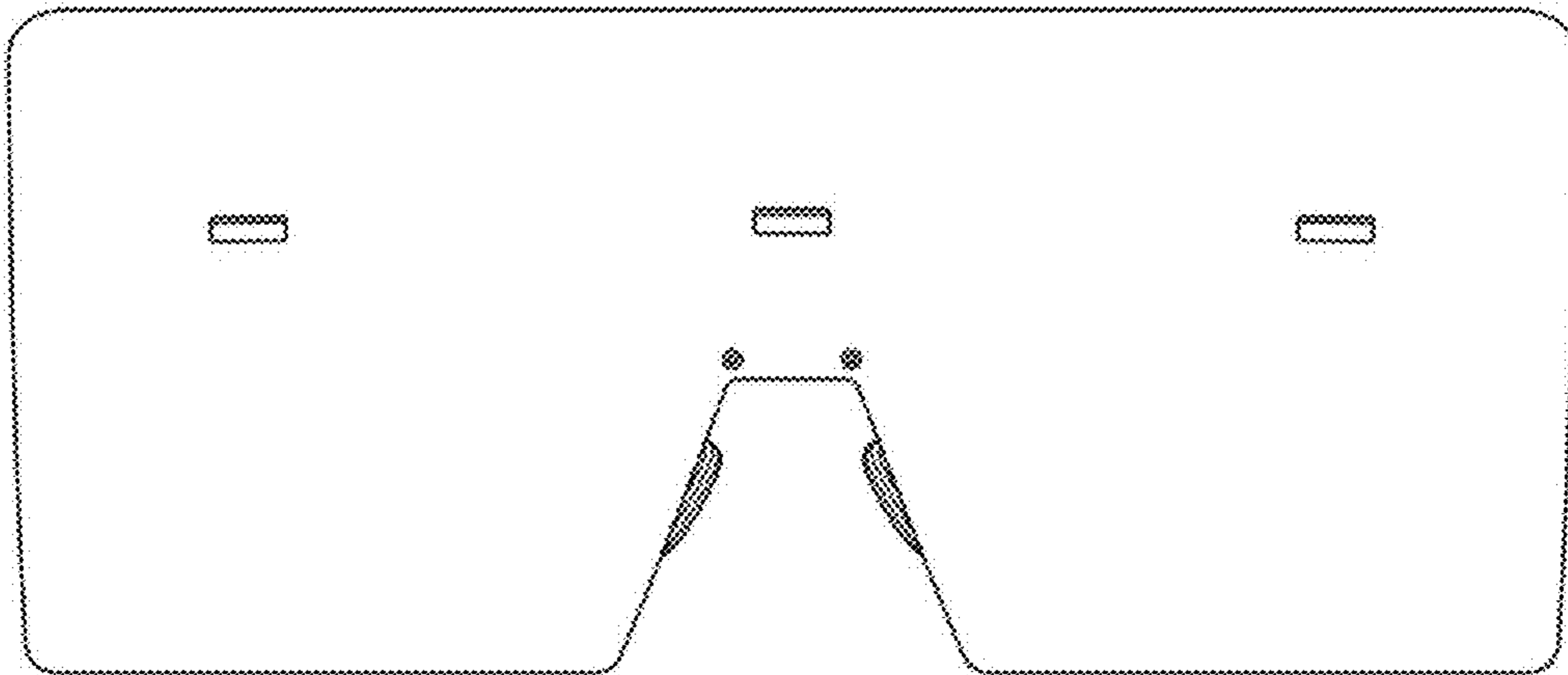
1.7



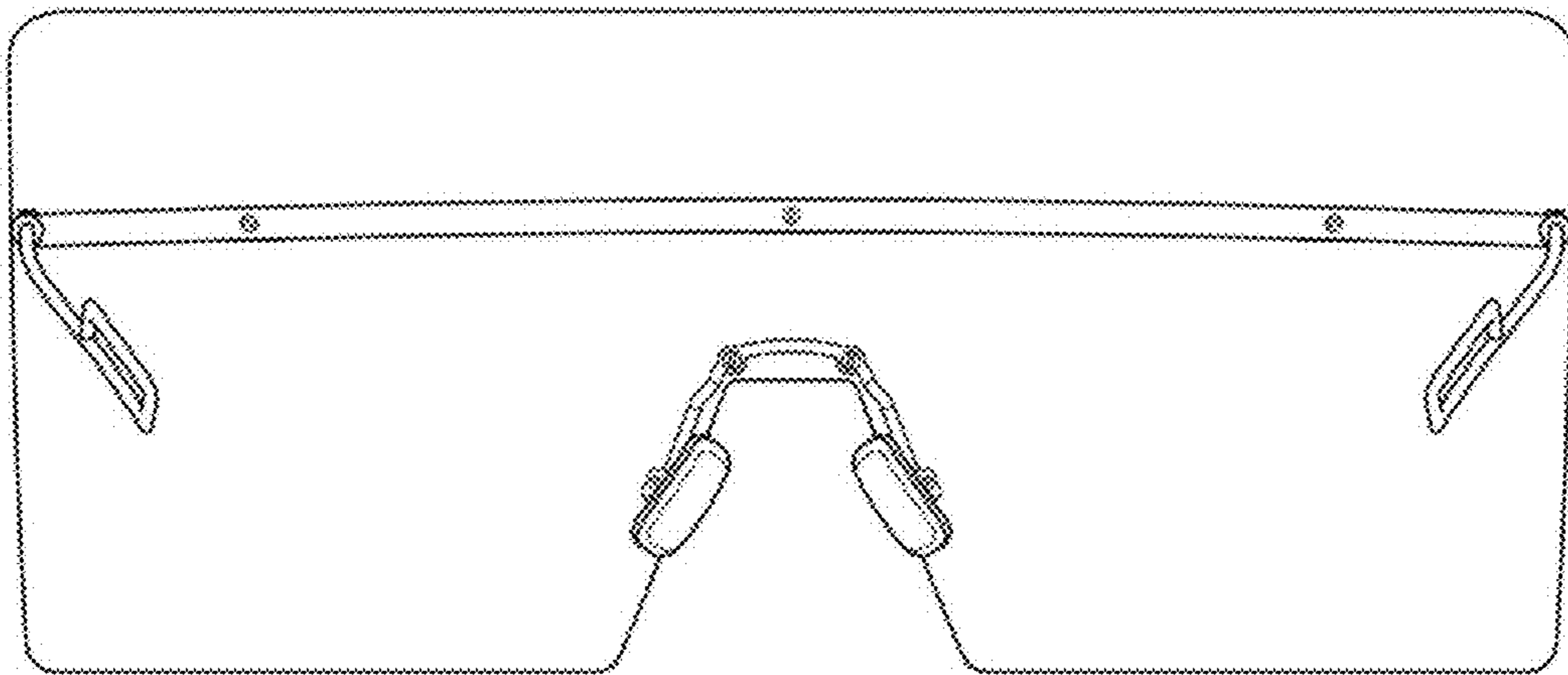
2.1



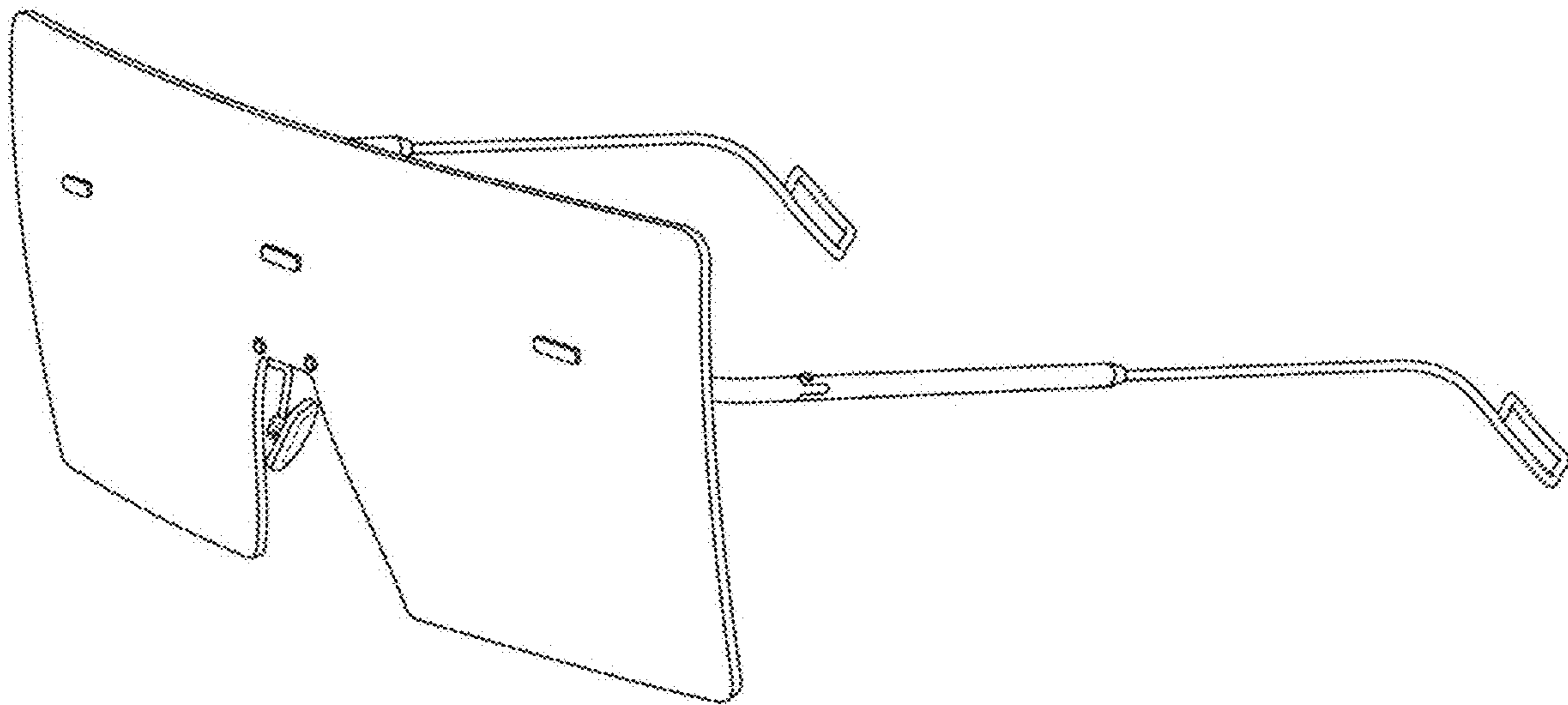
2.2



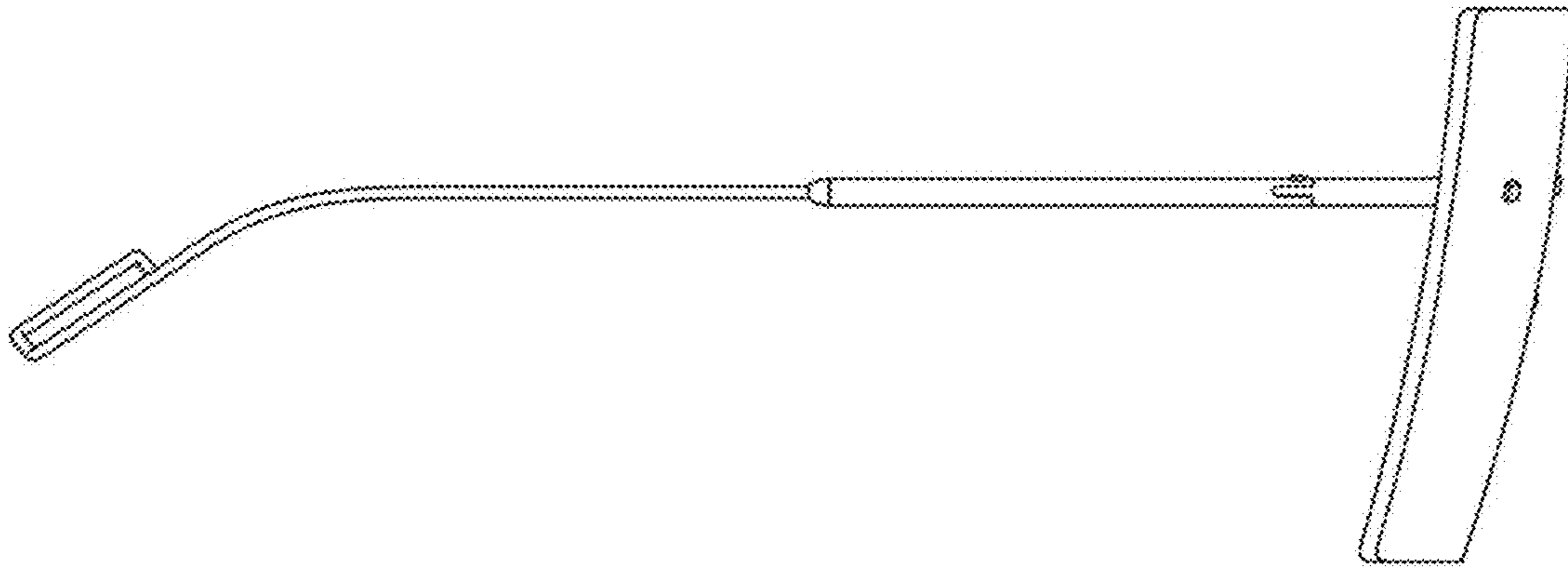
2.3



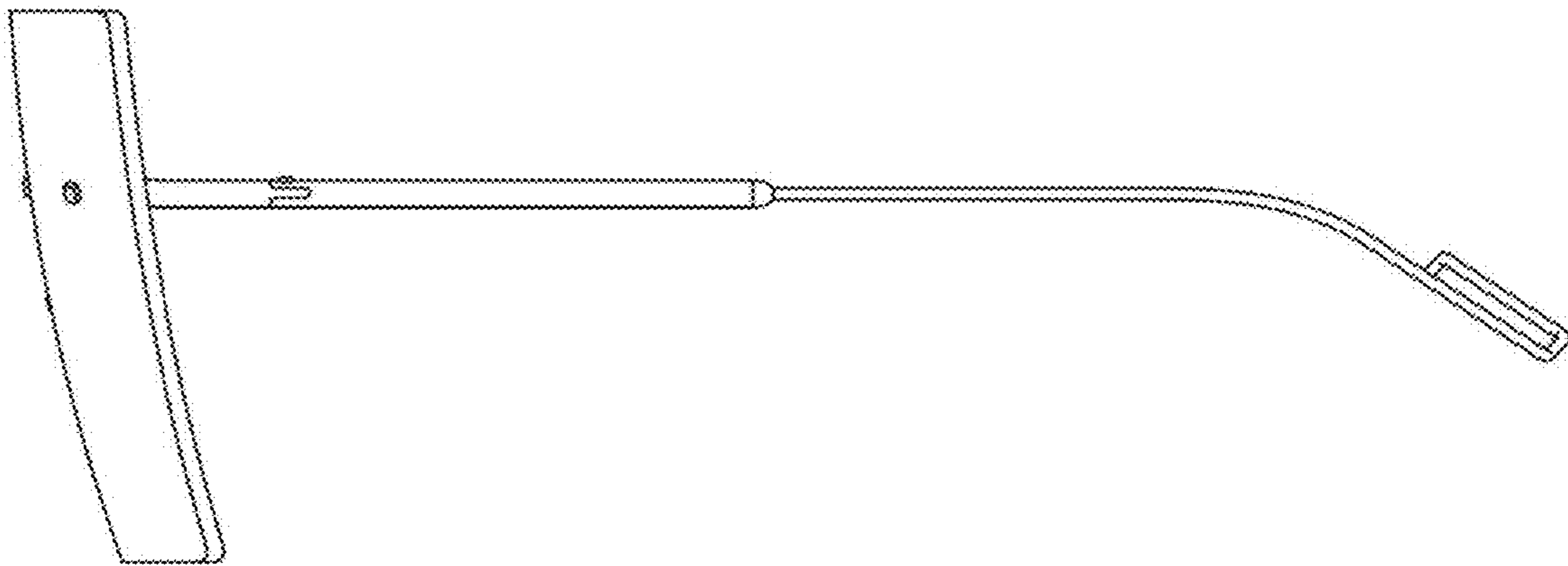
2.4



2.5



2.6



2.7

