



US00D825644S

(12) **United States Design Patent**
Harpages

(10) **Patent No.:** **US D825,644 S**

(45) **Date of Patent:** **** Aug. 14, 2018**

- (54) **SWIMMING GOGGLES**
- (71) Applicant: **Decathlon, Villeneuve d'Ascq (FR)**
- (72) Inventor: **Antoine Harpages, Guethary (FR)**
- (73) Assignee: **Decathlon, Villeneuve d'Ascq (FR)**
- (**) Term: **15 Years**
- (21) Appl. No.: **29/588,730**
- (22) Filed: **Dec. 22, 2016**
- (30) **Foreign Application Priority Data**
 - Jun. 27, 2016 (EM) 003240977-0002
- (51) **LOC (11) Cl.** **16-06**
- (52) **U.S. Cl.**
USPC **D16/311**
- (58) **Field of Classification Search**
 - USPC D16/101, 300-342, 900; D29/109-110;
D21/483, 659-661; D14/372; 351/41,
351/44, 45-48, 51-52, 62, 158, 92,
351/103-123, 140-153, 63, 59; 2/13, 15,
2/426-432, 447-449, 441, 434-437
 - CPC G02C 2200/08; G02C 1/06; G02C 5/14;
G02C 11/02; G02C 11/04; G02C 5/16;
G02C 2200/22; G02C 5/146; G02C
5/2254; G02C 5/008; G01C 5/16; A61M
2021/0044; A63B 33/002

See application file for complete search history.

- (56) **References Cited**
U.S. PATENT DOCUMENTS
 - D264,142 S * 5/1982 Fireman D16/303
 - D277,614 S * 2/1985 Fireman D16/303
 - D352,514 S * 11/1994 Shelton D16/303
 - D395,666 S * 6/1998 Yashiro D16/303

- D413,913 S * 9/1999 Yashiro D16/303
- D413,914 S * 9/1999 Tsubooka D16/303
- D422,615 S * 4/2000 Yoshizawa D16/303
- D435,057 S * 12/2000 Chen D16/303
- D438,885 S * 3/2001 Haslbeck D16/303
- D480,101 S * 9/2003 Chiang D16/303
- D482,383 S * 11/2003 Lee D16/311
- D485,568 S * 1/2004 Chiang D16/311
- D502,489 S * 3/2005 Chiang D16/311
- D502,491 S * 3/2005 Chiang D16/311
- D503,189 S * 3/2005 Chiang D16/311
- D504,145 S * 4/2005 Tominaga D16/311
- D504,457 S * 4/2005 Chiang D16/303
- D523,059 S * 6/2006 Chiang D16/303
- D523,060 S * 6/2006 Chiang D16/303
- D534,941 S * 1/2007 Fujiwara D16/311
- D536,020 S * 1/2007 Chiang D16/311
- D551,277 S * 9/2007 Chiang D16/303
- D569,410 S * 5/2008 Chiang D16/303
- D574,032 S * 7/2008 Chiang D16/303

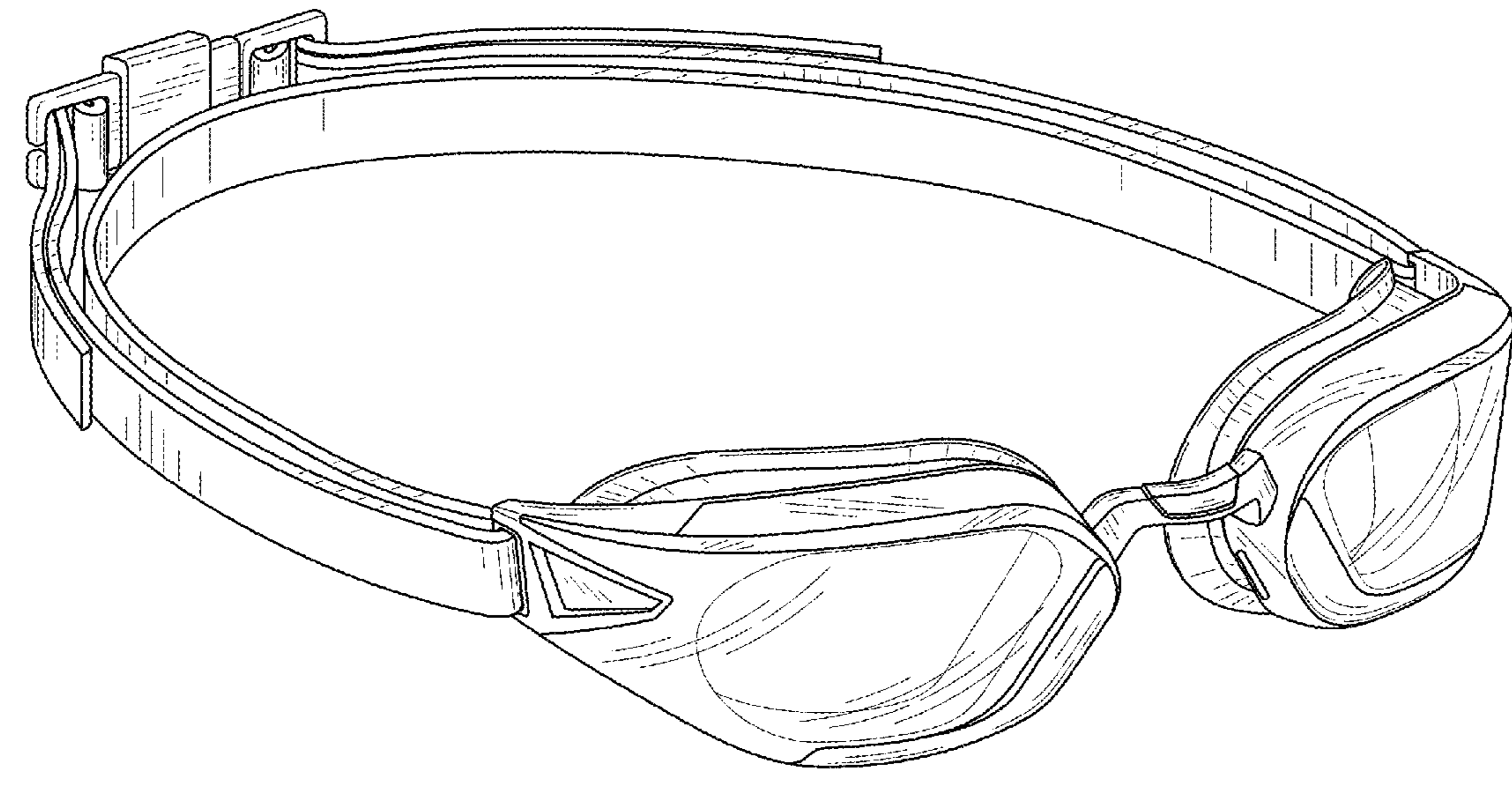
(Continued)

Primary Examiner — Eric L Goodman
Assistant Examiner — Sanjeev Paul
(74) *Attorney, Agent, or Firm* — Fross Zelnick Lehrman & Zissu, P.C.; Charles T.J. Weigell, Esq.

(57) **CLAIM**
The ornamental design for swimming goggles, as shown and described.

DESCRIPTION
FIG. 1 is a perspective view of the swimming goggles showing my new design;
FIG. 2 is a front view of the goggles, strap, and clasp;
FIG. 3 is a rear view of the goggles, strap, and clasp;
FIG. 4 is a side view of the goggles, strap, and clasp;
FIG. 5 is a reverse side view of the goggles, strap, and clasp;
FIG. 6 is top-down view of the goggle, strap, and clasp; and,
FIG. 7 is a bottom-up view of the goggles, strap, and clasp.

1 Claim, 5 Drawing Sheets



(56)

References Cited

U.S. PATENT DOCUMENTS

D574,033	S	*	7/2008	Isaac	D16/311
D585,472	S	*	1/2009	Chiang	D16/303
D601,610	S	*	10/2009	Chiang	D16/303
D601,611	S	*	10/2009	Chiang	D16/303
D613,785	S	*	4/2010	Chiang	D16/303
D613,787	S	*	4/2010	Chiang	D16/303
D620,515	S	*	7/2010	Yasuhara	D16/303
D620,516	S	*	7/2010	Hadehara	D16/303
D620,517	S	*	7/2010	Aoyama	D16/303
D620,967	S	*	8/2010	Tsunashima	D16/303
D633,549	S	*	3/2011	Chiang	D16/303
D665,443	S	*	8/2012	Kitamura	D16/303
D696,337	S	*	12/2013	Chiang	D16/303
D703,727	S	*	4/2014	DiChiara	D16/311
D703,728	S	*	4/2014	Donovan	D16/303
D717,858	S	*	11/2014	Chiang	D16/303
D717,861	S	*	11/2014	Chiang	D16/303
D723,612	S	*	3/2015	Chiang	D16/303
D745,081	S	*	12/2015	Ooba	D16/303
D809,055	S	*	1/2018	Tracy	D16/311

* cited by examiner

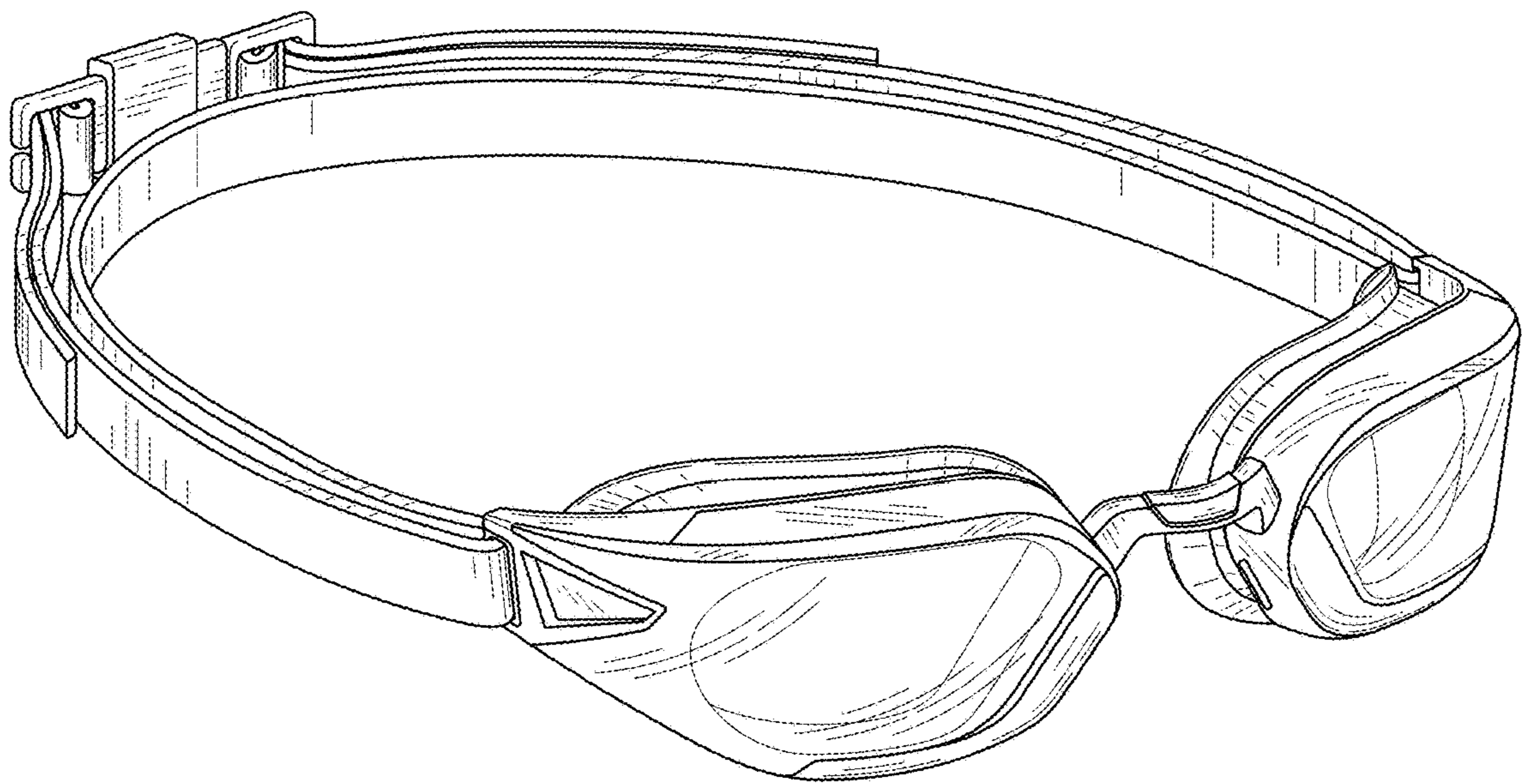


FIG. 1

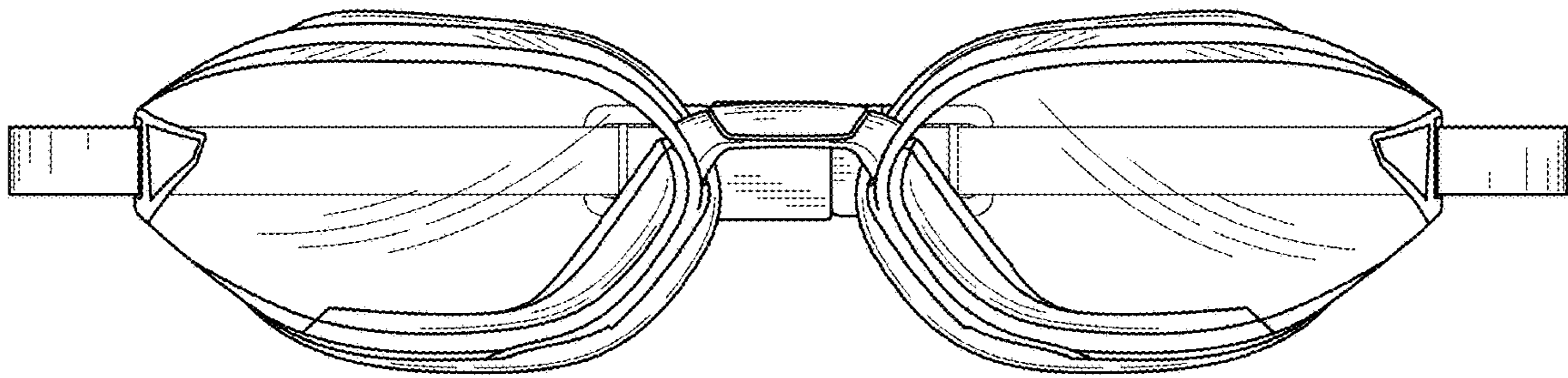


FIG. 2

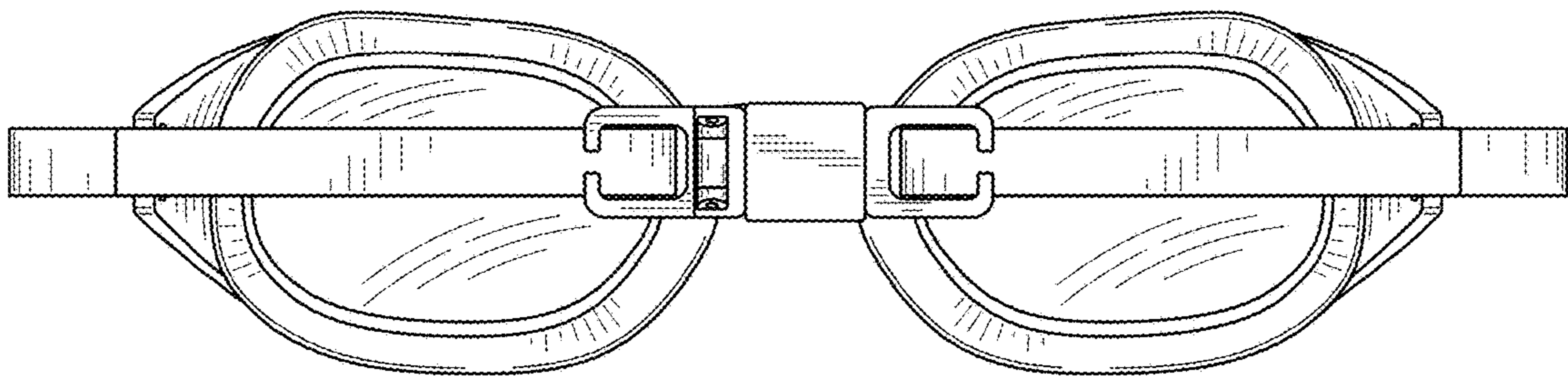


FIG. 3

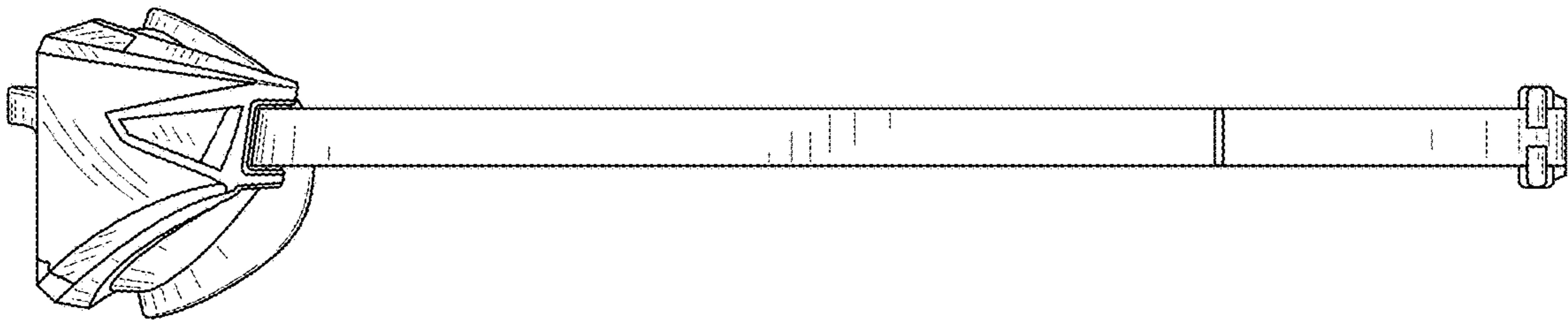


FIG. 4

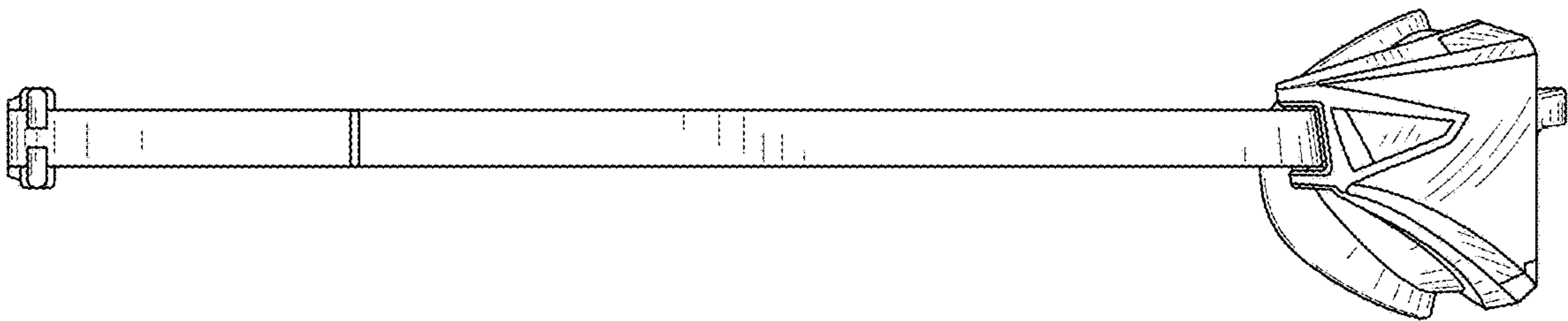


FIG. 5

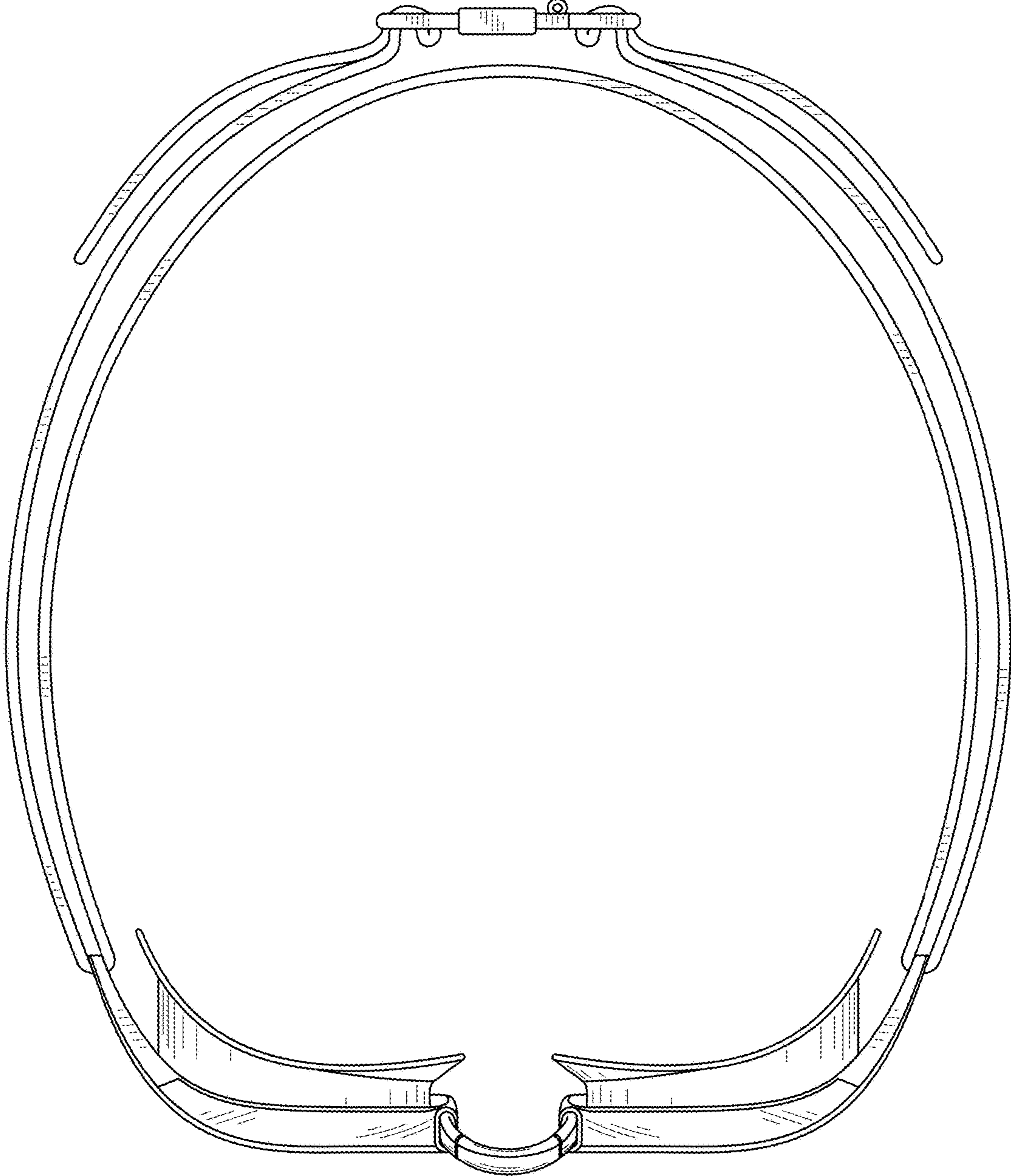


FIG. 6

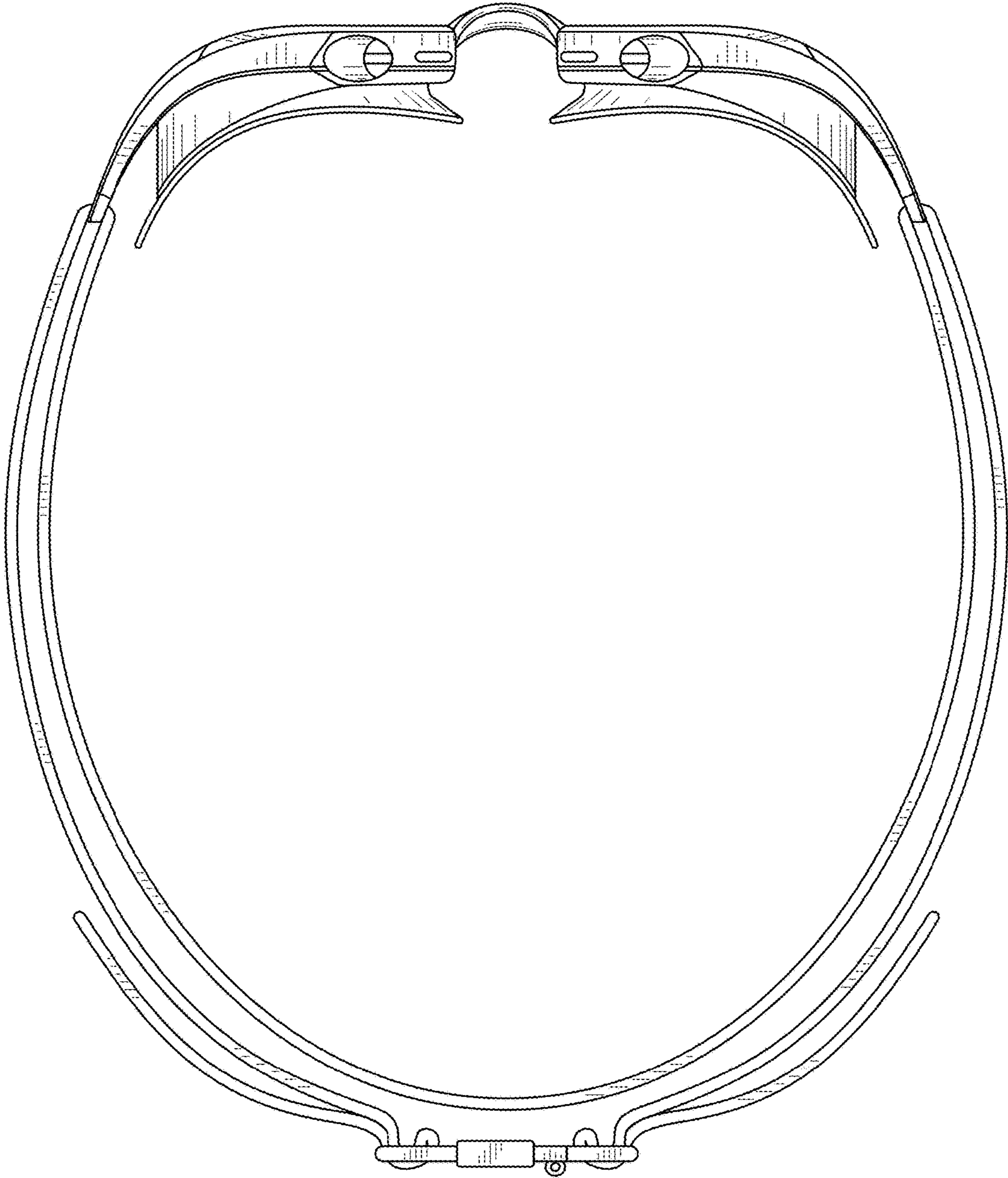


FIG. 7