



US00D825643S

(12) **United States Design Patent**  
**Wengreen**

(10) **Patent No.:** **US D825,643 S**

(45) **Date of Patent:** **\*\* Aug. 14, 2018**

(54) **MOUNT FOR ELECTRONIC DEVICES**

(71) Applicant: **Innovelis, Inc.**, Sammamish, WA (US)

(72) Inventor: **Eric John Wengreen**, Sammamish, WA (US)

(73) Assignee: **Innovelis, Inc.**, Sammamish, WA (US)

(\*\*) Term: **15 Years**

(21) Appl. No.: **29/610,389**

(22) Filed: **Jul. 12, 2017**

(51) **LOC (11) Cl.** ..... **16-05**

(52) **U.S. Cl.**  
USPC ..... **D16/242**

(58) **Field of Classification Search**  
USPC ..... D16/219, 237-250; D14/224, 229, 238, D14/251, 253, 447, 451, 457; D8/354, D8/355, 363, 373, 382, 383, 394, 395, D8/396  
CPC ..... A45F 5/00; F16M 11/06-11/10; G02B 7/00-7/002; G03B 17/56; G03B 17/561; G03B 17/563; G03B 17/565; G03B 17/566; G03B 17/568; H04N 5/2253-5/2254

See application file for complete search history.

(56) **References Cited**

**U.S. PATENT DOCUMENTS**

1,618,573 A	2/1927	Cole
2,584,646 A	2/1952	Wagstaff
3,091,378 A	5/1963	O'Dwyer
D196,542 S	10/1963	Zelnick
3,176,950 A	4/1965	Hittesdorf
3,279,009 A	10/1966	Teasdale
3,294,298 A	12/1966	Danielson
3,477,679 A	11/1969	Lovitz
3,990,617 A	11/1976	Carter
D242,766 S	12/1976	Neece
4,067,532 A	1/1978	Viteretto
4,158,450 A	6/1979	Suzuki

4,467,244 A	8/1984	Dickie
4,519,656 A	5/1985	Raz
D280,466 S	9/1985	Seltzer
D282,034 S	1/1986	Janke
4,602,761 A	7/1986	Carter
4,697,780 A	10/1987	Wenkman
4,746,042 A	5/1988	King
4,771,927 A	9/1988	Ventura
4,815,683 A	3/1989	Ferrante
4,825,590 A	5/1989	Cullinane
4,826,115 A	5/1989	Novitski
4,840,773 A	6/1989	Wade

(Continued)

**OTHER PUBLICATIONS**

Total Mount Adapter for Amazon Cloud Cam.[online] Published Feb. 15, 2018. Retrieved May 9, 2018 from URL: <https://www.amazon.com/TotalMount-Adapter-Amazon-Connects-separately/dp/B079VH9CWM>.\*

*Primary Examiner* — Vy N Koenig

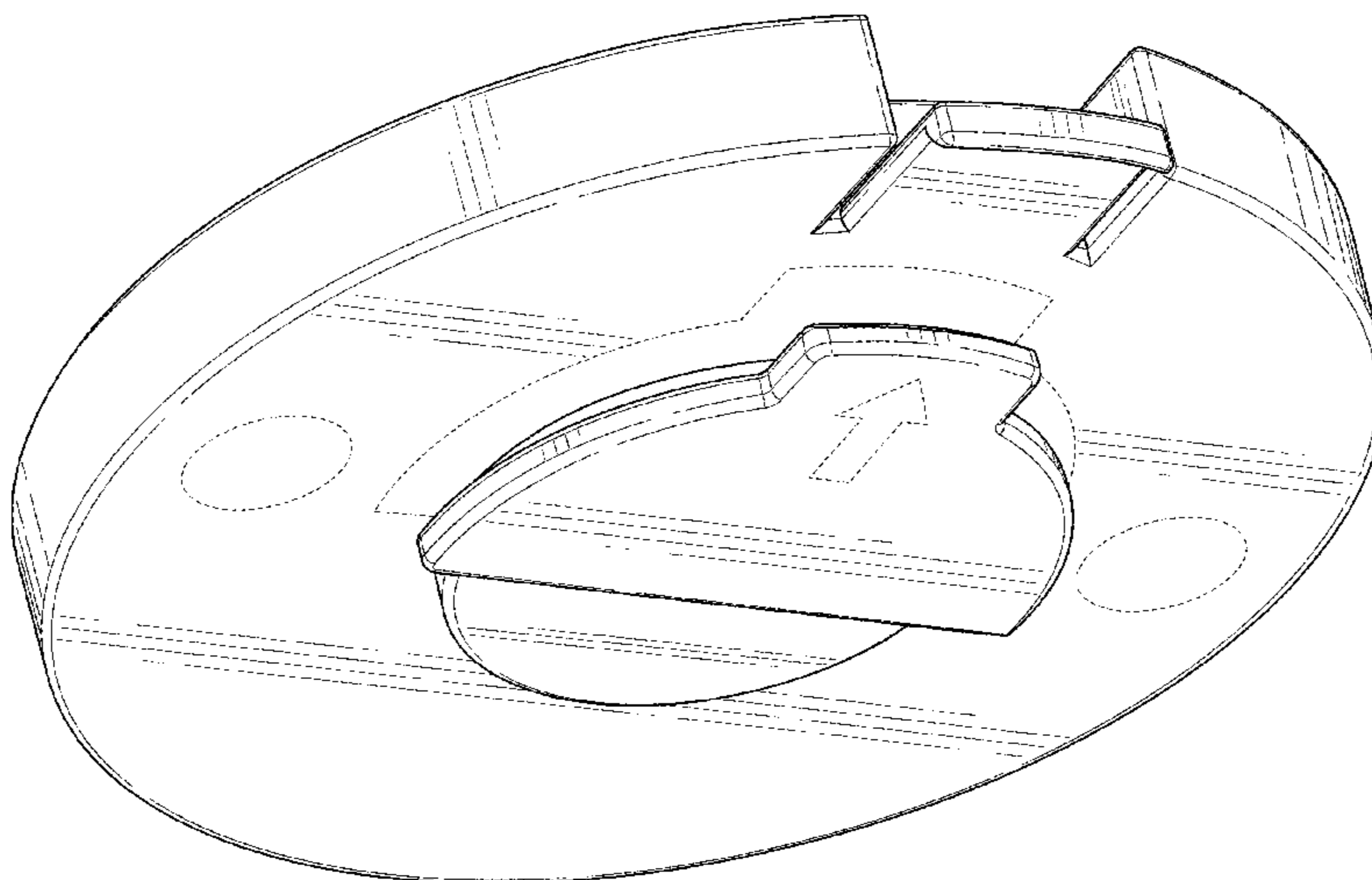
(57) **CLAIM**

The ornamental design for a mount for electronic devices, as shown and described.

**DESCRIPTION**

FIG. 1 is a top, front, and first side perspective view of a mount for electronic devices embodying the new design; FIG. 2 is a bottom, front, and second side perspective view thereof; FIG. 3 is a front and top perspective view thereof; FIG. 4 is a front view thereof; FIG. 5 is a back view thereof; FIG. 6 is a bottom view thereof; FIG. 7 is a top view thereof; FIG. 8 is a first side view thereof; and, FIG. 9 is a second side view thereof. The uniform repeating broken lines depict portions of a mount for electronic devices in which the claimed design is embodied and form no part of the claimed design.

**1 Claim, 9 Drawing Sheets**



(56)

References Cited

U.S. PATENT DOCUMENTS

4,852,843	A	8/1989	Chandler		7,145,603	B2	12/2006	Whitby
4,974,764	A	12/1990	Cantwell		D535,826	S	1/2007	Toghanian
D317,157	S	5/1991	Jondelius		D536,239	S	2/2007	Tallman
5,038,985	A	8/1991	Chapin		7,222,762	B2	5/2007	Rees
5,092,395	A	3/1992	Amidzich		D545,343	S	6/2007	Braun
5,227,582	A	7/1993	Velasco		D547,863	S	7/2007	Heinsch
D339,599	S	* 9/1993	Tiffen .....	D16/219	D551,008	S	9/2007	Hidalgo
5,273,690	A	12/1993	McDowell		D553,352	S	10/2007	Allen
5,297,318	A	3/1994	Adolphson		D557,266	S	12/2007	Hughes
D351,341	S	10/1994	Hung		D560,411	S	1/2008	Chung
5,385,282	A	1/1995	Chen		D564,529	S	3/2008	Hughes
5,400,990	A	3/1995	Frankel		D565,399	S	4/2008	Grey
D359,616	S	6/1995	Ishibashi		D568,889	S	5/2008	Hughes
D361,335	S	8/1995	Rudkiewicz		7,367,089	B2	5/2008	Cooke
D361,462	S	8/1995	Newham		D570,801	S	6/2008	Allen
D362,663	S	9/1995	Nguyen		D585,882	S	* 2/2009	Lum .....
D369,465	S	5/1996	Scheid		D586,795	S	2/2009	Richter
5,535,093	A	7/1996	Noguchi		D592,206	S	5/2009	O'Brien
5,555,491	A	9/1996	Tao		D596,172	S	7/2009	Ahlqvist
D376,531	S	* 12/1996	Polley .....	D21/443	D598,945	S	8/2009	Gillespie
D376,585	S	12/1996	Wathen		7,580,255	B2	8/2009	Crooijmans
D376,787	S	12/1996	Calfee		D601,000	S	9/2009	Cole
5,593,124	A	1/1997	Wang		D609,030	S	2/2010	Barabas
5,619,395	A	4/1997	McBride		D610,579	S	2/2010	Behar
5,619,774	A	4/1997	Perry		D624,949	S	10/2010	Nakayama
D388,107	S	12/1997	Huckins		D625,729	S	10/2010	McNames
D390,849	S	2/1998	Richter		D628,611	S	12/2010	Lewis
D395,641	S	* 6/1998	Gaete .....	D14/447	7,854,420	B2	12/2010	Depay
5,850,998	A	12/1998	Parsey		D633,503	S	3/2011	Bo
D407,408	S	3/1999	Hoff		7,925,320	B2	4/2011	Pemble
D409,079	S	5/1999	Sobczynski		7,959,121	B1	6/2011	Barnes
5,899,371	A	5/1999	Weliver		7,980,435	B2	7/2011	Tages
D411,542	S	6/1999	Richter		8,041,029	B2	10/2011	Wiegers
5,914,707	A	6/1999	Kono		D648,707	S	11/2011	Akana
5,961,083	A	10/1999	Hartman		D648,727	S	11/2011	Van Den Nieuwenhuizen
5,979,724	A	11/1999	Loewenthal		D654,077	S	2/2012	Radin
D420,149	S	2/2000	Hersh		D657,362	S	4/2012	Lister
6,039,173	A	3/2000	Crow		D660,306	S	5/2012	Voorhees
D425,353	S	5/2000	Foy		D662,491	S	6/2012	Andre
6,073,901	A	6/2000	Richter		D665,006	S	* 8/2012	Green .....
6,102,660	A	8/2000	Lee		D667,411	S	9/2012	Kim
6,105,923	A	8/2000	Robertson		D669,890	S	10/2012	Hopkins
D431,250	S	9/2000	Richter		D672,308	S	12/2012	Cobbett
6,163,997	A	12/2000	Deralas		8,322,584	B2	12/2012	Dethmers
6,193,546	B1	2/2001	Sadler		D675,208	S	1/2013	Petrick
D443,493	S	6/2001	Skeem		D680,540	S	4/2013	Lee
6,275,882	B1	8/2001	Cheever		D686,629	S	7/2013	Trinh
6,275,885	B1	8/2001	Chin		D690,707	S	10/2013	Minn
6,336,615	B1	1/2002	Jeon		8,544,805	B2	10/2013	Virgin
D456,024	S	4/2002	Richter		D695,748	S	12/2013	Morris
D456,413	S	4/2002	Malson		D700,832	S	3/2014	Ng
6,445,290	B1	9/2002	Fingal		8,668,179	B2	3/2014	Corn
6,485,144	B1	11/2002	Liao		D705,229	S	5/2014	Wengreen
D471,547	S	3/2003	Ruohonen		D710,340	S	8/2014	Wengreen
6,554,527	B1	4/2003	O'Donnell		D710,363	S	8/2014	Wengreen
6,560,983	B1	5/2003	Schimmeyer		D710,836	S	8/2014	Wengreen
D475,995	S	* 6/2003	Hsieh .....	D14/229	D712,394	S	9/2014	Booth
6,657,868	B1	12/2003	Hsue		D712,906	S	9/2014	Wengreen
6,691,374	B2	2/2004	Coyne		D713,395	S	9/2014	Godycki
6,888,940	B1	5/2005	Deppen		D713,399	S	9/2014	Green
6,912,125	B2	6/2005	Weng		D713,849	S	9/2014	Kirwer
D508,605	S	8/2005	Shih-Ming		8,847,549	B2	9/2014	Graham
6,939,641	B2	9/2005	Kincaid		8,848,113	B2	9/2014	Wengreen
6,983,126	B1	1/2006	Saalman		D714,793	S	10/2014	Kim
D518,704	S	4/2006	Miao		D716,580	S	11/2014	Wengreen
7,047,601	B1	5/2006	Vernon-Woods		D717,307	S	11/2014	Chun
7,067,737	B2	6/2006	Mallen		D717,804	S	11/2014	Budge
7,079,384	B2	7/2006	Wang		8,896,768	B1	11/2014	Wengreen
7,080,764	B2	7/2006	McNicholas		8,934,060	B1	1/2015	Wengreen
7,113,218	B2	9/2006	Battles		8,934,061	B1	1/2015	Wengreen
D529,713	S	10/2006	Guyot		8,939,417	B1	1/2015	Wengreen
D529,905	S	10/2006	Richter		D723,042	S	2/2015	Lee
D530,713	S	10/2006	Richter		8,988,616	B2	3/2015	Wengreen
D530,717	S	10/2006	Mori		9,019,698	B2	4/2015	Thiers
D533,175	S	12/2006	Richter		D729,544	S	5/2015	Wengreen
					D732,939	S	6/2015	Cannaverde
					D733,105	S	6/2015	Wengreen
					D733,542	S	7/2015	Cannaverde
					D733,691	S	7/2015	Wengreen



(56)

References Cited

U.S. PATENT DOCUMENTS

D734,305 S	7/2015	Wengreen	
D735,174 S	7/2015	Wengreen	
D736,848 S *	8/2015	Kim .....	D16/136
D739,407 S	9/2015	Son	
D739,410 S	9/2015	Chun	
9,131,195 B2	9/2015	Wengreen	
D742,387 S	11/2015	Xiang	
9,185,953 B2	11/2015	Whitten	
D746,599 S	1/2016	Olson	
D749,549 S	2/2016	Wengreen	
D749,597 S	2/2016	Wengreen	
D749,666 S *	2/2016	Ahdoot .....	D14/218
D750,633 S	3/2016	Minn	
D751,563 S	3/2016	Wengreen	
D752,415 S	3/2016	Lu	
9,339,112 B2	5/2016	Wengreen	
D759,005 S	6/2016	Murakami	
D759,018 S	6/2016	Subramaniam	
D761,236 S	7/2016	Wengreen	
D763,666 S	8/2016	Wengreen	
D763,835 S	8/2016	Wengreen	
D765,063 S	8/2016	Wengreen	
D765,064 S	8/2016	Wengreen	
D765,646 S	9/2016	Deng	
D765,651 S	9/2016	Liu	
D767,377 S	9/2016	Sekula	
D770,171 S	11/2016	Lai	
D772,217 S	11/2016	Alesi	
D777,167 S	1/2017	Wengreen	
9,543,082 B1	1/2017	Wengreen	
D779,466 S	2/2017	Wengreen	
9,578,960 B1	2/2017	Kuan-Yen	
D780,762 S	3/2017	Ju	
D784,438 S *	4/2017	Rondinelli .....	D16/242
D791,215 S *	7/2017	Schmidt .....	D16/202
D795,820 S	8/2017	Wengreen	
D800,824 S *	10/2017	Jacob .....	D16/245
D801,413 S *	10/2017	Martin .....	D16/242
D801,414 S *	10/2017	Martin .....	D16/242
D812,458 S *	3/2018	Goto .....	D8/382
2005/0023419 A1	2/2005	Frankel	
2005/0211861 A1	9/2005	Lee	
2005/0236541 A1	10/2005	Chang	
2006/0224575 A1	10/2006	Ostojic	
2007/0097617 A1	5/2007	Searby	
2007/0235609 A1	10/2007	Chun	
2007/0264169 A1	11/2007	Chen	
2008/0078793 A1	4/2008	Brown	
2009/0218454 A1	9/2009	Stanley	
2009/0296997 A1	12/2009	Rochefford	
2010/0270190 A1	10/2010	Howard	
2010/0281671 A1	11/2010	De Vaan	
2010/0288895 A1	11/2010	Shamie	
2010/0314277 A1	12/2010	Murray	
2011/0242439 A1	10/2011	Calderon	
2012/0126081 A1	5/2012	Wengreen	
2012/0127379 A1	5/2012	Wengreen	
2012/0168516 A1	7/2012	Bolger	
2012/0280014 A1	11/2012	Lopez-Apodaca	
2012/0312950 A1	12/2012	Sears	
2014/0061406 A1	3/2014	Chevalier	
2014/0103179 A1	4/2014	Lipke	
2014/0241705 A1	8/2014	Wengreen	
2015/0070835 A1	3/2015	McLean	
2015/0212544 A1	7/2015	Chen	
2015/0305502 A1	10/2015	Wengreen	
2016/0007735 A1	1/2016	Gallup	
2016/0119458 A1	4/2016	Gunther	
2016/0120295 A1	5/2016	Rowley	
2016/0218535 A1	7/2016	Prete	
2016/0234955 A1	8/2016	Wengreen	
2016/0241289 A1	8/2016	Wieth	
2017/0150620 A1	5/2017	Wengreen	
2017/0208945 A1	7/2017	Wengreen	

\* cited by examiner

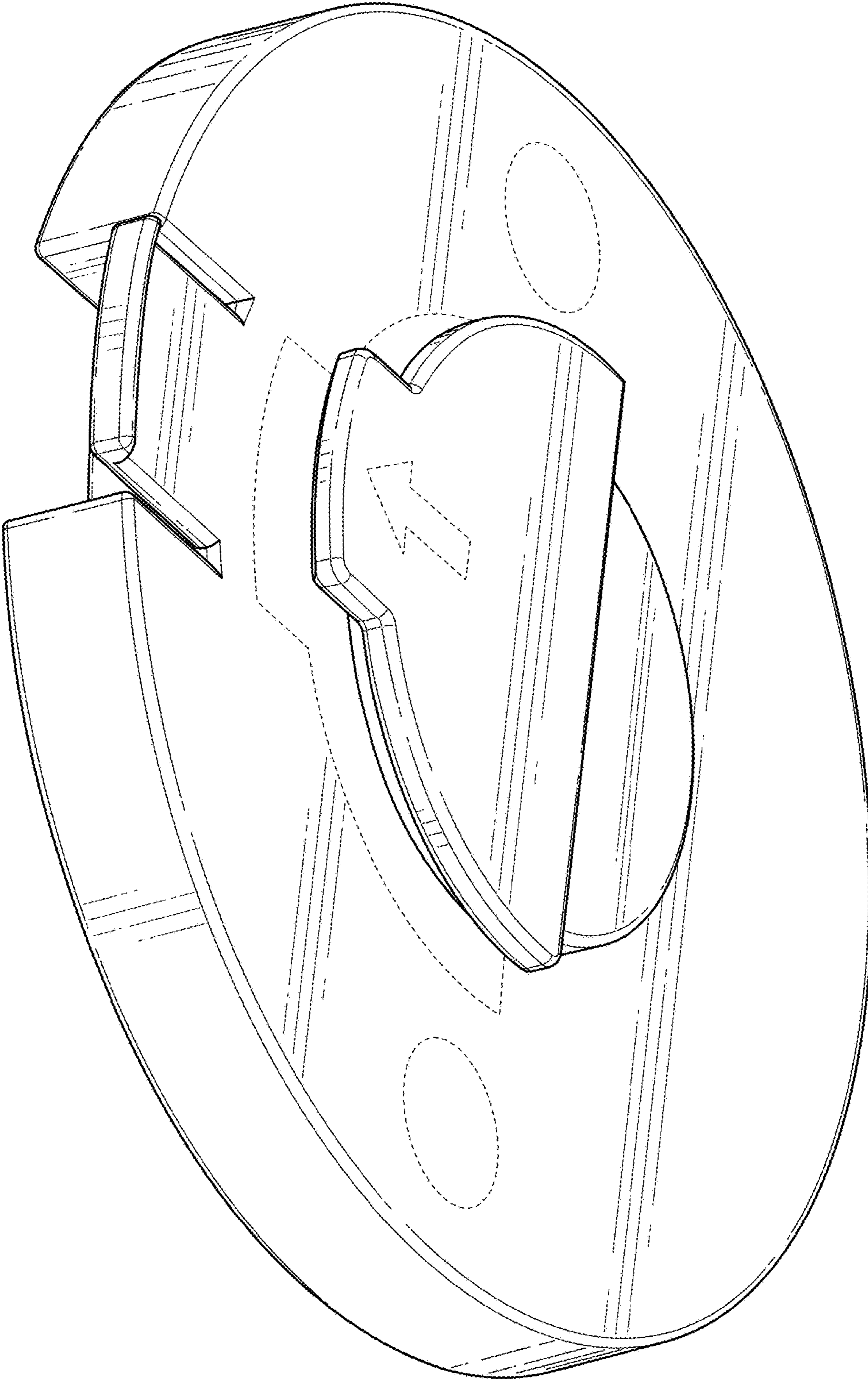


FIG. 1

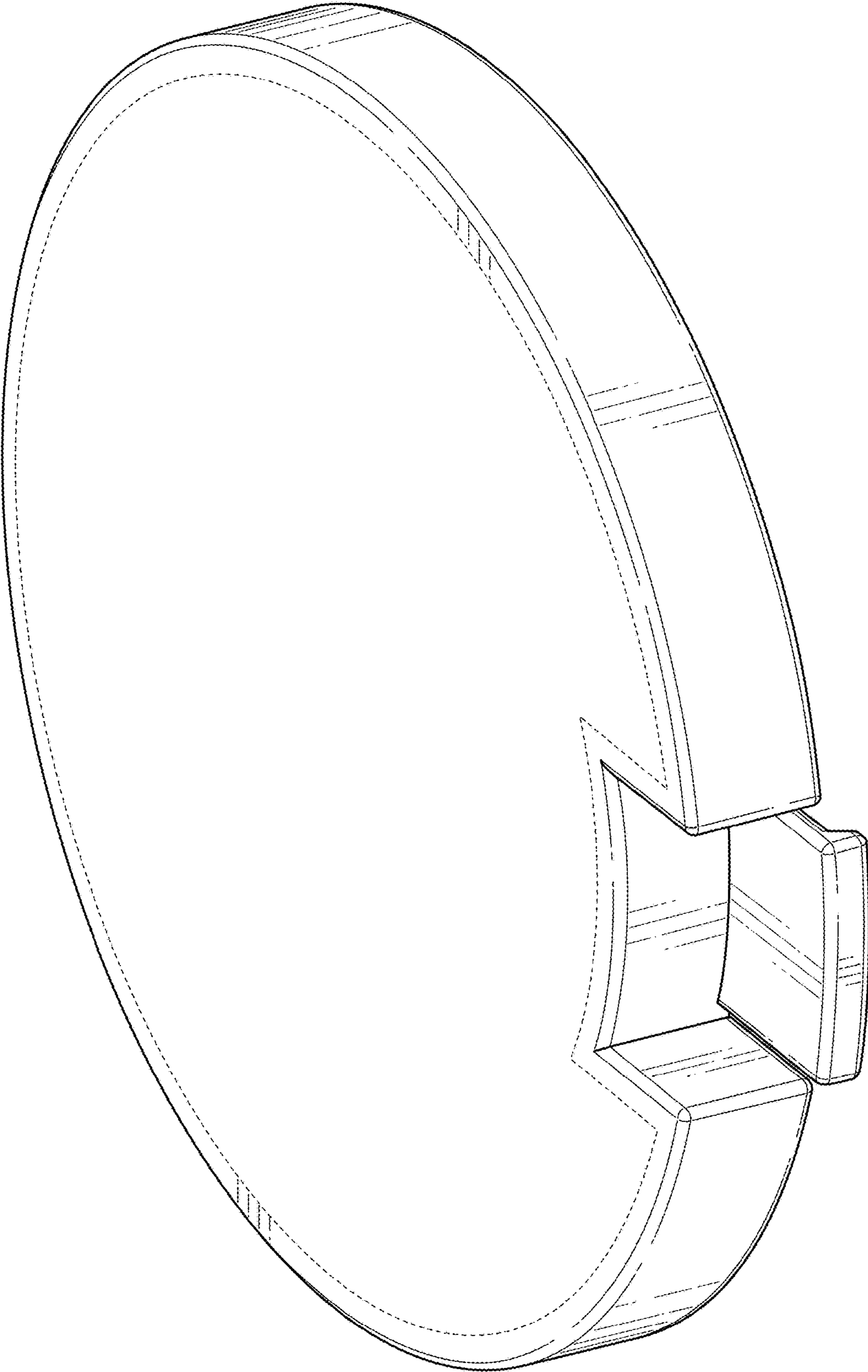


FIG. 2

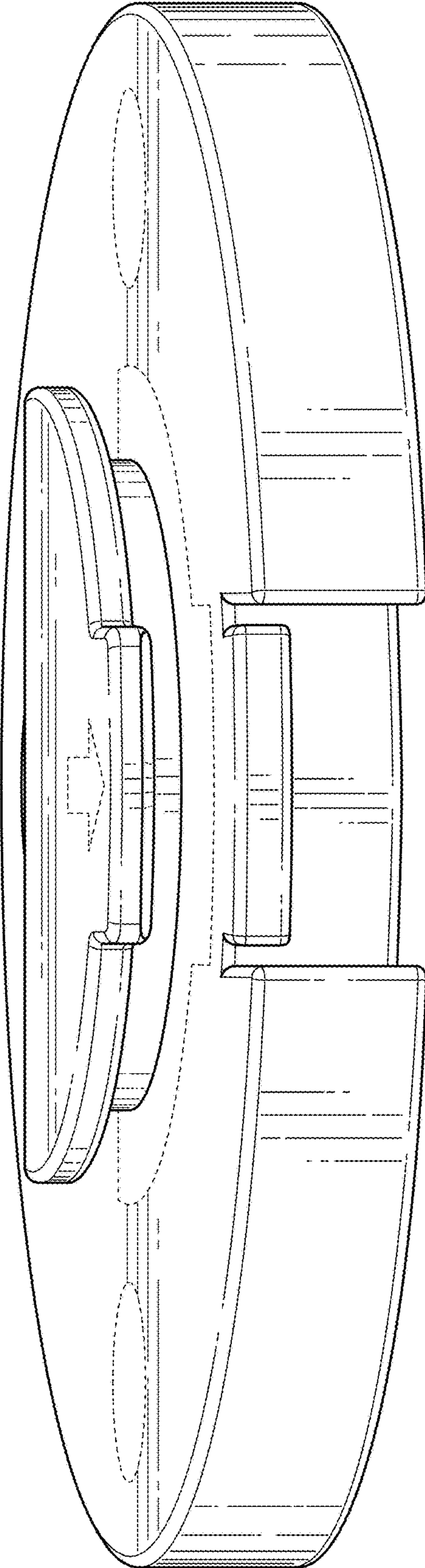


FIG. 3

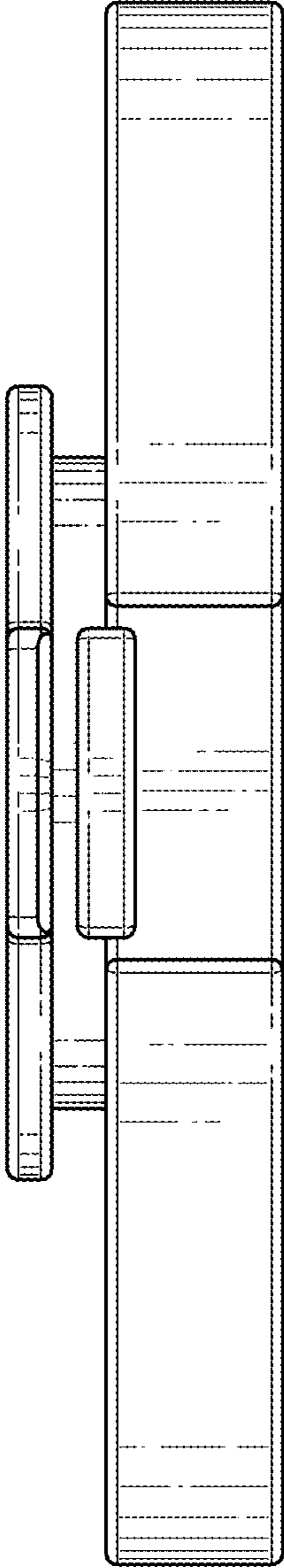


FIG. 4



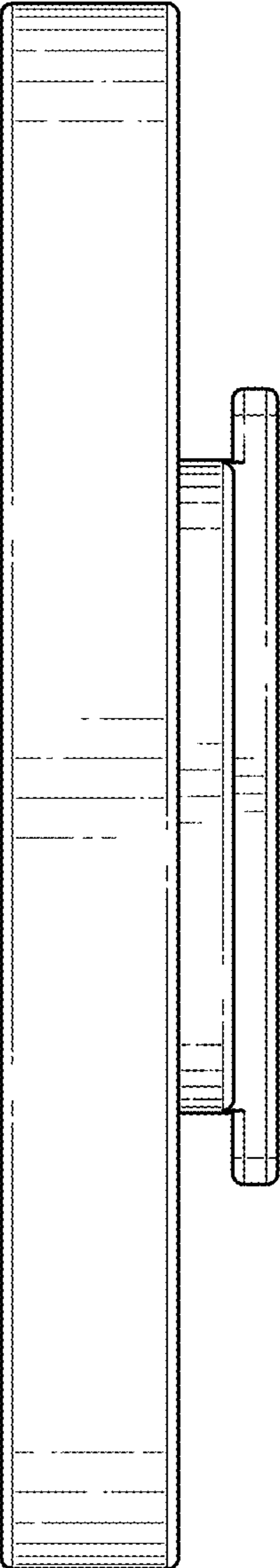


FIG. 5



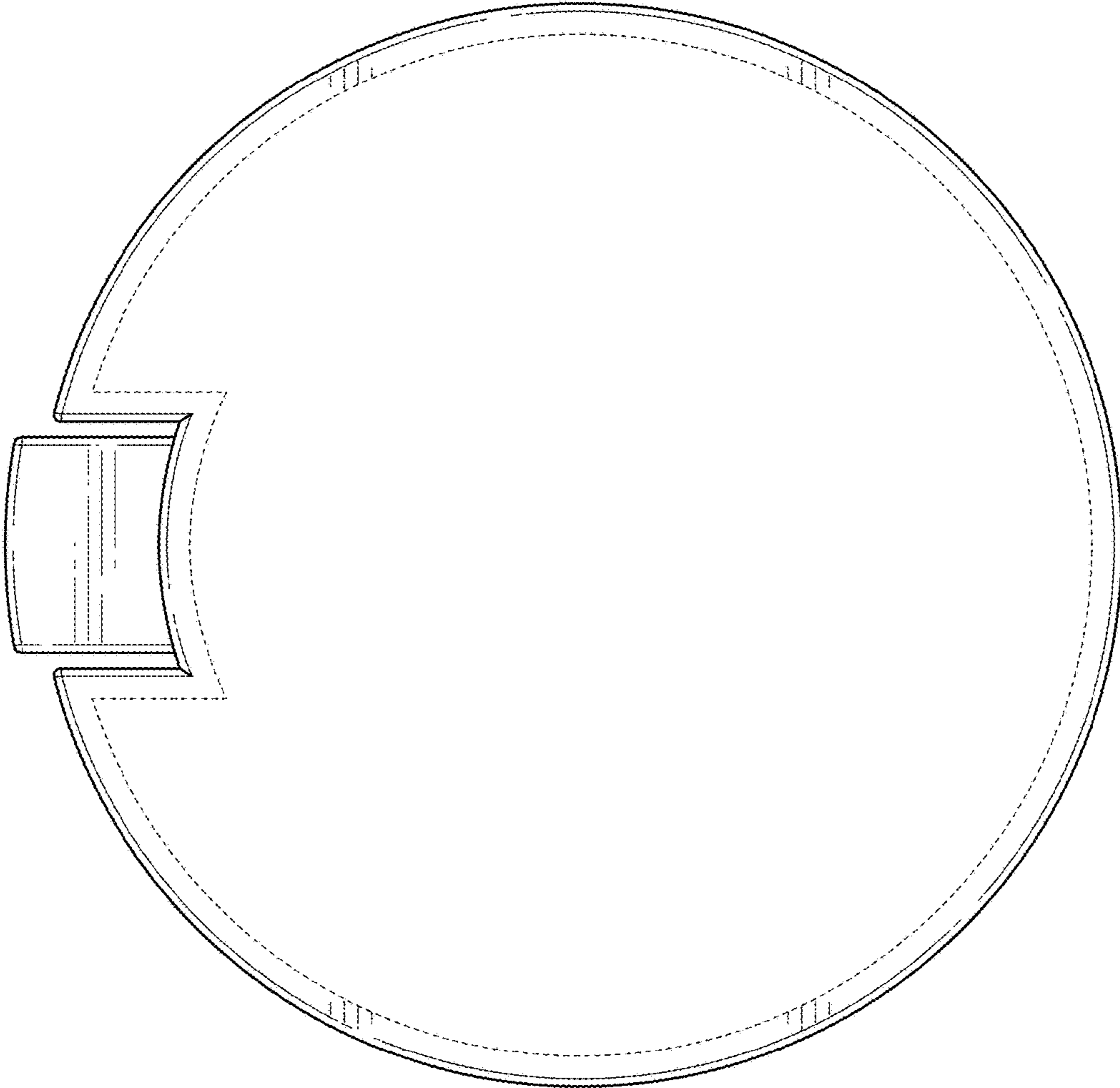


FIG. 6

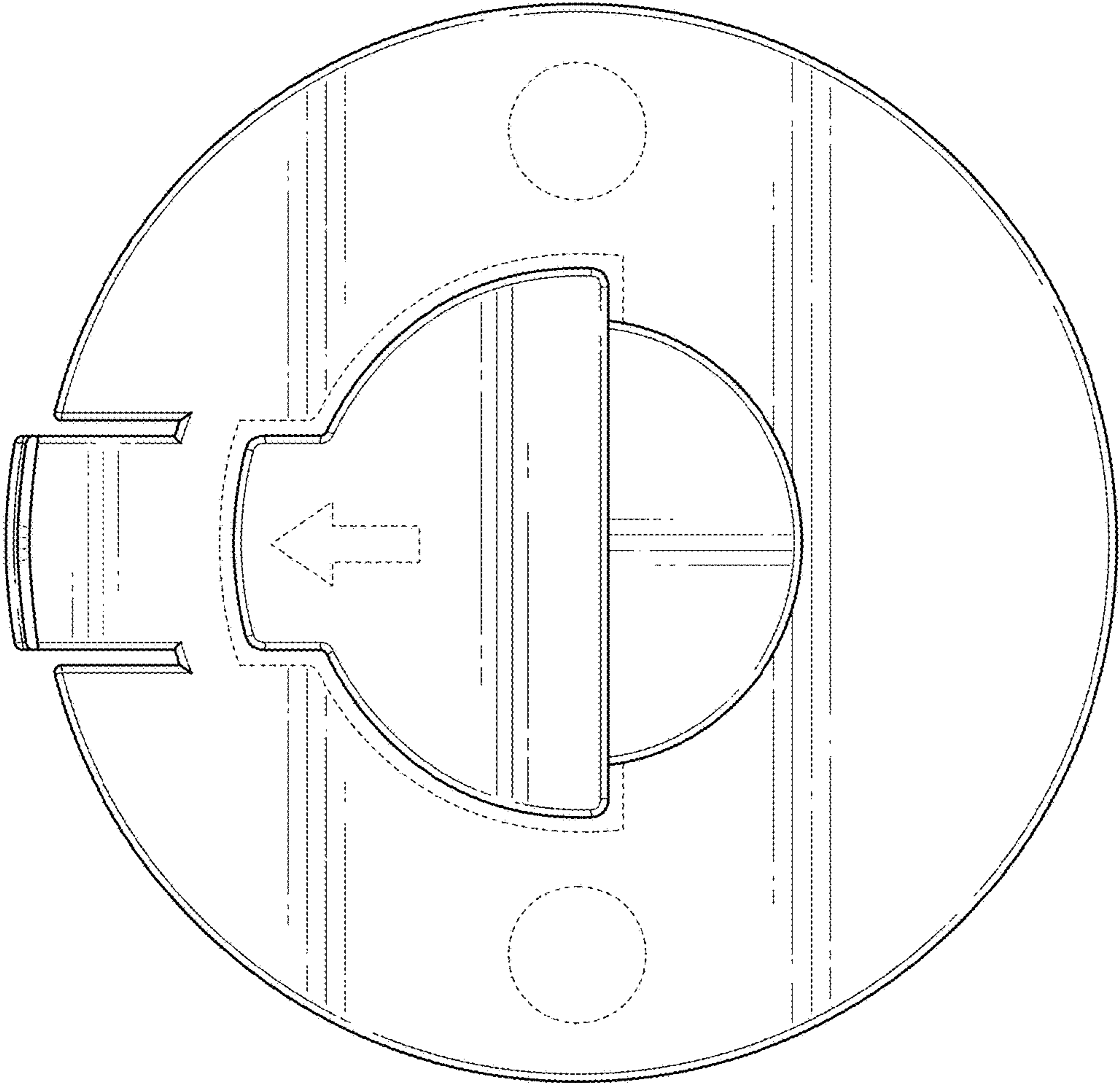


FIG. 7

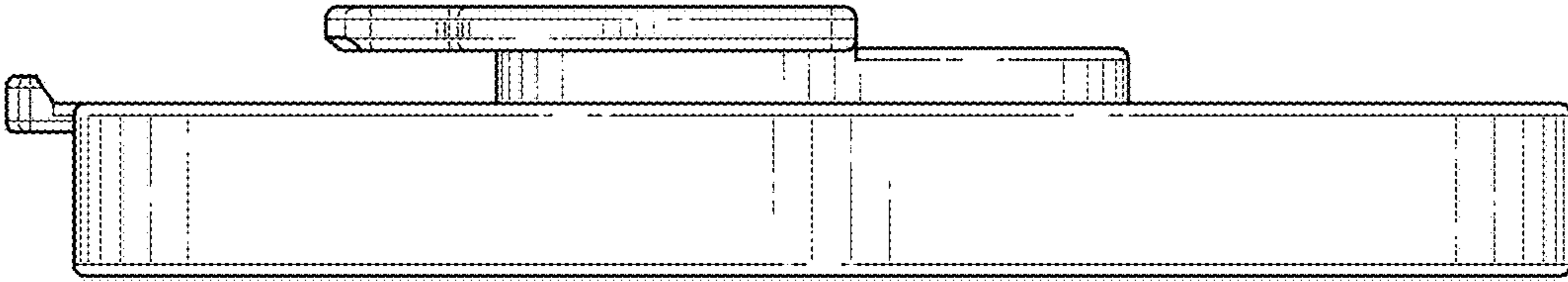


FIG. 8

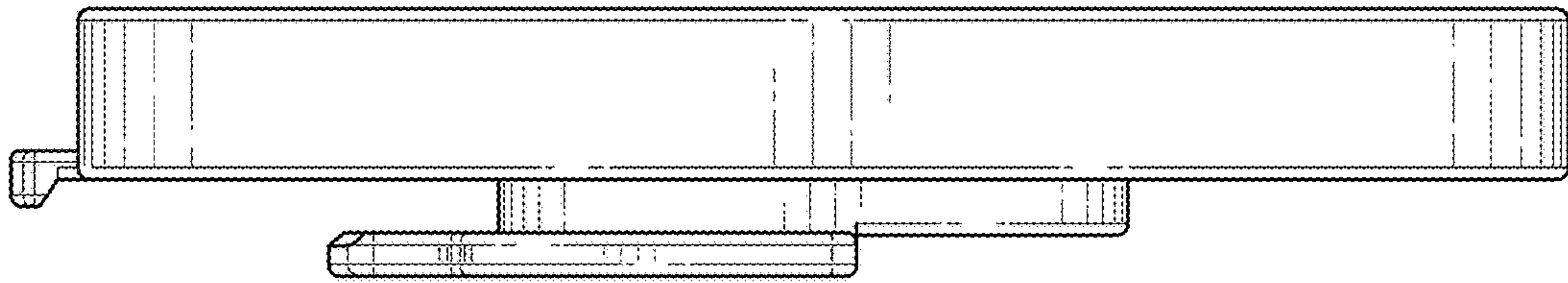


FIG. 9