



US00D825641S

(12) **United States Design Patent** (10) **Patent No.:** **US D825,641 S**  
**Sakai** (45) **Date of Patent:** **\*\* Aug. 14, 2018**

(54) **LENS FOR TELEVISION CAMERA**

(71) Applicant: **FUJIFILM Corporation**, Tokyo (JP)

(72) Inventor: **Hiroyuki Sakai**, Saitama (JP)

(73) Assignee: **FUJIFILM Corporation**, Tokyo (JP)

(\*\*) Term: **15 Years**

(21) Appl. No.: **29/575,507**

(22) Filed: **Aug. 25, 2016**

(30) **Foreign Application Priority Data**

Feb. 26, 2016 (JP) ..... 2016-004232

(51) **LOC (11) Cl.** ..... **16-05**

(52) **U.S. Cl.**  
USPC ..... **D16/219**

(58) **Field of Classification Search**  
USPC ..... D16/200–220, 239, 235, 242, 250, 310,  
D16/136; D14/251, 138 C, 302, 129,  
D14/130, 496; D26/28, 36, 37, 46, 39;  
D29/104; D10/104.1, 50, 65, 74  
CPC ... G02B 7/02; G02B 7/04; G02B 7/14; G03B  
17/00; G03B 17/14  
See application file for complete search history.

(56) **References Cited**

**U.S. PATENT DOCUMENTS**

D338,219 S \* 8/1993 Takahashi ..... D16/134  
D341,154 S \* 11/1993 Isozaki ..... D16/209  
D398,315 S \* 9/1998 Miyamoto ..... D16/134  
D407,728 S \* 4/1999 Miyamoto ..... D16/134  
D469,792 S \* 2/2003 Kawashima ..... D16/134  
7,444,074 B2 \* 10/2008 Shibasaki ..... G02B 7/102  
348/373  
8,023,033 B2 \* 9/2011 Kirihara ..... G03B 13/02  
348/333.01  
D717,356 S \* 11/2014 Nikaido ..... D16/134  
9,304,281 B2 \* 4/2016 Imagawa ..... G02B 7/102  
9,307,164 B2 \* 4/2016 Miyashita ..... G01D 5/24485

(Continued)

**FOREIGN PATENT DOCUMENTS**

EM 003353242-0001 \* 8/2016  
EM 003353242-0002 \* 8/2016  
JP D1430399 \* 12/2011

**OTHER PUBLICATIONS**

FUJINON UA13x4.5, announced 2016 [online], [site visited Nov. 21, 2017], Available from Internet URL: <<https://ifworld-designguide.com/entry/208067-fujinon-ua13x45>>.\*

(Continued)

*Primary Examiner* — Barbara Fox

*Assistant Examiner* — Mary C Ramirez

(74) *Attorney, Agent, or Firm* — Birch, Stewart, Kolasch & Birch, LLP

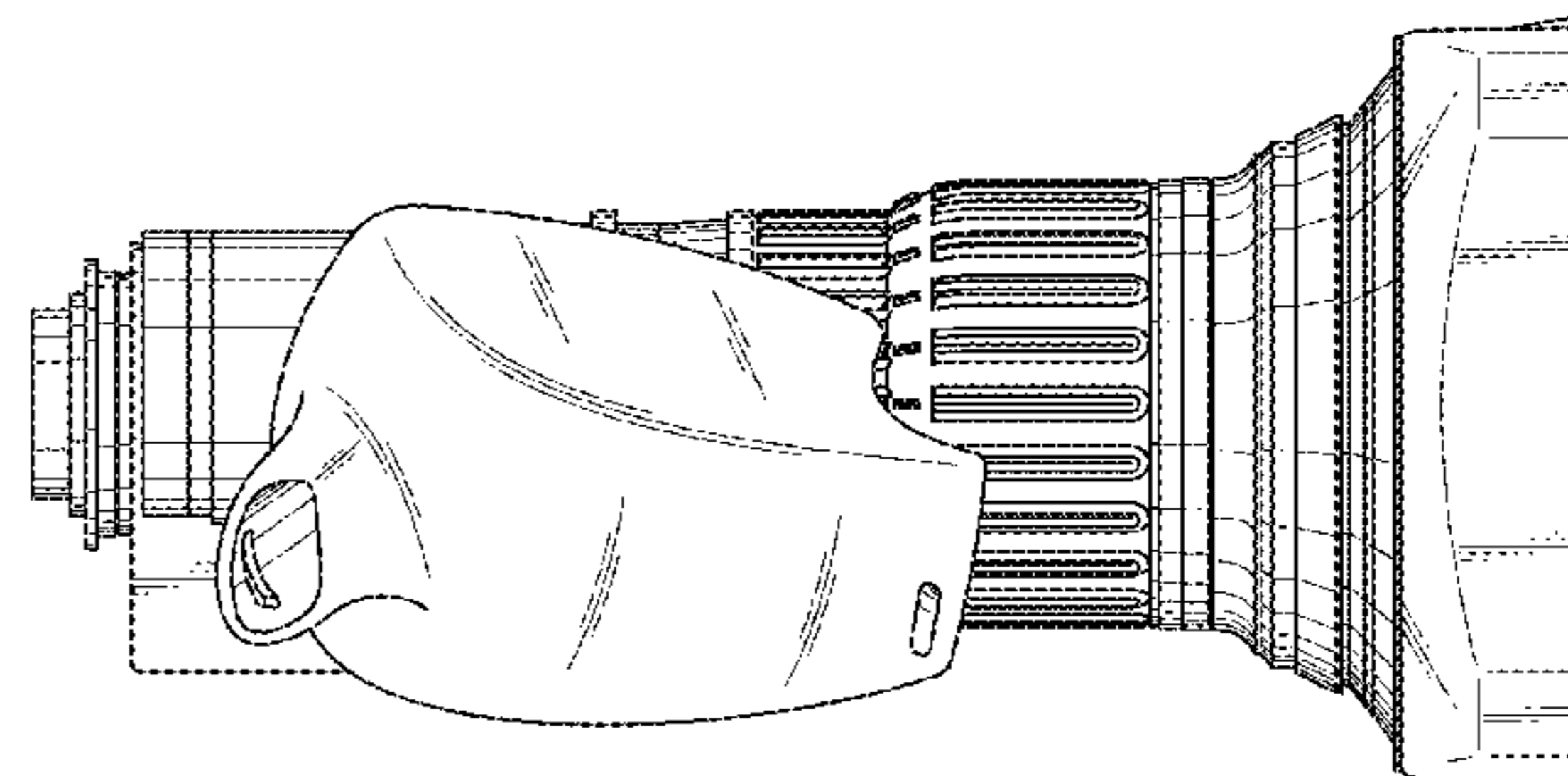
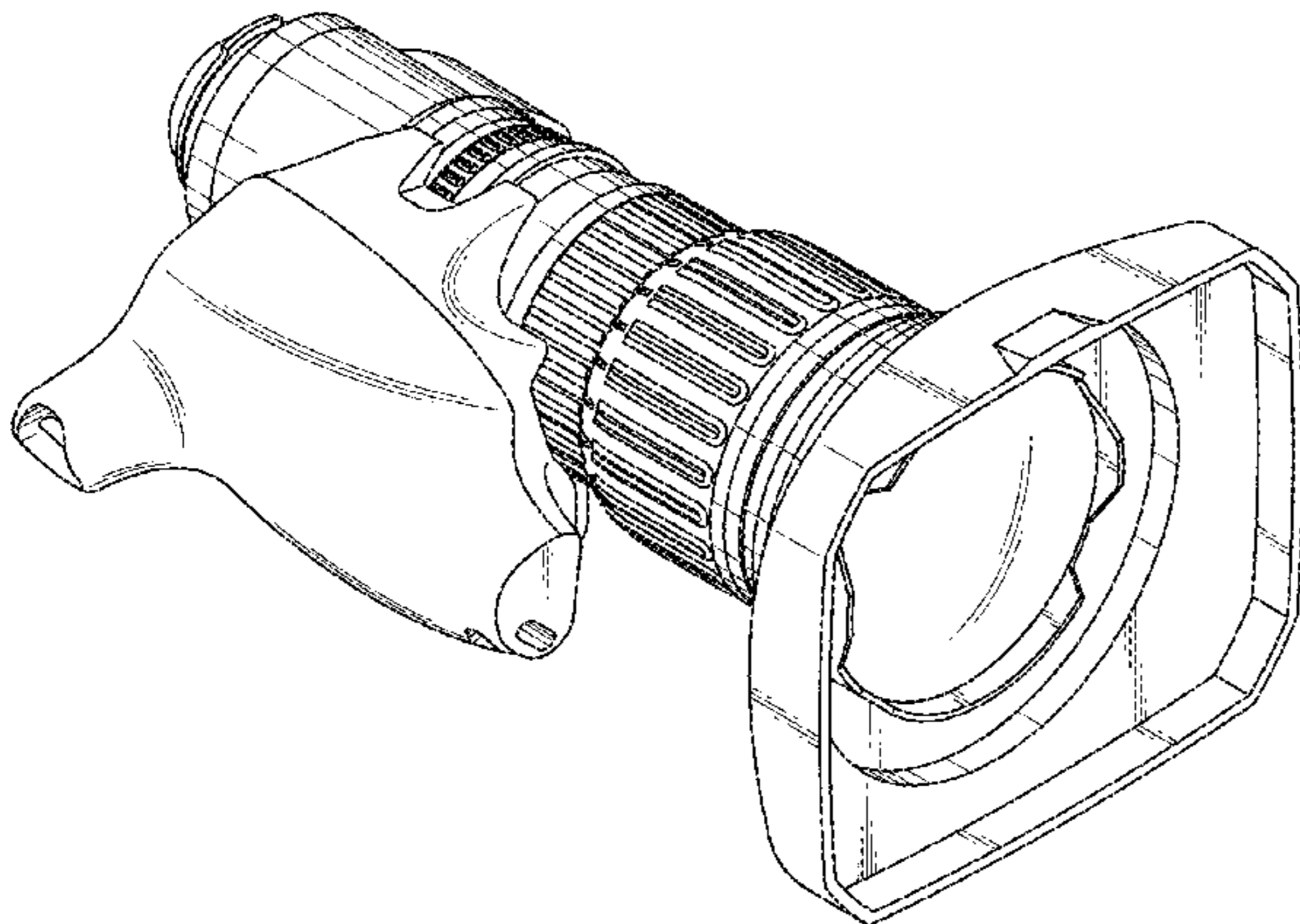
(57) **CLAIM**

The ornamental design for a lens for television camera, as shown and described.

**DESCRIPTION**

FIG. 1 is a front, left side perspective view of a lens for television camera showing our new design; FIG. 2 is a bottom, front, right side perspective view thereof; FIG. 3 is a top, front, right side view thereof; FIG. 4 is a bottom, front, left side view thereof; FIG. 5 is a front view thereof; FIG. 6 is a rear view thereof; FIG. 7 is a plan view thereof; FIG. 8 is a bottom view thereof; FIG. 9 is a left side view thereof; and, FIG. 10 is a right side view thereof. The broken lines shown in the drawings depict portions of the lens for television camera that form no part of the claimed design.

**1 Claim, 8 Drawing Sheets**



(56)

**References Cited**

U.S. PATENT DOCUMENTS

9,350,907	B2 *	5/2016	Matsuura .....	G02B 7/102
D768,226	S *	10/2016	Kawamura .....	D16/219
D788,836	S *	6/2017	Sakai .....	D16/219
D809,583	S *	2/2018	Morishita .....	D16/202
2003/0173494	A1 *	9/2003	Nakamura .....	G02B 7/08 250/201.2
2009/0219707	A1 *	9/2009	Gerchman .....	G02B 7/02 362/3
2017/0059813	A1 *	3/2017	Kageyama .....	G02B 7/10

OTHER PUBLICATIONS

FUJINON UA 22x8, announced Jun. 29, 2016 [online], [site visited Nov. 21, 2017], Available from Internet URL: <<https://www.youtube.com/watch?v=hN-gO1DbNrs>> at approximately 5:32.\*

4K New UA-Series Zoom Lenses announced Apr. 21, 2015 [online], [site visited Nov. 21, 2017], Available from Internet URL: <[https://www.youtube.com/watch?v=iASB3gbP\\_O8](https://www.youtube.com/watch?v=iASB3gbP_O8)> at approximately 1:07.\*

JP Notification (Partial Translation) for Japanese Design Application No. 2016-004232, Jul. 22, 2016.

2/3" HDTV ENG Lens HD portable lens equipped with world's first 2.2X extender, new wide lens HA14x4.5BE, p. 1, (Japan Patent Office, Design Division, Public Reference No. HC22010107), published Oct. 13, 2010.

A13x4.5ERM A 13x4.5ERD, p. 1, (Japan Patent Office, Design Division, Public Reference No. HC15011675), Publication Date Unknown (material accepted by JPO on May 9, 2003).

A13x6.3 RM/ERM, p. 1, (Japan Patent Office, Design Division, Public Reference No. HC15011679), Publication Date Unknown (material accepted by JPO on May 9, 2003).

Broadcast ENGLENS (DEMPA Newspaper 8. 11. 5P3), p. 3, (Japan Patent Office, Design Division, Public Reference No. HN09013141), Publication Date Unknown (material accepted by JPO on Sep. 16, 1997).

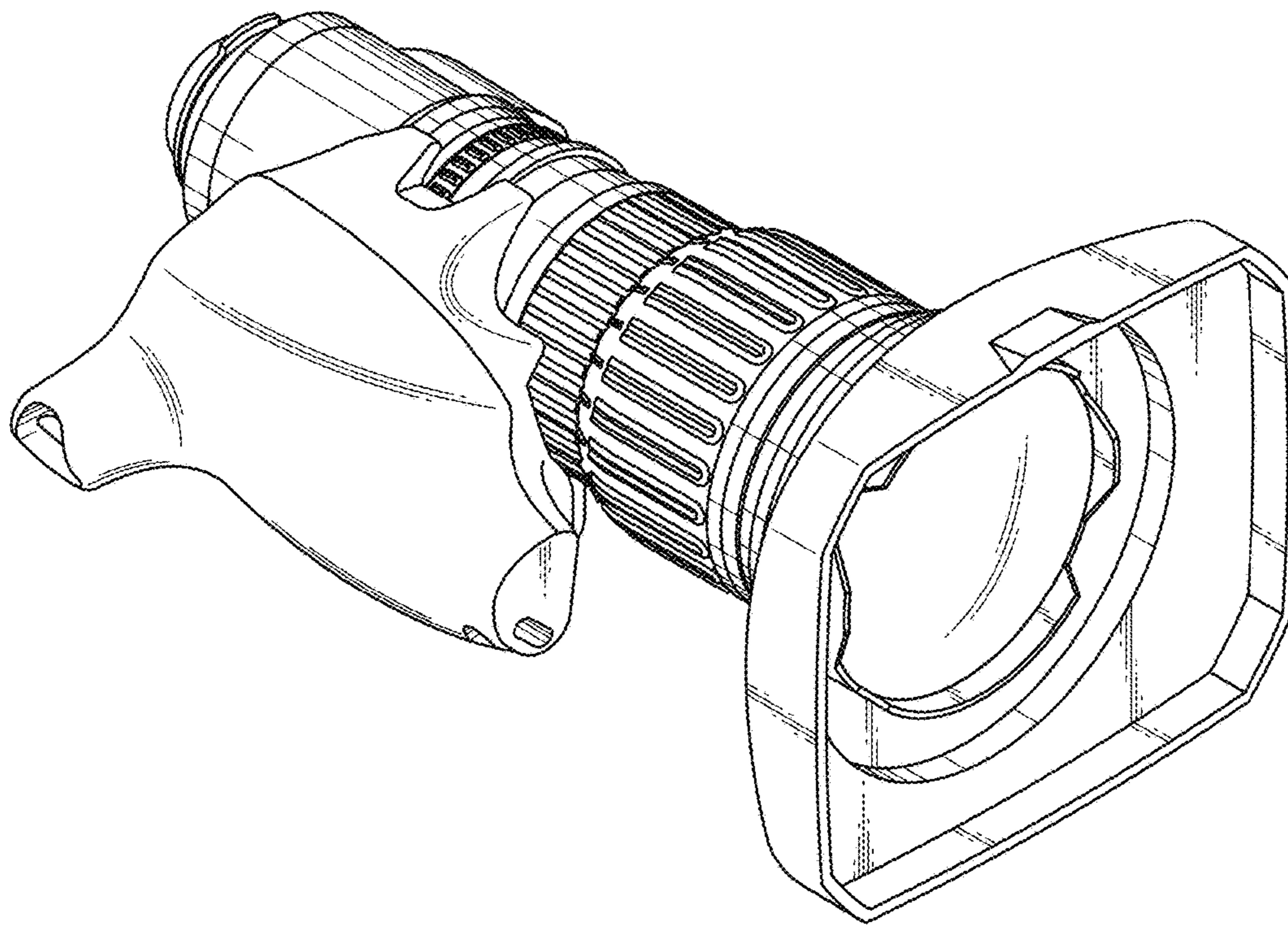
Fuji Photo Optical Co., Ltd., has been listed on the website, DIGI Power 13, (Japan Patent Office, Design Division, Public Reference No. HJ16000133), published Apr. 16, 2004.

Fuji Photo Optical Co., Ltd., has been listed on the website, HA16x6. 3BE, (Japan Patent Office, Design Division, Public Reference No. HJ17014525), published Mar. 3, 2006.

Fujifilm Corporation, has been listed on the website, (Japan Patent Office, Design Division, Public Reference No. HJ26003057), published Apr. 15, 2014.

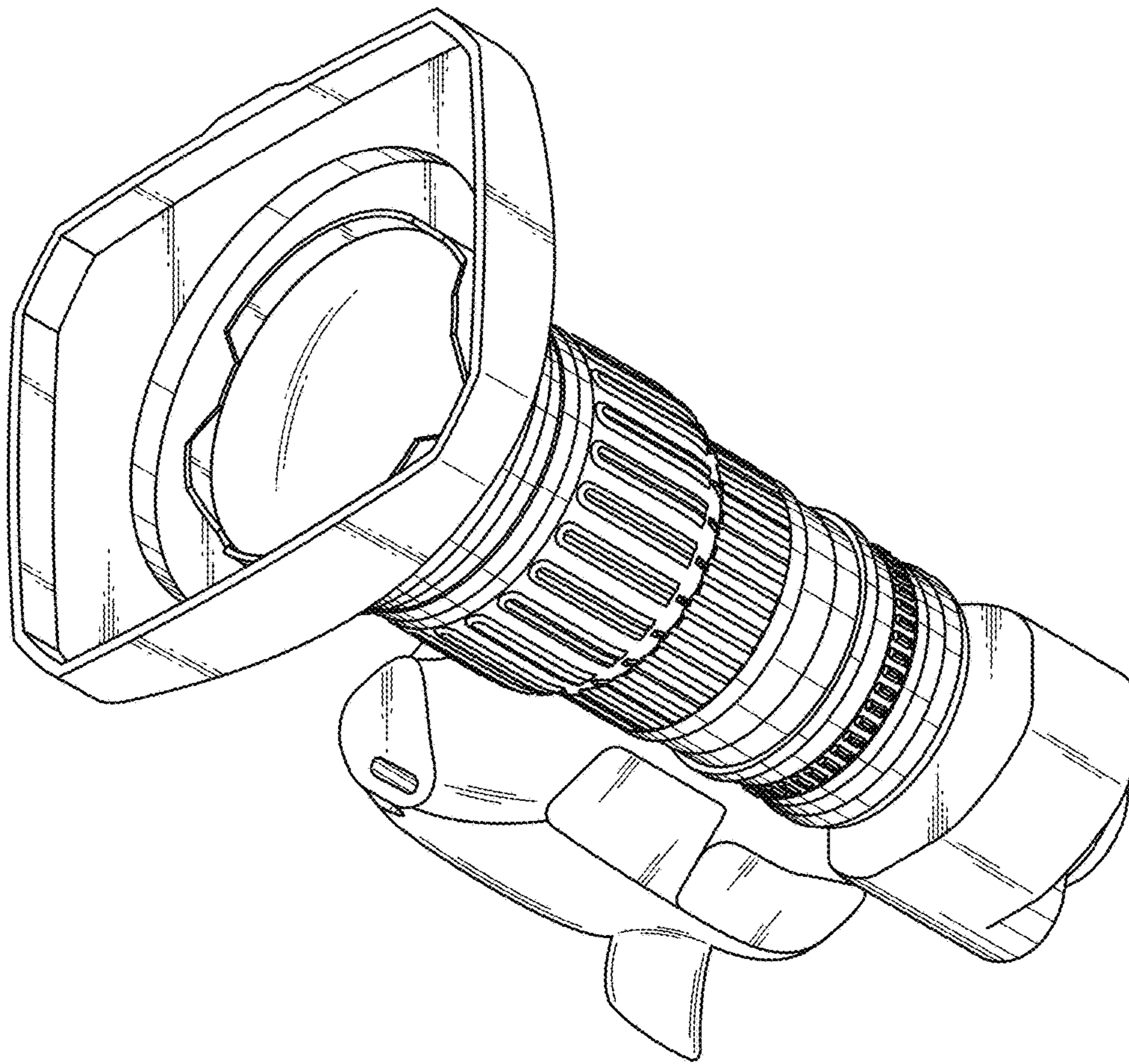
\* cited by examiner

**FIG. 1**





**FIG. 2**



**FIG. 3**

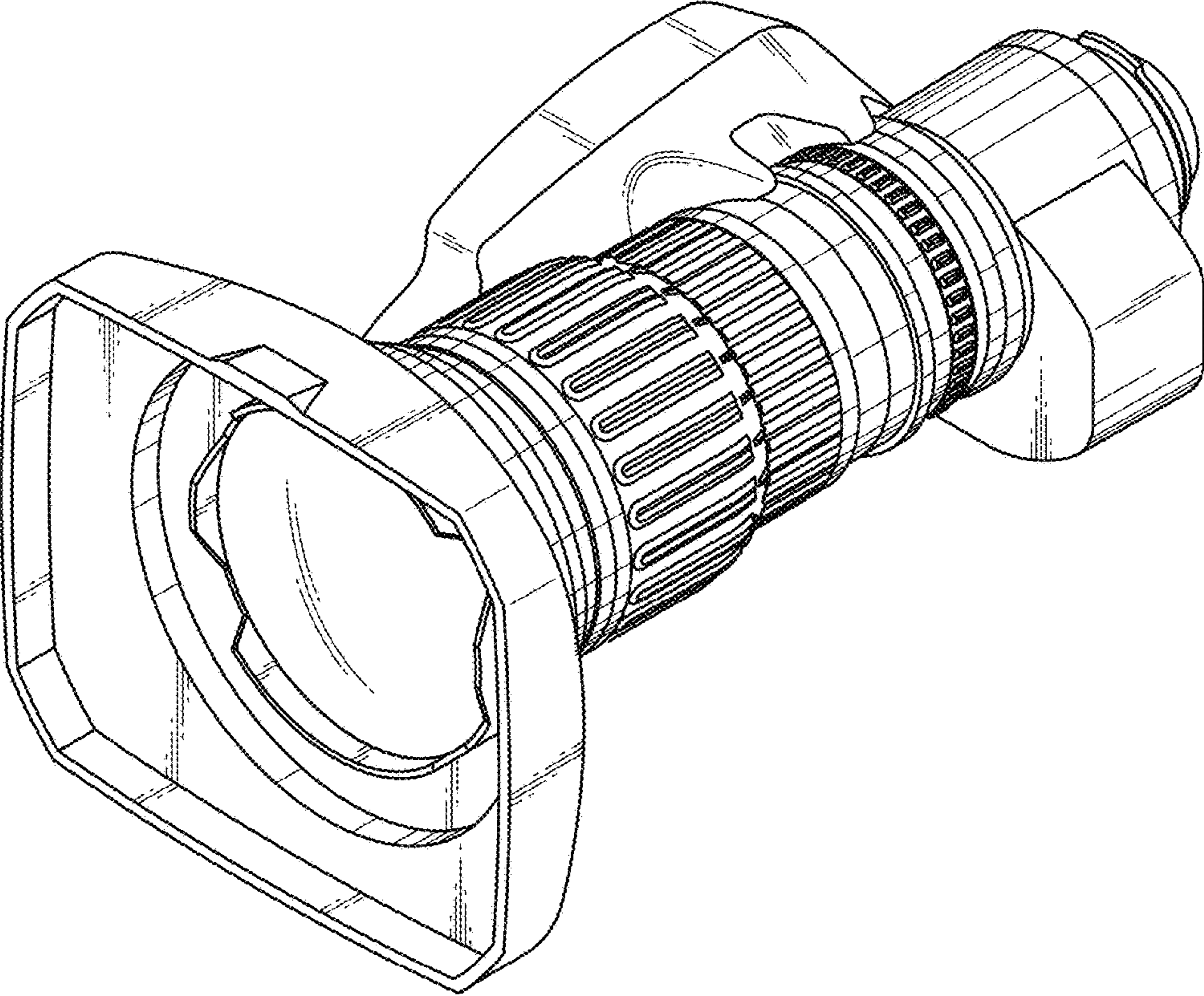
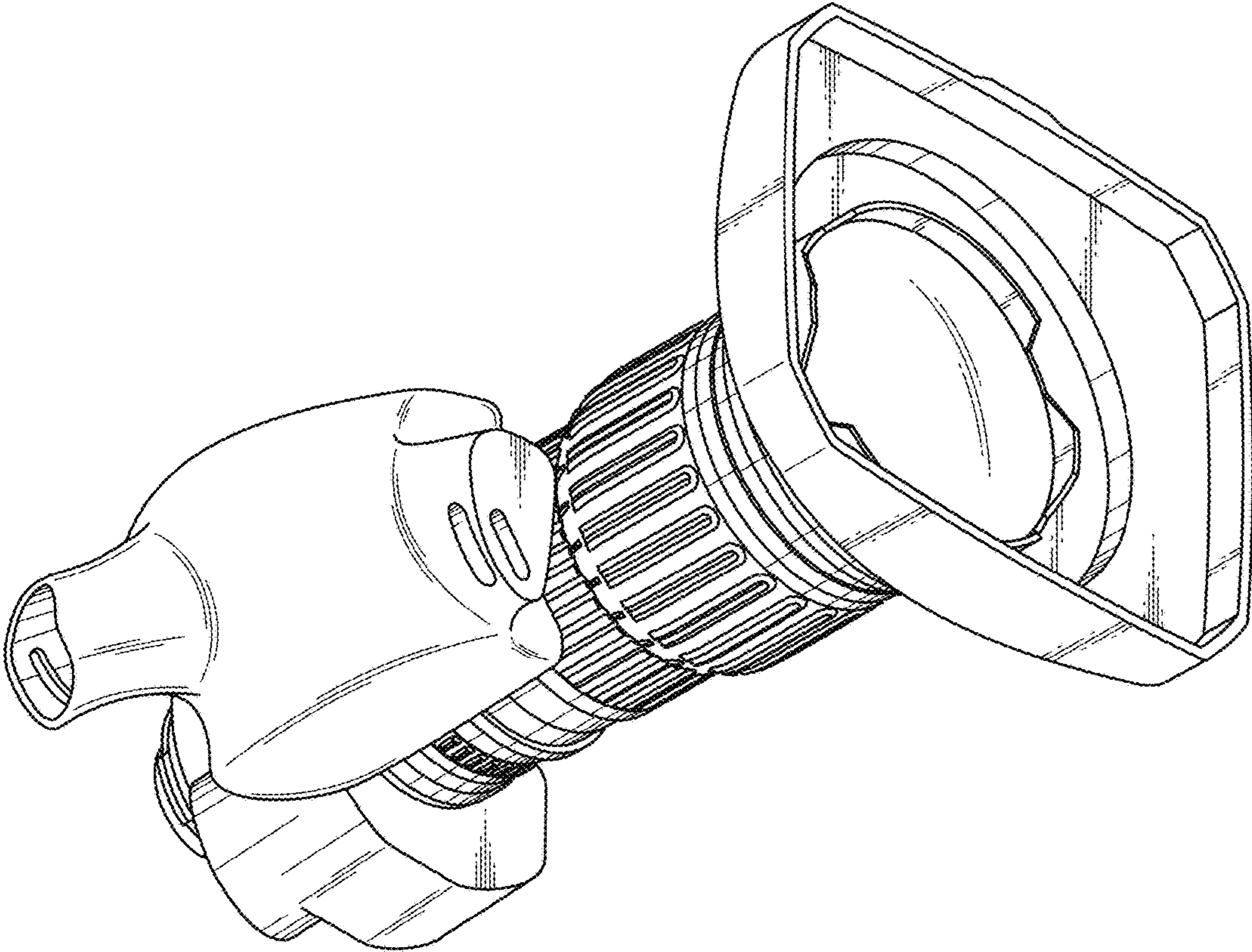
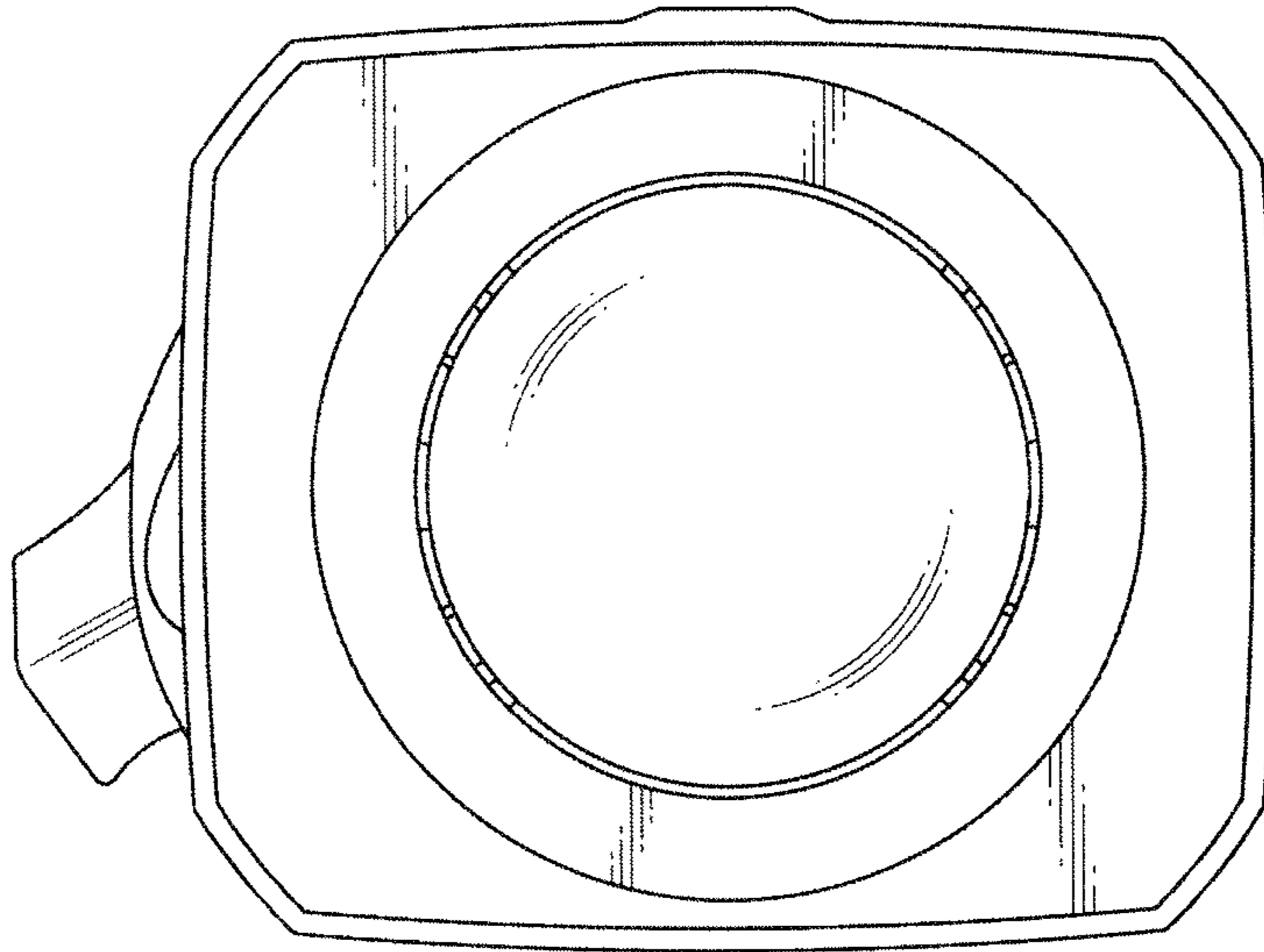


FIG. 4

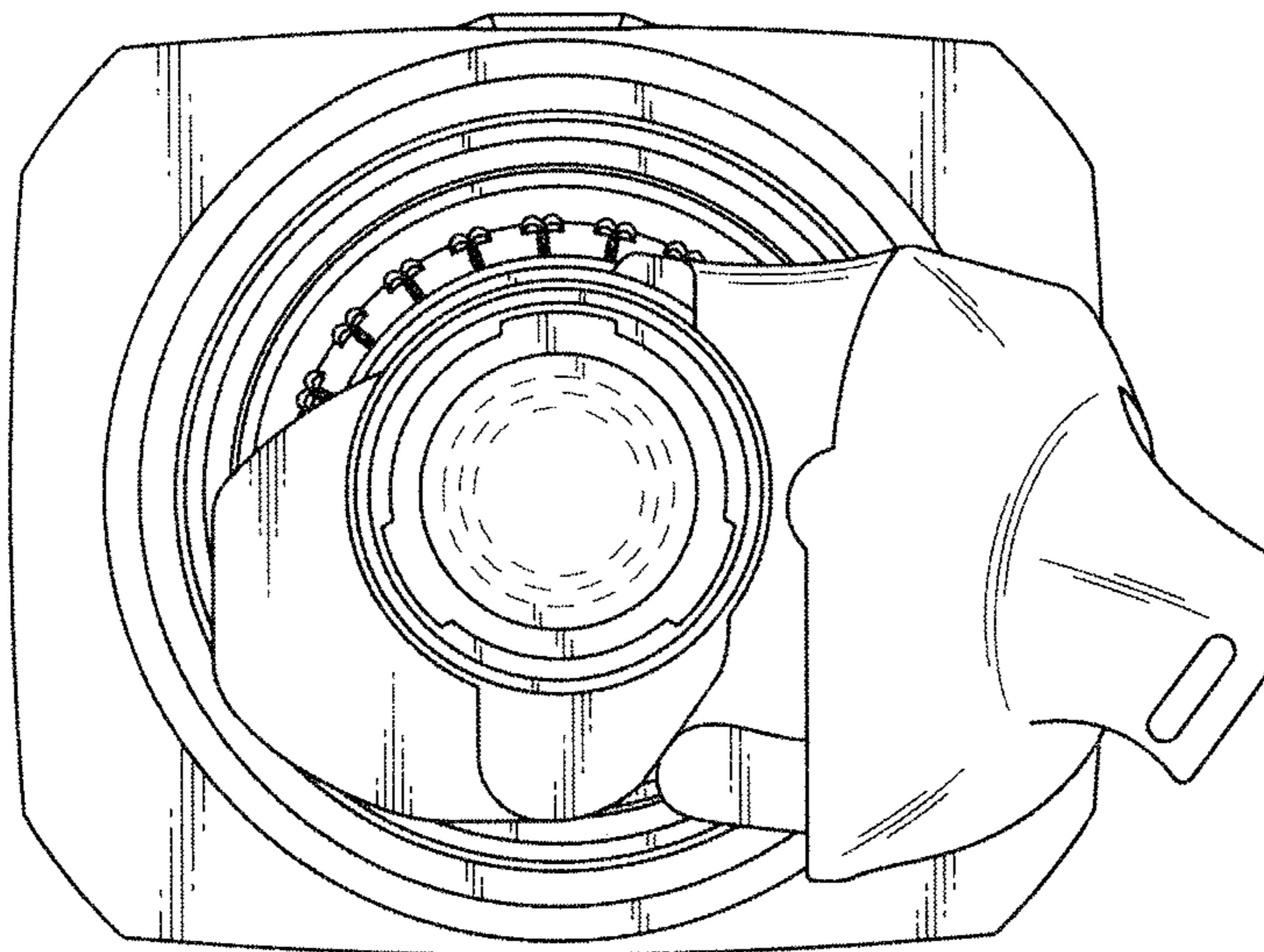




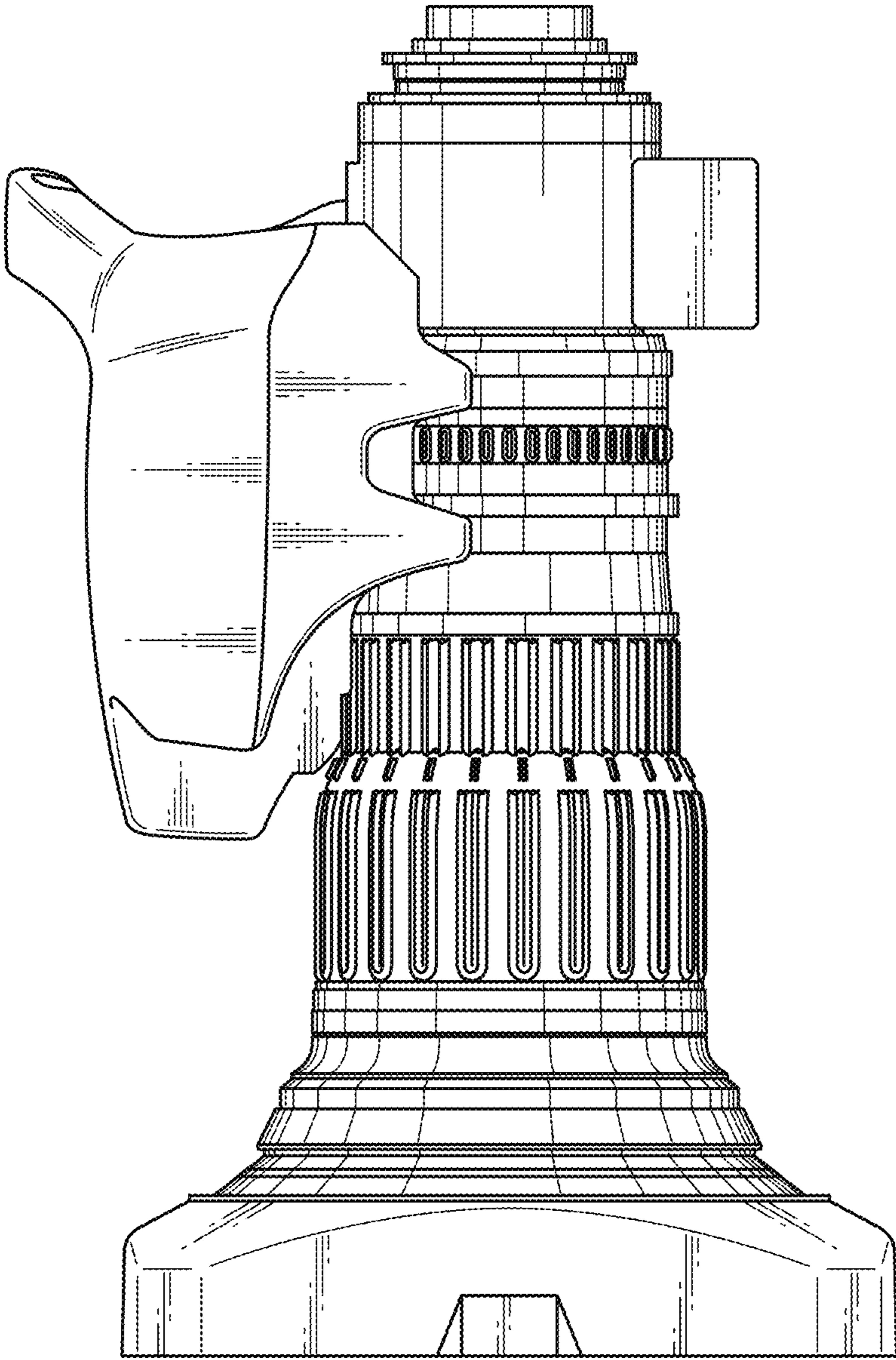
**FIG. 5**



**FIG. 6**

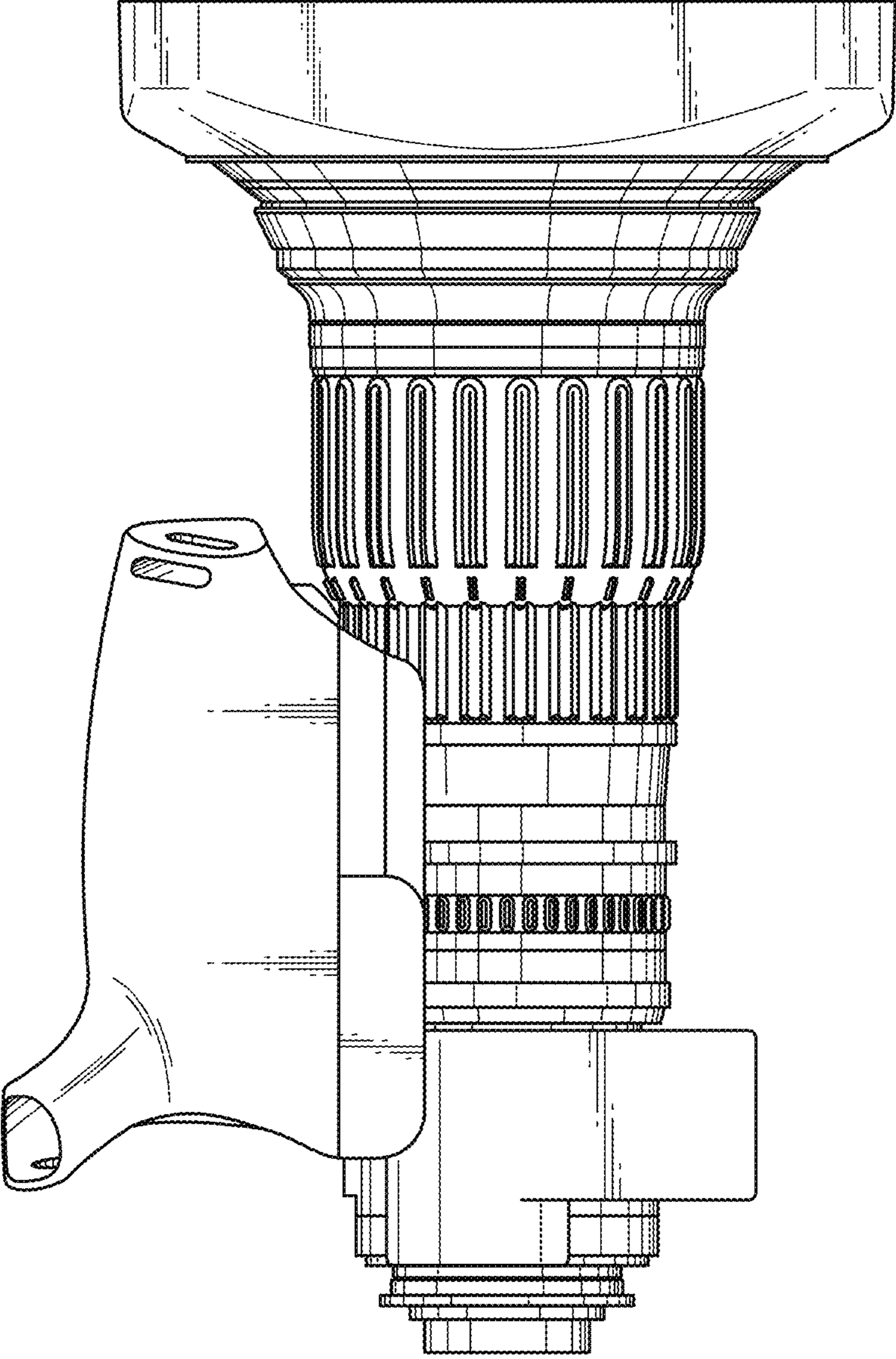


**FIG. 7**

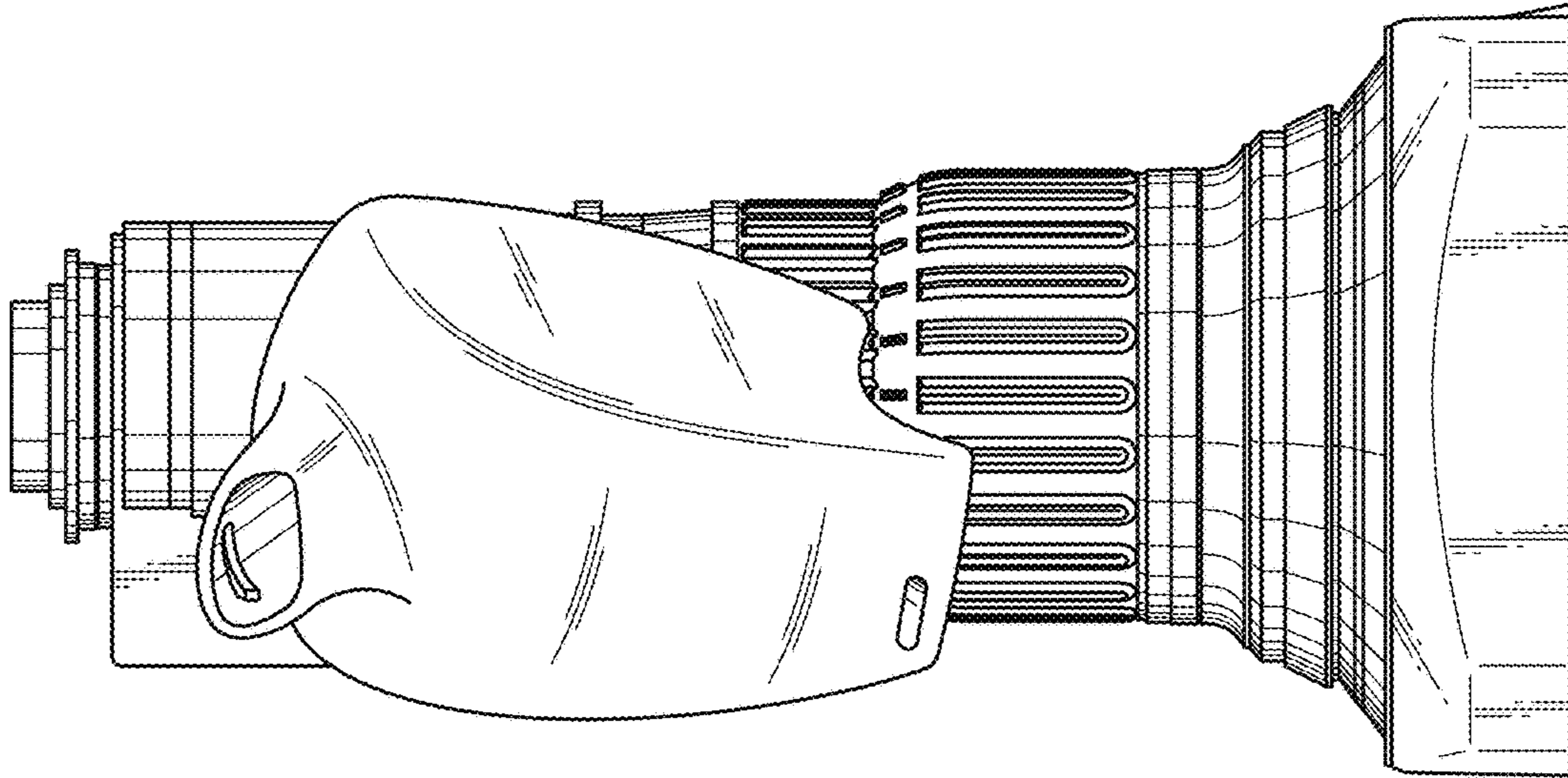




**FIG. 8**



**FIG. 9**



**FIG. 10**

