

US00D825640S

(12) **United States Design Patent** (10) **Patent No.:** **US D825,640 S**
Andersson et al. (45) **Date of Patent:** **** Aug. 14, 2018**

(54) **MONITORING CAMERA**

(56) **References Cited**

(71) Applicant: **AXIS AB**, Lund (SE)

U.S. PATENT DOCUMENTS

(72) Inventors: **Johan Andersson**, Lund (SE); **Morten Bergstrom**, Lund (SE); **Daniel Ahman**, Lomma (SE); **Mathias Walter**, Arlov (SE)

D517,585 S	3/2006	Iino et al.	
D542,319 S	5/2007	Ishida et al.	
D543,567 S	5/2007	Kato et al.	
D574,870 S	8/2008	Takahashi	
D597,117 S *	7/2009	Yamane	D16/203
D626,984 S	11/2010	Miyaji	
D695,809 S *	12/2013	Katori	D16/203
8,695,258 B2 *	4/2014	Kori	G09F 7/06 40/663
D704,240 S	5/2014	McBride et al.	
D708,654 S	7/2014	Tani	
D722,635 S *	2/2015	Richardson	D16/203
D741,389 S	10/2015	Park et al.	
D751,619 S	3/2016	Jeong et al.	

(73) Assignee: **AXIS AB**, Lund (SE)

(**) Term: **15 Years**

(21) Appl. No.: **29/629,161**

(22) Filed: **Dec. 12, 2017**

(Continued)

Related U.S. Application Data

(62) Division of application No. 29/573,030, filed on Aug. 2, 2016, now Pat. No. Des. 809,048.

FOREIGN PATENT DOCUMENTS

EM	002568121-0001	10/2014
EM	002568121-0002	10/2014
TW	D153141	4/2013

(30) **Foreign Application Priority Data**

Feb. 2, 2016 (EM) 002967810

(51) **LOC (11) Cl.** **16-01**

(52) **U.S. Cl.**
USPC **D16/203**

(58) **Field of Classification Search**

USPC D16/200, 202-206, 218, 219, 242;
348/143, 148, 151, 373-376; 396/419,
396/427, 535, 539-541
CPC G03B 17/02; G03B 19/04; G03B 17/56;
G03B 17/04; G03B 15/03; H04N 5/2251;
H04N 5/2252; H04N 5/2253; H04N
5/2254; H04N 7/181; H04N 7/183; H04N
7/18; G08B 13/1963; G08B 13/19619;
G08B 13/19632; F16M 11/04; F16M
13/00

See application file for complete search history.

Primary Examiner — Philip S Hyder

Assistant Examiner — Ramzi S Almatrahi

(74) *Attorney, Agent, or Firm* — Volpe and Koenig, P.C.

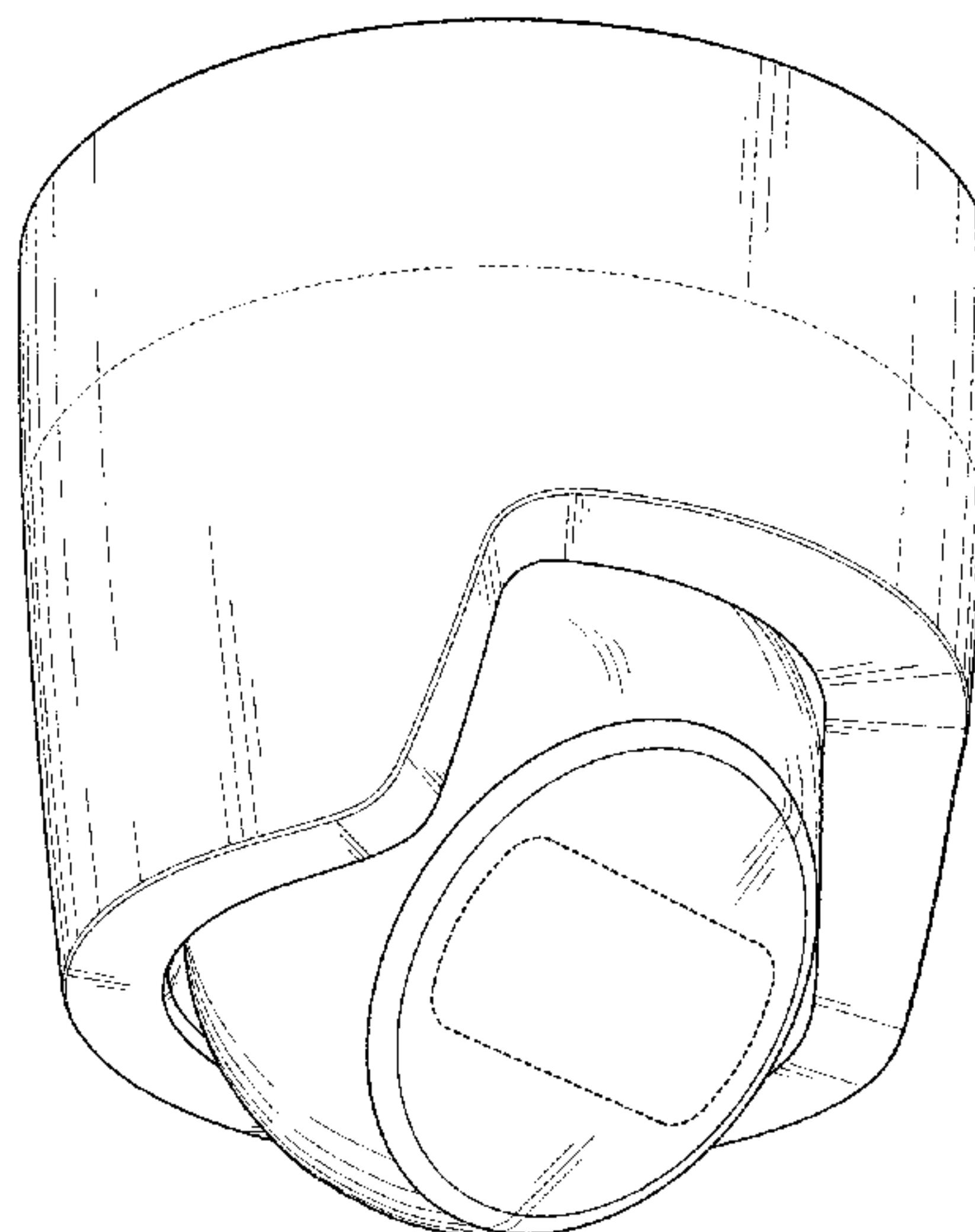
(57) **CLAIM**

The ornamental design for a monitoring camera, as shown and described.

DESCRIPTION

FIG. 1 is a perspective view of a monitoring camera showing our new design;
FIG. 2 is a front elevational view thereof;
FIG. 3 is a bottom plan view thereof;
FIG. 4 is a right side view thereof;
FIG. 5 is a left side view thereof;
FIG. 6 is a rear elevational view thereof; and,
FIG. 7 is a top plan view thereof.
The broken lines depict portions of the monitoring camera that form no part of the claimed design.

1 Claim, 7 Drawing Sheets



(56)

References Cited

U.S. PATENT DOCUMENTS

D752,675	S	3/2016	Ravat	
D753,204	S *	4/2016	Luo	D16/202
D771,173	S	11/2016	Hinkel	
D783,076	S *	4/2017	Ravat	D16/203
D786,329	S *	5/2017	Kamei	D16/202
D798,361	S *	9/2017	Kim	D16/203
D809,047	S *	1/2018	Borg	D16/203
D813,926	S *	3/2018	Shin	D16/203
2007/0201862	A1	8/2007	Van Schaik et al.	
2010/0245569	A1	9/2010	Hakoishi	

* cited by examiner

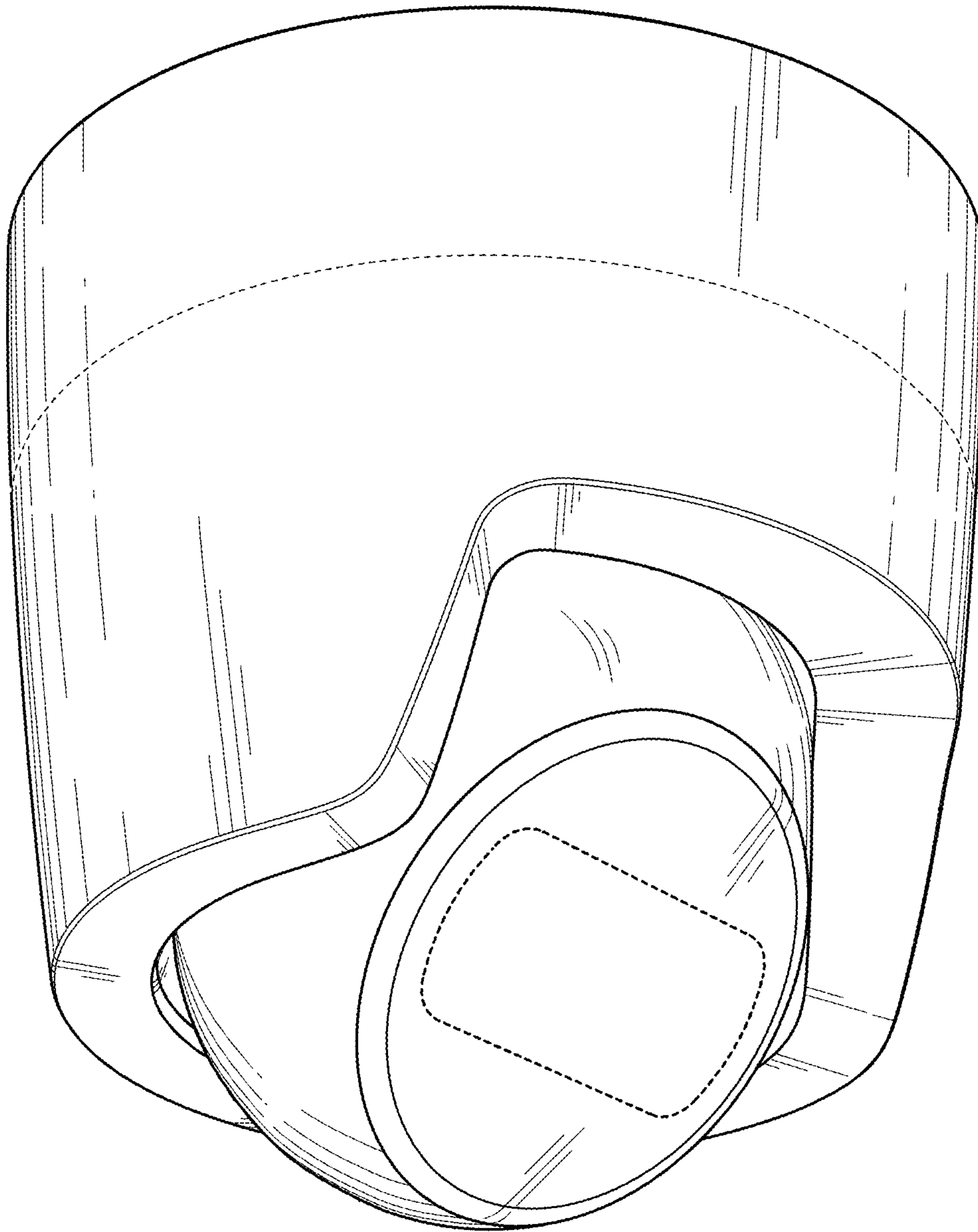


Figure 1

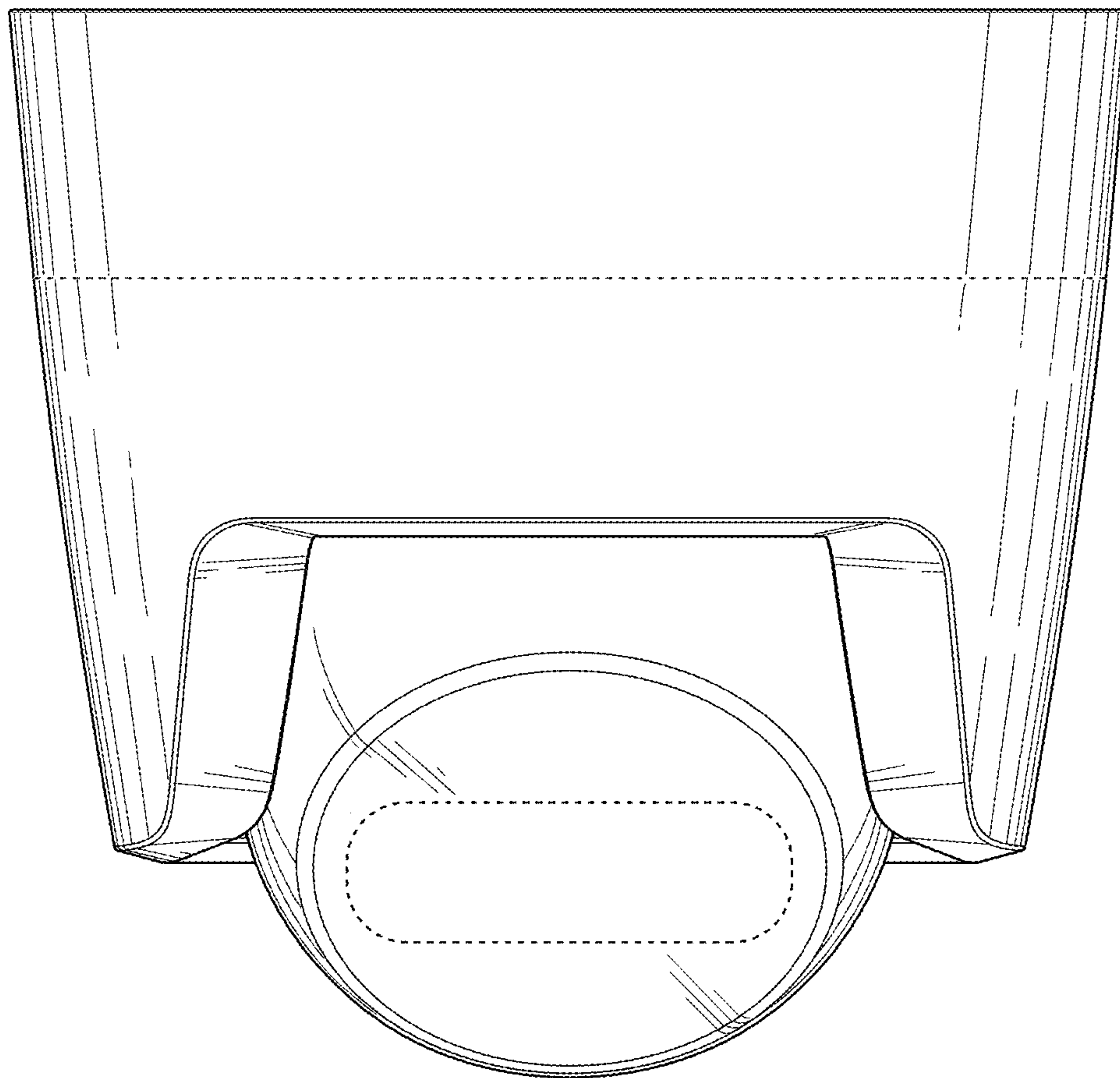


Figure 2

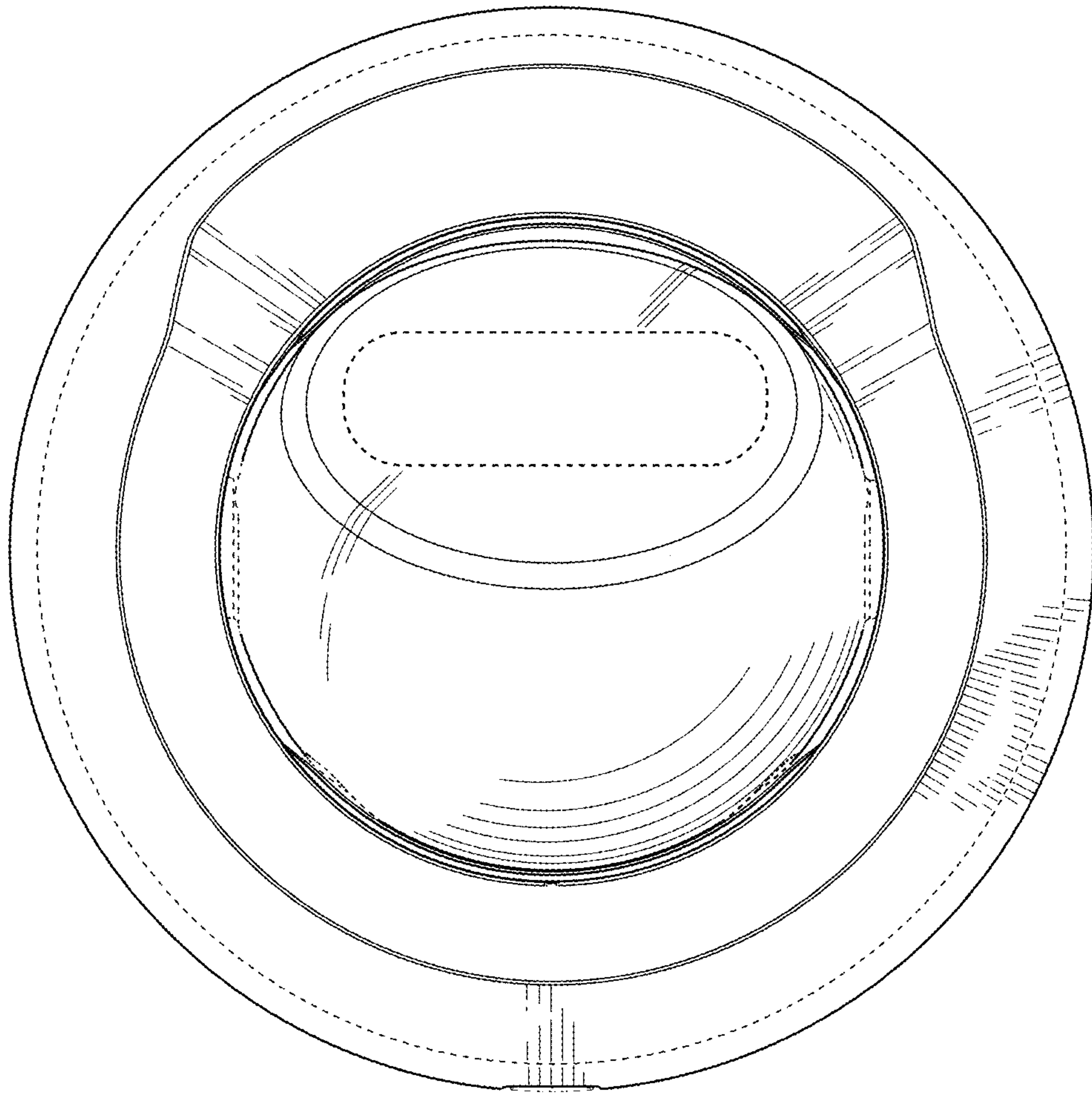


Figure 3

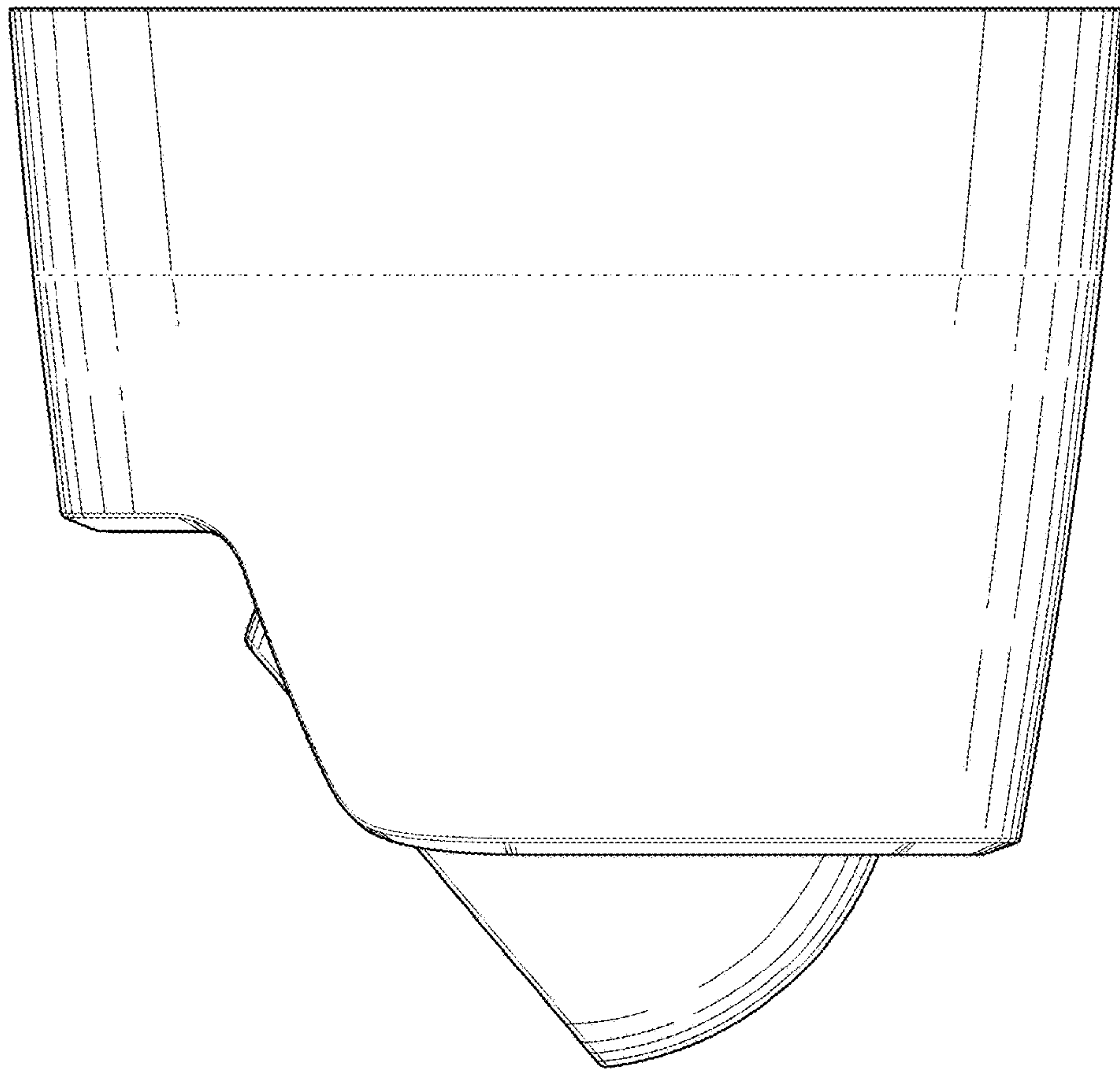


Figure 4

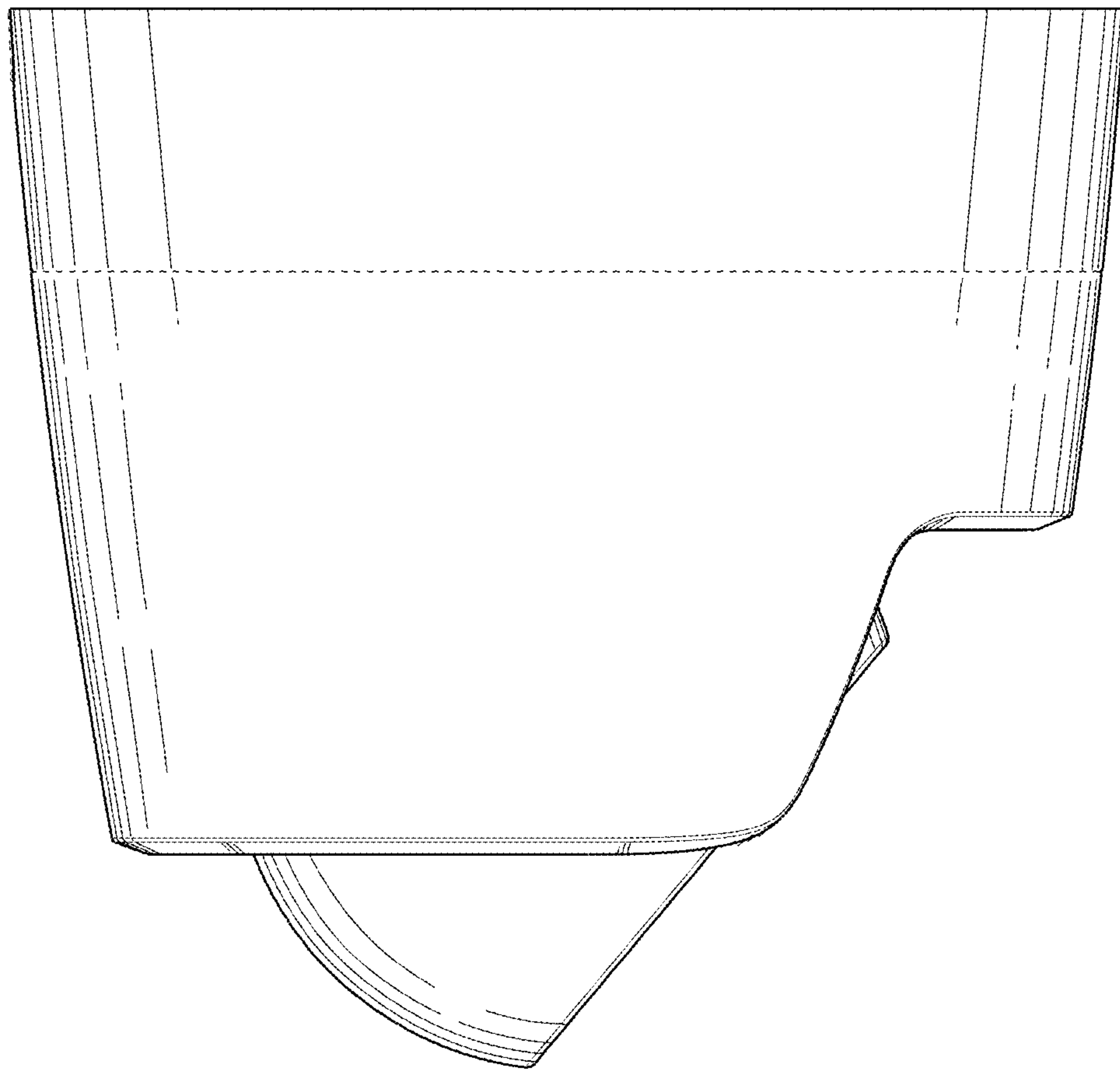


Figure 5

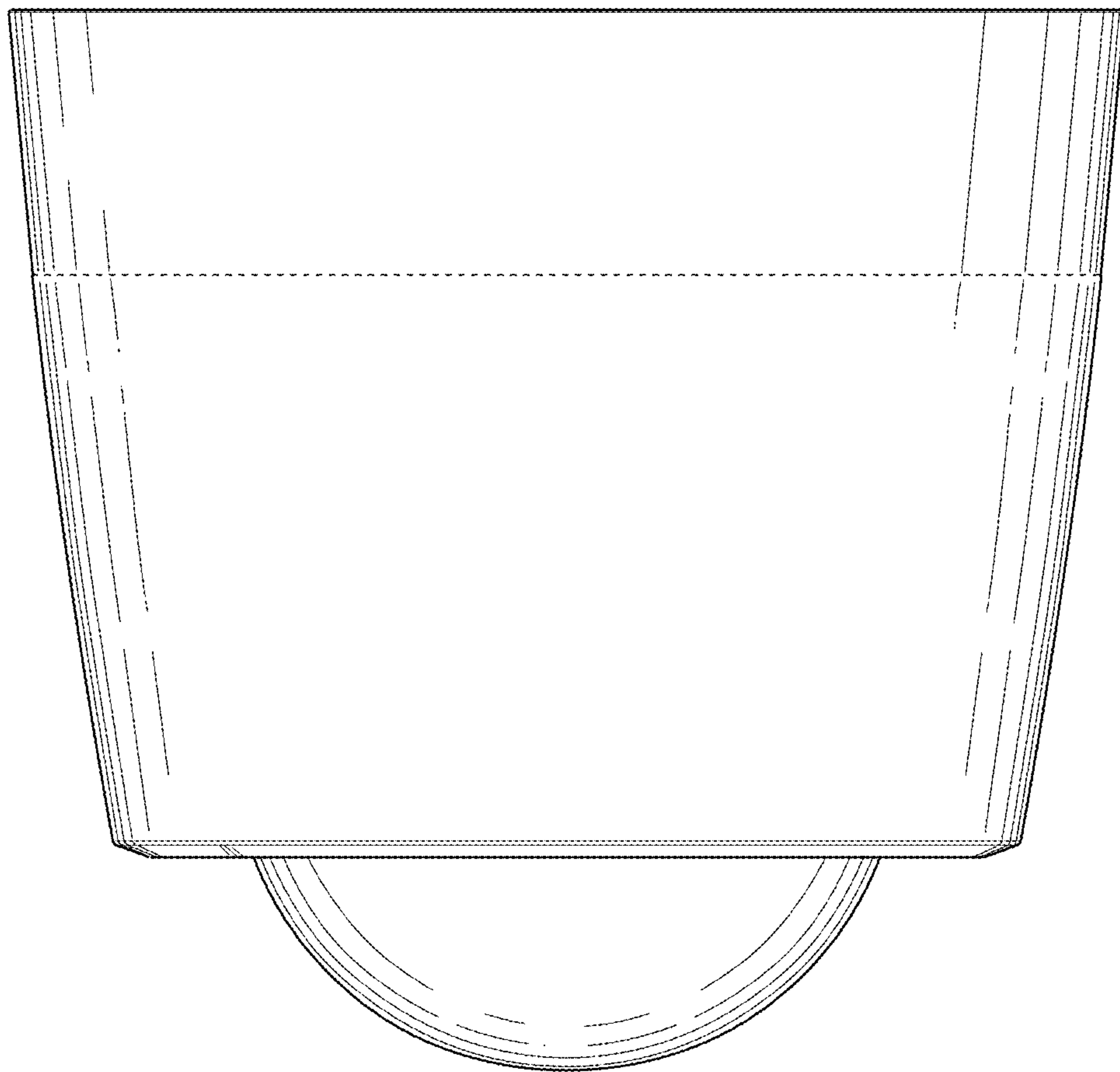


Figure 6

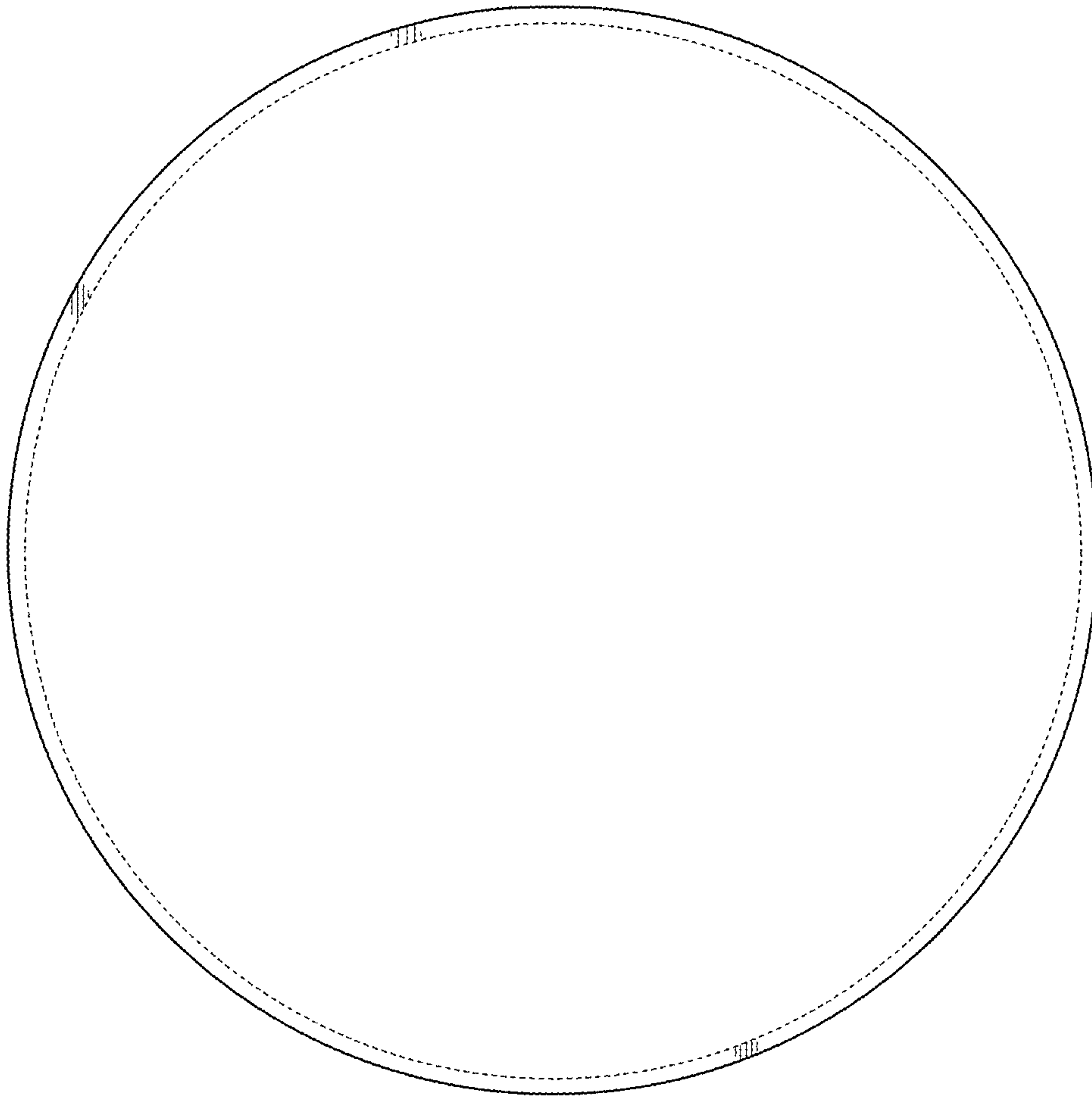


Figure 7