



US00D825639S

(12) **United States Design Patent**  
**Kan et al.**

(10) **Patent No.:** **US D825,639 S**

(45) **Date of Patent:** **\*\* Aug. 14, 2018**

(54) **SURFACE-MOUNTABLE HOUSING FOR A SECURITY CAMERA**

(71) Applicant: **Canary Connect, Inc.**, New York, NY (US)

(72) Inventors: **Kevin Kan**, Brooklyn, NY (US); **James C. Krause**, Astoria, NY (US)

(73) Assignee: **Canary Connect, Inc.**, New York, NY (US)

(\*\*) Term: **15 Years**

(21) Appl. No.: **29/597,488**

(22) Filed: **Mar. 17, 2017**

(51) **LOC (11) Cl.** ..... **16-01**

(52) **U.S. Cl.**  
USPC ..... **D16/203**

(58) **Field of Classification Search**  
USPC ..... D16/200, 202–206, 208, 218, 219, 242;  
348/347, 373–376; 396/535, 539–541;  
250/330, 332  
CPC ..... G03B 15/03; G03B 17/02; G03B 17/04;  
G03B 17/56; G03B 19/04; H04N 5/2251;  
H04N 5/2252; H04N 5/2253; H04N  
5/2254; H04N 2101/00; H04N 5/33;  
H04N 5/332

See application file for complete search history.

(56) **References Cited**

**U.S. PATENT DOCUMENTS**

D469,793 S *	2/2003	Onoda	.....	D16/202
D480,741 S *	10/2003	Berger	.....	D16/202
D534,938 S *	1/2007	Beasley	.....	D14/130
D540,359 S *	4/2007	Renkis	.....	D16/203
D730,421 S *	5/2015	Huang	.....	D16/202
D733,207 S *	6/2015	Thomas	.....	D16/203
D736,292 S *	8/2015	Fengmin	.....	D16/203

D741,932 S *	10/2015	Huang	.....	D16/202
D747,383 S *	1/2016	Li	.....	D16/203
D754,234 S *	4/2016	Lee	.....	D16/218
D764,559 S *	8/2016	Luo	.....	D16/202
D777,234 S *	1/2017	Webb	.....	D16/202
2014/0160349 A1 *	6/2014	Huang	.....	H04N 5/2251 348/375

\* cited by examiner

*Primary Examiner* — Philip S Hyder

*Assistant Examiner* — Ramzi S Almatrahi

(74) *Attorney, Agent, or Firm* — Sheehan Phinney Bass & Green PA

(57) **CLAIM**

What is claimed is the ornamental design(s) for a surface-mountable housing for a security camera, as shown and described.

**DESCRIPTION**

FIG. 1 is a front and left side perspective view of a first embodiment of a surface-mountable housing for a security camera;

FIG. 2 is a front and left side perspective view of a second embodiment of a surface-mountable housing for a security camera, shown in condition of use with a camera disclosed in broken lines inside the housing;

FIG. 3 is a front elevation view of the first embodiment of FIG. 1;

FIG. 4 is a top plan view thereof;

FIG. 5 is a right side elevation view thereof;

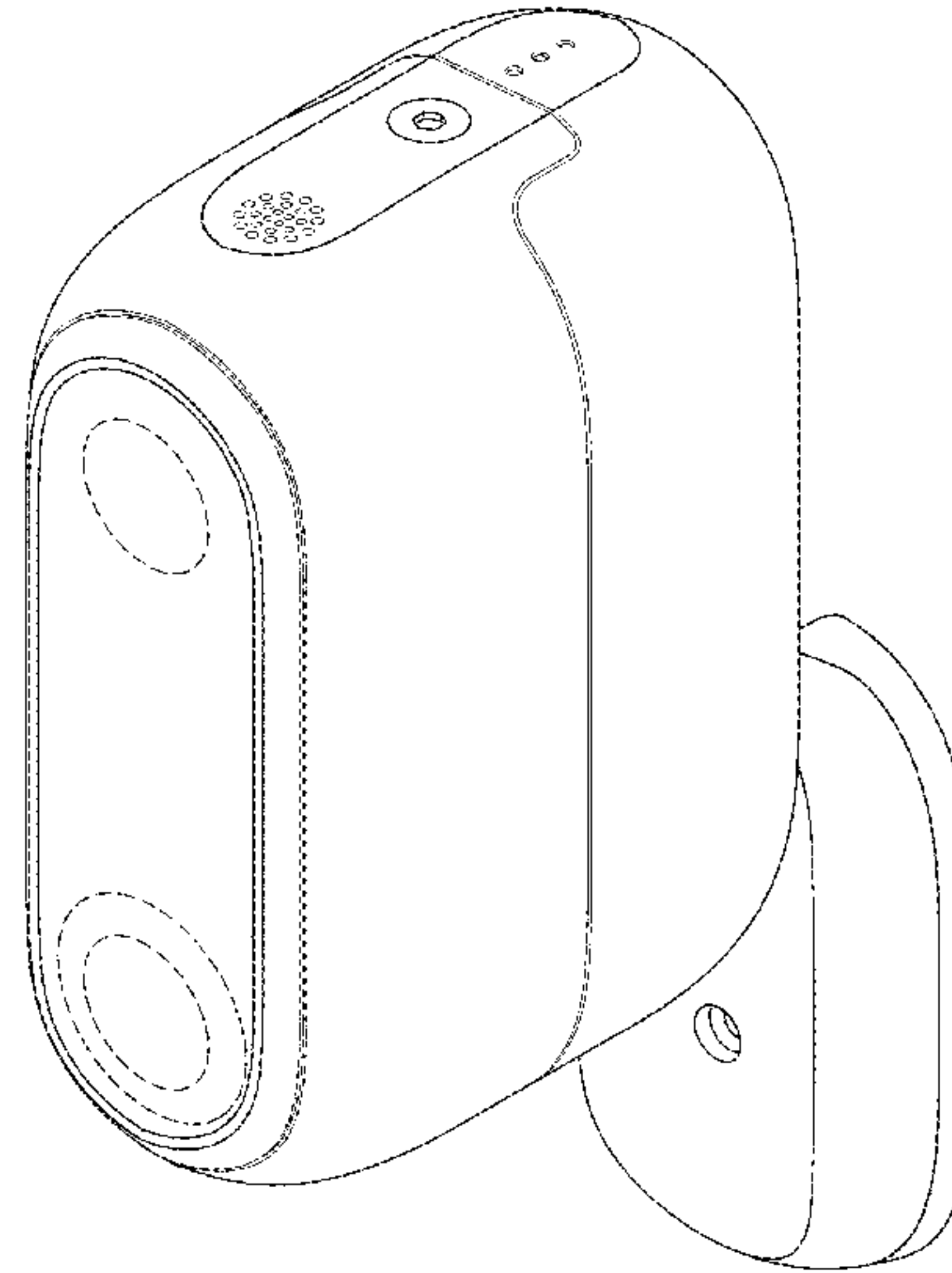
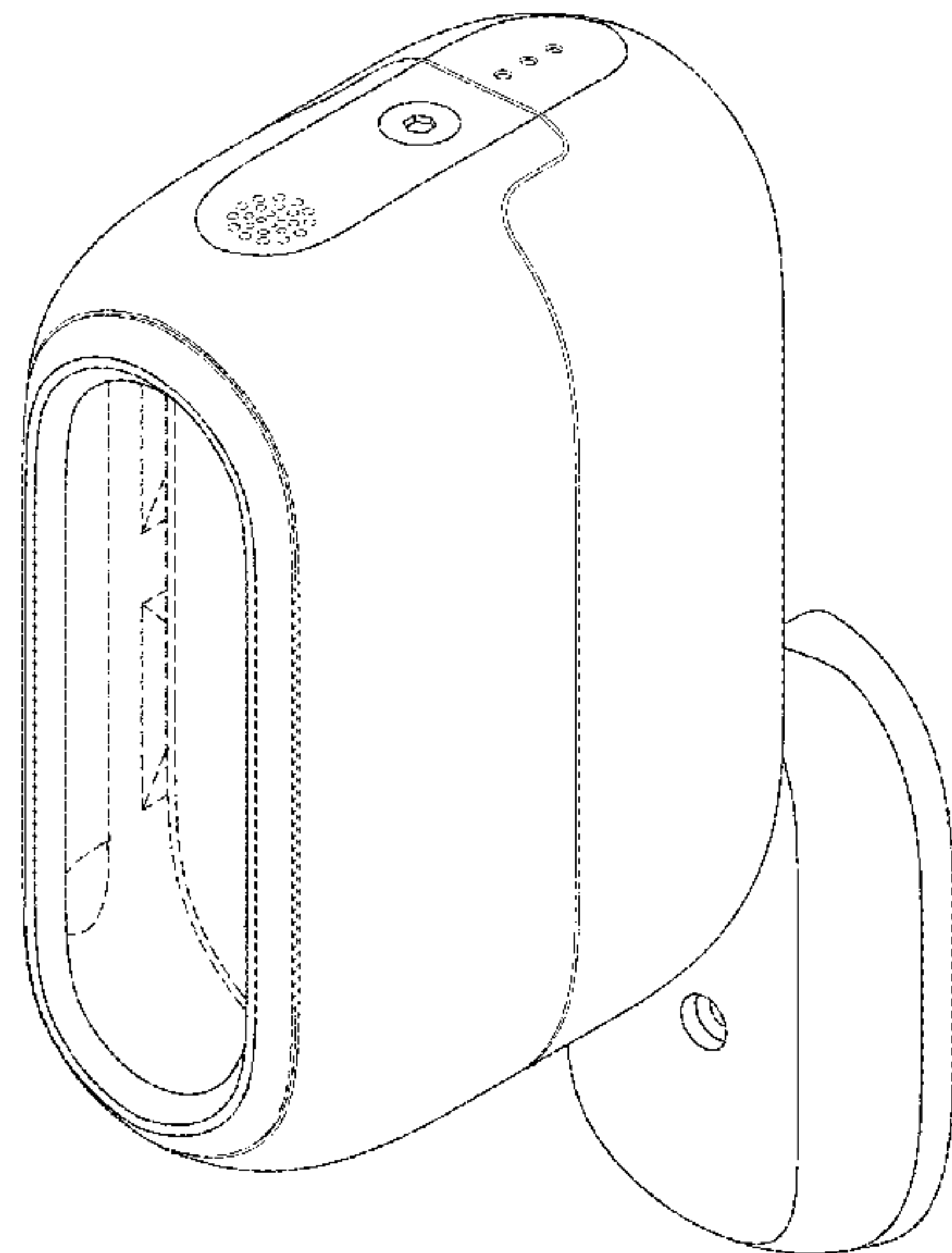
FIG. 6 is a left side elevation view thereof;

FIG. 7 is a rear elevation view thereof; and,

FIG. 8 is a bottom plan view thereof.

The broken lines depict portions of a surface-mountable housing for a security camera in which the design is embodied that form no part of the claimed design(s).

**1 Claim, 8 Drawing Sheets**



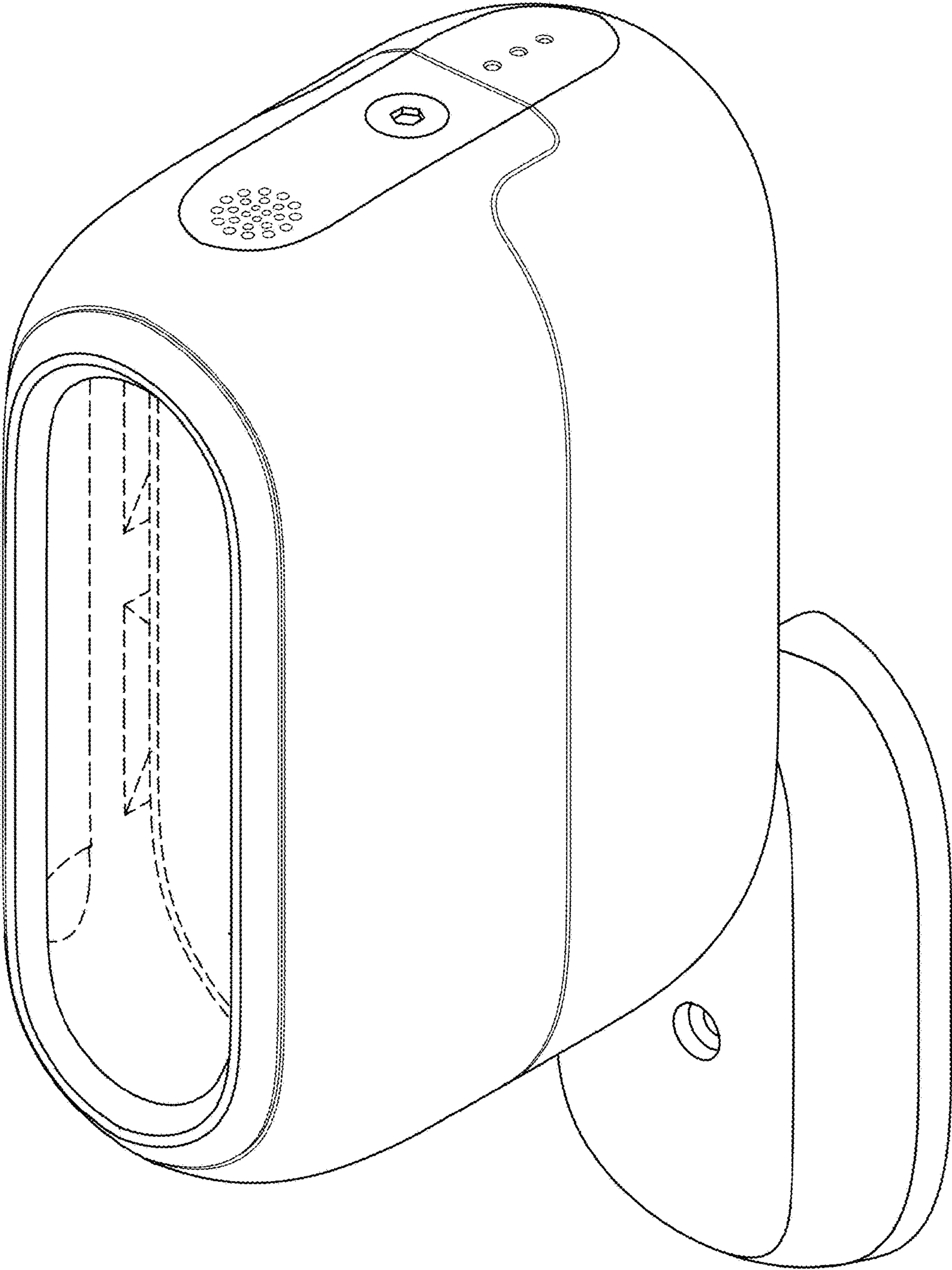


FIG. 1

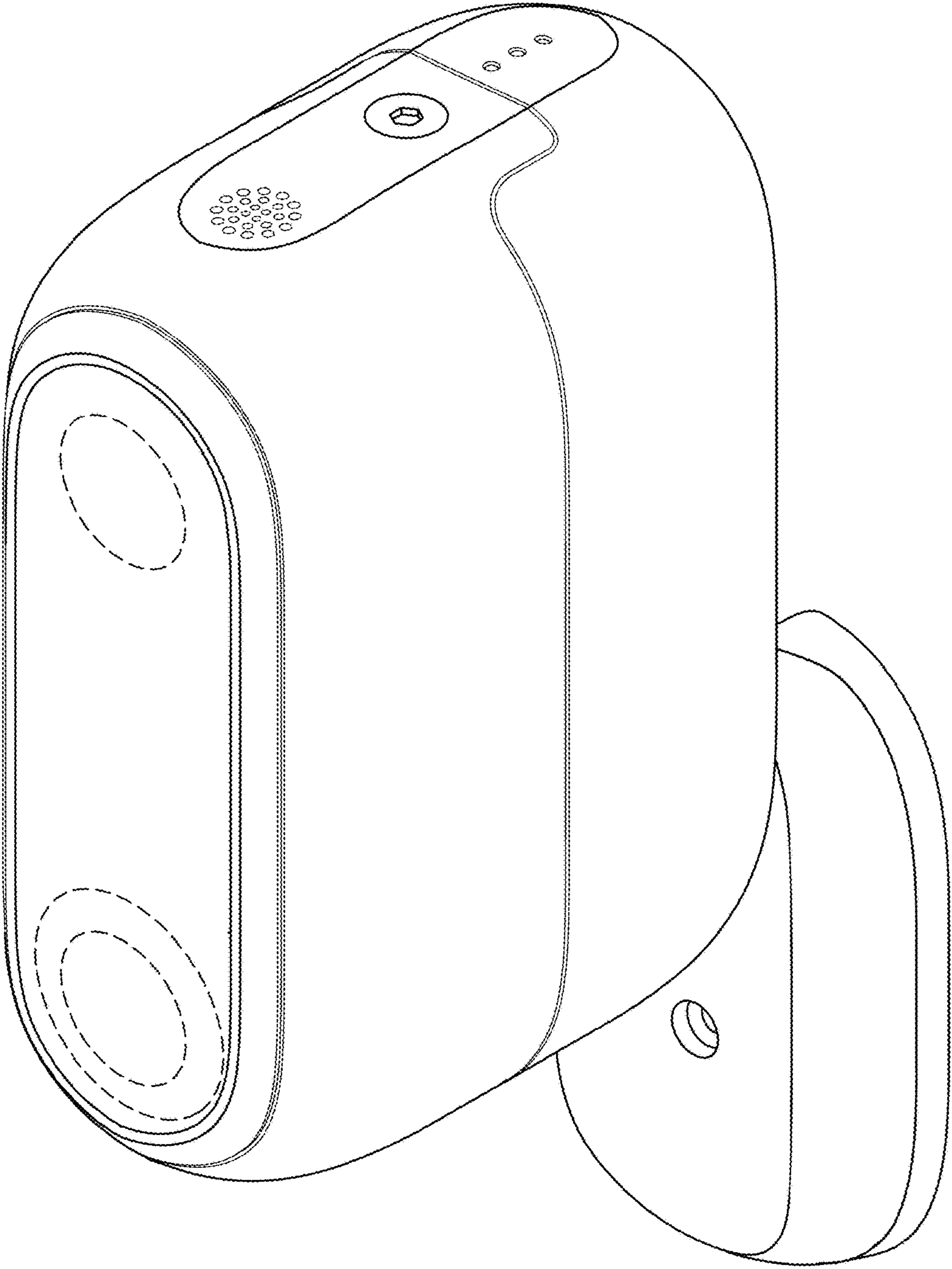


FIG.2

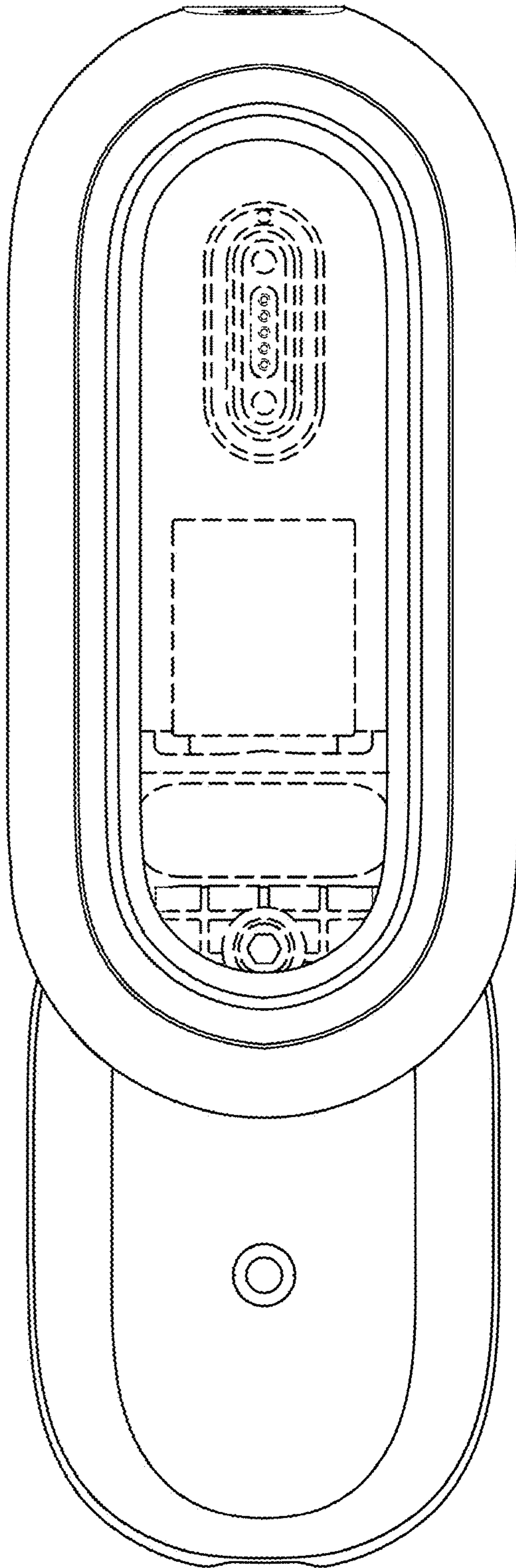


FIG.3



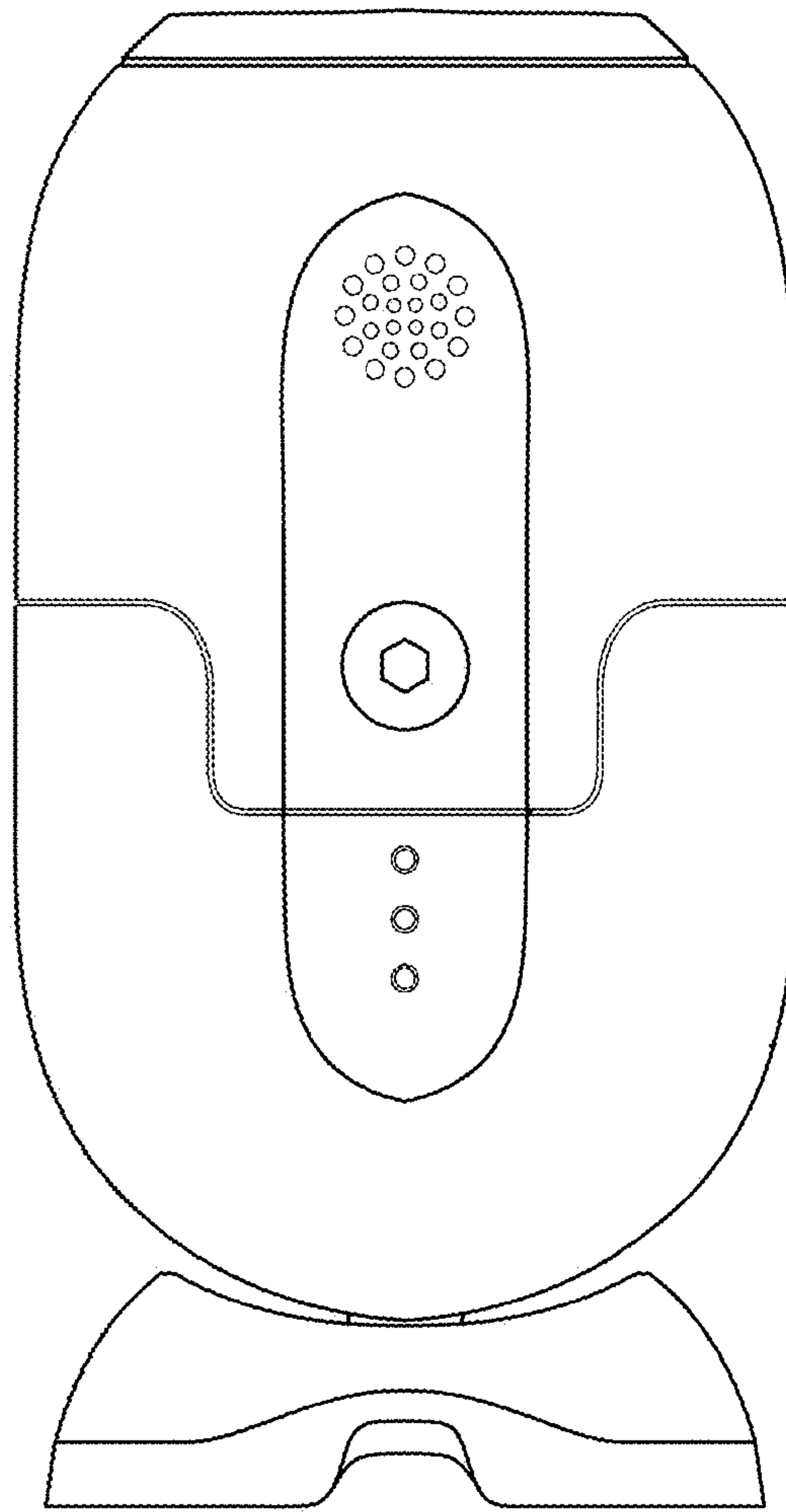


FIG. 4

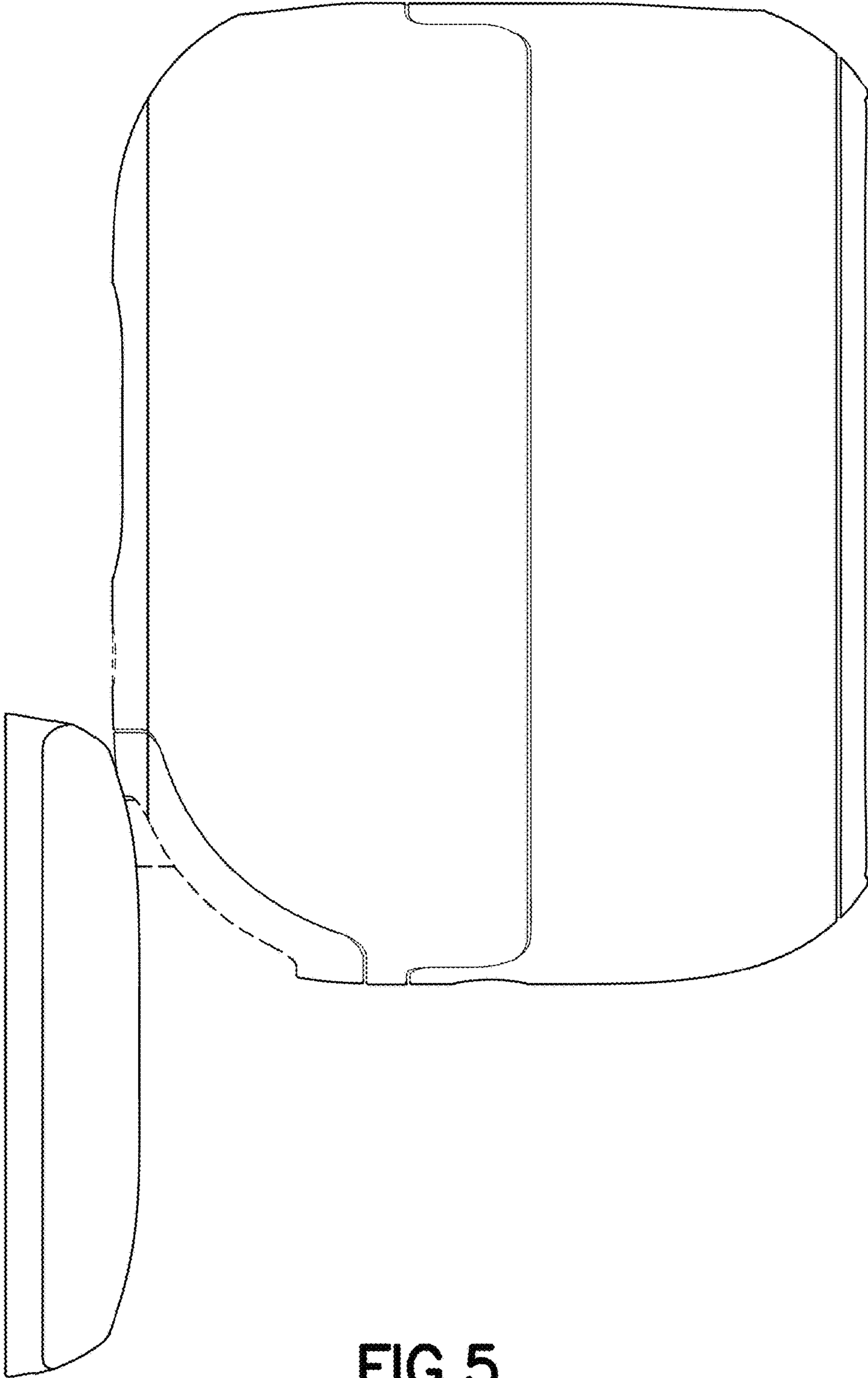


FIG.5

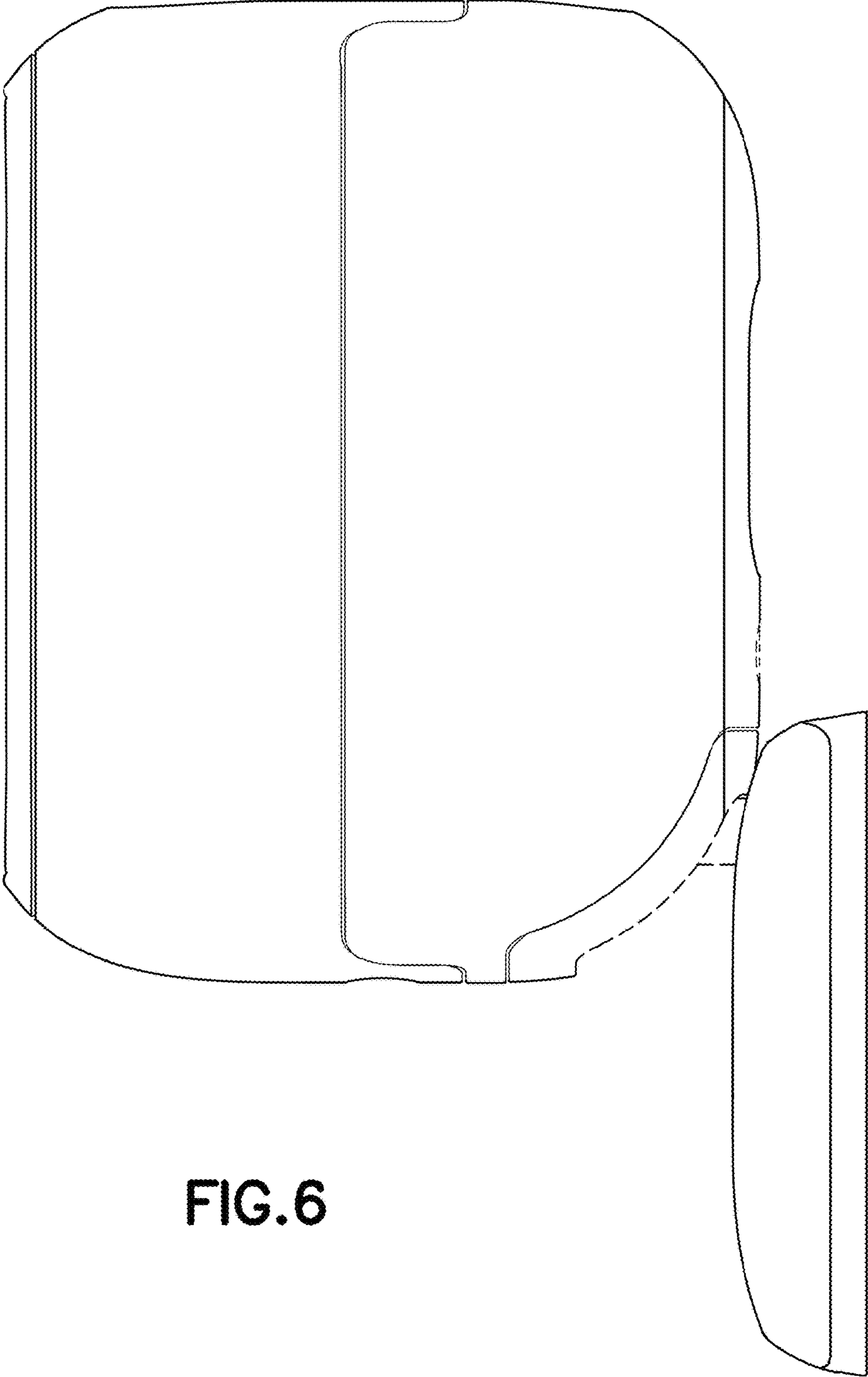


FIG. 6

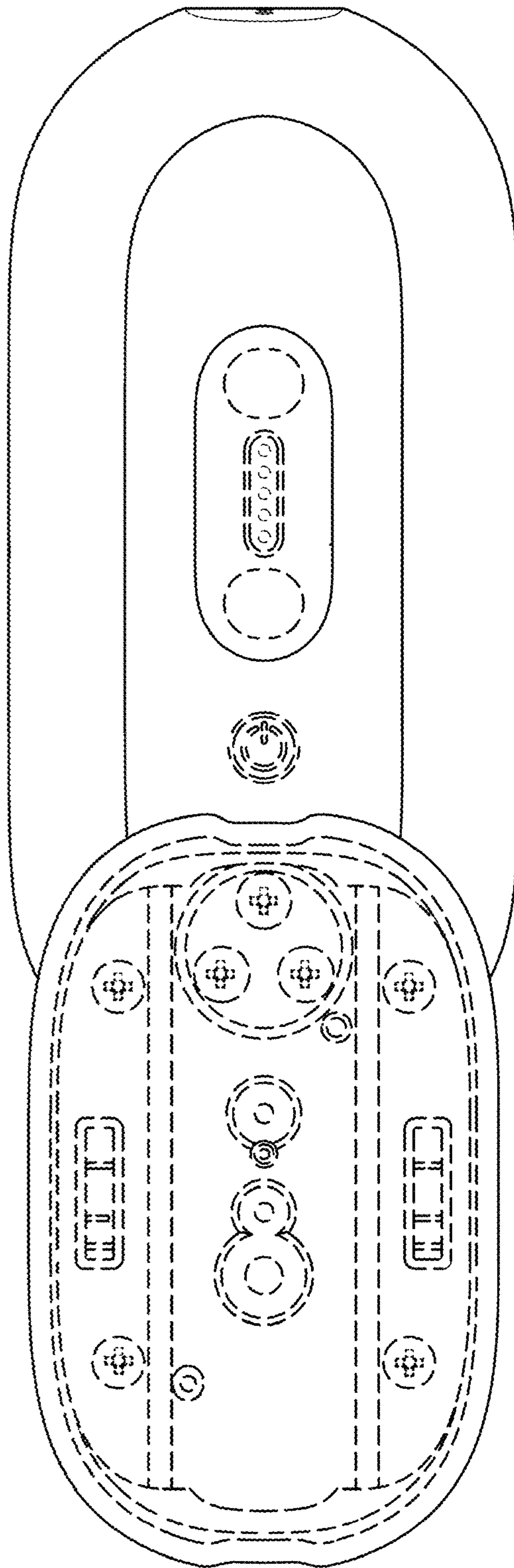


FIG.7



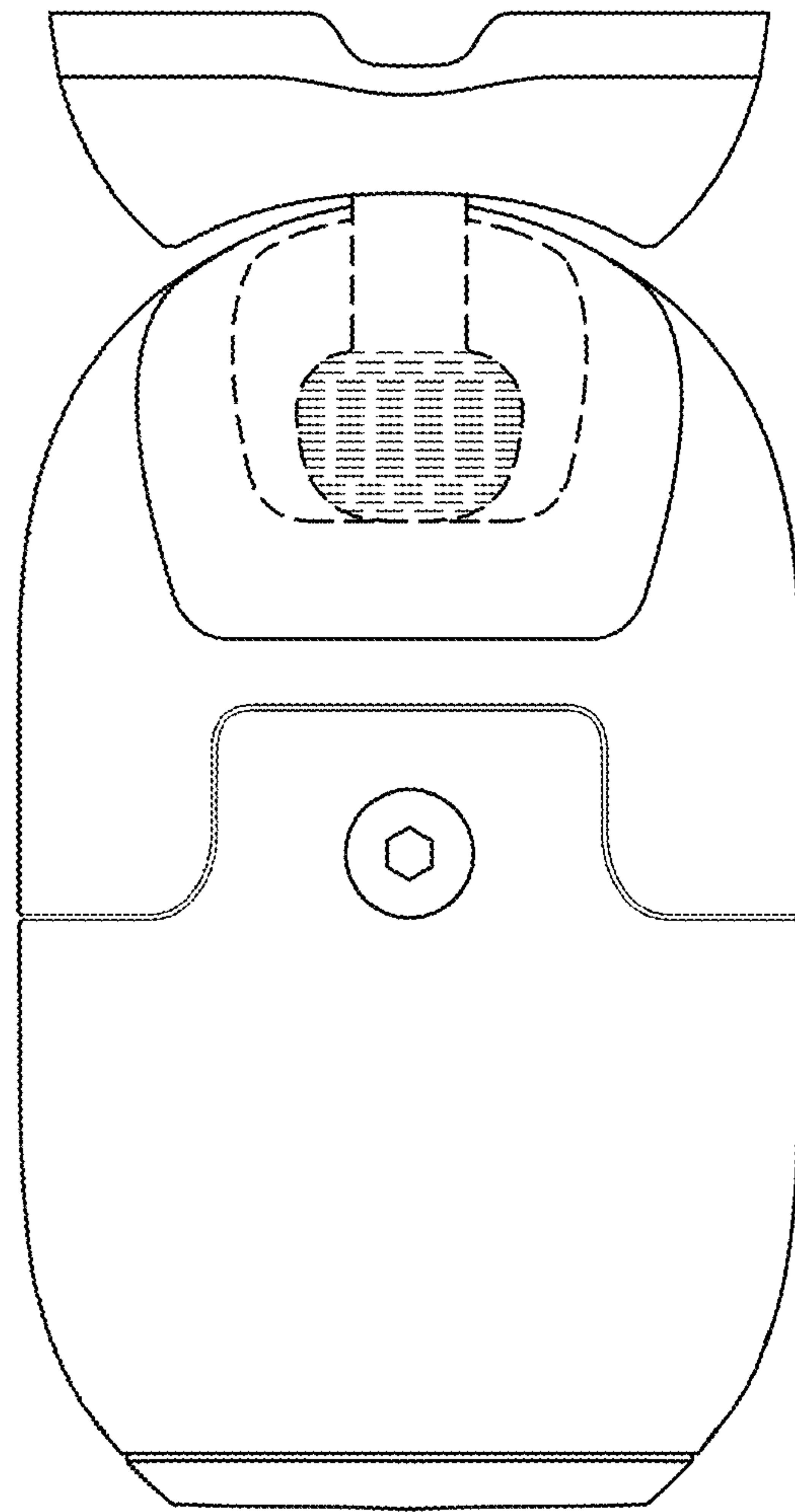


FIG. 8