



US00D825638S

(12) **United States Design Patent**
Holbrook

(10) **Patent No.:** **US D825,638 S**

(45) **Date of Patent:** **** Aug. 14, 2018**

(54) **DOME CAMERA WITH PENDANT ADAPTER**

(71) Applicant: **Avigilon Corporation**, Vancouver (CA)

(72) Inventor: **Thomas Holbrook**, Vancouver (CA)

(73) Assignee: **Avigilon Corporation**, Vancouver (CA)

(**) Term: **15 Years**

(21) Appl. No.: **29/571,923**

(22) Filed: **Jul. 22, 2016**

(51) **LOC (11) Cl.** **16-01**

(52) **U.S. Cl.**
USPC **D16/203**

(58) **Field of Classification Search**
USPC D16/200, 202–206, 218, 219, 242;
348/143, 148, 151, 373–376; 396/419,
396/427, 535, 539–541; 248/176.1, 187.1
CPC G03B 17/02; G03B 19/04; G03B 17/56;
G03B 17/04; G03B 15/03; H04N 5/2251;
H04N 5/2252; H04N 5/2253; H04N
5/2254; H04N 7/181; H04N 7/183; H04N
7/18; G08B 13/1963; G08B 13/19619;
G08B 13/19632; F16M 11/04; F16M
13/00

See application file for complete search history.

(56) **References Cited**

U.S. PATENT DOCUMENTS

D424,087 S *	5/2000	Frick	396/427
D461,485 S *	8/2002	Jones	396/427
6,634,804 B1 *	10/2003	Toste	F16M 11/10 396/427
D486,173 S *	2/2004	Toste	D16/242
6,735,382 B2 *	5/2004	Schneider	G08B 13/19632 348/143
D503,183 S *	3/2005	Arbuckle	D16/203
7,306,383 B2 *	12/2007	Jones	G08B 13/19619 348/373
D563,451 S *	3/2008	Cheng	D16/203

D564,005 S *	3/2008	Cheng	D16/203
D651,068 S *	12/2011	Kang	D8/363
D666,236 S *	8/2012	Rix	D16/242
D701,258 S *	3/2014	Huang	D16/203
D734,379 S *	7/2015	Tankersley	D16/203
D742,447 S	11/2015	Stark et al.	

OTHER PUBLICATIONS

“Surveyor™ Camera Dome Accessories”; Data/Spec Sheet; Nov. 2011; 6 pages.

“True Day/Night Indoor/Outdoor Network PTZ Cameras”; Honeywell; Aug. 2014; 16 pages.

“Spectra® Enhanced Series IP Dome System”; Product Specification; Camera Solutions; May 19, 2015; 6 pages.

* cited by examiner

Primary Examiner — Philip S Hyder

Assistant Examiner — Ramzi Almatrahi

(74) *Attorney, Agent, or Firm* — Daniel Hammond

(57) **CLAIM**

The ornamental design for a dome camera with pendant adapter, as shown and described.

DESCRIPTION

FIG. 1 is a top and left side perspective view of a dome camera with pendant adapter;

FIG. 2 is a front elevation view thereof;

FIG. 3 is a back elevation view thereof;

FIG. 4 is a left side elevation view thereof;

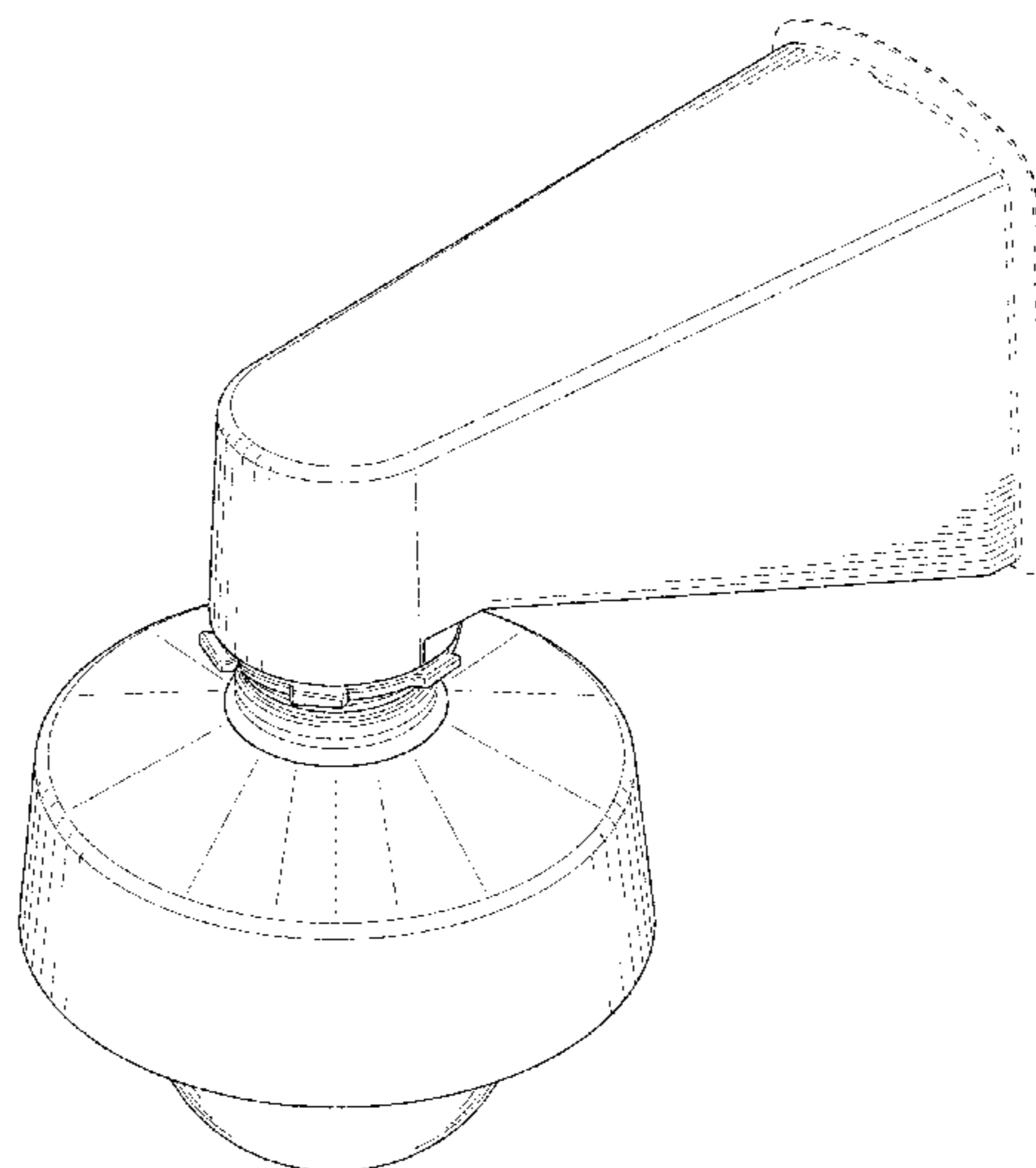
FIG. 5 is a right side elevation view thereof;

FIG. 6 is a top plan view thereof; and,

FIG. 7 is a bottom plan view thereof.

The broken lines depict portions of the dome camera with pendant adapter in which the design is embodied that form no part of the claimed design.

1 Claim, 7 Drawing Sheets



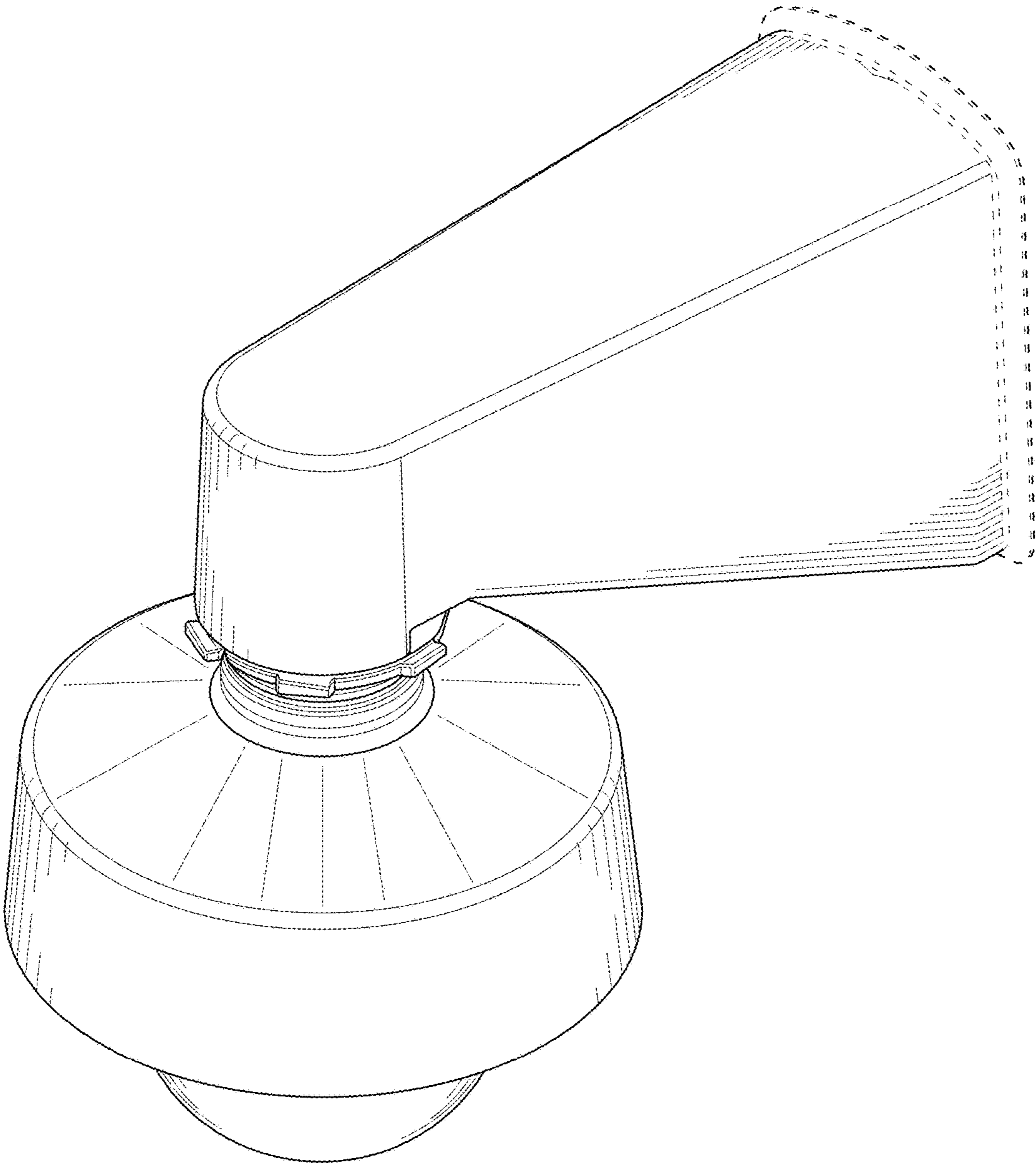


Fig. 1

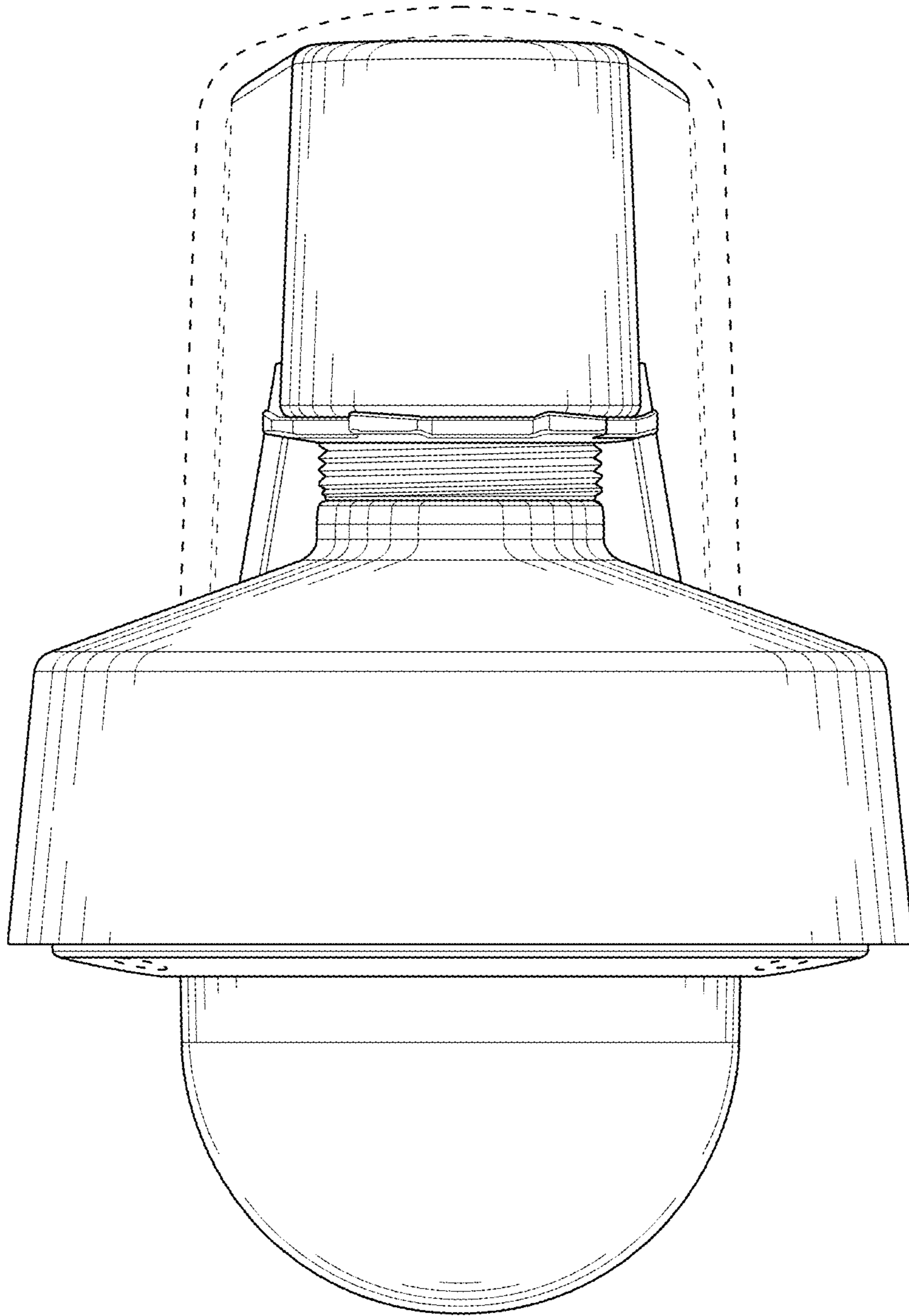


Fig. 2

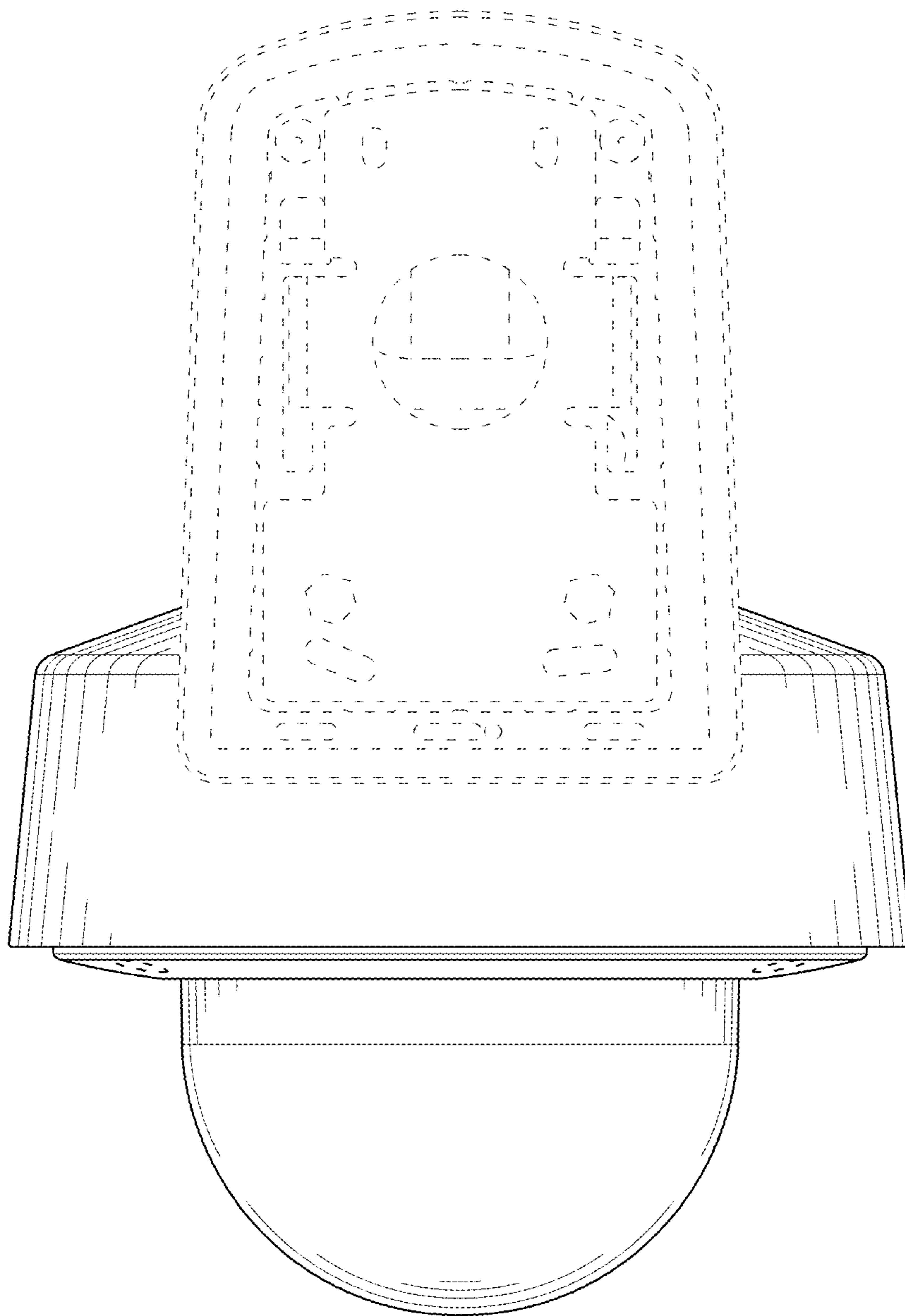


Fig. 3

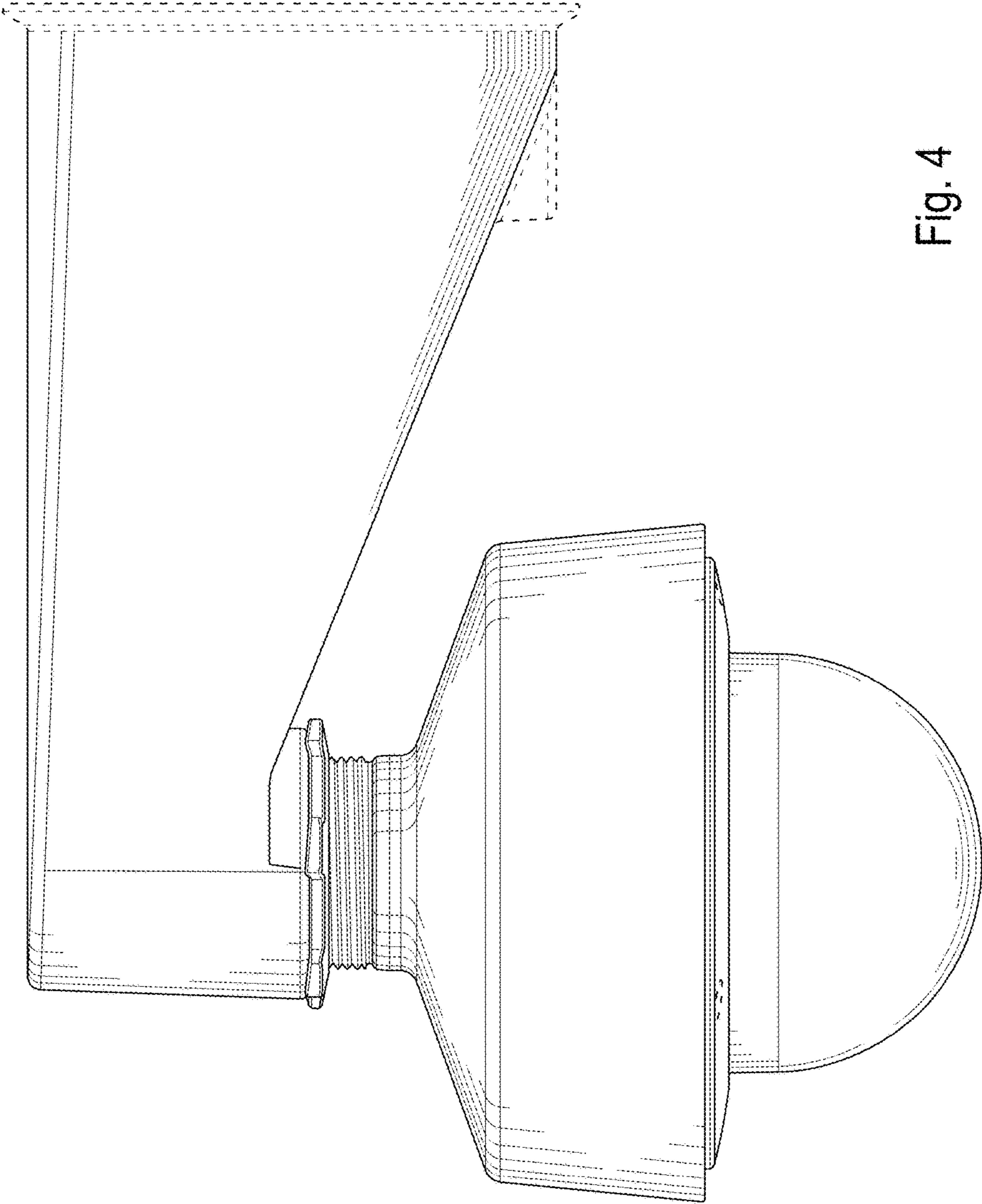
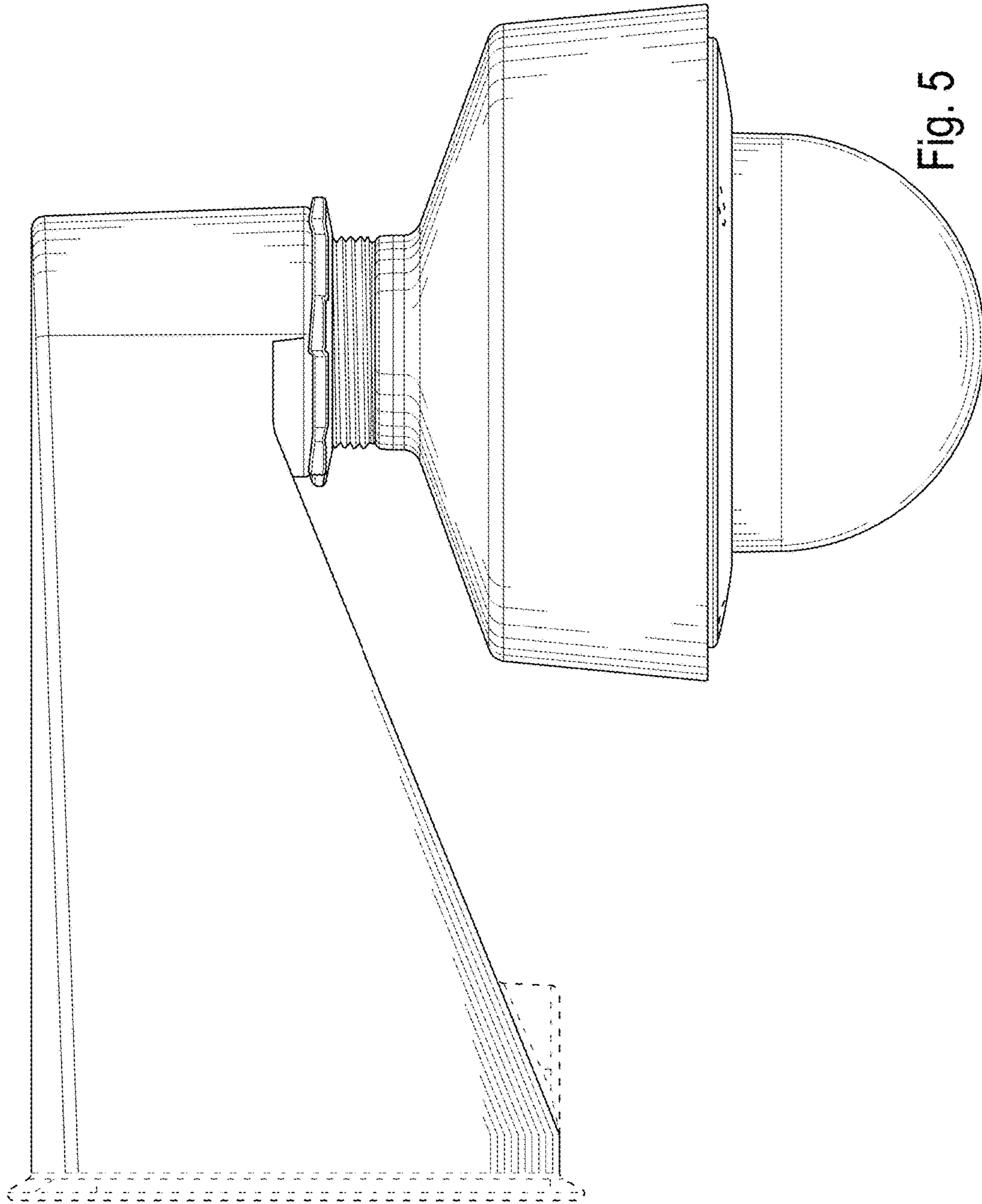


Fig. 4



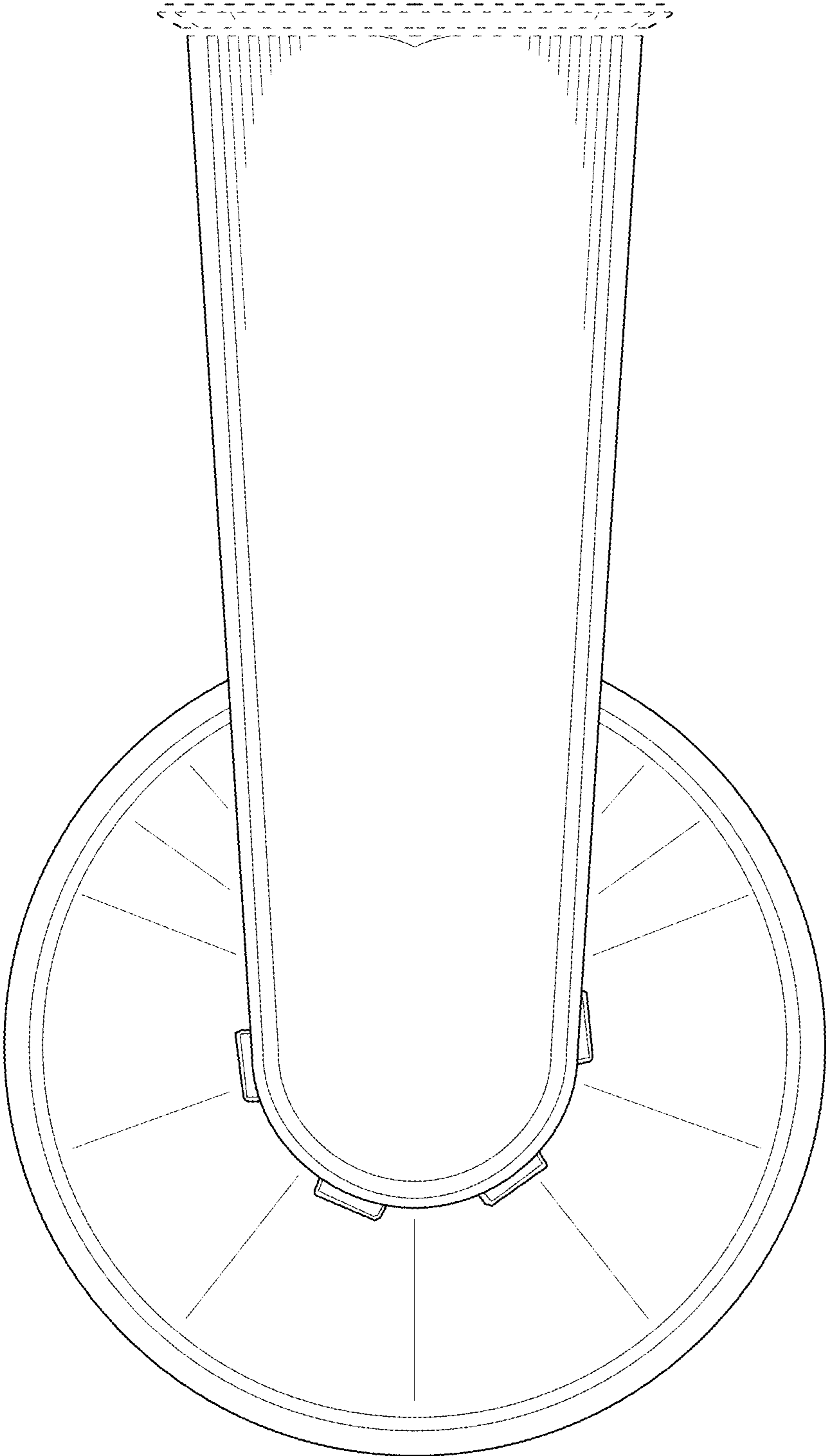


Fig. 6

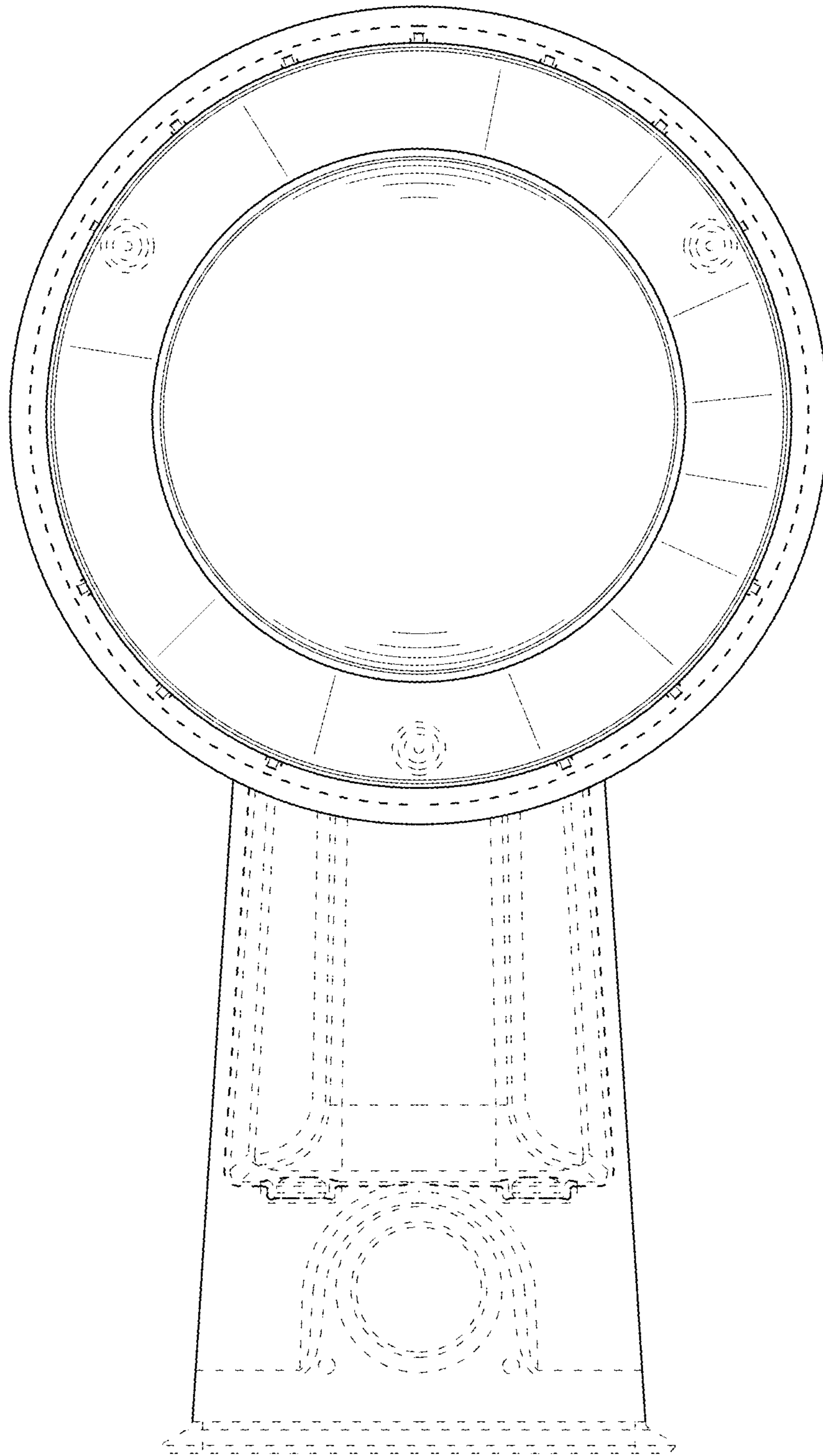


Fig. 7