



US00D825637S

(12) **United States Design Patent** (10) **Patent No.:** **US D825,637 S**
Moon et al. (45) **Date of Patent:** **** Aug. 14, 2018**

(54) **SURVEILLANCE CAMERA**

H04N 7/142; H04N 7/147; H04N 7/148;
H04N 7/15; H04N 7/152

(71) Applicant: **Hanwha Techwin Co., Ltd.**,
Gyeongsangnam-do (KR)

See application file for complete search history.

(72) Inventors: **Mi-Jung Moon**, Changwon-si (KR);
Hyun-Kyu Park, Changwon-si (KR);
Ho Jin Park, Changwon-si (KR)

(56) **References Cited**

U.S. PATENT DOCUMENTS

(73) Assignee: **Hanwha Techwin Co., Ltd.**,
Changwon-si (KR)

D396,869 S 8/1998 Yamakawa et al.
D505,146 S 5/2005 Ou
D575,316 S 8/2008 Liu et al.
D593,566 S * 6/2009 Richter D14/253
7,690,851 B2 4/2010 Yamane et al.
D624,108 S 9/2010 Wang et al.
D627,815 S 11/2010 Oba

(**) Term: **15 Years**

(Continued)

(21) Appl. No.: **29/540,431**

FOREIGN PATENT DOCUMENTS

(22) Filed: **Sep. 24, 2015**

JP D1240903 S 5/2005
KR 30-0252326 S 2/2000
KR 30-0615444 S 10/2011

Related U.S. Application Data

(63) Continuation of application No. 29/484,434, filed on
Mar. 10, 2014, now Pat. No. Des. 740,871.

Primary Examiner — Philip S Hyder
Assistant Examiner — Ramzi Almatrahi

(74) *Attorney, Agent, or Firm* — Sughrue Mion, PLLC

(30) **Foreign Application Priority Data**

Oct. 16, 2013 (KR) 30-2013-0052280

(57) **CLAIM**

(51) **LOC (11) Cl.** **16-01**

The ornamental design for a surveillance camera, as shown
and described.

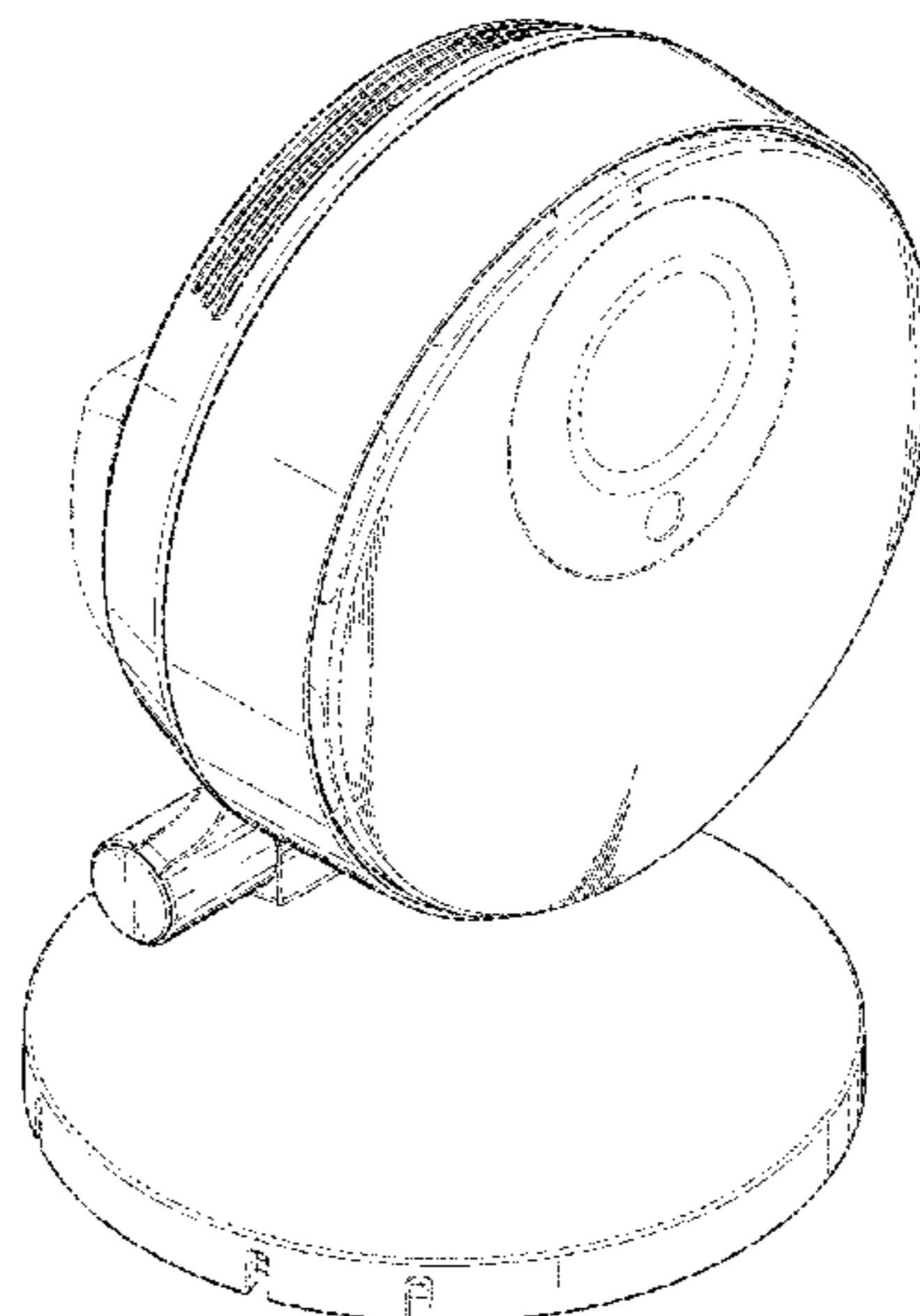
(52) **U.S. Cl.**
USPC **D16/203**

DESCRIPTION

(58) **Field of Classification Search**
USPC D16/200, 202–205, 208, 211, 214, 218,
D16/219, 221, 242; D14/447;
348/14.01–14.06, 143, 148, 373–376;
396/419, 427, 535, 539–541
CPC G03B 17/02; G03B 19/04; G03B 17/56;
G03B 17/04; G03B 15/03; H04N 5/2251;
H04N 5/2252; H04N 5/2253; H04N
5/2254; H04N 2007/145; H04N 7/141;

FIG. 1 is a front perspective view of a surveillance camera
showing our new design;
FIG. 2 is a front elevational view of the surveillance camera;
FIG. 3 is a rear elevational view of the surveillance camera;
FIG. 4 is a left side elevational view of the surveillance
camera;
FIG. 5 is a right side elevational view of the surveillance
camera;
FIG. 6 is a top plan view of the surveillance camera; and,
FIG. 7 is a bottom view of the surveillance camera.

(Continued)



The broken lines depict no portions of the surveillance camera in which the design is embodied that from no part of the claimed design.

1 Claim, 7 Drawing Sheets

(56) **References Cited**

U.S. PATENT DOCUMENTS

D649,573 S	11/2011	Al	
D651,633 S	1/2012	Park et al.	
D678,929 S *	3/2013	Hancock	D16/202
D680,151 S	4/2013	Katori	
D697,119 S	1/2014	Park et al.	
D729,296 S *	5/2015	Shelton	D16/202
D733,781 S *	7/2015	Chen	D16/202
D748,709 S *	2/2016	Jeong	D16/202
D754,233 S *	4/2016	Du	D16/211
D757,835 S *	5/2016	Tabuchi	D16/203
D785,693 S *	5/2017	Kim	D16/202
D804,561 S *	12/2017	Luo	D16/202

* cited by examiner

FIG. 1

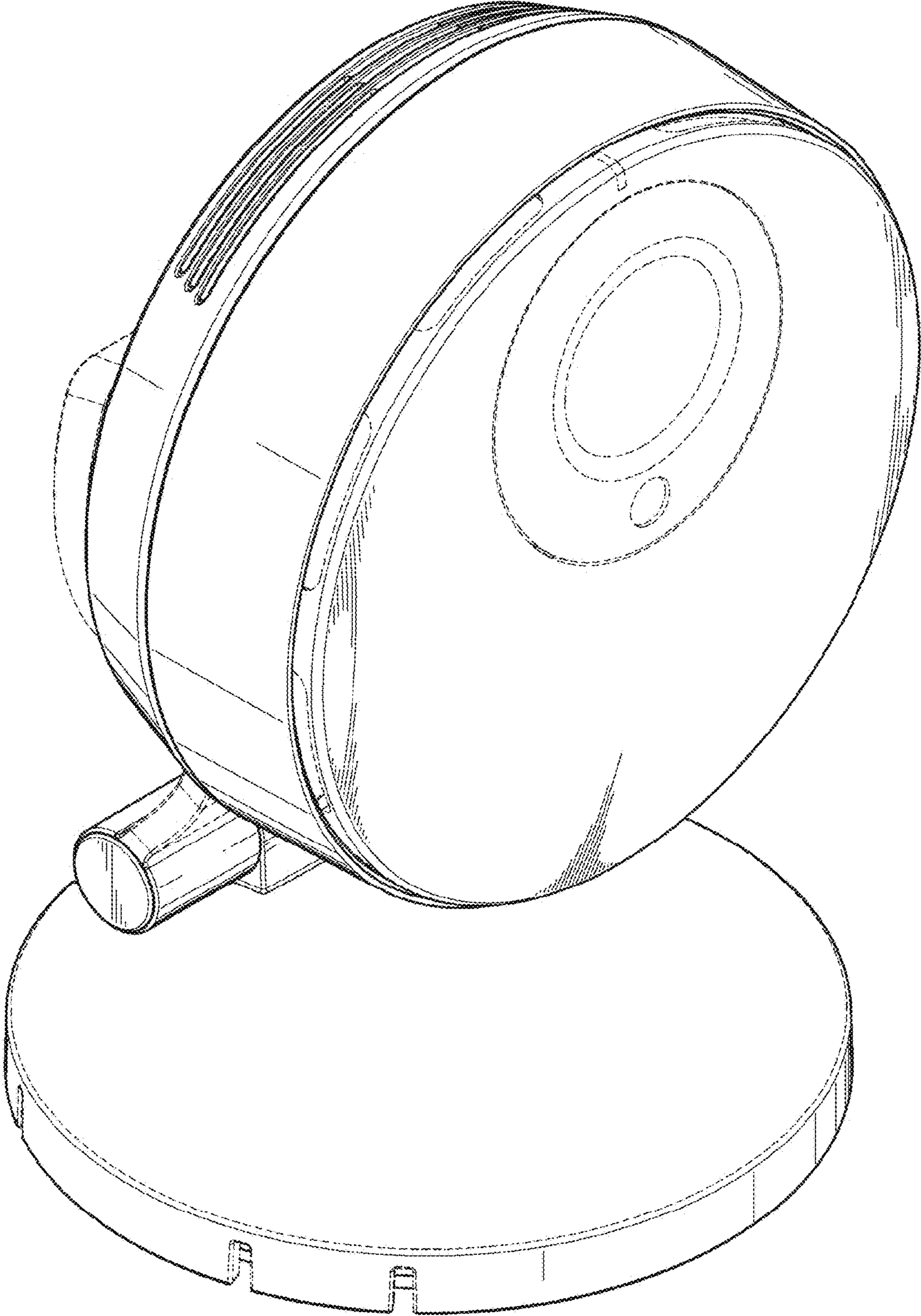


FIG. 2

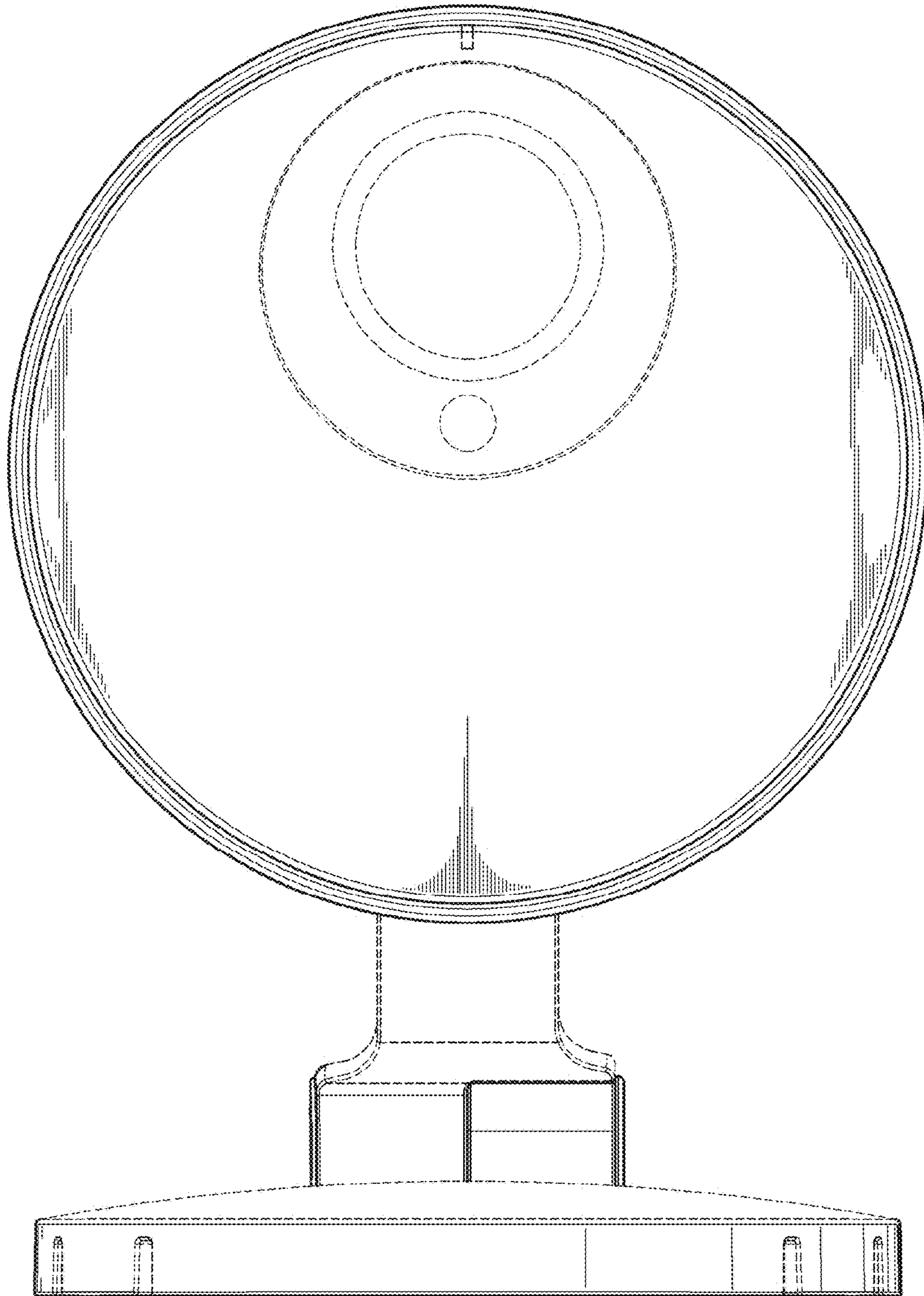


FIG. 3

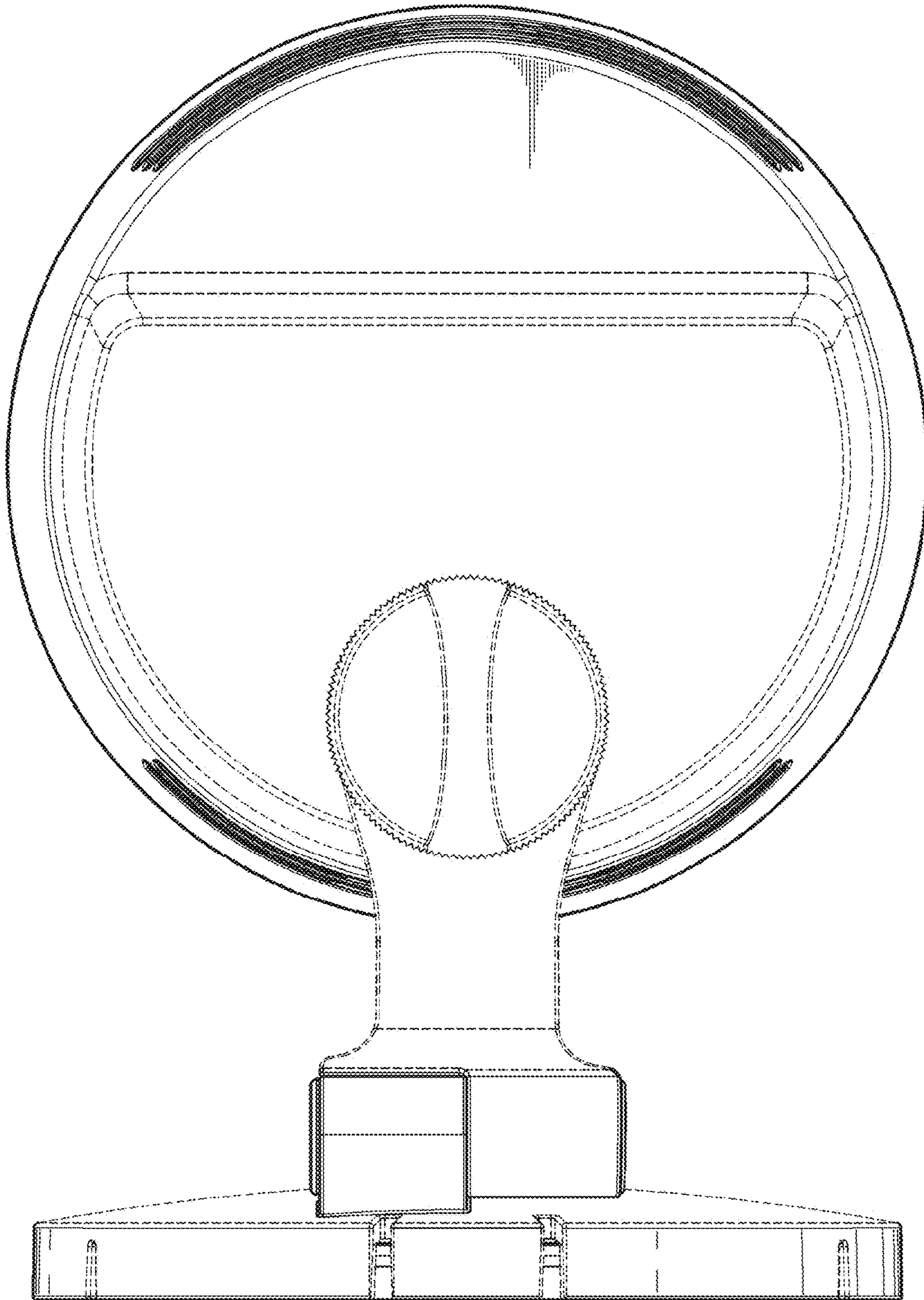


FIG. 4

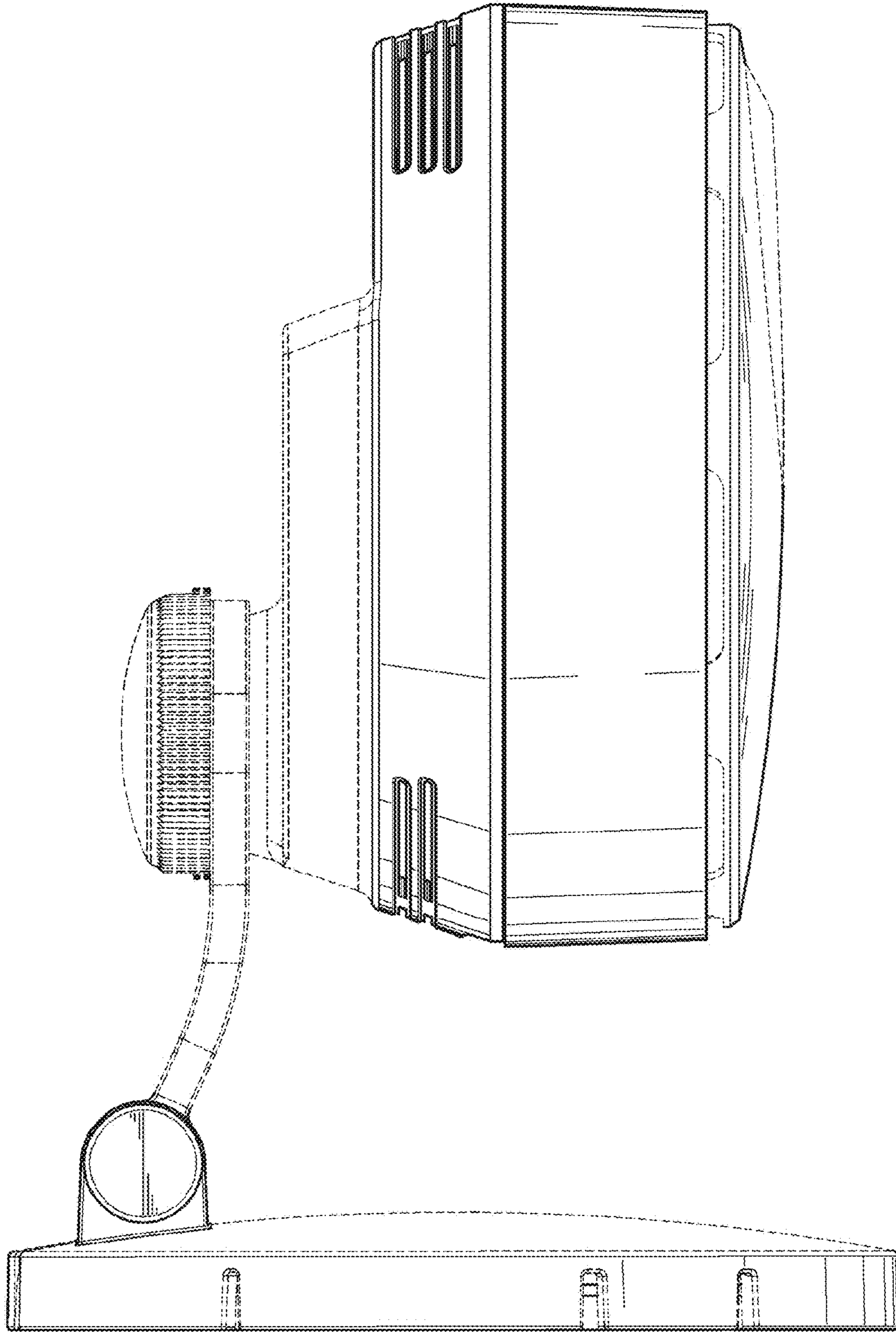


FIG. 5

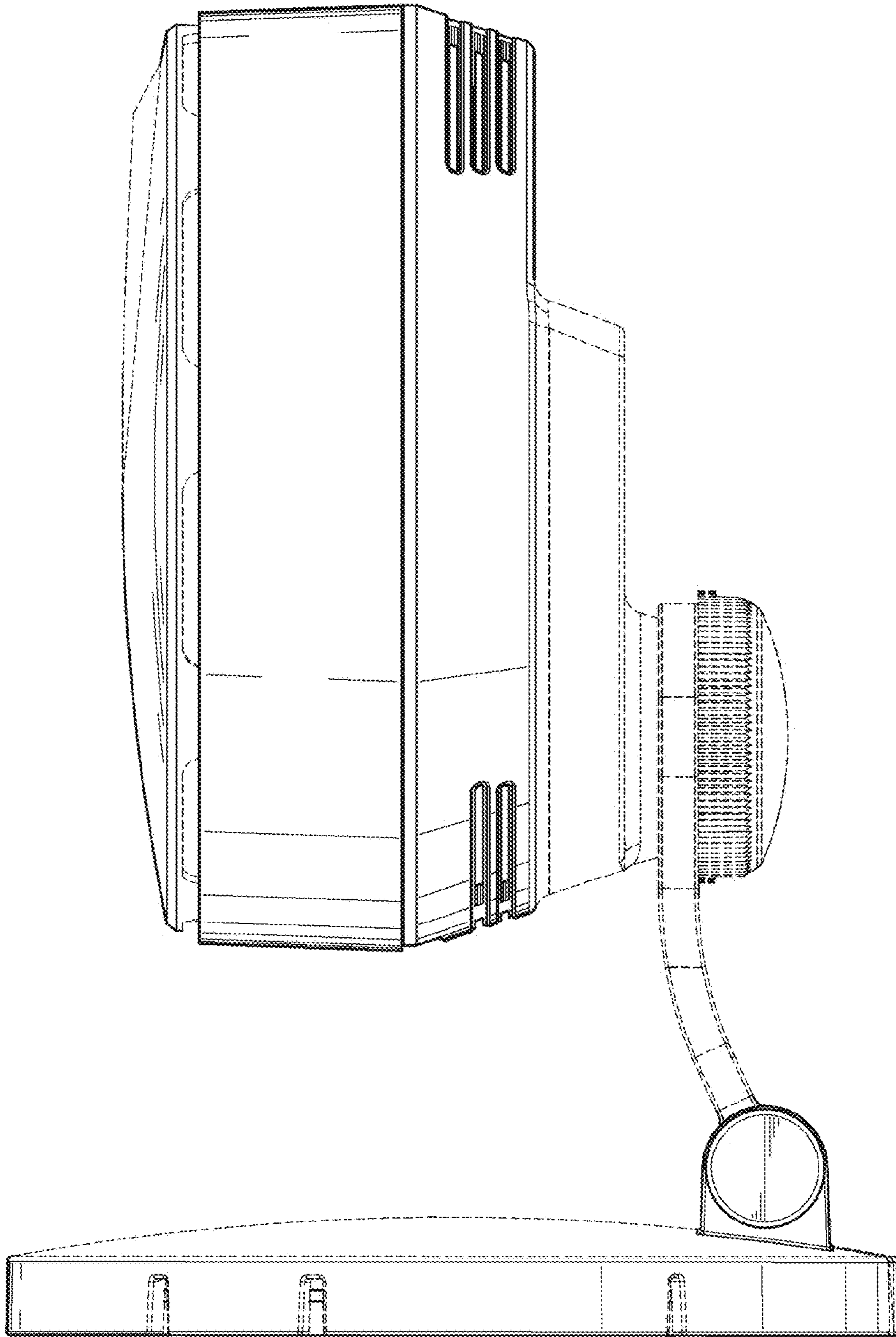


FIG. 6

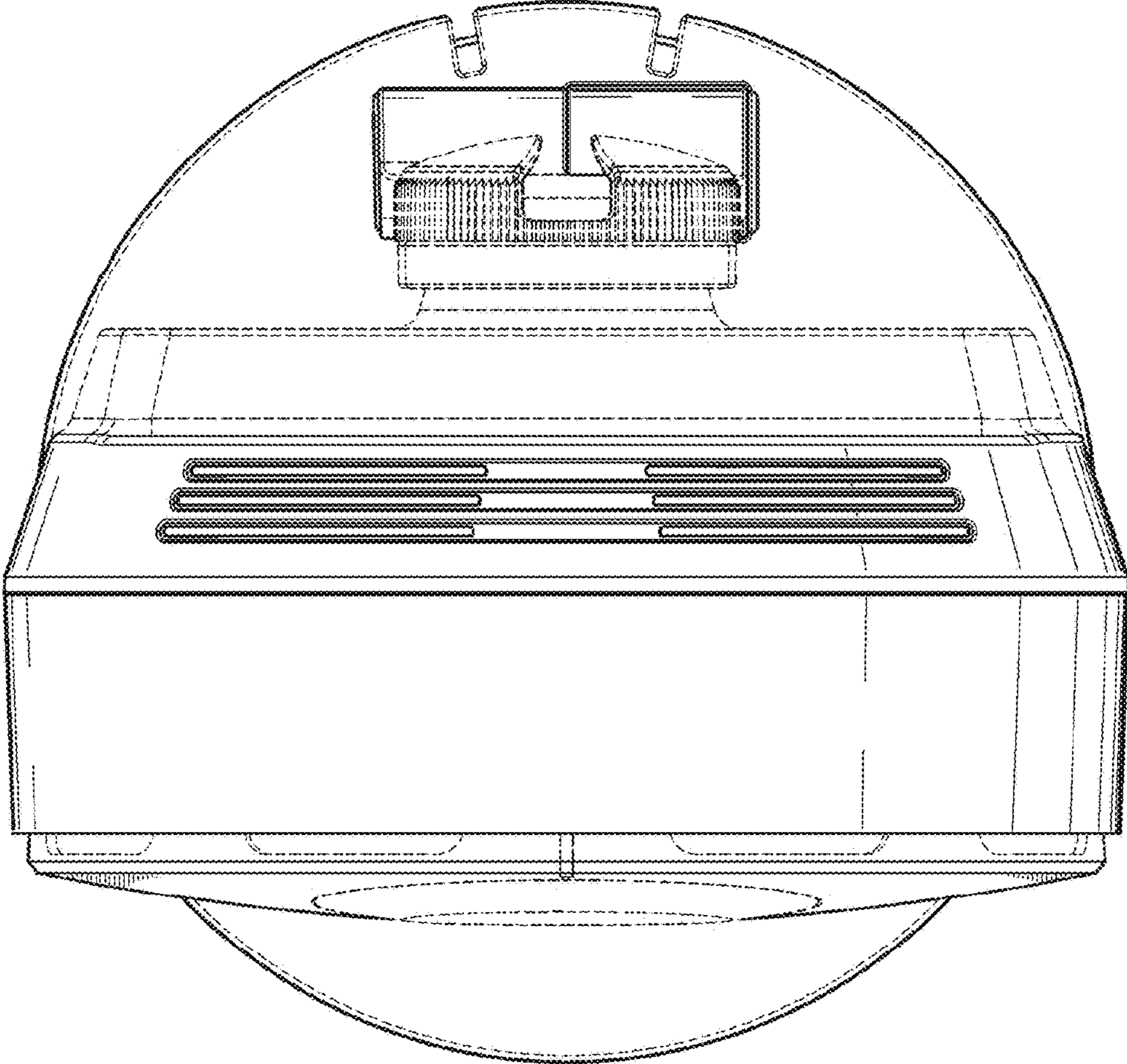


FIG. 7

