



US00D825636S

(12) **United States Design Patent**
Hueber et al.

(10) **Patent No.:** **US D825,636 S**

(45) **Date of Patent:** **** Aug. 14, 2018**

(54) **VIDEO CAMERA**

(71) Applicant: **DECATHLON**, Villeneuve d'Ascq (FR)

(72) Inventors: **Quentin Hueber**, Ambilly (FR);
Alexandre Melet, Lille (FR); **Charles Cambianica**, Roubaix (FR)

(73) Assignee: **Decathlon**, Villeneuve d'Ascq (FR)

(**) Term: **15 Years**

(21) Appl. No.: **29/607,573**

(22) Filed: **Jun. 14, 2017**

(30) **Foreign Application Priority Data**

Dec. 19, 2016 (EM) 003525328-0001

(51) **LOC (11) Cl.** **16-01**

(52) **U.S. Cl.**
USPC **D16/202**

(58) **Field of Classification Search**
USPC D16/200, 202–206, 208, 218, 219;
348/373–376; 396/535, 539–541
CPC G03B 15/03; G03B 17/02; G03B 17/04;
G03B 17/56; G03B 19/04; H04N 5/2251;
H04N 5/2252; H04N 5/2253; H04N
5/2254; H04N 2101/00
See application file for complete search history.

(56) **References Cited**

U.S. PATENT DOCUMENTS

6,788,887 B2 * 9/2004 Takeshita G03B 17/06
396/286
D504,904 S * 5/2005 Nagai D16/203

D721,395 S * 1/2015 Woodman D16/218
D725,169 S * 3/2015 Gioscia D16/200
D744,572 S * 12/2015 Tabuchi D16/218
D750,686 S * 3/2016 Chen D16/218
9,282,226 B2 * 3/2016 Samuels G03B 17/02
D754,768 S * 4/2016 Patulski D16/202
D755,270 S * 5/2016 Vehlewald D16/202
D760,309 S * 6/2016 Parfitt D16/202
D773,546 S * 12/2016 Nguyen D16/218
D777,232 S * 1/2017 Lillquist D16/202
D803,925 S * 11/2017 Hoshi D16/218

* cited by examiner

Primary Examiner — Philip S Hyder

Assistant Examiner — Ramzi S Almatrahi

(74) *Attorney, Agent, or Firm* — Fross Zelnick Lehrman & Zissu, P.C.; Charles T.J. Weigell, Esq.

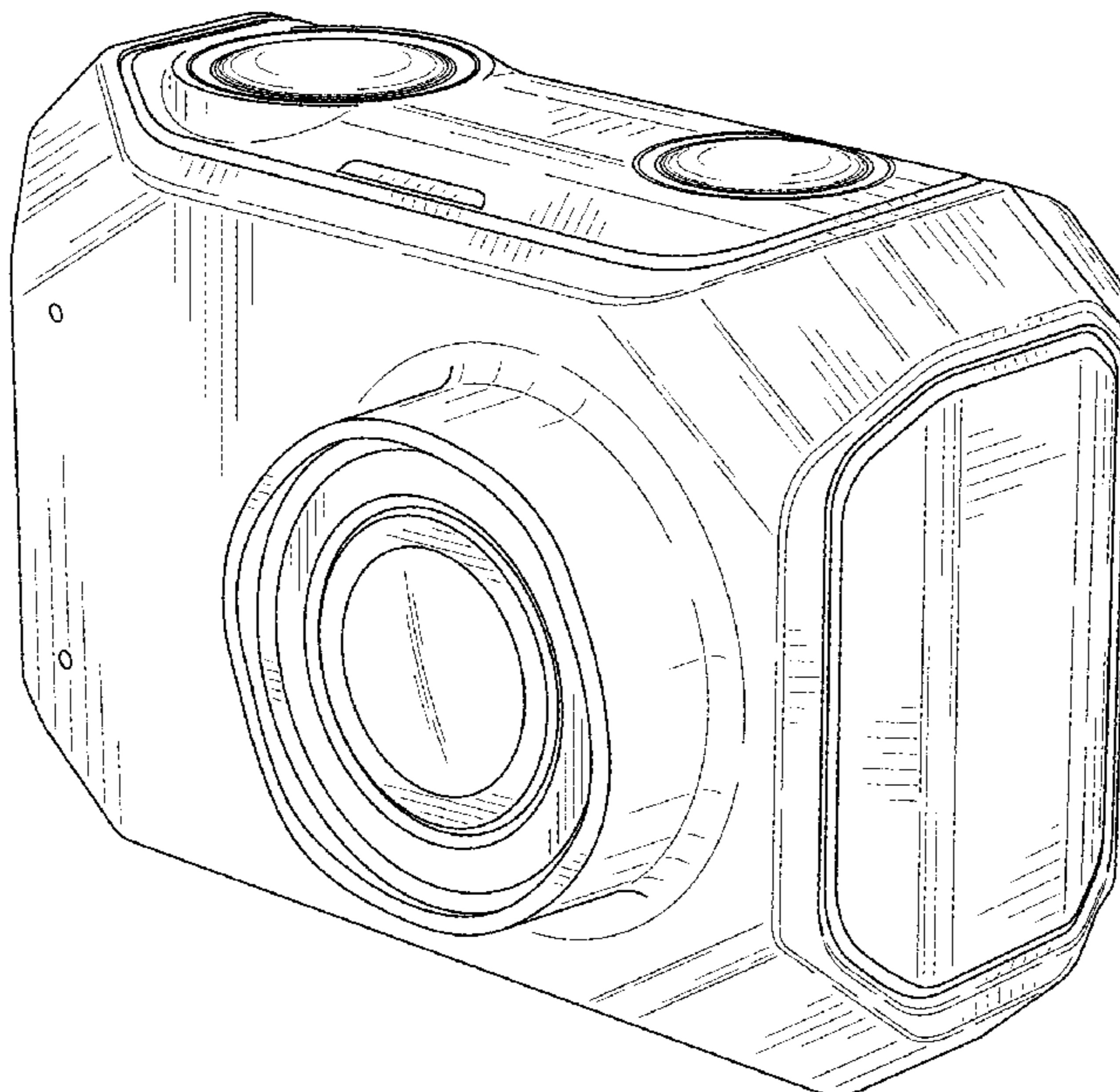
(57) **CLAIM**

The ornamental design for a video camera, as shown and described.

DESCRIPTION

FIG. 1 is a front perspective view of a video camera showing our new design;
FIG. 2 is a front view thereof;
FIG. 3 is a back view thereof;
FIG. 4 is a left side view thereof;
FIG. 5 is a right side view thereof;
FIG. 6 is a top view thereof; and,
FIG. 7 is a bottom view thereof.
The broken lines depict portions of the video camera in which the design is embodied that form no part of the claimed design.

1 Claim, 4 Drawing Sheets



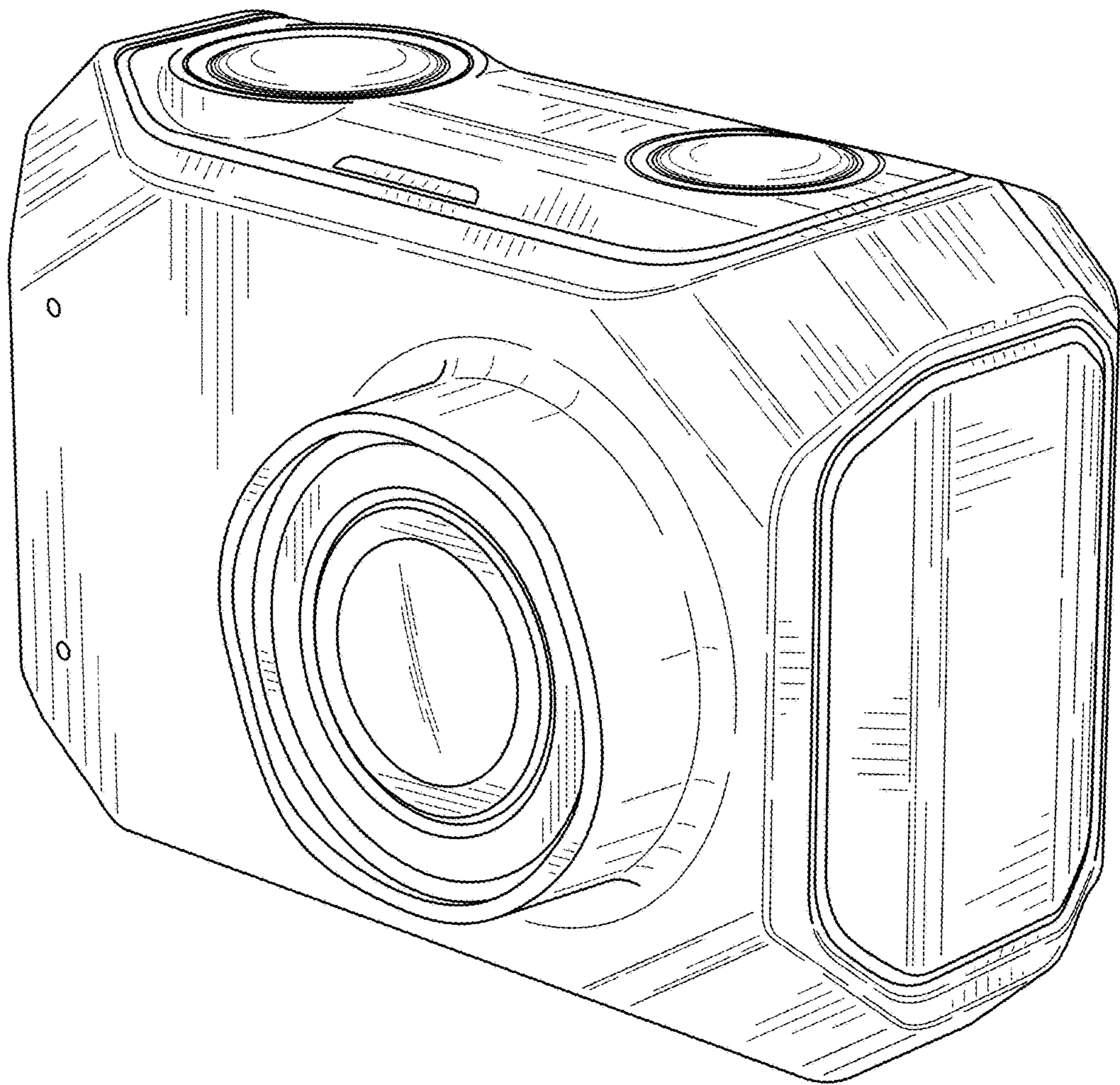


FIG. 1

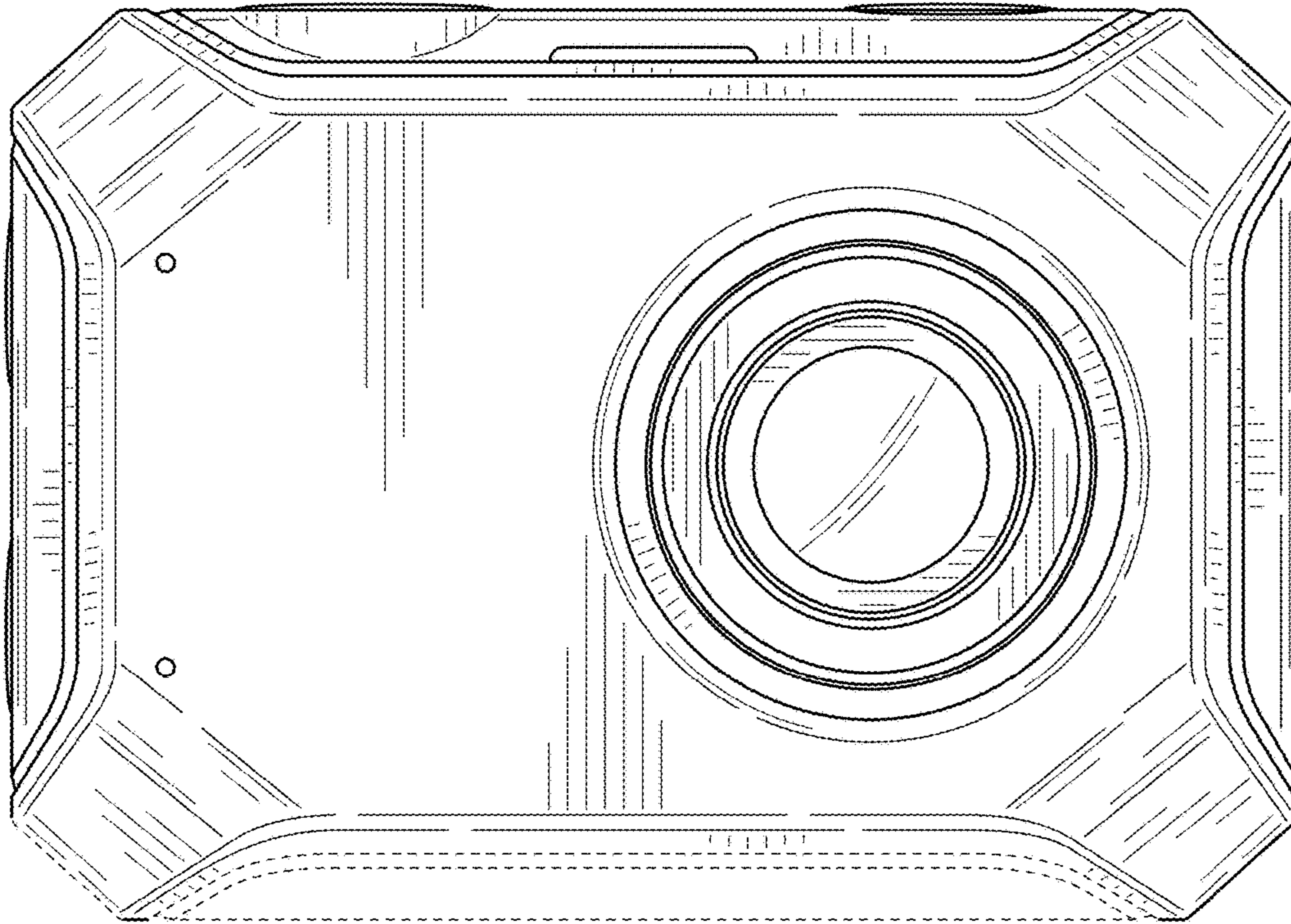


FIG. 2

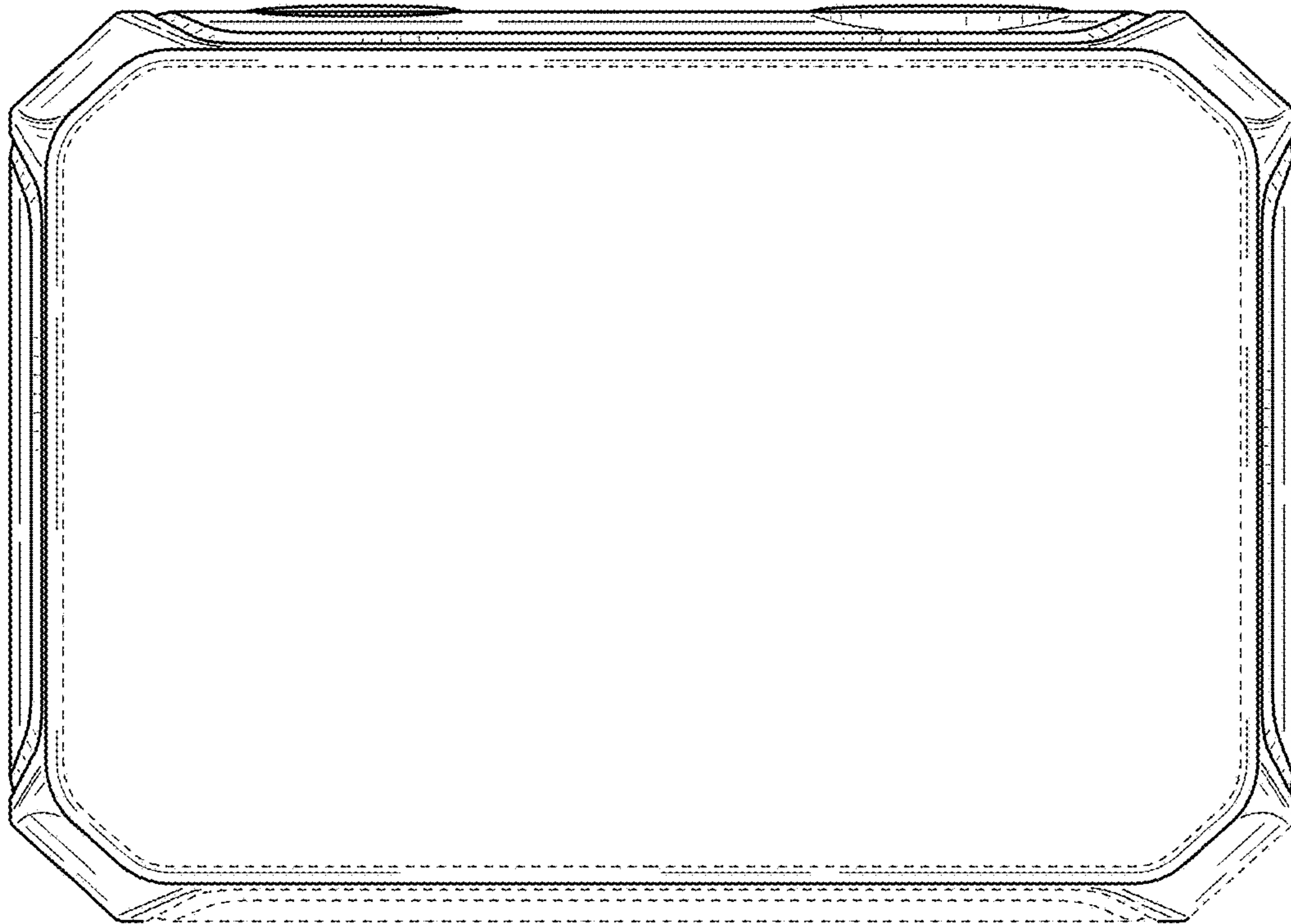


FIG. 3

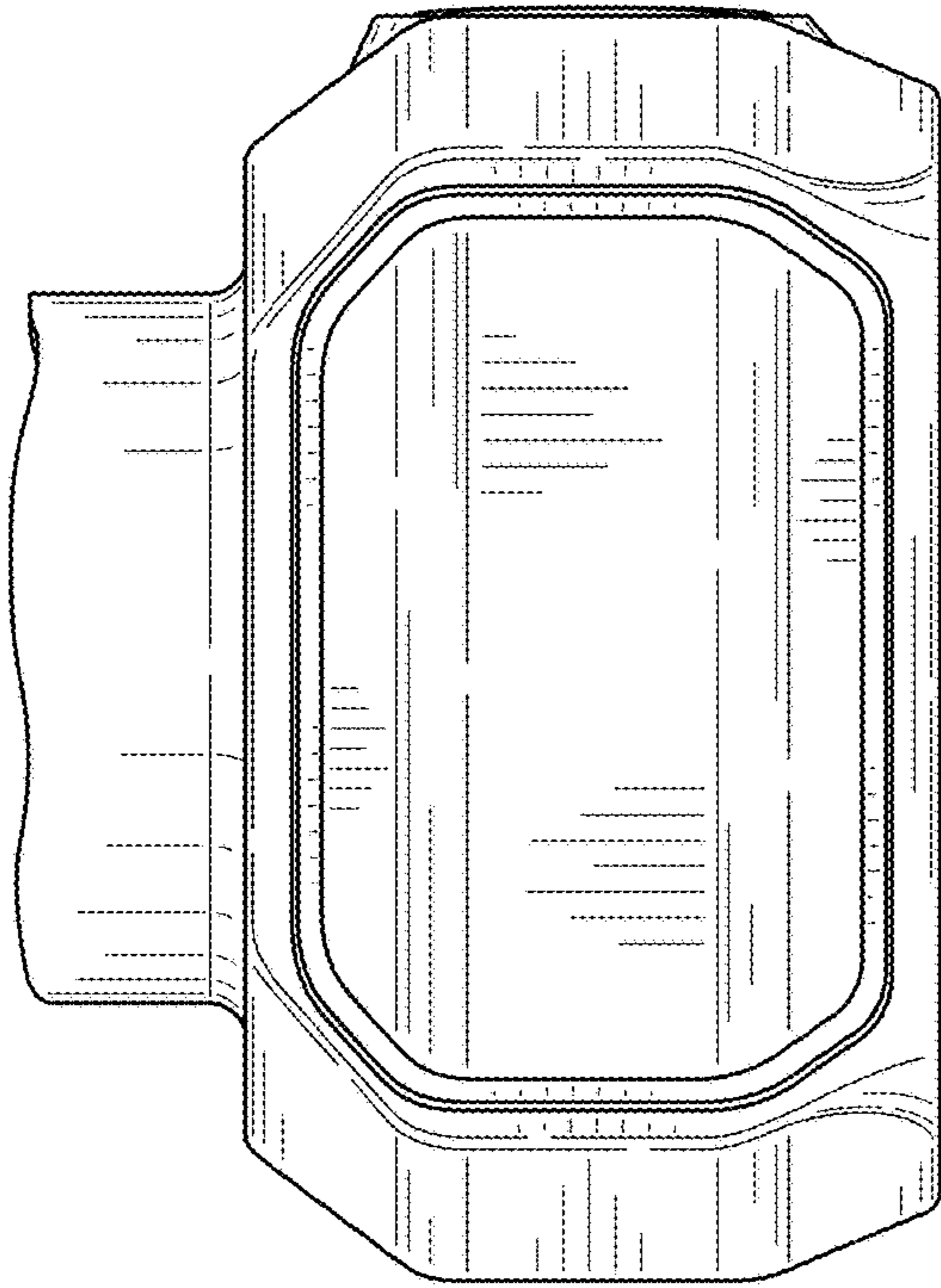


FIG. 4

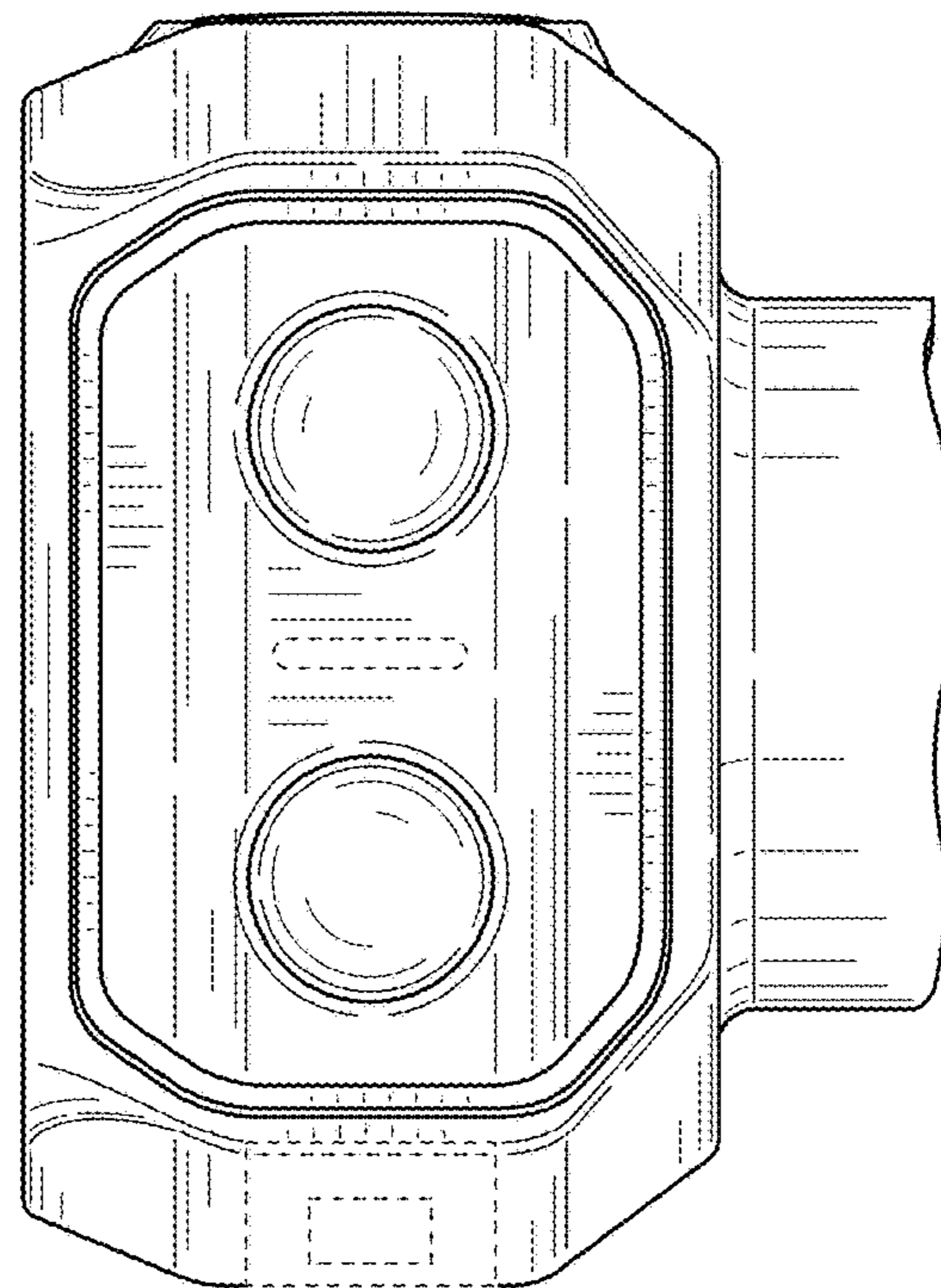


FIG. 5

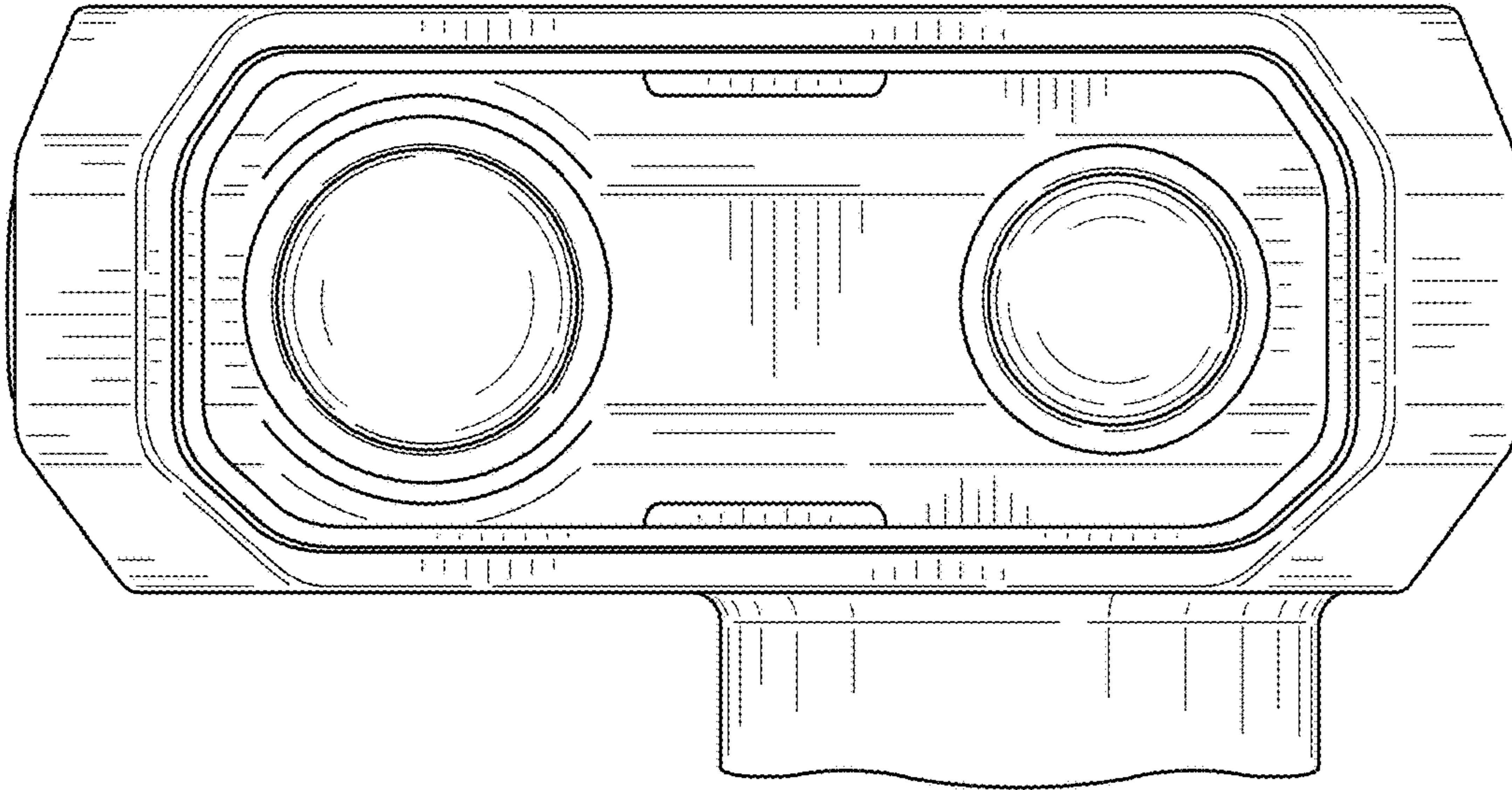


FIG. 6

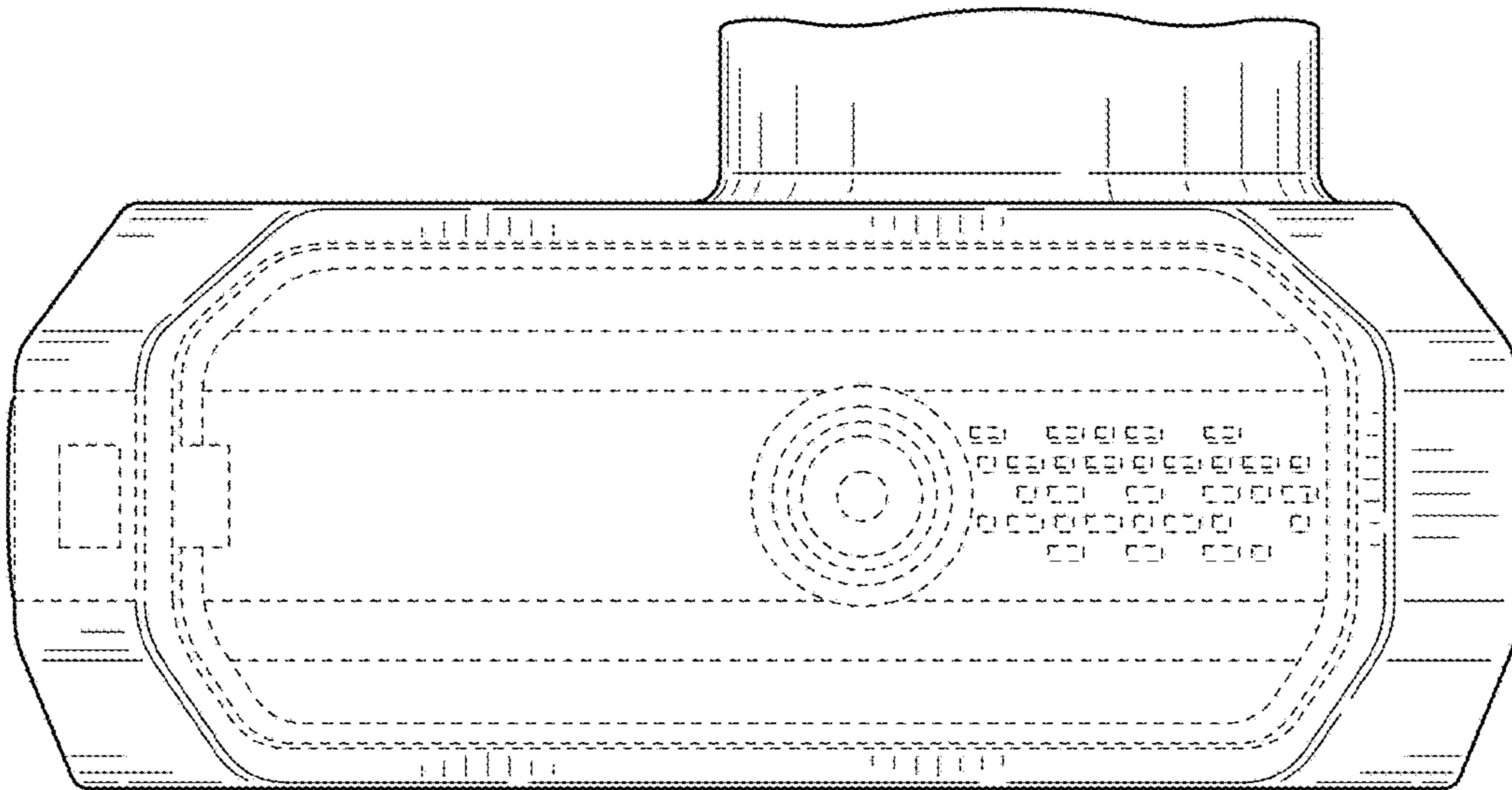


FIG. 7