



US00D825635S

(12) **United States Design Patent** (10) **Patent No.:** **US D825,635 S**
Jim (45) **Date of Patent:** **** Aug. 14, 2018**

(54) **MAGNIFIER**

(71) Applicant: **CONCAVEX OPTICS LTD.**, Central (HK)

(72) Inventor: **Shiu Fai Jim**, Central (HK)

(73) Assignee: **CONCAVEX OPTICS, LTD.**, Hong Kong (HK)

(**) Term: **15 Years**

(21) Appl. No.: **29/589,024**

(22) Filed: **Dec. 27, 2016**

(30) **Foreign Application Priority Data**

Jun. 27, 2016 (DE) 40 2016 202 350
Nov. 14, 2016 (EM) 003463199-0001

(51) **LOC (11) Cl.** **16-06**

(52) **U.S. Cl.**
USPC **D16/135**

(58) **Field of Classification Search**
USPC D14/203.3-203.7, 217, 238.1, 240, 248,
D14/250-253; D16/130, 134, 135
CPC G02B 27/026; H04J 11/00; H04J 13/00
See application file for complete search history.

(56) **References Cited**

U.S. PATENT DOCUMENTS

D407,393 S * 3/1999 Kazama D14/125
D523,445 S * 6/2006 Toh D14/203.7
D596,626 S * 7/2009 Andre D14/240
D634,762 S * 3/2011 Levine D16/135
D659,114 S * 5/2012 Rayn D14/203.3
D668,700 S * 10/2012 Jim D16/135
D669,512 S * 10/2012 Besse D16/135
D742,856 S * 11/2015 Skjoldborg D14/217

D743,931 S * 11/2015 Hubbard D14/203.7
D761,240 S * 7/2016 Ozolins D14/250
D763,940 S * 8/2016 Bourque D16/135
D782,476 S * 3/2017 Yamazaki D14/240
2004/0207935 A1 * 10/2004 Jim G02B 25/02
359/802

* cited by examiner

Primary Examiner — Mark Alan Goodwin
Assistant Examiner — Benjamin M Weeks
(74) *Attorney, Agent, or Firm* — Nyemaster Goode, P.C.

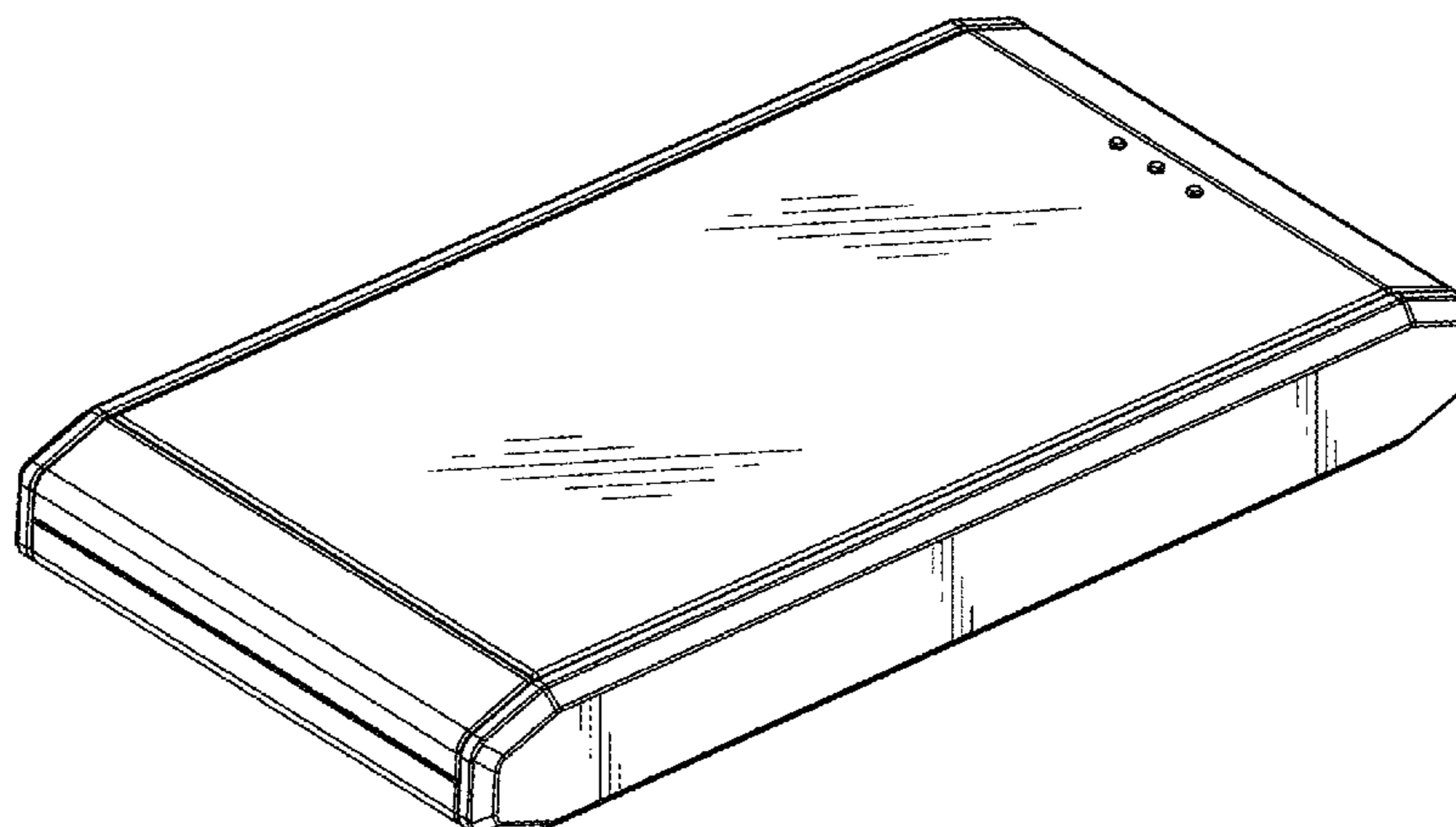
(57) **CLAIM**

The ornamental design for a magnifier, as shown and described.

DESCRIPTION

FIG. 1 is a perspective view of the magnifier looking downwardly from the front end.
FIG. 2 is a perspective view looking downwardly from the rear end thereof.
FIG. 3 is a top view thereof.
FIG. 4 is a bottom view thereof.
FIG. 5 is a side view thereof.
FIG. 6 is a rear view thereof.
FIG. 7 is a front view thereof.
FIG. 8 is a perspective view of the magnifier in open position showing the lens.
FIG. 9 is a perspective view of the magnifier in open position showing the lens and LED lights.
FIG. 10 is a top plan view of the magnifier in open position showing the lens and LED lights.
FIG. 11 is a top plan view of the magnifier in open position showing the lens.
FIG. 12 is a left side view of the magnifier in open position; and,
FIG. 13 is a right side view of the magnifier in open position.

1 Claim, 13 Drawing Sheets



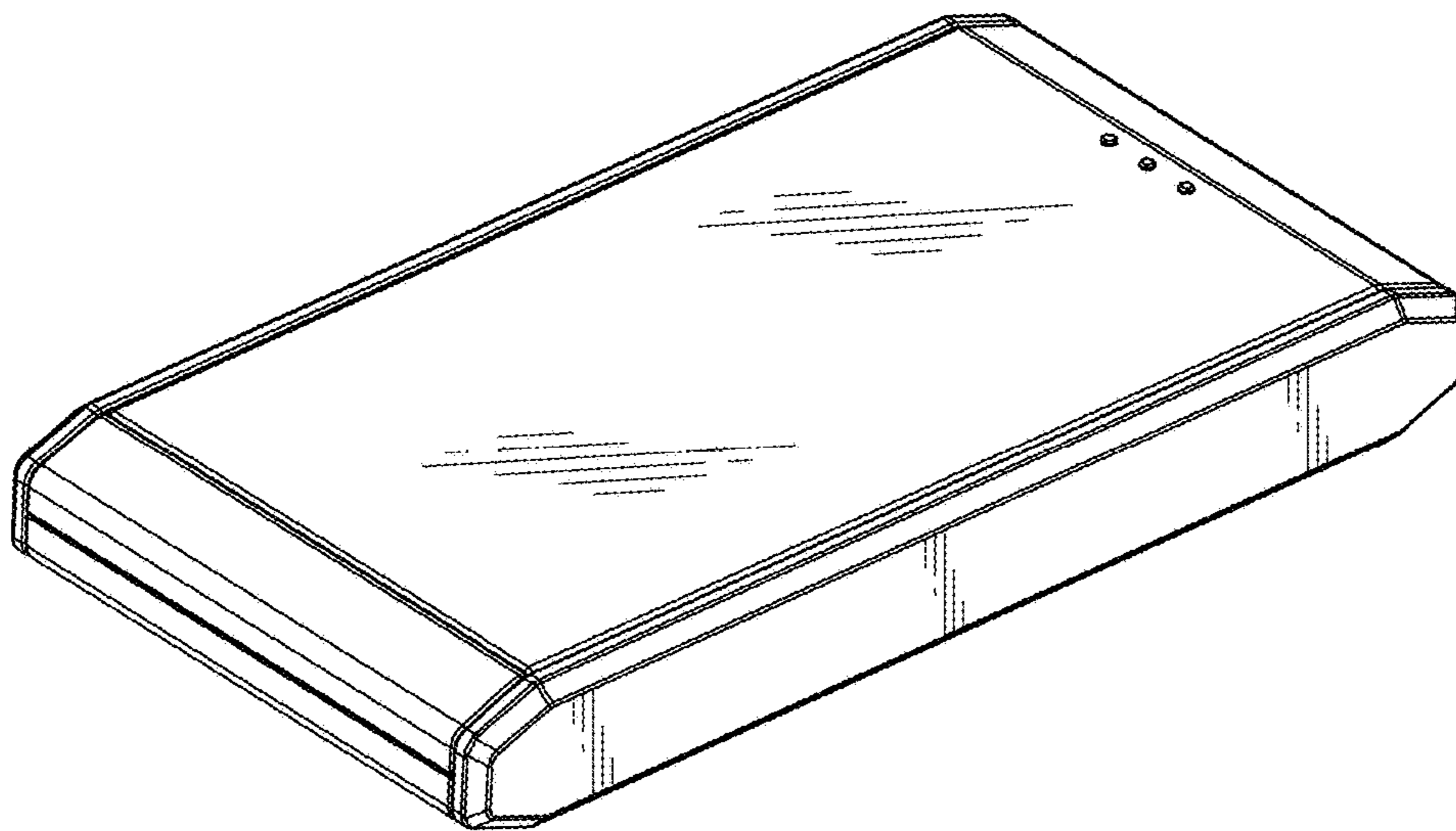


Fig. 1

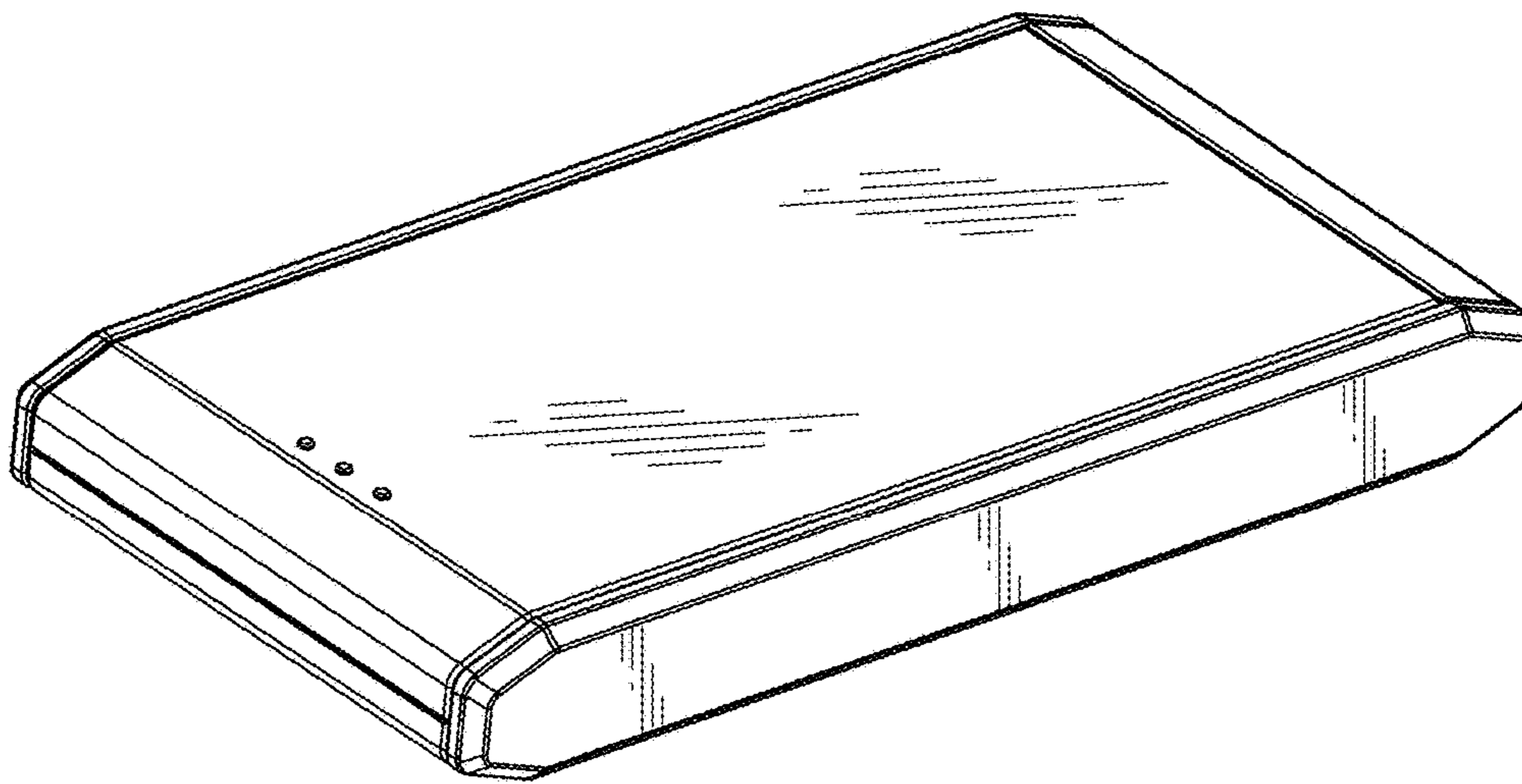


Fig. 2

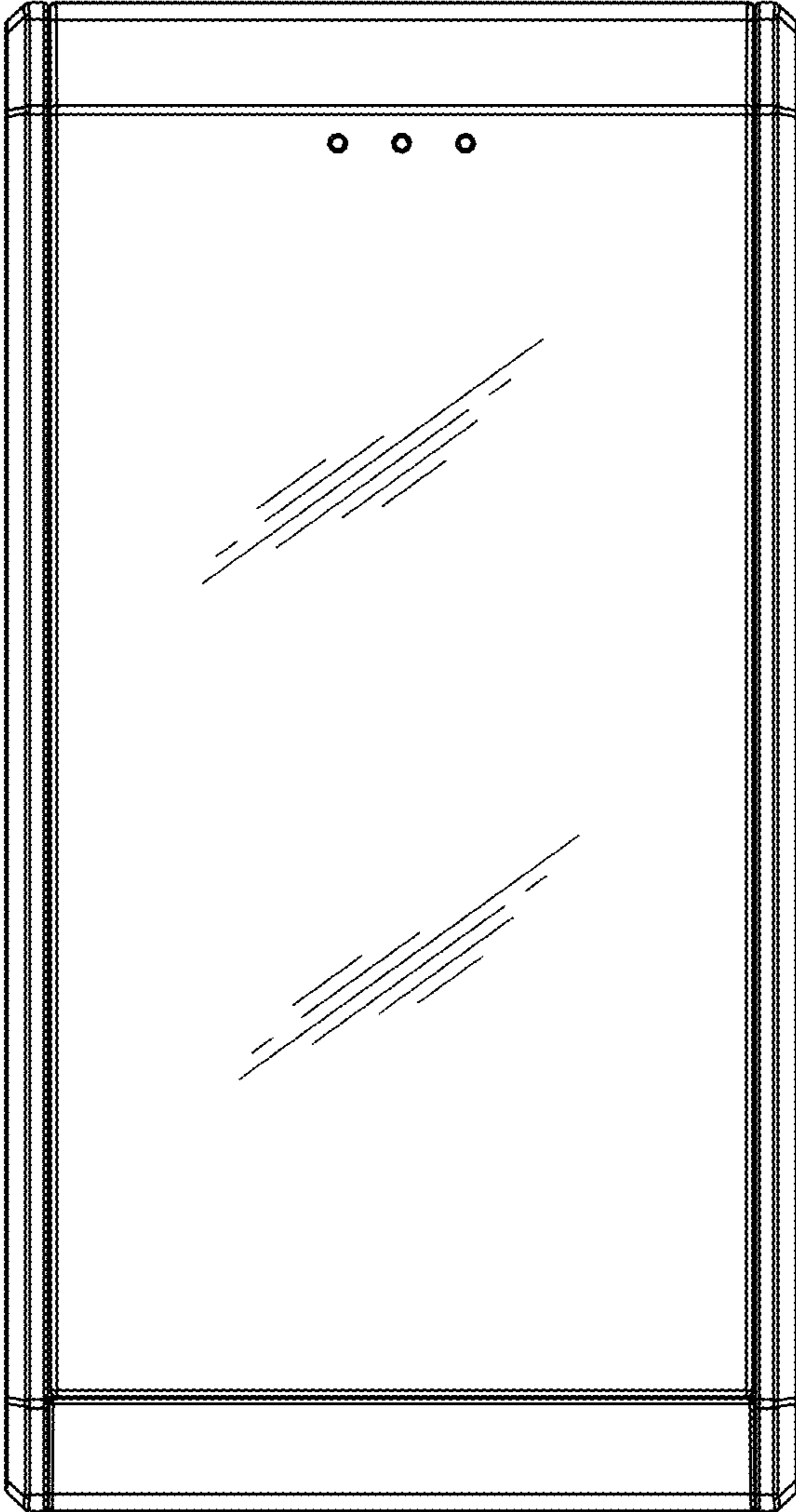


Fig. 3

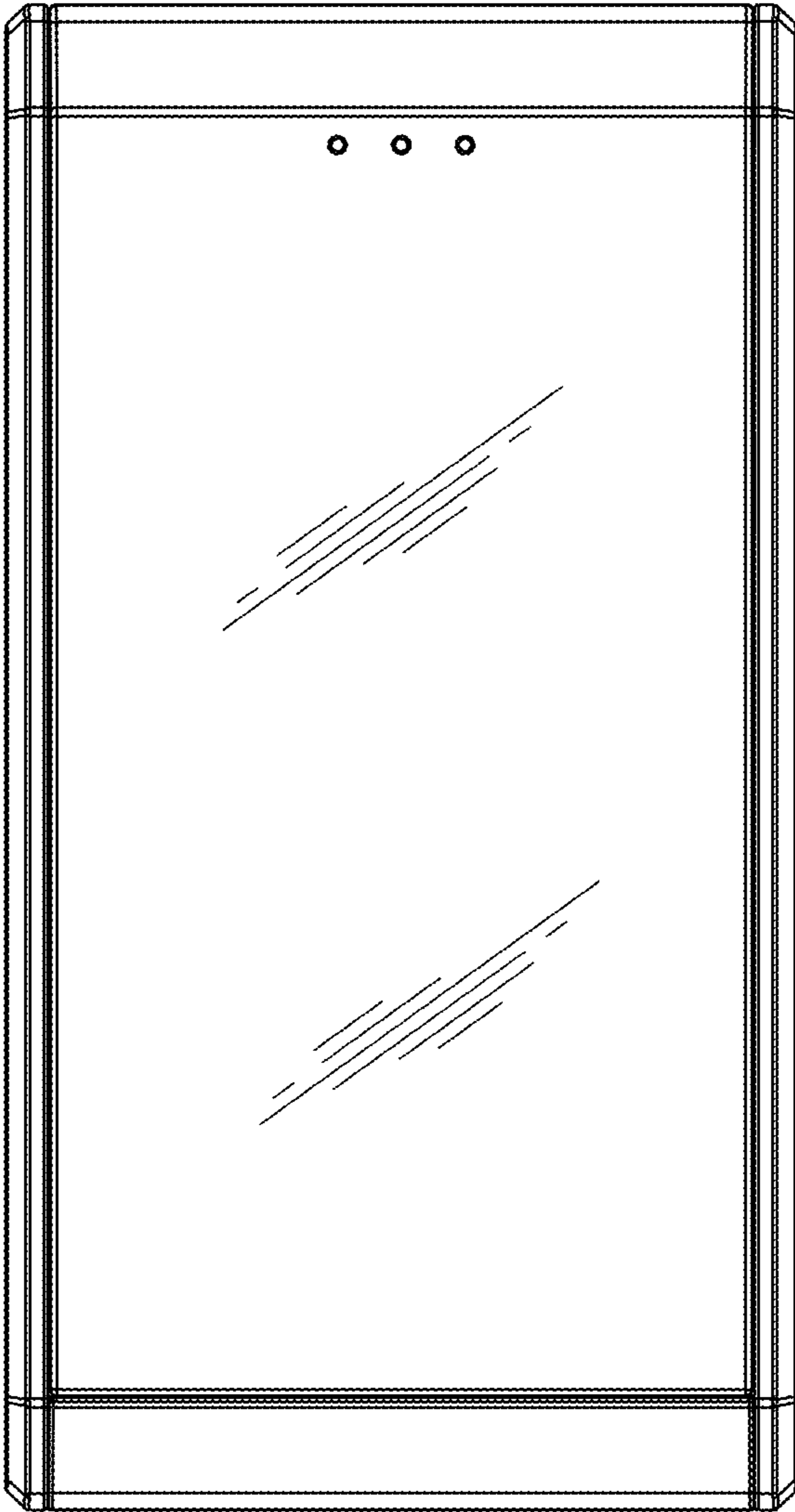


Fig. 4

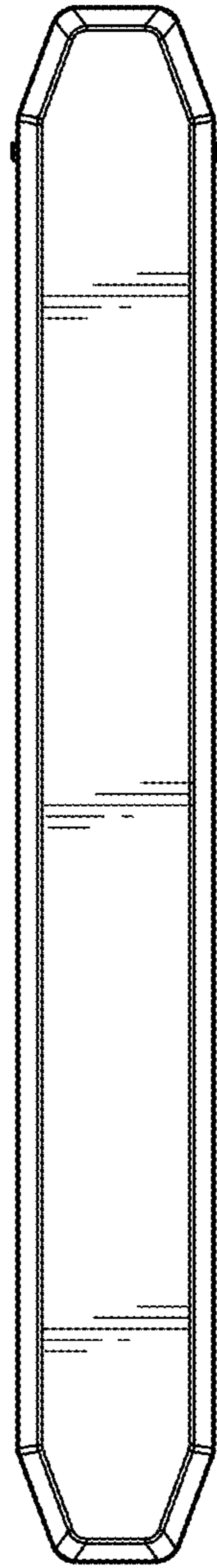


Fig. 5

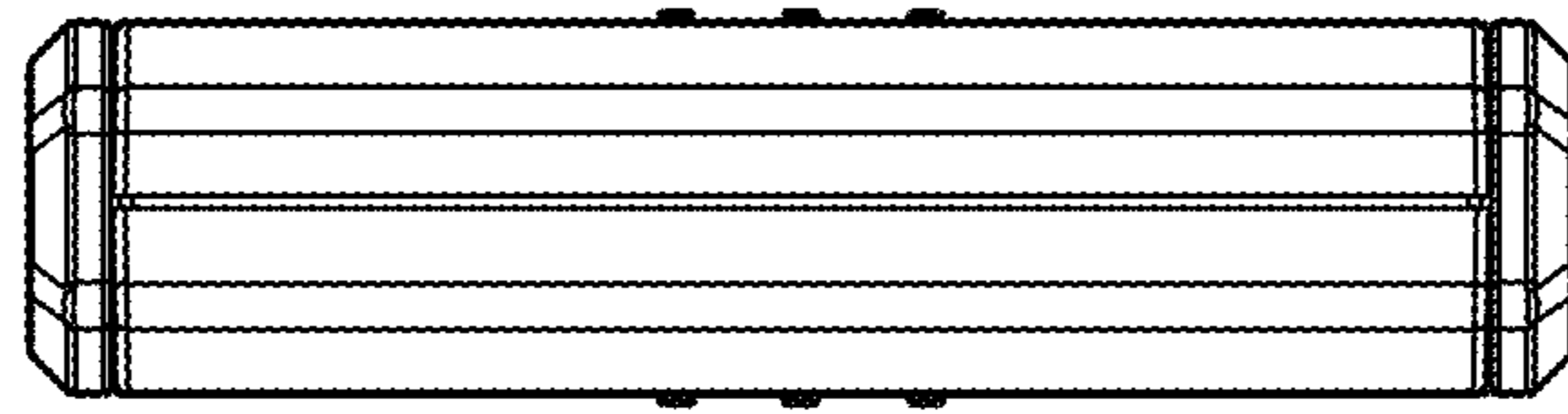


Fig. 6

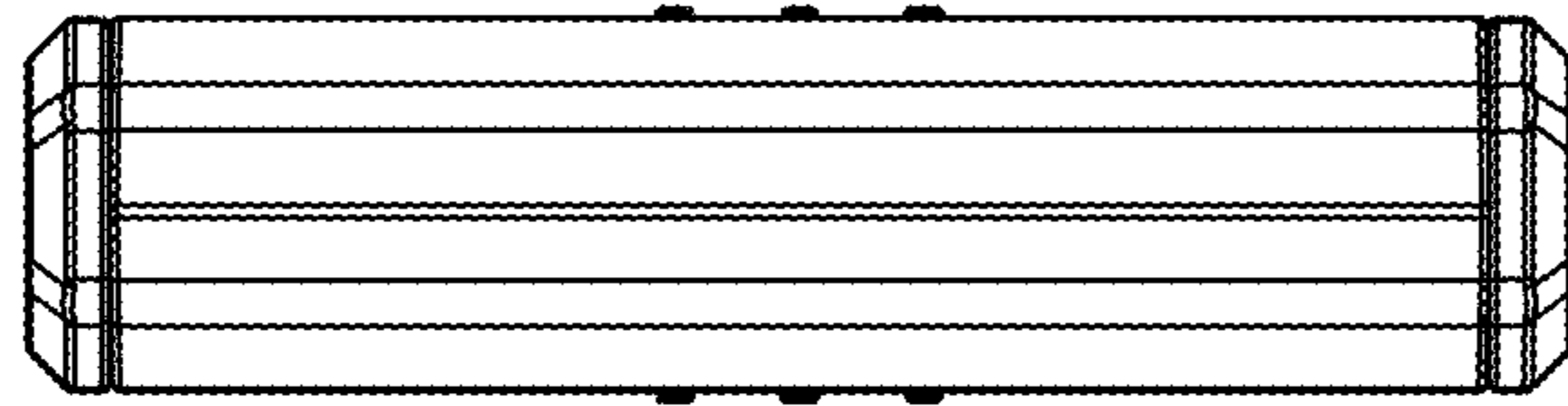


Fig. 7

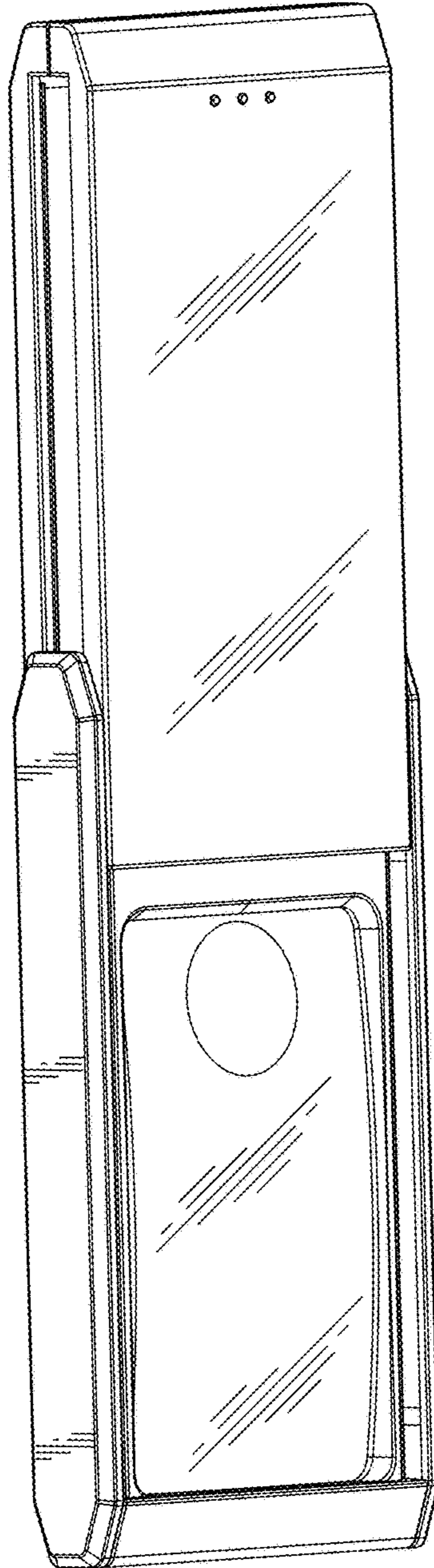


Fig. 8

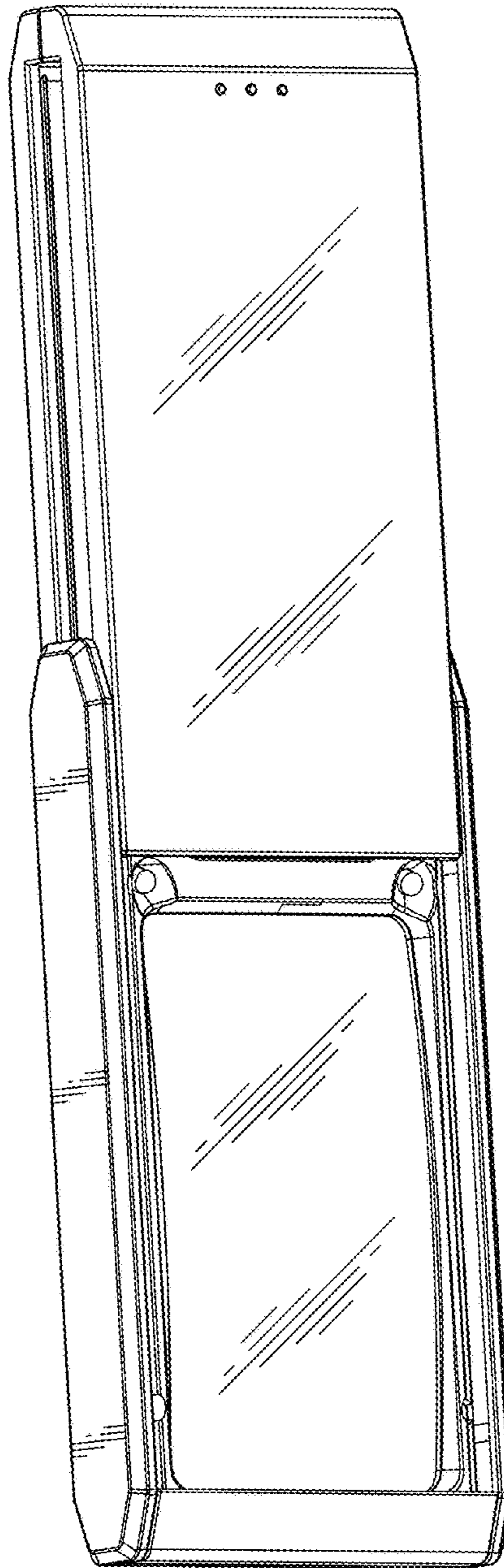


Fig. 9

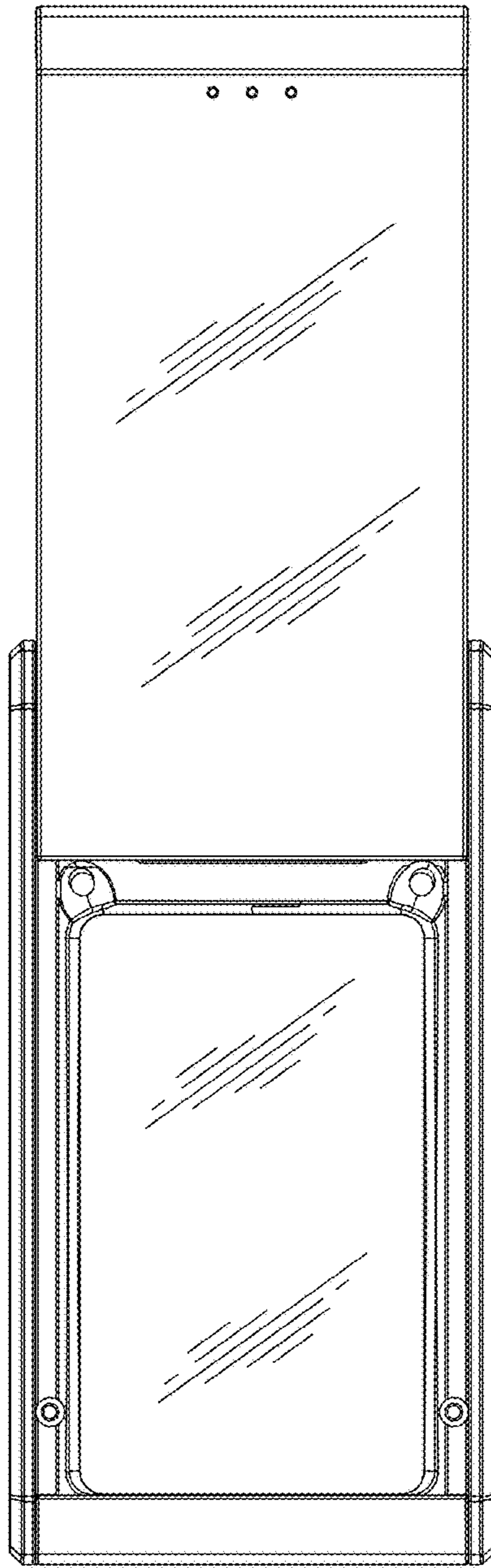


Fig. 10

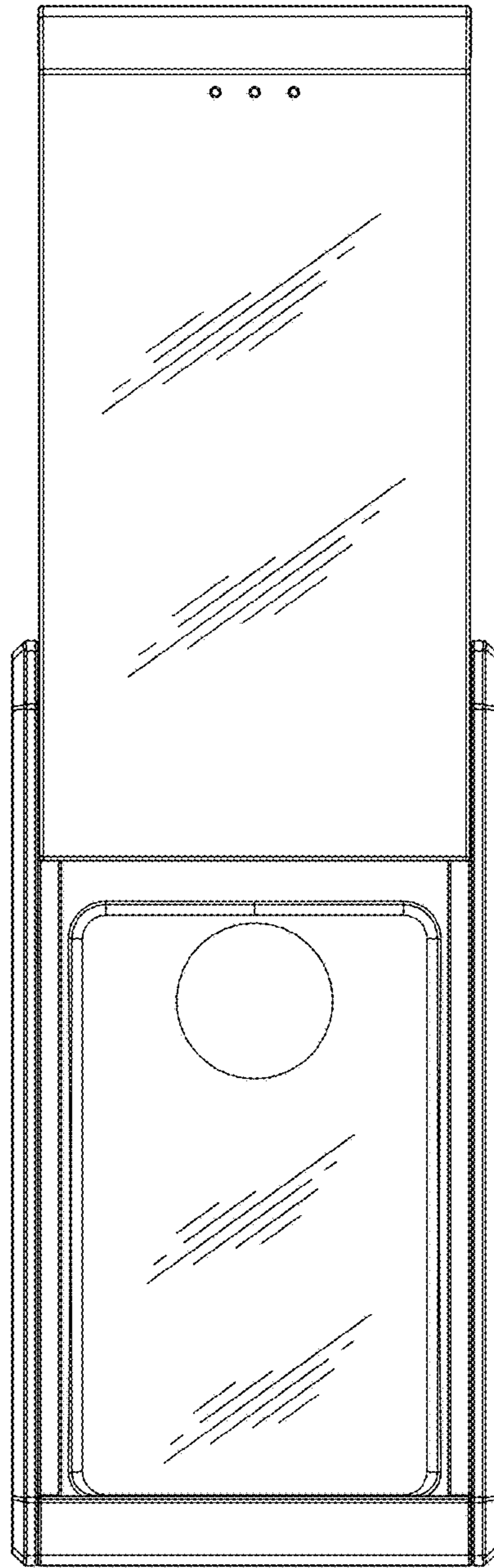


Fig. 11

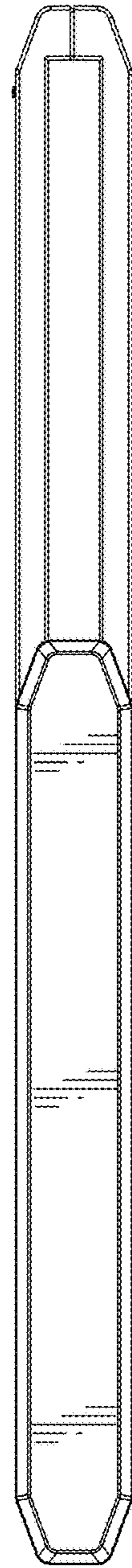


Fig. 12

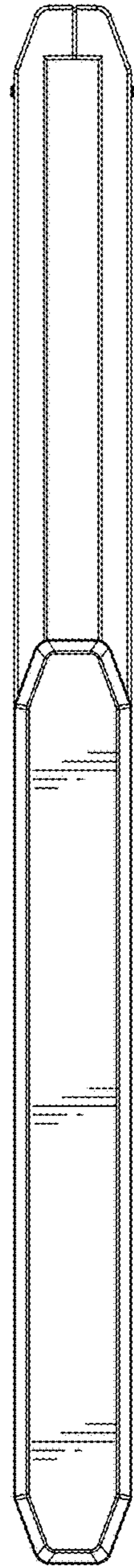


Fig. 13