



US00D825634S

(12) **United States Design Patent**
Wildsmith et al.

(10) **Patent No.:** **US D825,634 S**
(45) **Date of Patent:** **** *Aug. 14, 2018**

- (54) **CONTACT LENS**
- (71) Applicant: **Johnson & Johnson Vision Care, Inc.**,
Jacksonville, FL (US)
- (72) Inventors: **Christopher Wildsmith**, Jacksonville,
FL (US); **Michael F. Widman**,
Jacksonville, FL (US)
- (73) Assignee: **Johnson & Johnson Vision Care, Inc.**,
Jacksonville, FL (US)
- (*) Notice: This patent is subject to a terminal dis-
claimer.
- (**) Term: **15 Years**
- (21) Appl. No.: **29/557,229**
- (22) Filed: **Mar. 7, 2016**
- (51) **LOC (11) Cl.** **16-06**
- (52) **U.S. Cl.**
USPC **D16/101**
- (58) **Field of Classification Search**
USPC D16/101, 300–342, 900; D29/109–110;
D21/483, 659–661; D14/372; 351/41,
351/44, 45–48, 51–52, 62, 158, 92,
351/103–123, 140–153, 63, 59; 2/13, 15,
2/426–432, 447–449, 441, 434–437
CPC G02C 2200/08; G02C 1/06; G02C 5/14;
G02C 11/02; G02C 11/04; G02C 5/16;
G02C 2200/22; G02C 5/146; G02C
5/2254; G02C 5/008; G01C 5/16; A61M
2021/0044; A63B 33/002
See application file for complete search history.

(56) **References Cited**

U.S. PATENT DOCUMENTS

- D211,757 S * 7/1968 Urbach 351/159.02
- D374,246 S * 10/1996 Konopka D16/331

- D416,923 S * 11/1999 Jahnke D16/101
- D447,158 S * 8/2001 Hsu D16/101
- D507,803 S * 7/2005 Norbury D16/101
- D548,225 S * 8/2007 Oliver D14/230
- D556,228 S * 11/2007 Lam D16/101
- 7,441,892 B2 10/2008 Hsu
- D616,005 S * 5/2010 Peng D16/101
- D623,675 S * 9/2010 Peng D16/101
- D624,105 S * 9/2010 Peng D16/101
- D671,580 S * 11/2012 Fahy D16/101
- D681,086 S * 4/2013 Christie D16/101
- 8,636,357 B2 1/2014 Chehab et al.
- D751,615 S * 3/2016 Hachnochi D16/101
- D754,861 S * 4/2016 O'Driscoll D16/101
- D755,868 S * 5/2016 Wright D16/101
- D755,869 S * 5/2016 Wright D16/101
- D755,870 S * 5/2016 Wright D16/101
- D755,871 S * 5/2016 Wright D16/101
- D755,872 S * 5/2016 Bowers D16/101
- D756,432 S * 5/2016 Wright D16/101
- D756,433 S * 5/2016 Bowers D16/101
- D756,434 S * 5/2016 Bowers D16/101
- D757,145 S * 5/2016 Bowers D16/101
- D765,751 S * 9/2016 Bowers D16/101

(Continued)

Primary Examiner — Michelle E Wilson
Assistant Examiner — Sanjeev Paul

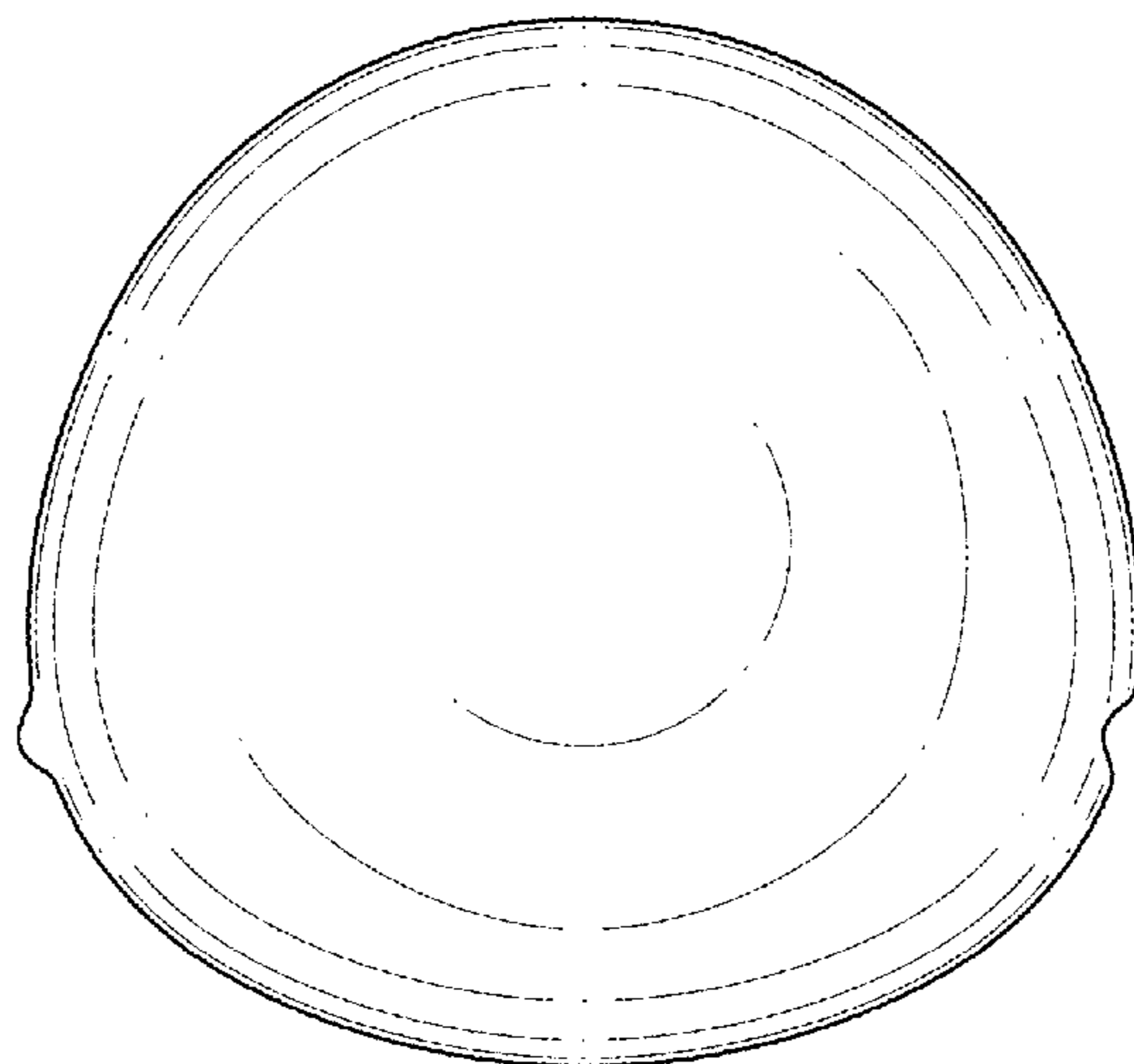
(57) **CLAIM**

The ornamental design for a contact lens, as shown and described.

DESCRIPTION

FIG. 1 is a top view of a contact lens with its convex side down showing the new design;
FIG. 2 is a side view of the contact lens of FIG. 1;
FIG. 3 is an alternative side view of the contact lens of FIG. 1;
FIG. 4 is a rear view of the contact lens of FIG. 1 with its convex side up; and,
FIG. 5 is a front view of the contact lens of FIG. 1.

1 Claim, 3 Drawing Sheets



(56)

References Cited

U.S. PATENT DOCUMENTS

2016/0054593 A1 * 2/2016 Flitsch G02C 11/10
351/158

* cited by examiner

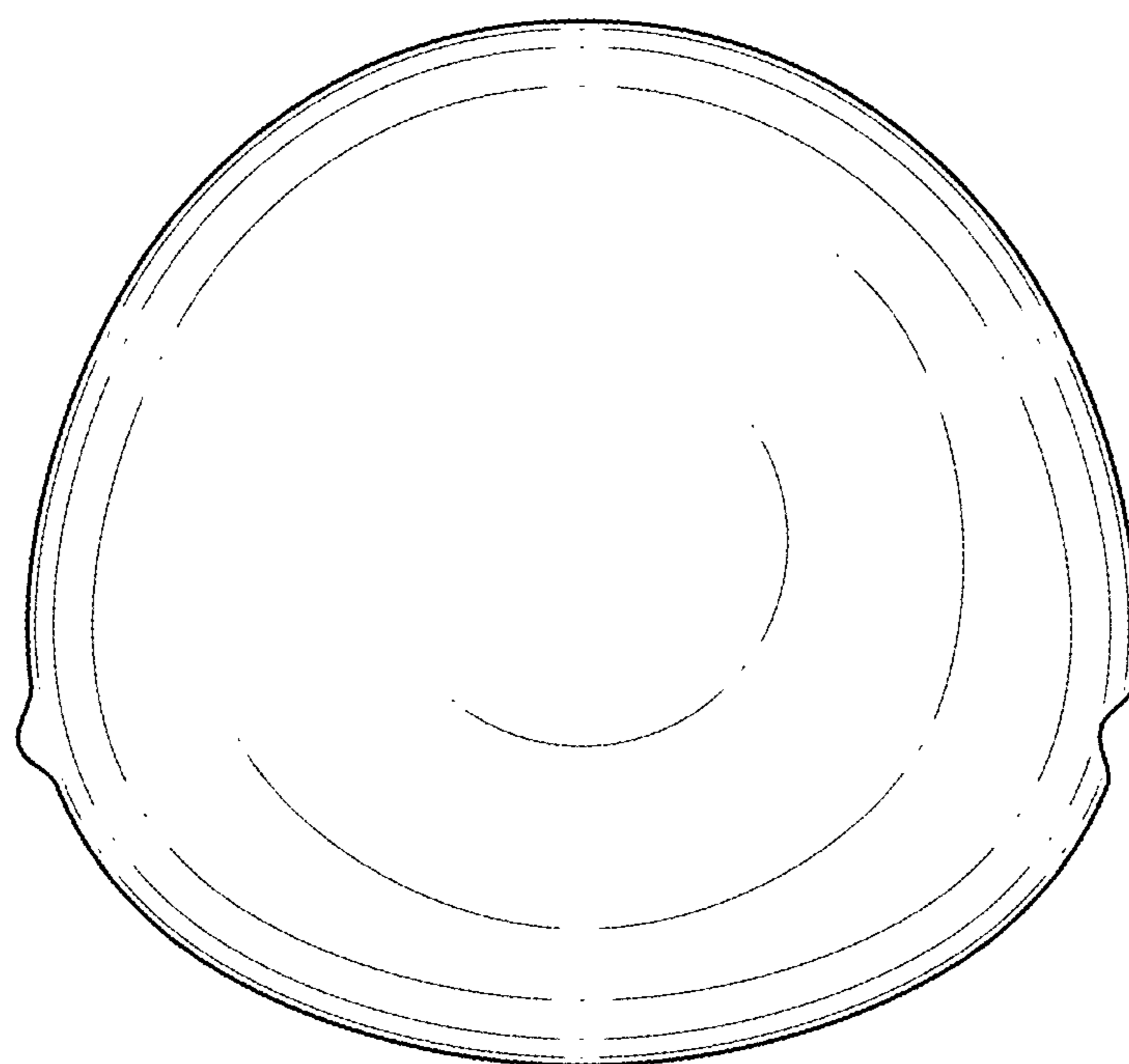


FIG. 1

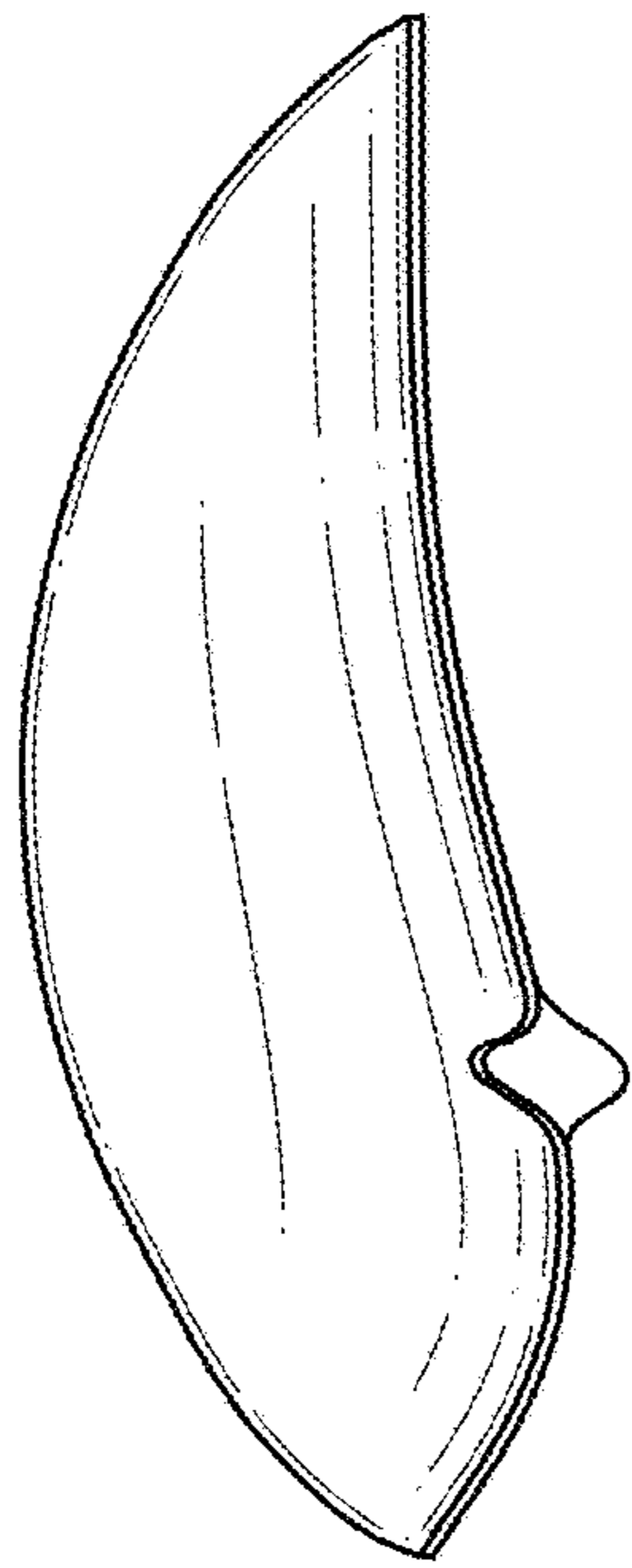


FIG. 2

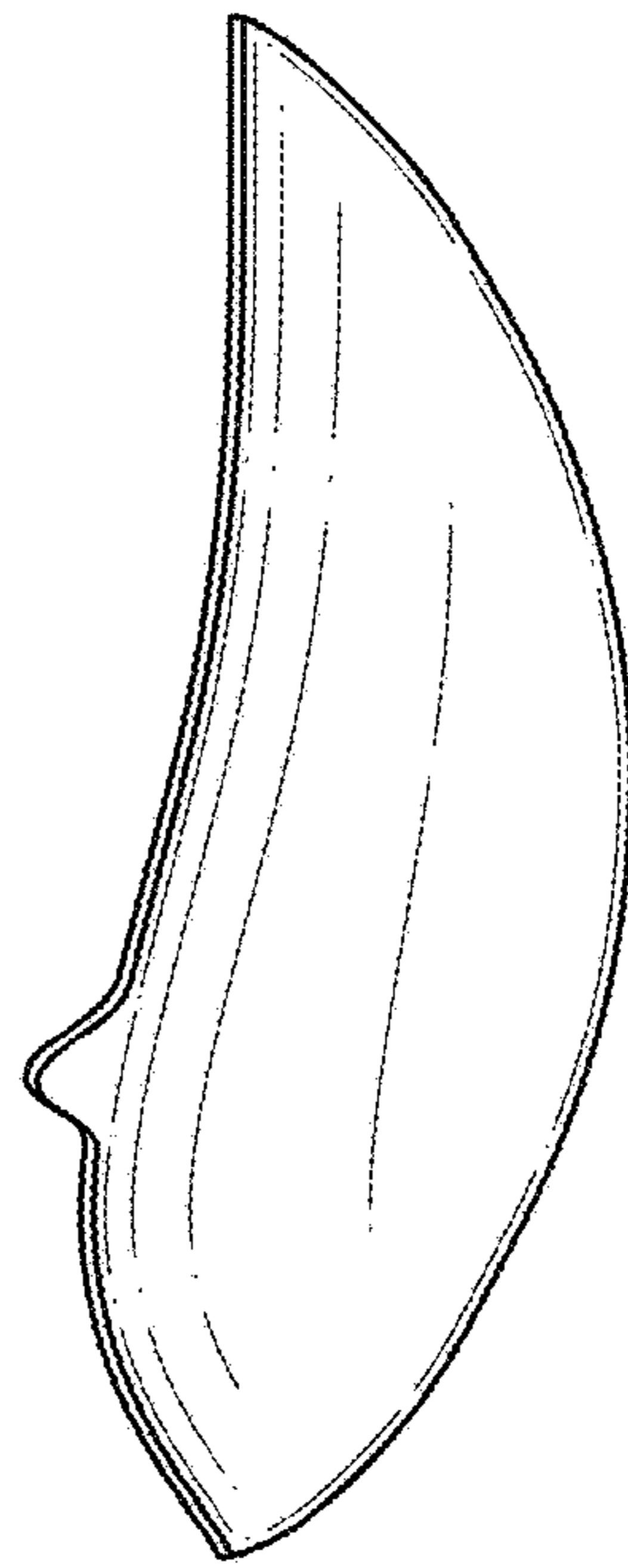


FIG. 3

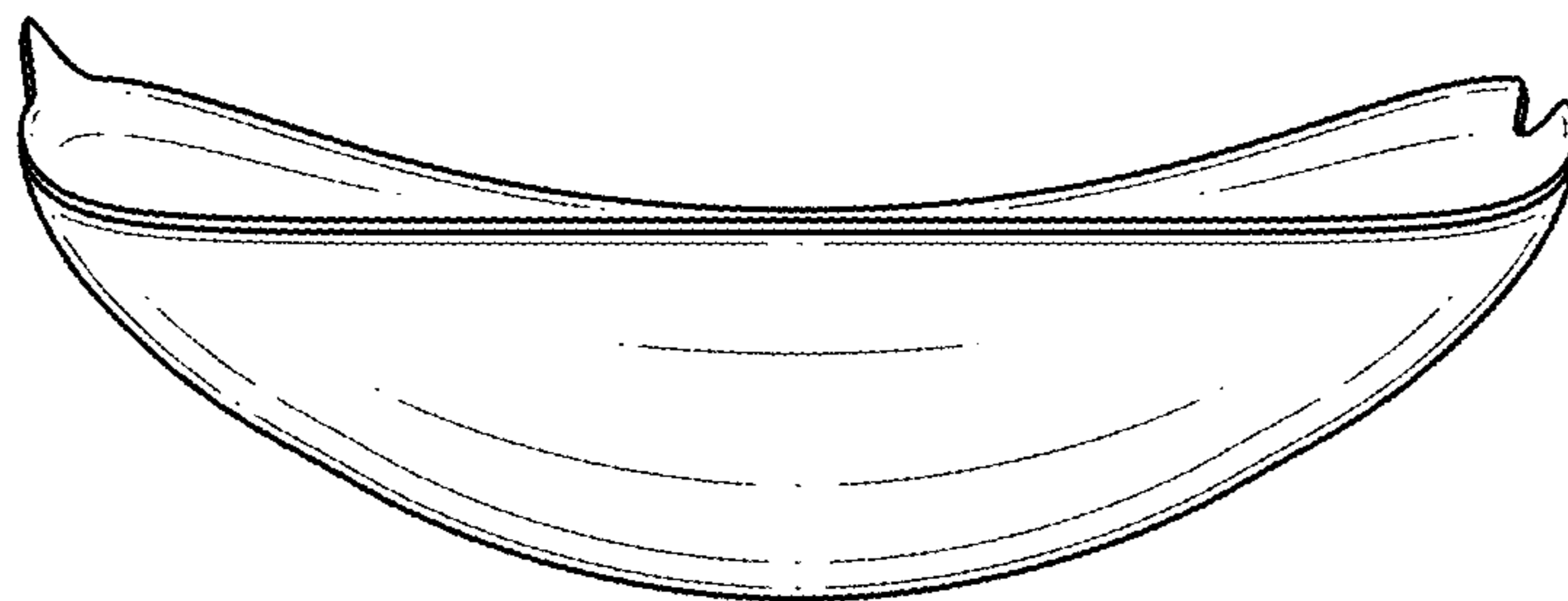


FIG. 4

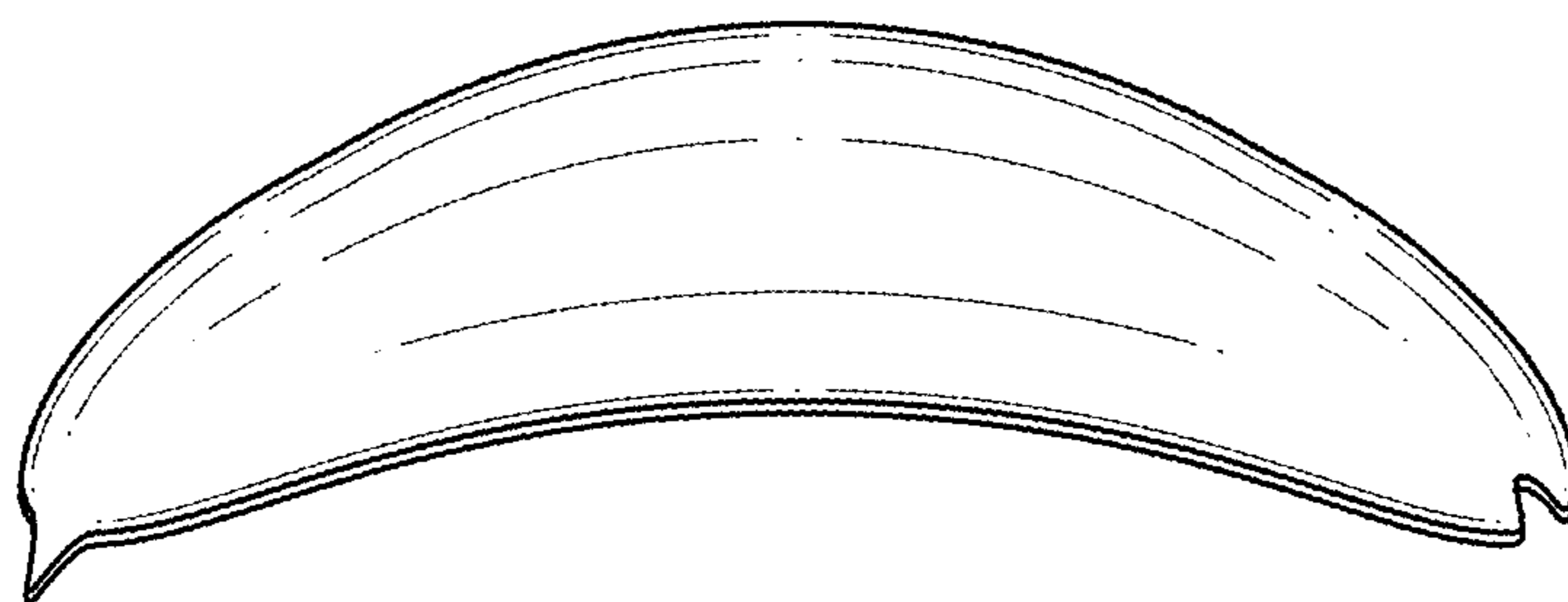


FIG. 5