



US00D825630S

(12) **United States Design Patent**
Zhao

(10) **Patent No.:** **US D825,630 S**

(45) **Date of Patent:** **** Aug. 14, 2018**

(54) **OPTICAL FIBER FUSION SPLICER**

(71) Applicant: **INNO INSTRUMENT (CHINA)**
.INC, WeiHai (CN)

(72) Inventor: **Yangri Zhao, WeiHai (CN)**

(73) Assignee: **INNO INSTRUMENT (CHINA)**
.INC, Weihai (CN)

(**) Term: **15 Years**

(21) Appl. No.: **29/577,872**

(22) Filed: **Sep. 16, 2016**

(30) **Foreign Application Priority Data**

Mar. 30, 2016 (CN) 2016 3 0100274

(51) **LOC (11) Cl.** **15-09**

(52) **U.S. Cl.**
USPC **D15/144**

(58) **Field of Classification Search**
USPC D3/263, 281, 905; D15/144
CPC ... G02B 6/2551; G02B 6/2553; G02B 6/2555
See application file for complete search history.

(56) **References Cited**

U.S. PATENT DOCUMENTS

- 6,206,583 B1 * 3/2001 Hishikawa G02B 6/2551
385/96
- D587,306 S * 2/2009 Isogai D18/55
- 7,488,125 B2 * 2/2009 Takahashi G02B 6/2553
385/137
- D596,211 S * 7/2009 Sasaki D15/144
- D642,604 S * 8/2011 Rohrer D15/144
- D652,212 S * 1/2012 Takayanagi D3/263
- D652,850 S * 1/2012 Song D15/144
- 8,596,887 B2 * 12/2013 Song G02B 6/2553
385/135
- D698,389 S * 1/2014 Fukasawa D18/55

- D709,286 S * 7/2014 Takayanagi D3/263
- 8,939,660 B2 * 1/2015 Sato G02B 6/2553
385/137
- D733,217 S * 6/2015 Nishimura D18/55
- D746,885 S * 1/2016 Sato D15/144
- 9,341,777 B2 * 5/2016 Sato G02B 6/2553
- D759,138 S * 6/2016 Sato D15/144
- 9,513,439 B2 * 12/2016 Sasaki G02B 6/2553
- D780,841 S * 3/2017 Kim D18/55
- 2005/0276549 A1 * 12/2005 Tabata G02B 6/2551
385/96
- 2010/0272405 A1 * 10/2010 Song G02B 6/2553
385/96
- 2013/0236145 A1 * 9/2013 Sato G02B 6/2553
385/96
- 2014/0102642 A1 * 4/2014 Zhao G02B 6/2553
156/379.6
- 2014/0131326 A1 * 5/2014 Sato G02B 6/2557
219/121.58

(Continued)

Primary Examiner — Patricia Ann Palasik
(74) *Attorney, Agent, or Firm* — Anova Law Group, PLLC

(57) **CLAIM**

The ornamental design for an optical fiber fusion splicer, as shown and described.

DESCRIPTION

FIG. 1 is a front elevational view of an optical fiber fusion splicer according to the present design; FIG. 2 is a rear elevational view thereof; FIG. 3 is a left side elevational view thereof; FIG. 4 is a right side elevational view thereof; FIG. 5 is a top plan view thereof; FIG. 6 is a first perspective view thereof; FIG. 7 is a second perspective view thereof; FIG. 8 is a third perspective view thereof; and, FIG. 9 is a fourth perspective view thereof.

1 Claim, 9 Drawing Sheets



(56)

References Cited

U.S. PATENT DOCUMENTS

2015/0185419 A1* 7/2015 Kawanishi G02B 6/2558
385/96
2017/0242193 A1* 8/2017 Akiyama G02B 6/2555

* cited by examiner



FIG. 1

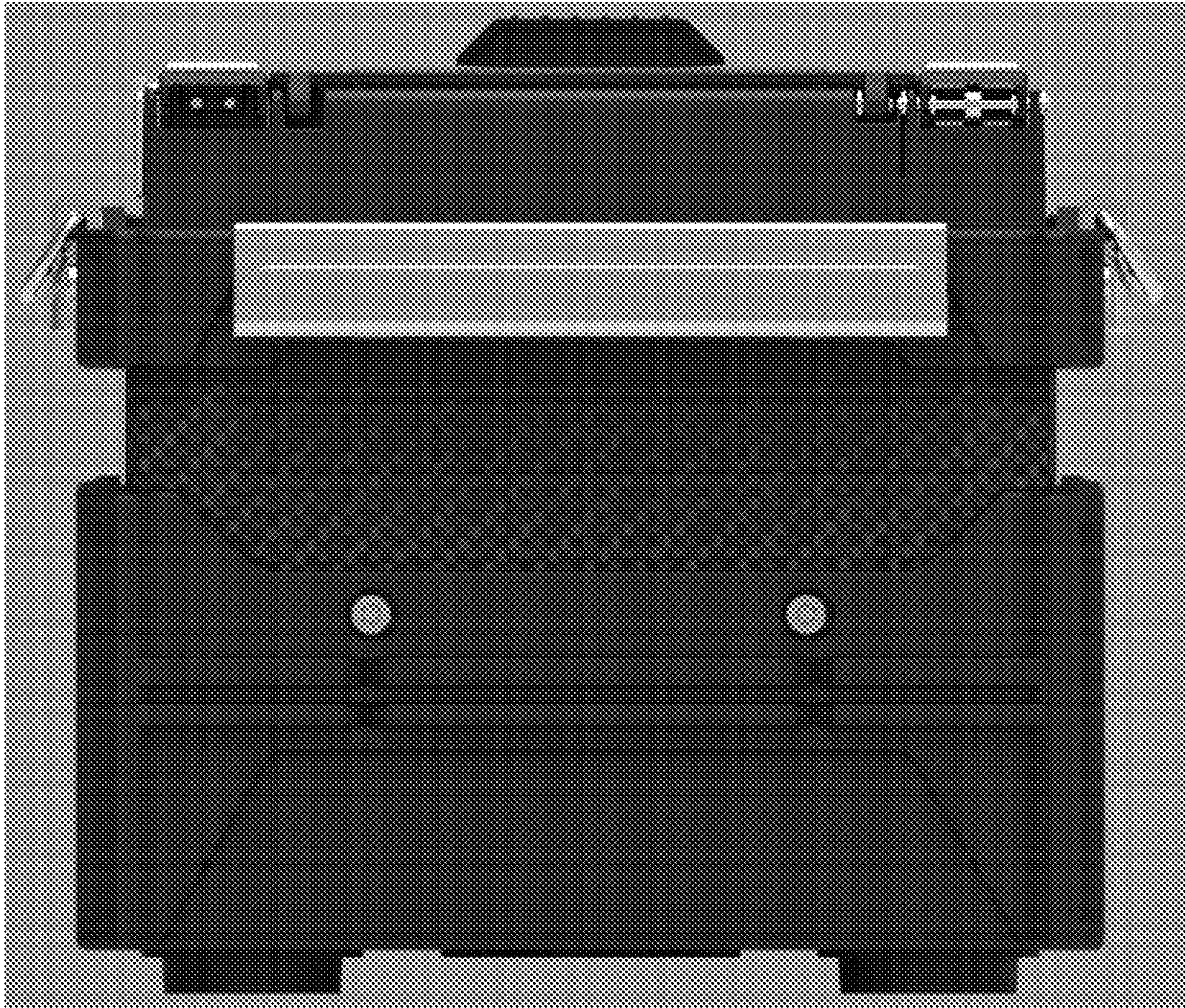


FIG. 2

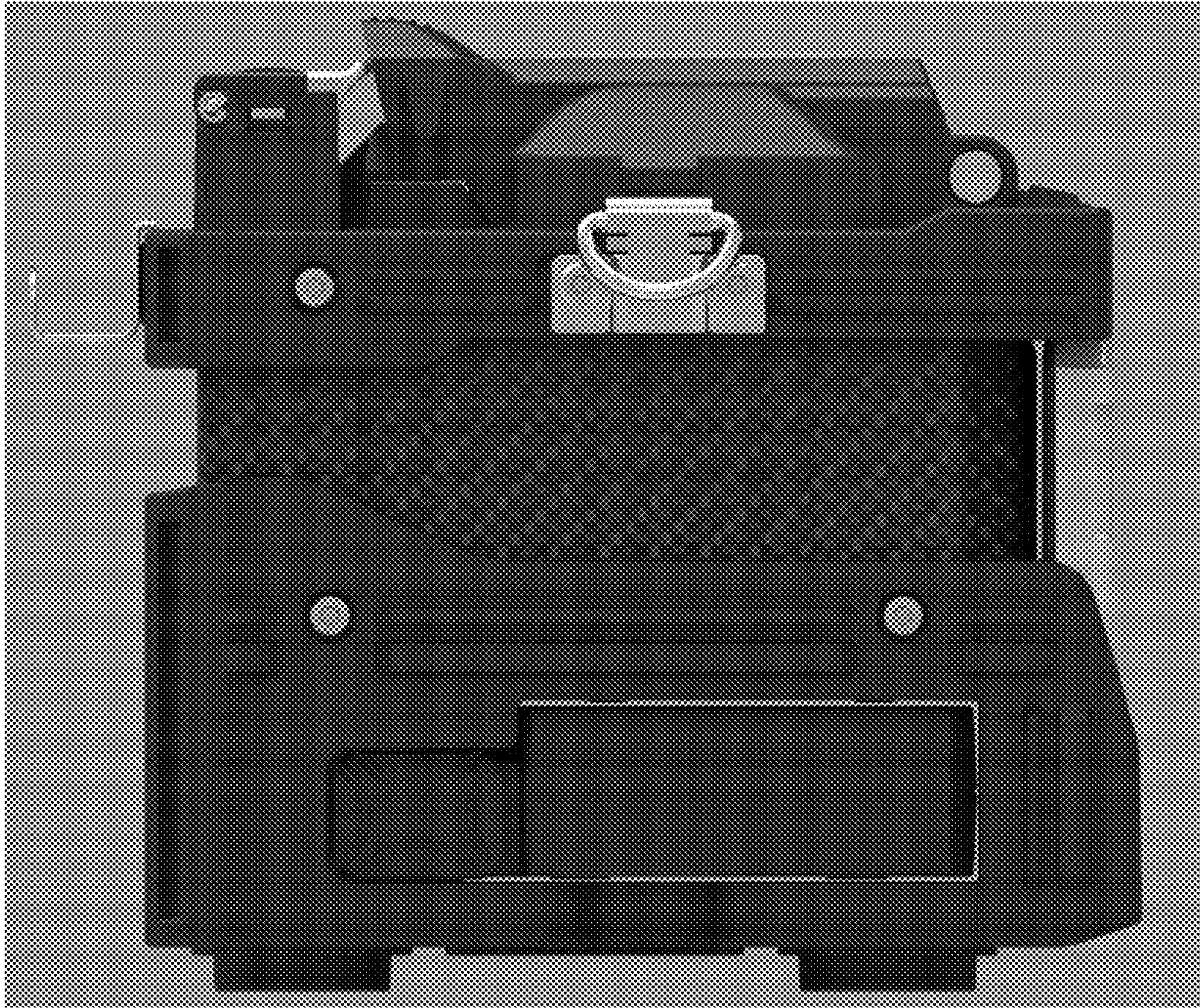


FIG. 3



FIG. 4

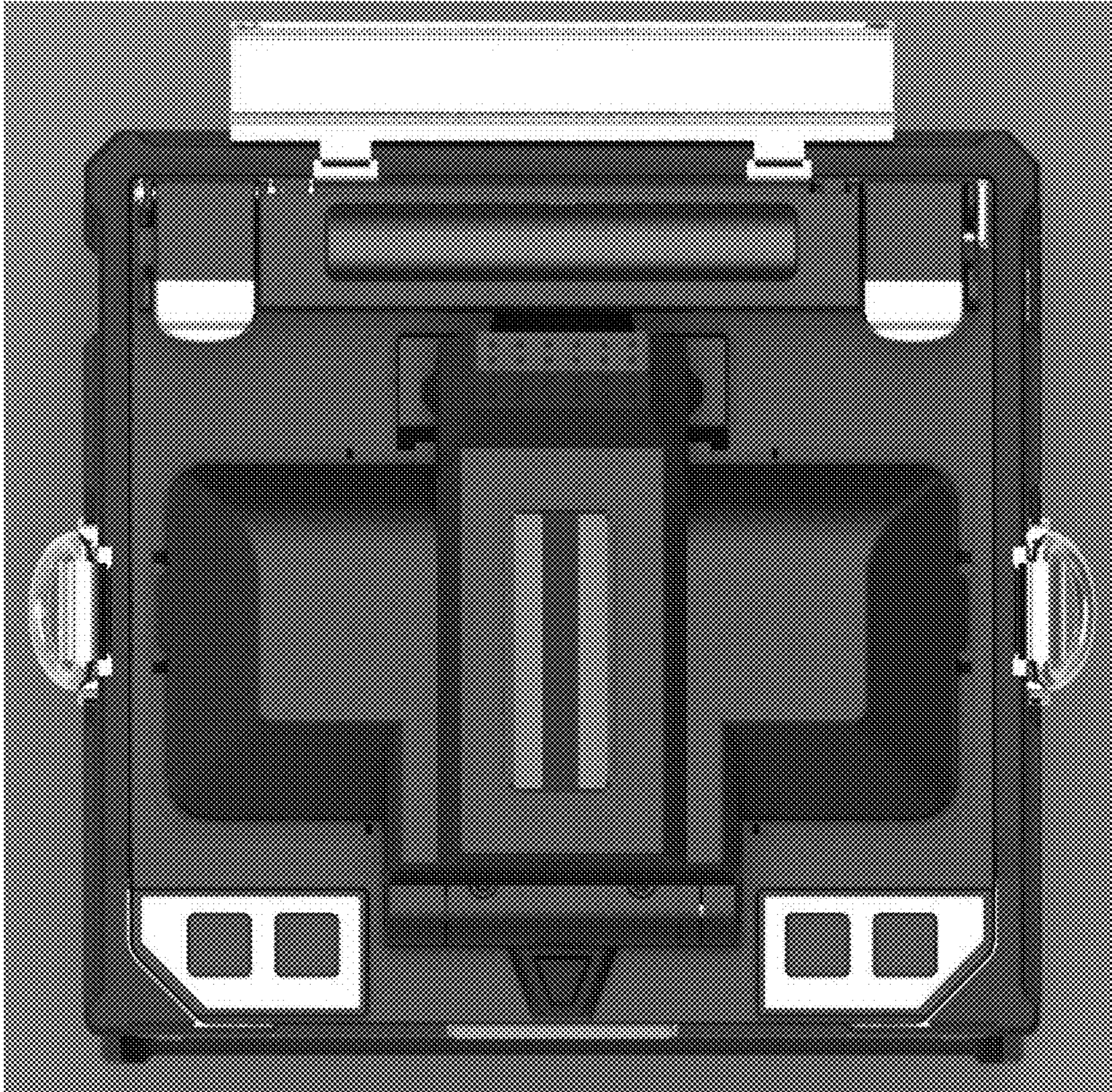


FIG. 5



FIG. 6



FIG. 7



FIG. 8



FIG. 9