



US00D825628S

(12) **United States Design Patent** (10) **Patent No.:** **US D825,628 S**  
**Mackey et al.** (45) **Date of Patent:** **\*\* Aug. 14, 2018**

- (54) **RESIN INJECTOR** 3,049,760 A \* 8/1962 Brendel ..... B30B 11/16  
264/294
- (71) Applicant: **Glas-Weld Systems, Inc.,** Bend, OR D231,487 S \* 4/1974 Pracilio ..... D15/135  
(US) D231,709 S \* 5/1974 Pracilio ..... D15/135  
3,885,678 A \* 5/1975 Borg ..... B23Q 7/04  
414/618
- (72) Inventors: **Randy Mackey,** Bend, OR (US); **Seth Schuepbach,** Bend, OR (US); **Brad Plumb,** Bend, OR (US); **Shiloh Spoo,** Bend, OR (US); **Dominik Scheffler,** Bend, OR (US) D266,327 S \* 9/1982 Haight ..... D15/135  
5,225,020 A \* 7/1993 Millett ..... B29C 33/04  
156/166
- (73) Assignee: **GLAS-WELD SYSTEMS, INC.,** Bend, OR (US) D367,282 S \* 2/1996 Yarbrough ..... D15/199  
5,494,380 A \* 2/1996 Morrison ..... B05C 17/005  
405/259.6
- (\*\*) Term: **15 Years** 5,626,261 A \* 5/1997 Wanstrath ..... B29C 73/025  
118/256
- (21) Appl. No.: **29/604,484** 5,759,326 A \* 6/1998 Vigneau ..... B65H 19/29  
156/187
- (22) Filed: **May 17, 2017** 5,858,417 A \* 1/1999 Bosshart ..... A61C 13/04  
249/54

**Related U.S. Application Data**

- (63) Continuation-in-part of application No. PCT/US2017/026420, filed on Apr. 6, 2017.
- (51) **LOC (11) Cl.** ..... **15-09**
- (52) **U.S. Cl.**  
USPC ..... **D15/135**
- (58) **Field of Classification Search**  
USPC ..... D15/135, 136, 138, 199  
CPC ..... B29C 33/04; B29C 70/523; B29C 70/525;  
Y10T 156/1798  
See application file for complete search history.

**References Cited**

**U.S. PATENT DOCUMENTS**

- D119,612 S \* 3/1940 Ernst et al. .... D15/135
- D124,656 S \* 1/1941 Stewart et al. .... D15/135
- 2,433,654 A \* 12/1947 Dinzl ..... B29C 45/0416  
425/150
- 2,967,328 A \* 1/1961 Shelby ..... B29C 31/004  
425/164

- D651,623 S \* 1/2012 Stillwell ..... D15/135

(Continued)

*Primary Examiner* — Patricia A Palasik  
(74) *Attorney, Agent, or Firm* — Donn K. Harms

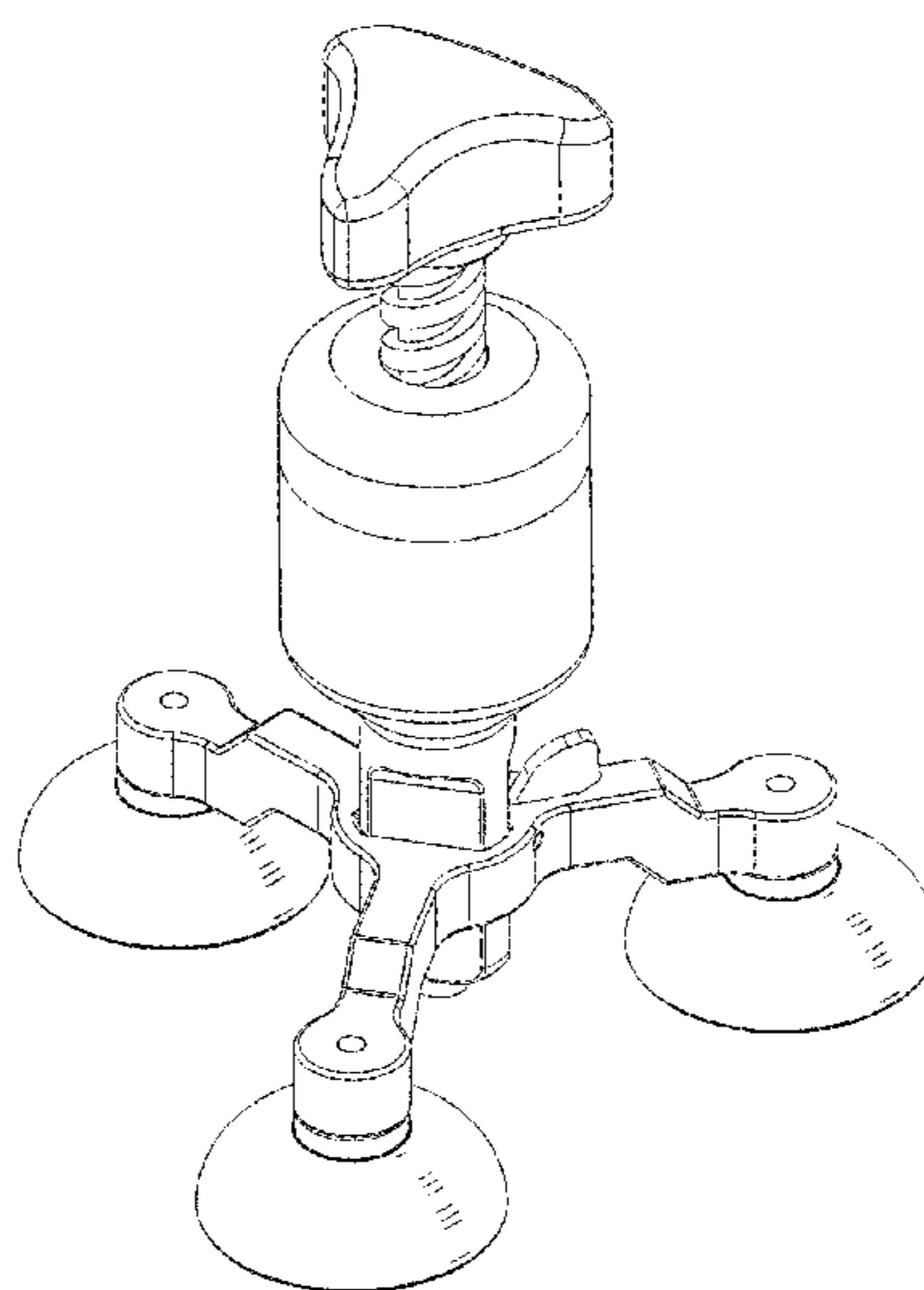
(57) **CLAIM**

The ornamental design for a resin injector, as shown and described.

**DESCRIPTION**

FIG. 1 is a perspective view of a resin injector showing our new design;  
FIG. 2 is a first side view thereof;  
FIG. 3 is a second side view thereof;  
FIG. 4 is a third side view thereof;  
FIG. 5 is a bottom plan view thereof; and,  
FIG. 6 is a top plan view thereof.

**1 Claim, 6 Drawing Sheets**



(56)

**References Cited**

U.S. PATENT DOCUMENTS

2008/0282973 A1\* 11/2008 Bagung ..... B05C 5/0266  
118/302  
2009/0188604 A1\* 7/2009 Ganzer ..... B05C 5/0212  
156/69  
2010/0064967 A1\* 3/2010 Luebbecke ..... B05C 5/0233  
118/300  
2010/0104681 A1\* 4/2010 Dagorn ..... B29C 33/0083  
425/170  
2010/0289171 A1\* 11/2010 Balboni ..... B29C 31/048  
264/148  
2011/0024952 A1\* 2/2011 Stoiber ..... B29C 49/42  
264/523

\* cited by examiner

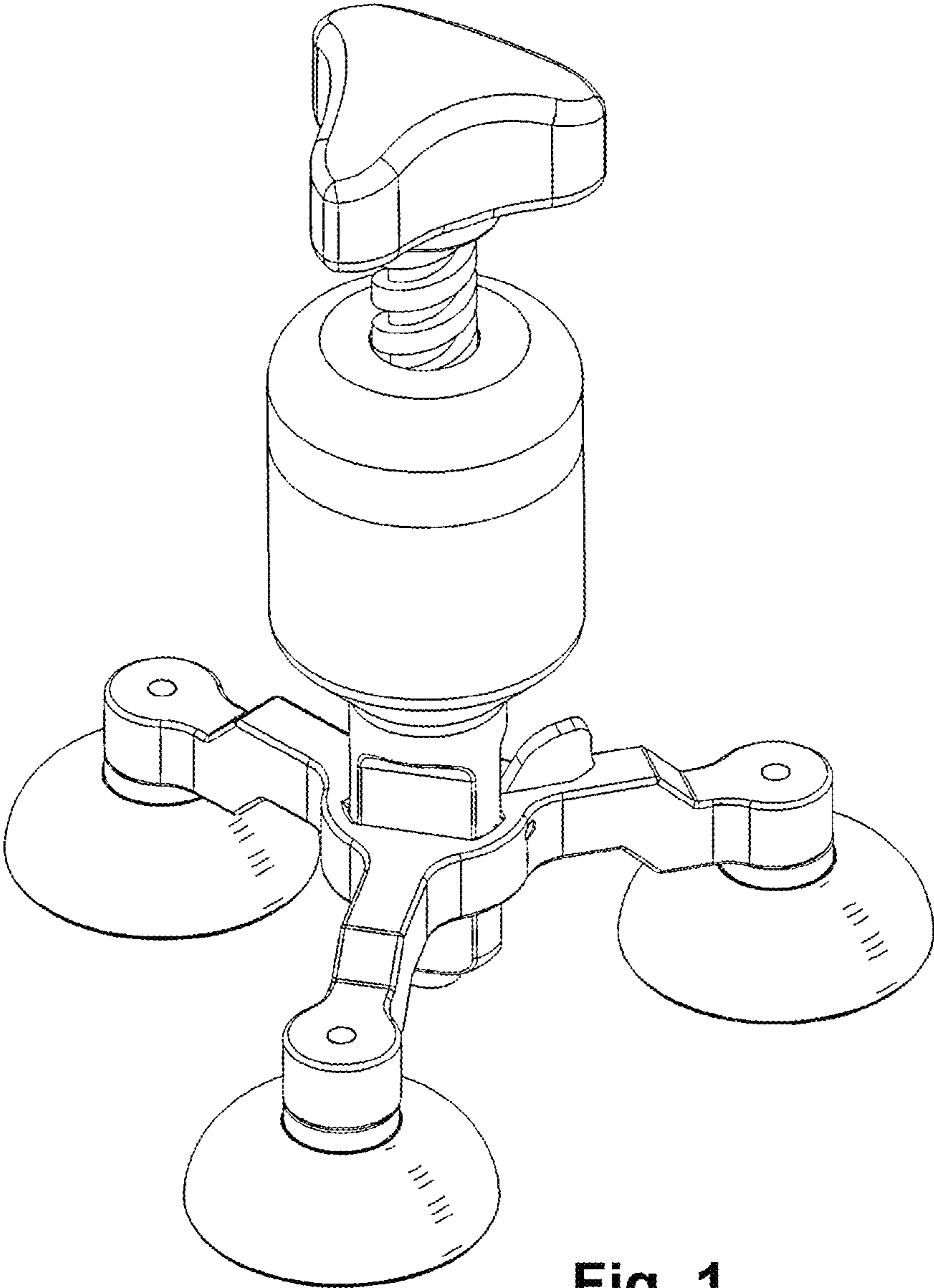


Fig. 1

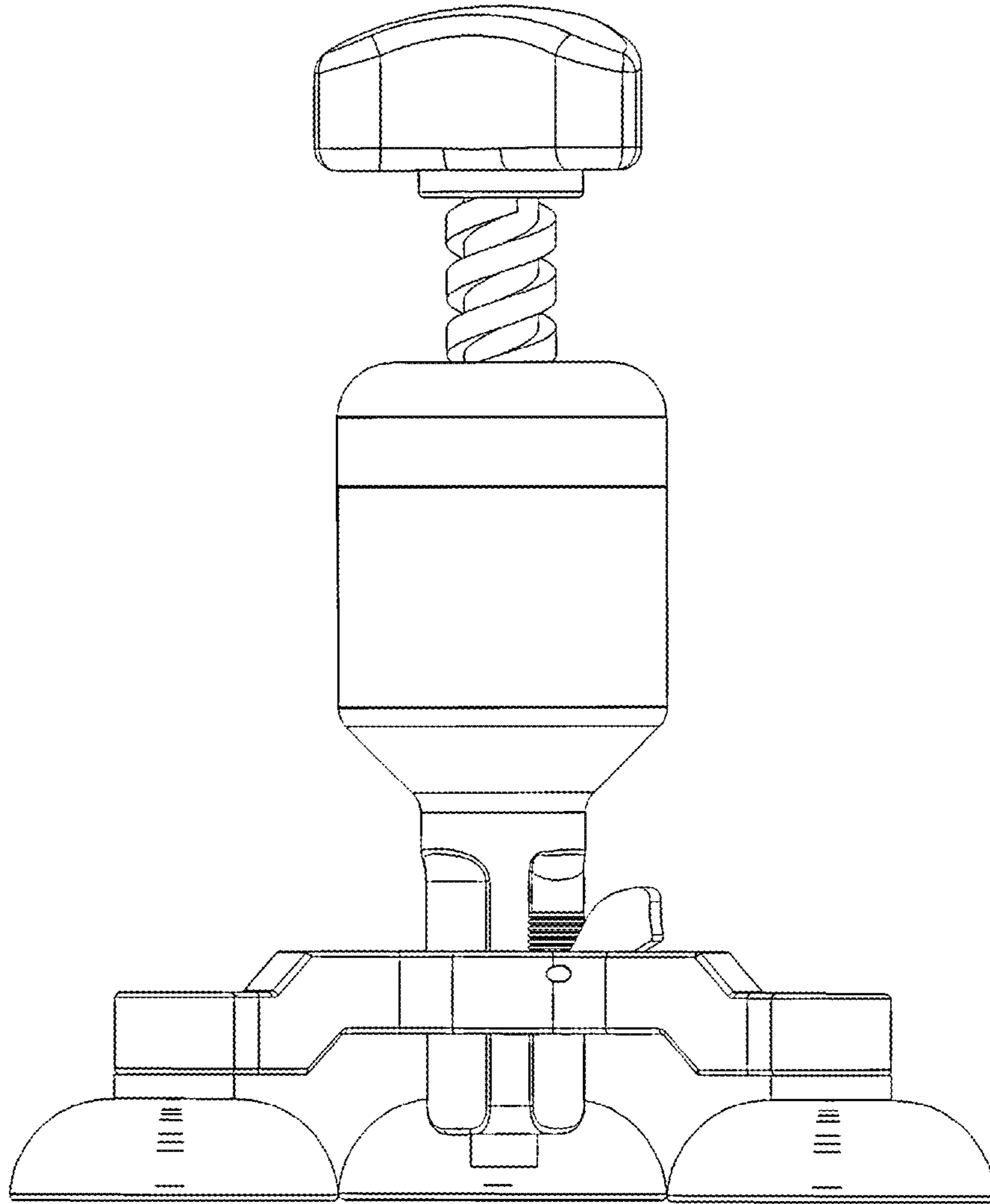
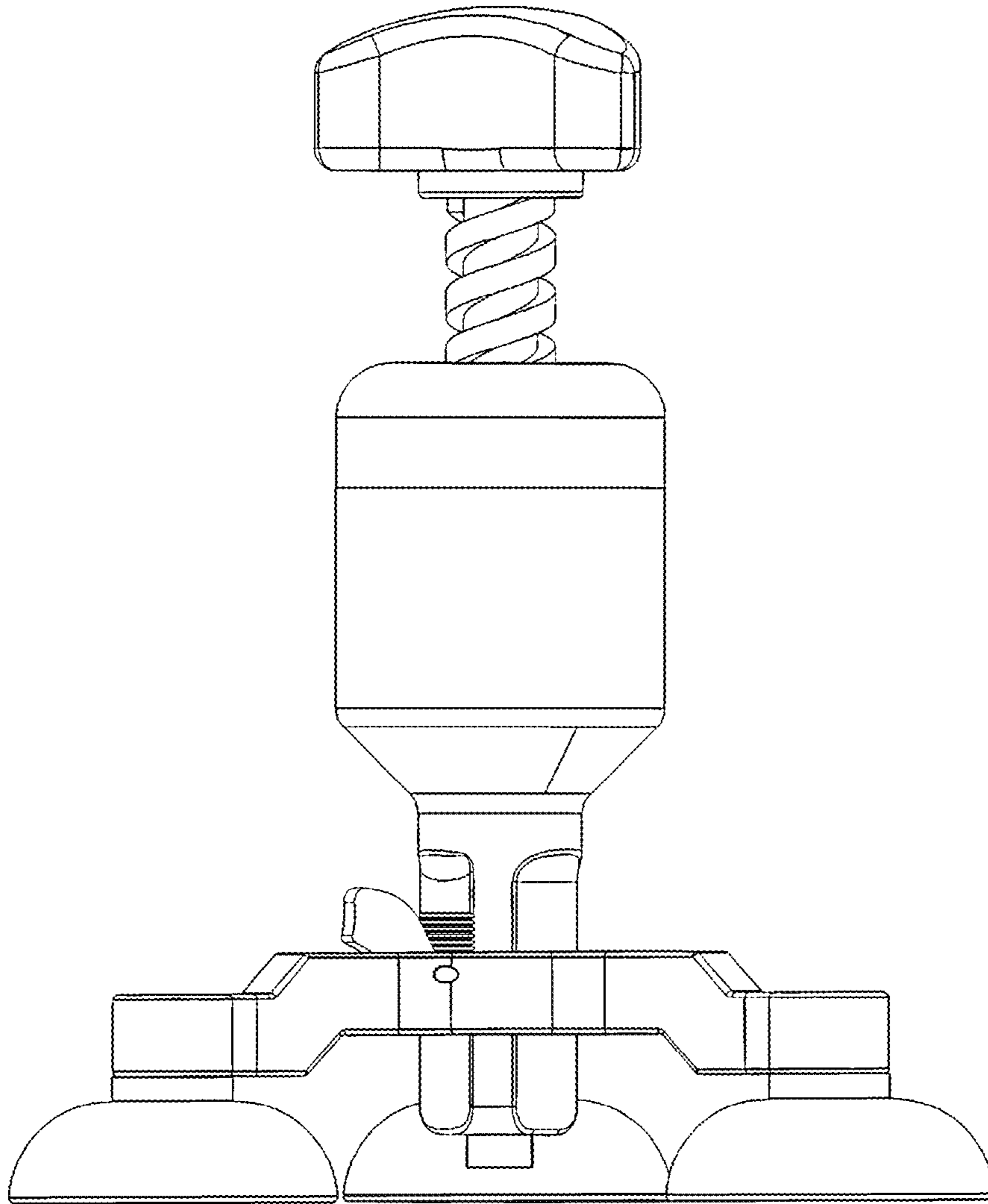
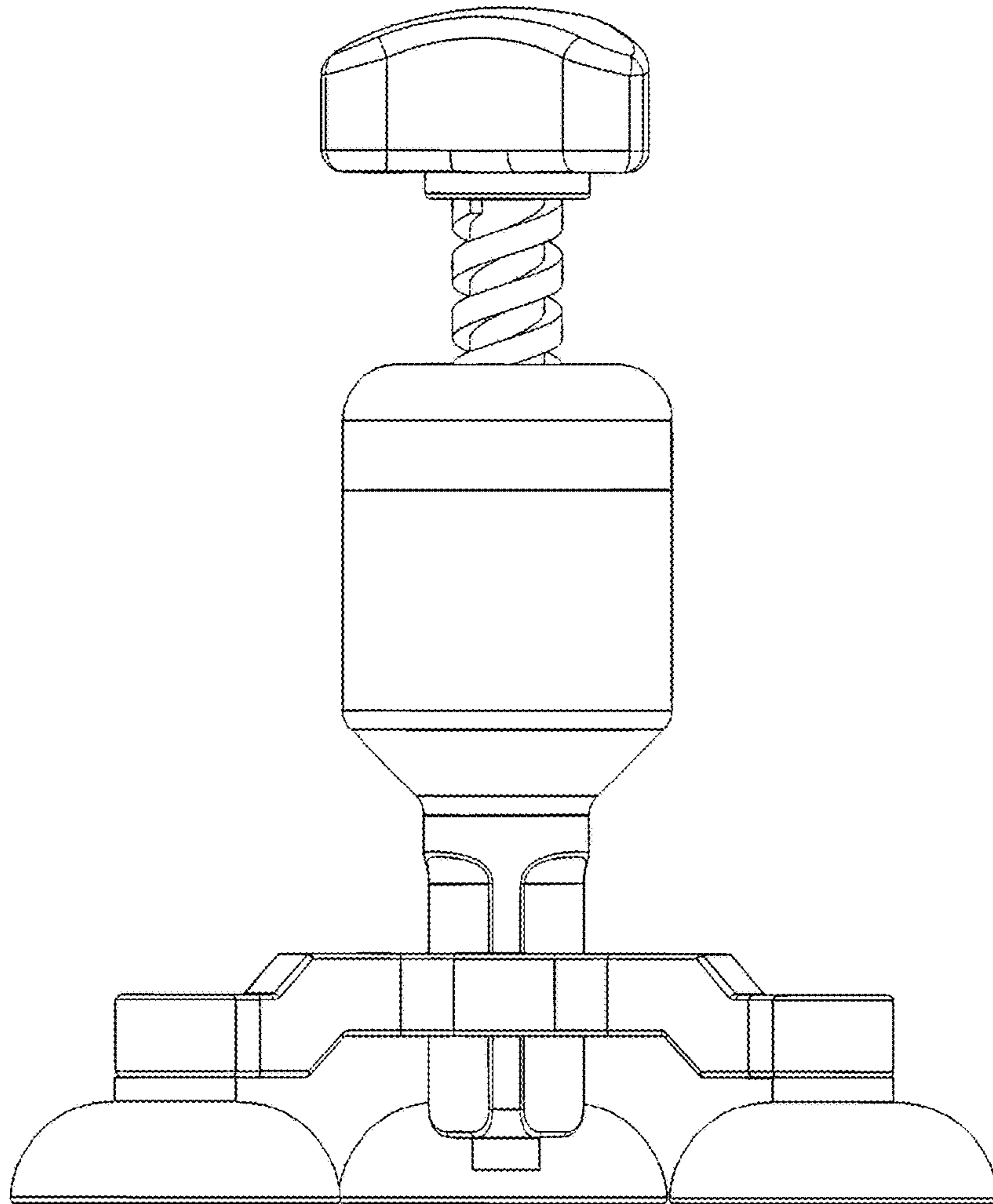


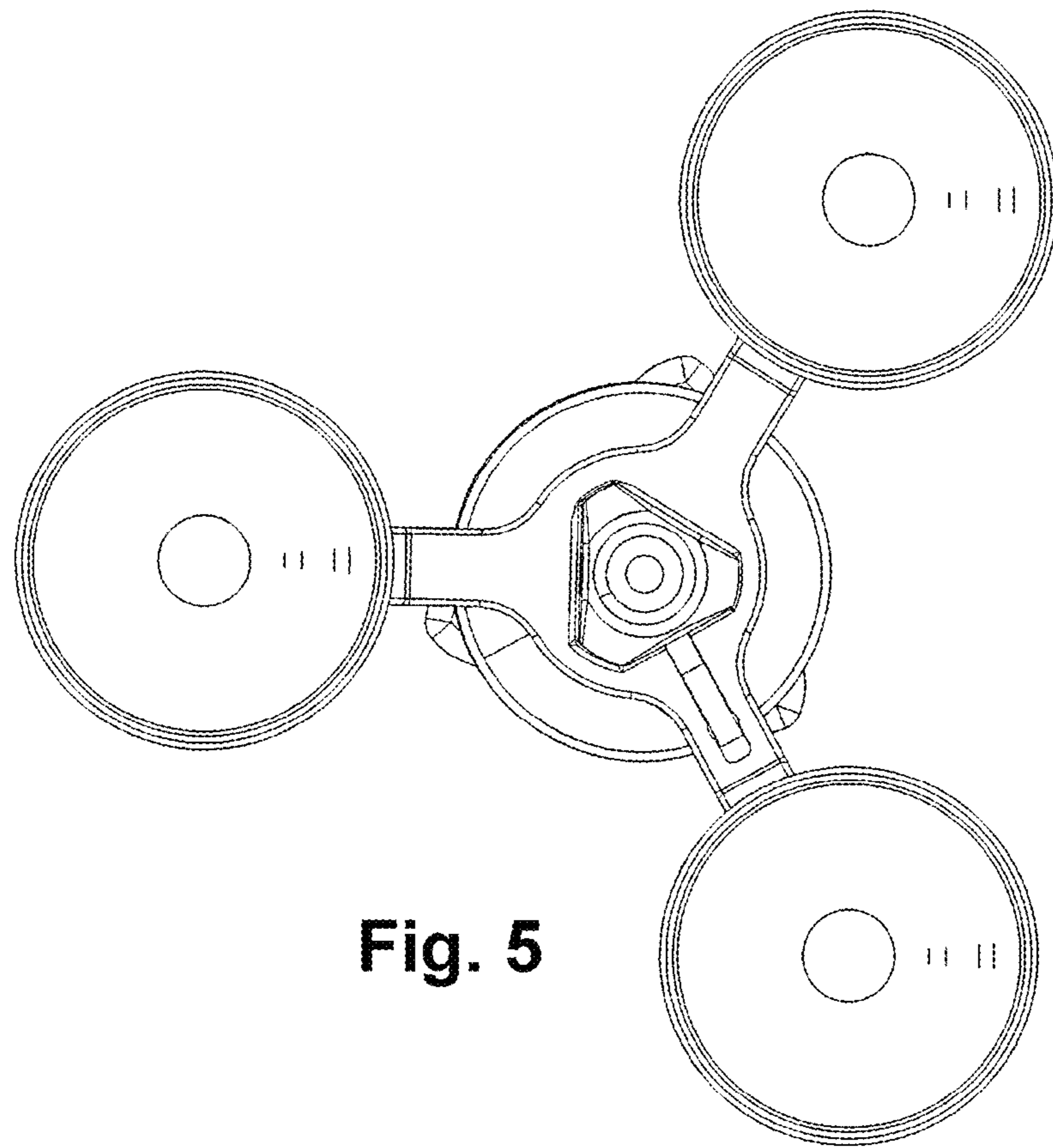
Fig. 2



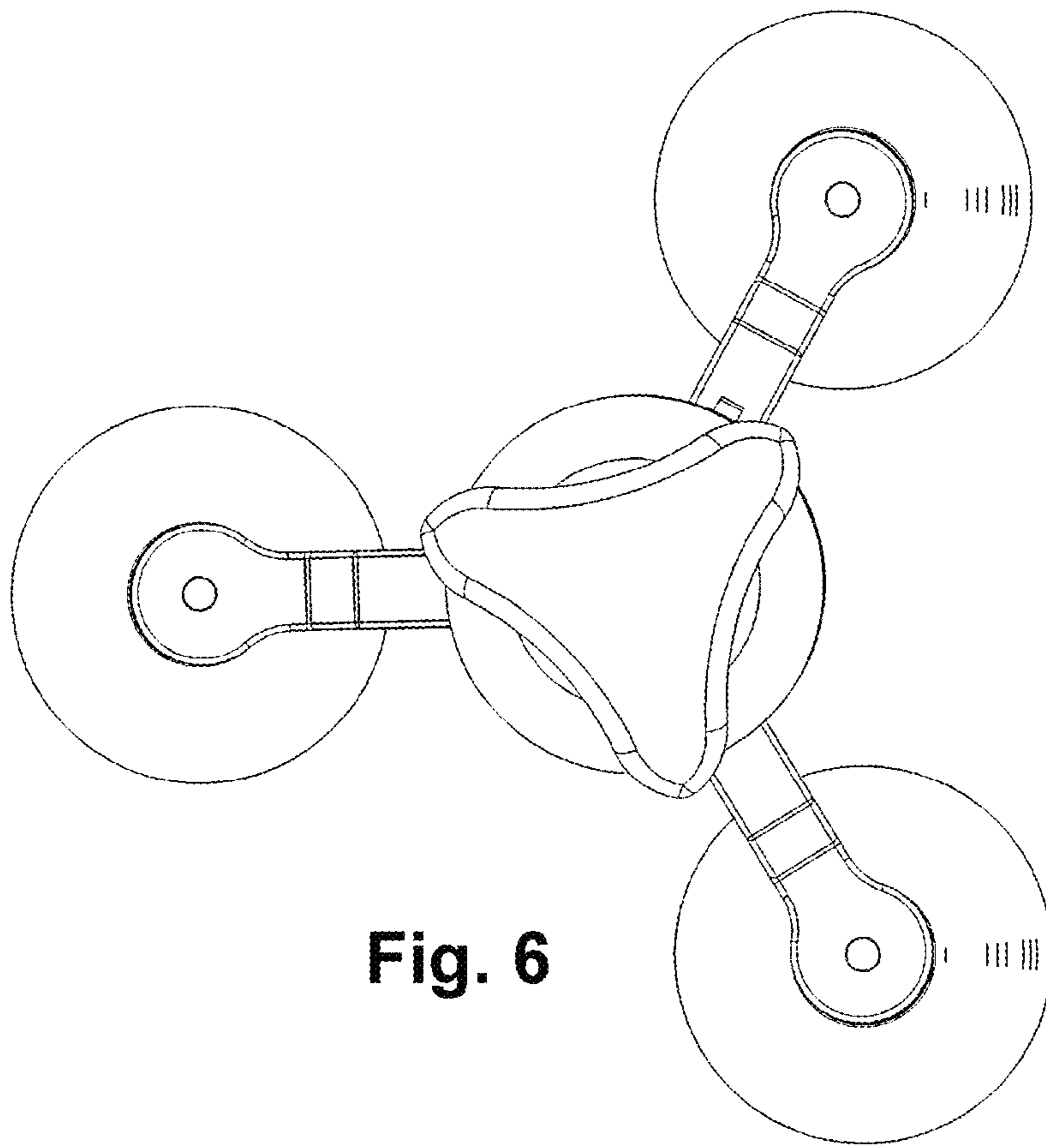
**Fig. 3**



**Fig. 4**



**Fig. 5**



**Fig. 6**