



US00D825627S

(12) **United States Design Patent**
Ohse

(10) **Patent No.:** **US D825,627 S**

(45) **Date of Patent:** **** Aug. 14, 2018**

(54) **CAN HOLDER FOR A CAN
MANUFACTURING APPARATUS**

(71) Applicant: **UNIVERSAL CAN CORPORATION,**
Tokyo (JP)

(72) Inventor: **Tetsuya Ohse, Yuki (JP)**

(73) Assignee: **UNIVERSAL CAN CORPORATION,**
Tokyo (JP)

(**) Term: **15 Years**

(21) Appl. No.: **29/596,558**

(22) Filed: **Mar. 9, 2017**

(30) **Foreign Application Priority Data**

Jan. 30, 2017 (JP) 2017-001565

(51) **LOC (11) Cl.** **15-09**

(52) **U.S. Cl.**
USPC **D15/122**

(58) **Field of Classification Search**
USPC D15/122, 128, 139, 141
CPC B21D 51/2638; B21D 51/2669; B21D
51/2692

See application file for complete search history.

(56) **References Cited**

U.S. PATENT DOCUMENTS

- 1,593,607 A * 7/1926 Small B21D 51/2615
413/26
- 1,962,269 A * 6/1934 Dodge B21D 51/2669
413/69
- 1,966,349 A * 7/1934 Kronquest B21D 51/2669
72/384
- 1,966,380 A * 7/1934 Dodge B21D 51/2669
413/76
- 1,984,600 A * 12/1934 Sedwick B21D 51/2669
72/177

- 2,189,004 A * 2/1940 Harwood B21D 51/2615
29/DIG. 43
- 2,206,296 A * 7/1940 Clark B21D 51/2615
72/107
- 2,383,523 A * 8/1945 Thornburghan,
IV B21D 51/2669
221/211
- 3,033,264 A * 5/1962 Henrickson B21D 51/2615
413/27
- 3,340,840 A * 9/1967 Lechner B21D 51/2615
72/325
- 3,468,153 A * 9/1969 Major B21D 41/04
413/8
- 3,782,314 A * 1/1974 Franek B21D 19/06
206/509
- 3,802,363 A * 4/1974 Langewis B21D 51/2615
72/466.7
- 4,535,618 A * 8/1985 Bulso, Jr. B21D 51/2692
72/17.3

(Continued)

Primary Examiner — Patricia A Palasik

(74) *Attorney, Agent, or Firm* — Sughrue Mion, PLLC

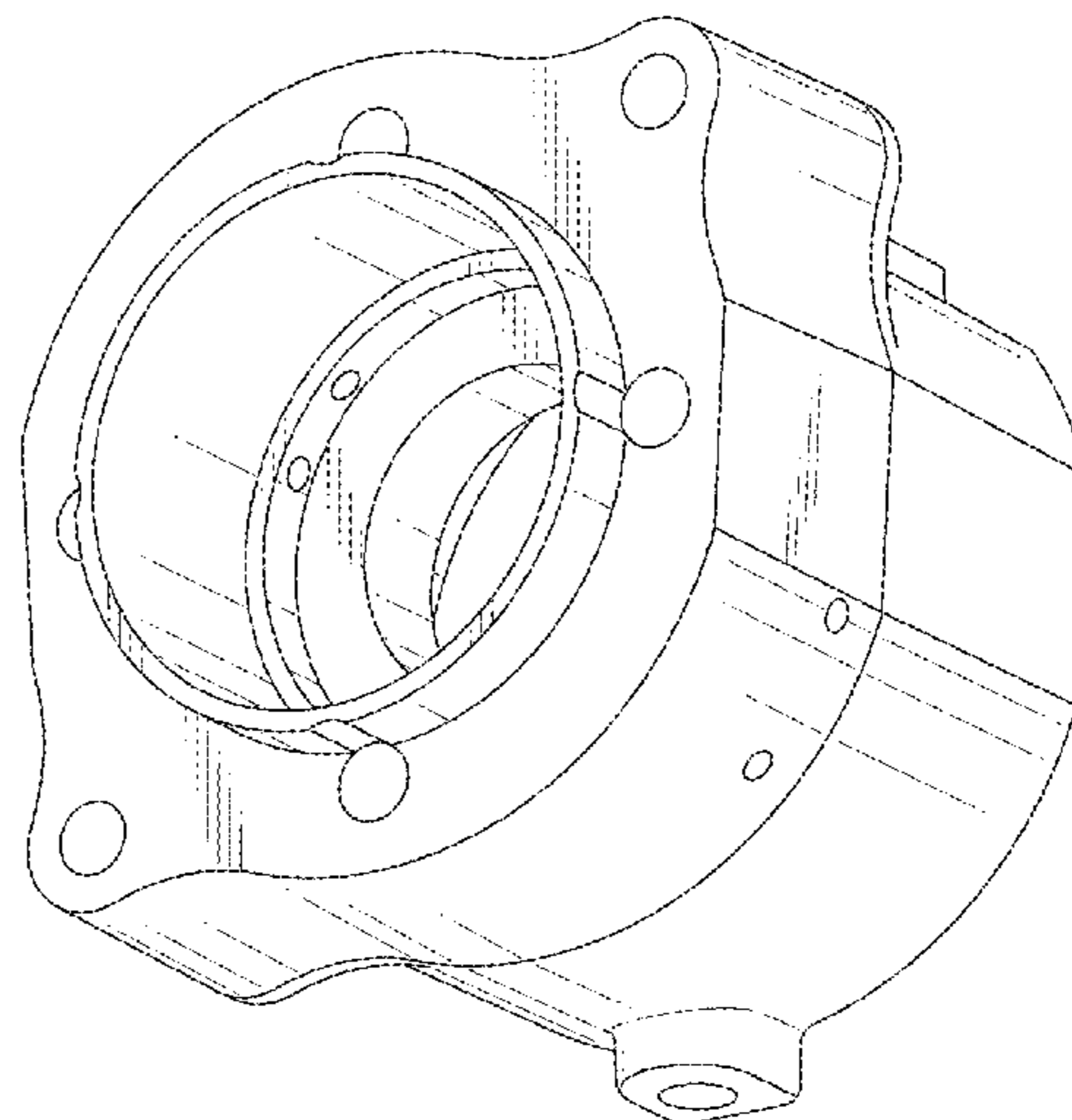
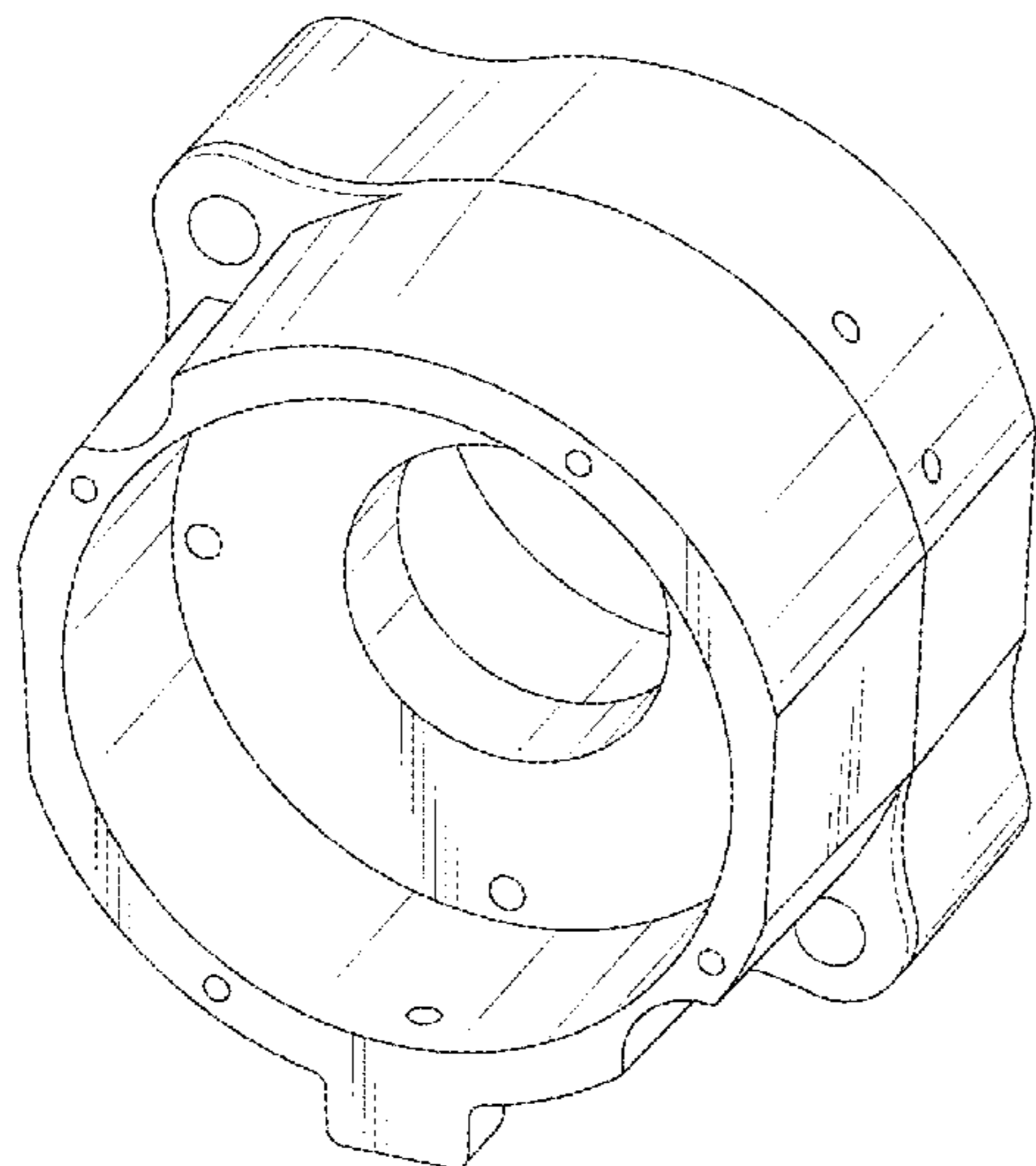
(57) **CLAIM**

The ornamental design for a can holder for a can manufacturing apparatus, as shown and described.

DESCRIPTION

FIG. 1 is a perspective view from the front and top side of a can holder for a can manufacturing apparatus.
 FIG. 2 is a perspective view from the rear and bottom side thereof.
 FIG. 3 is a front elevation view thereof.
 FIG. 4 is a rear elevation view thereof.
 FIG. 5 is a right side elevation view thereof.
 FIG. 6 is a left side elevation view thereof.
 FIG. 7 is a top plan view thereof.
 FIG. 8 is a bottom plan view thereof; and,
 FIG. 9 is a cross-sectional view taken along the line 9-9 in FIG. 3.

1 Claim, 9 Drawing Sheets



(56)

References Cited

U.S. PATENT DOCUMENTS

5,372,028 A *	12/1994	Brilman	B21D 51/2615	2014/0008856 A1 *	1/2014	Dunwoody	B21D 51/26
			72/113				269/21
5,400,635 A *	3/1995	Kawaguchi	B21D 22/28	2014/0260497 A1 *	9/2014	Fowler	B21D 51/2692
			72/349				72/348
6,296,139 B1 *	10/2001	Hanafusa	B21D 51/26	2014/0366605 A1 *	12/2014	Hosoi	B21D 51/2638
			220/608				72/370.25
6,357,982 B1 *	3/2002	Jowitt	B21D 51/2692	2015/0013422 A1 *	1/2015	Hosoi	B21D 51/26
			413/69				72/348
6,959,577 B2 *	11/2005	Jentzsch	B21D 51/26	2015/0013426 A1 *	1/2015	Larghi	B21D 51/2692
			72/110				72/422
9,744,633 B2 *	8/2017	Larghi	B23Q 3/065	2015/0082849 A1 *	3/2015	Babbitt	B21D 51/2692
9,878,365 B2 *	1/2018	Caylor	B21D 51/2615				72/112
2002/0153230 A1 *	10/2002	Cook	B21D 43/12	2015/0343516 A1 *	12/2015	Schremmer	B21D 51/2669
			198/803.8				72/349
2012/0060578 A1 *	3/2012	Weis	B21D 51/2638	2016/0263645 A1 *	9/2016	Caylor	B23D 19/08
			72/405.01	2017/0050230 A1 *	2/2017	Lee	B21D 26/14
				2017/0341128 A1 *	11/2017	Dick	B65D 1/023
				2018/0036786 A1 *	2/2018	Matsuo	B21D 43/14

* cited by examiner

FIG. 1

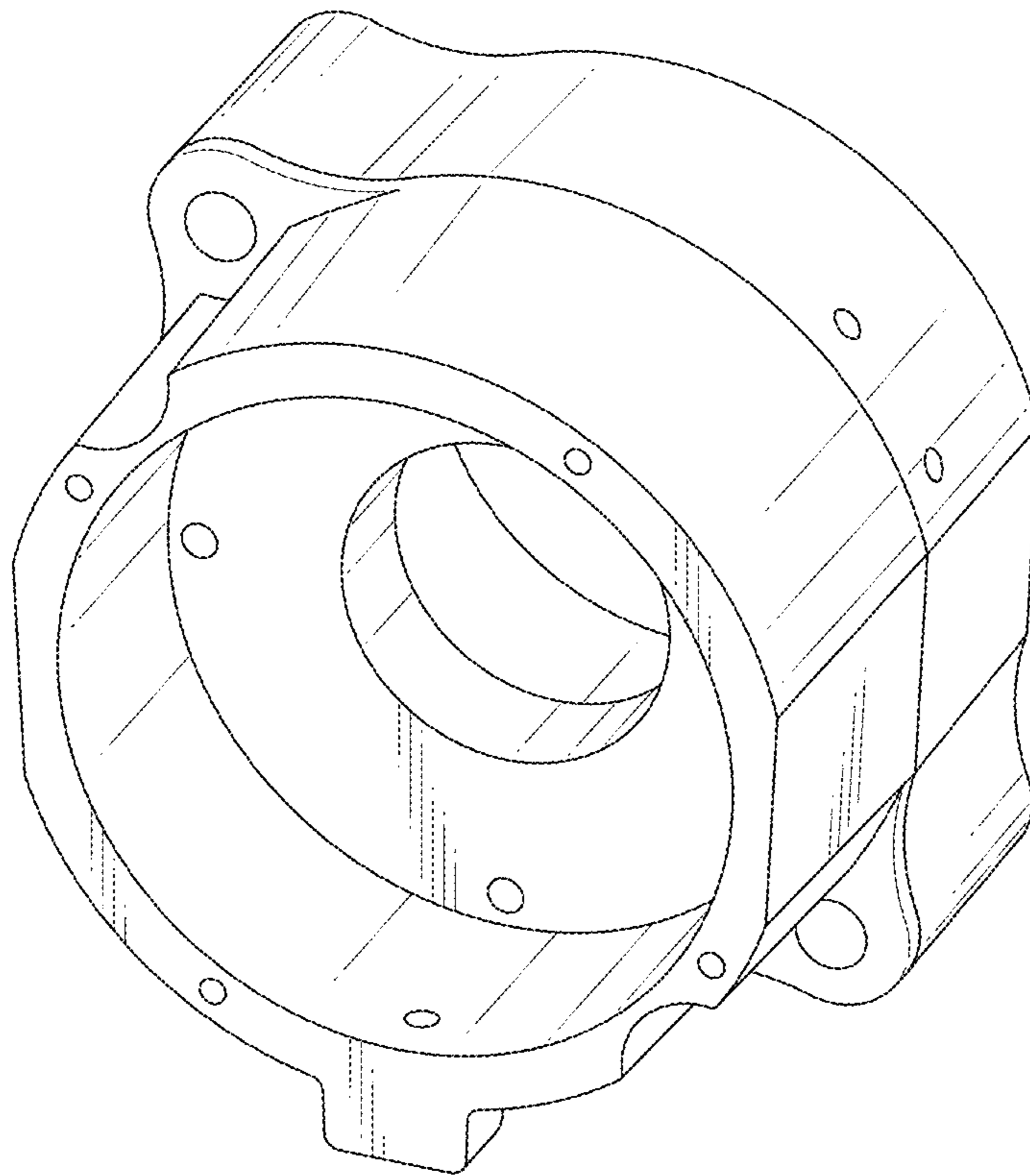


FIG. 2

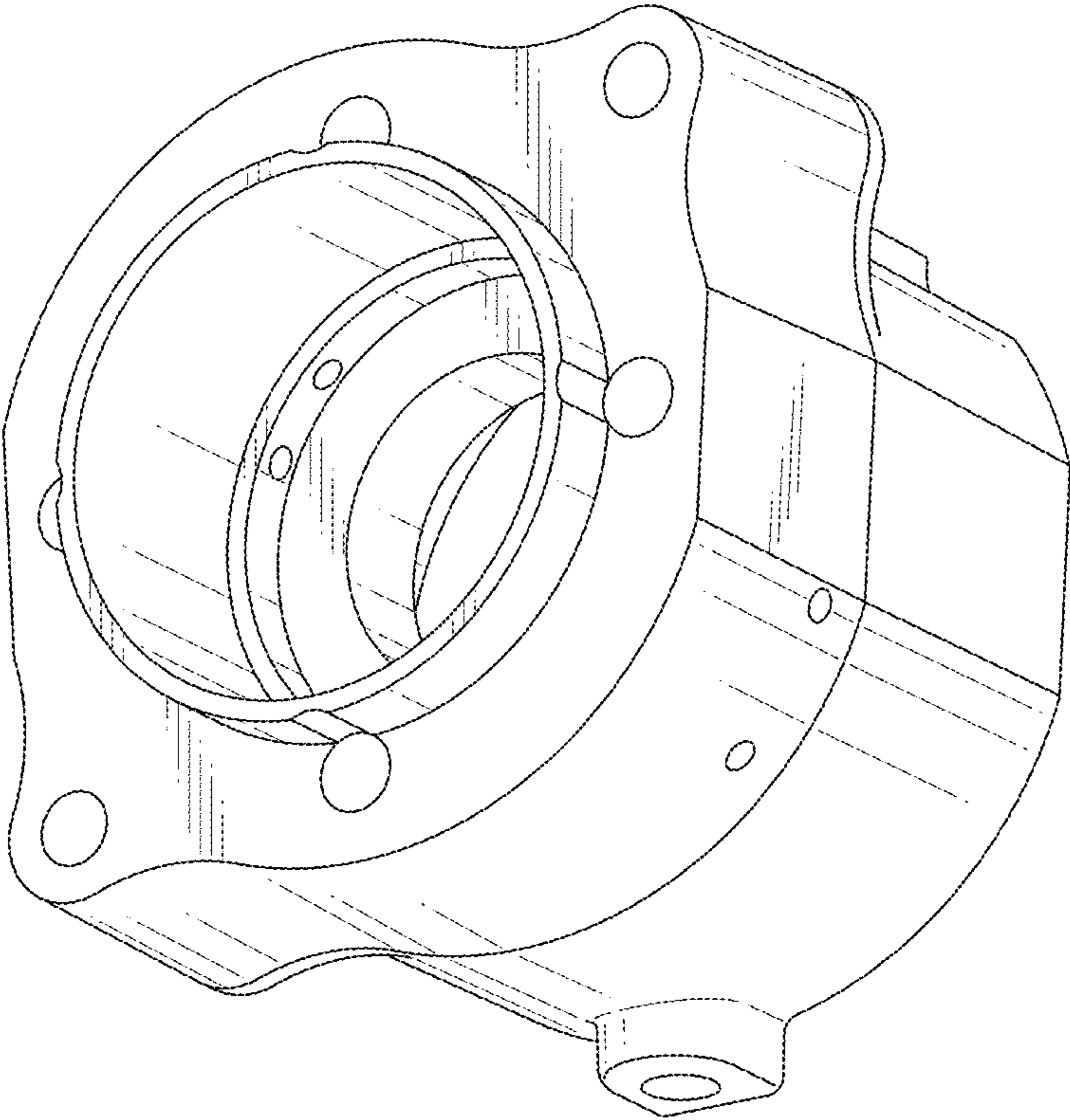


FIG. 3

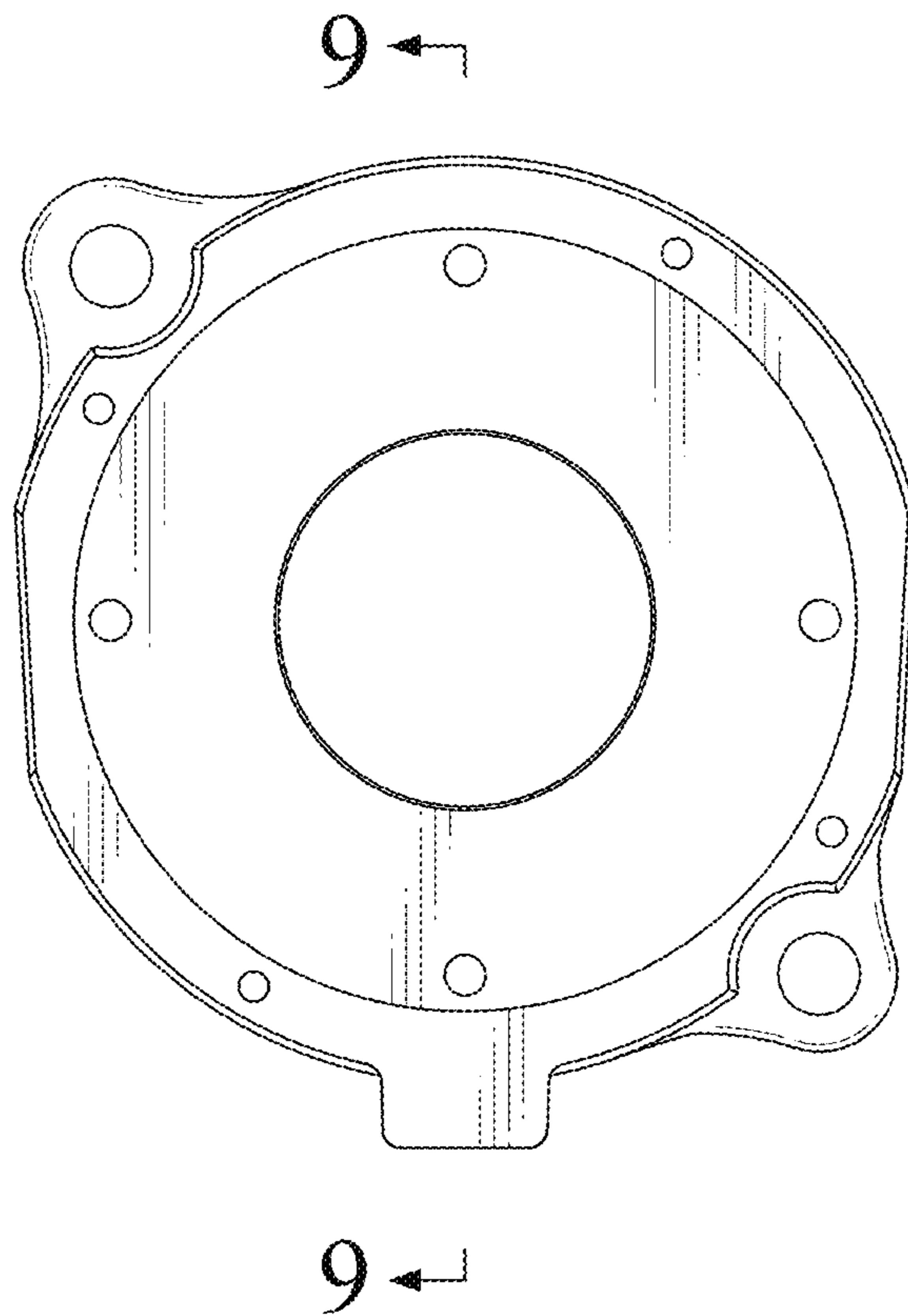


FIG. 4

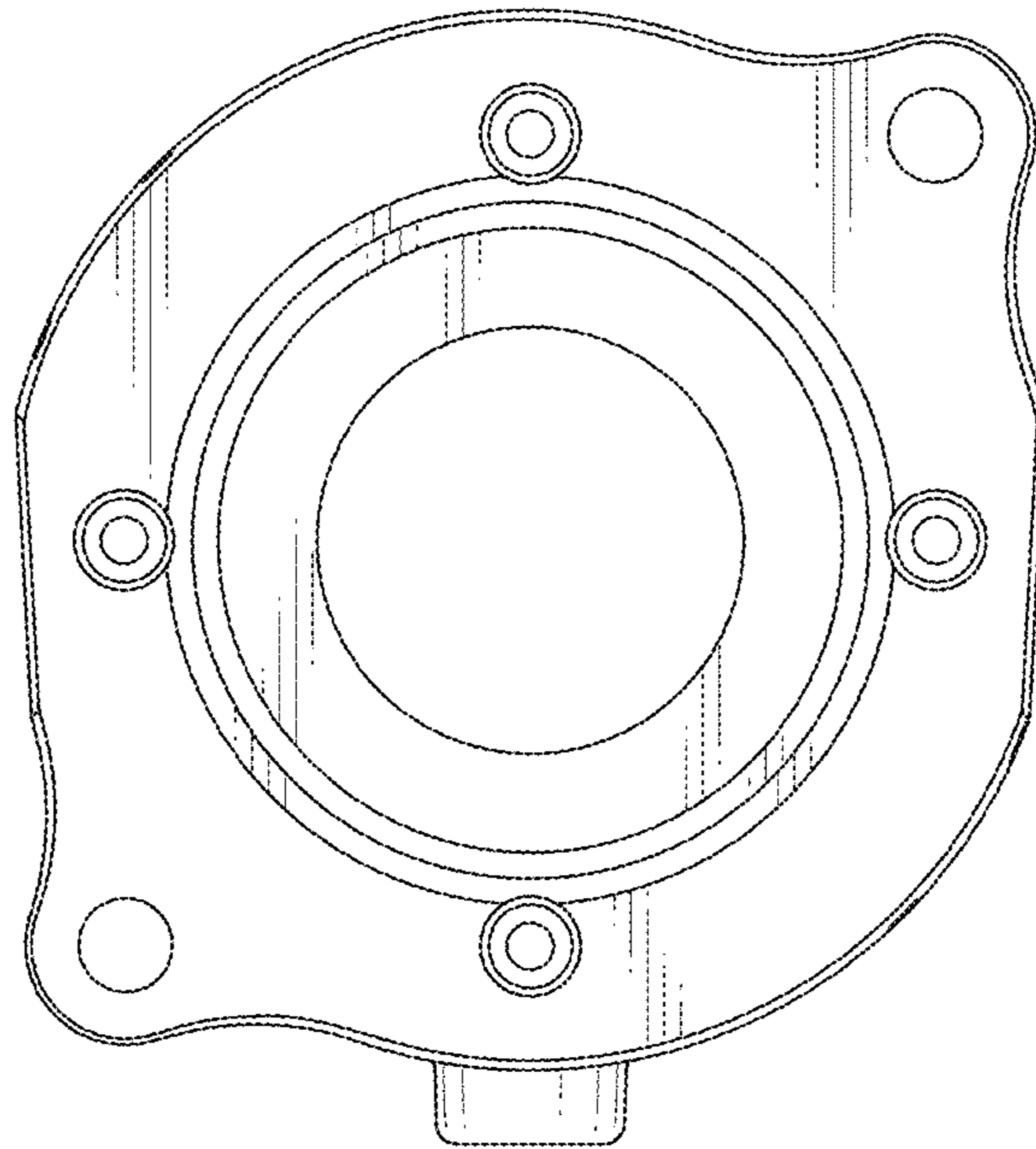


FIG. 5

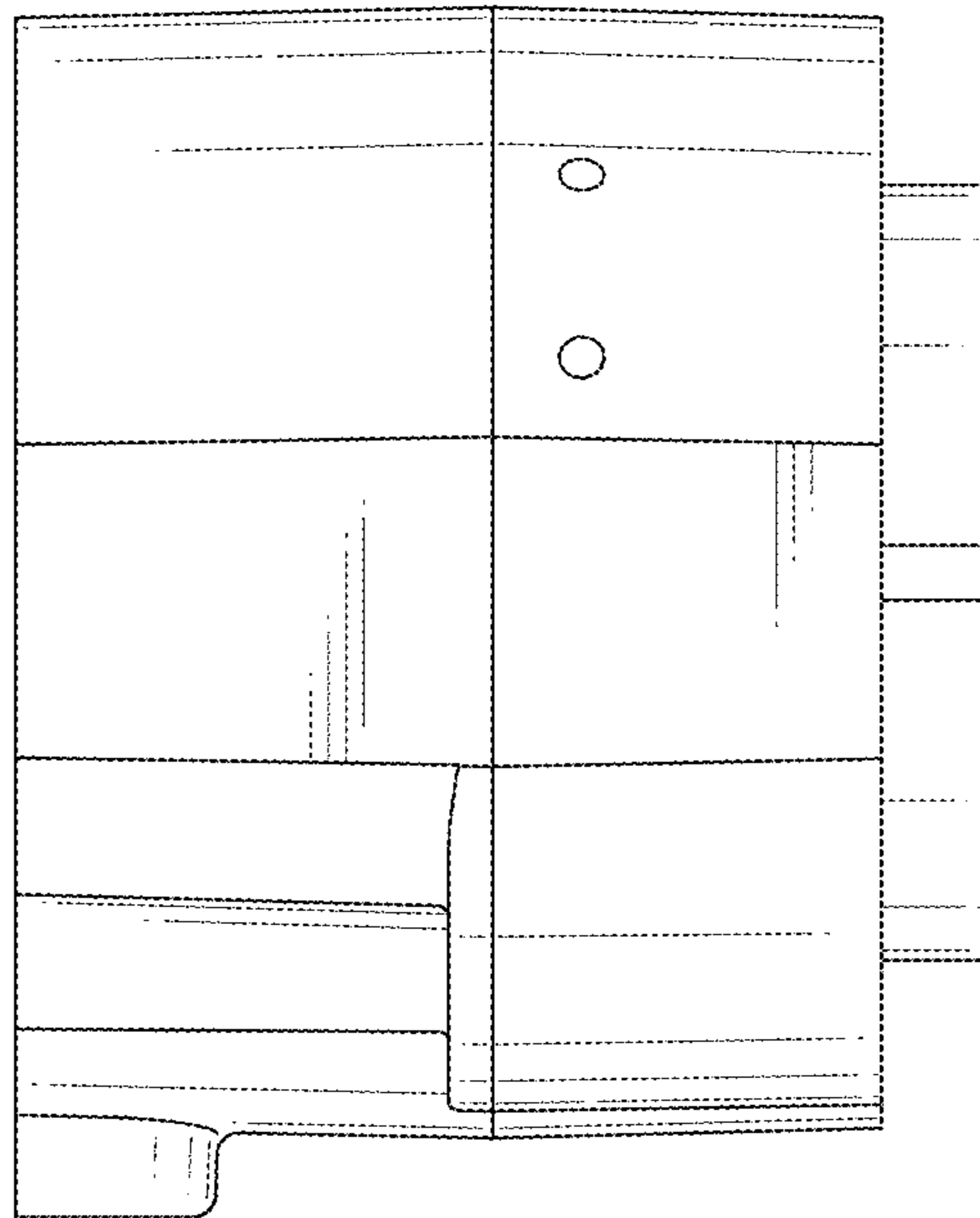


FIG. 6

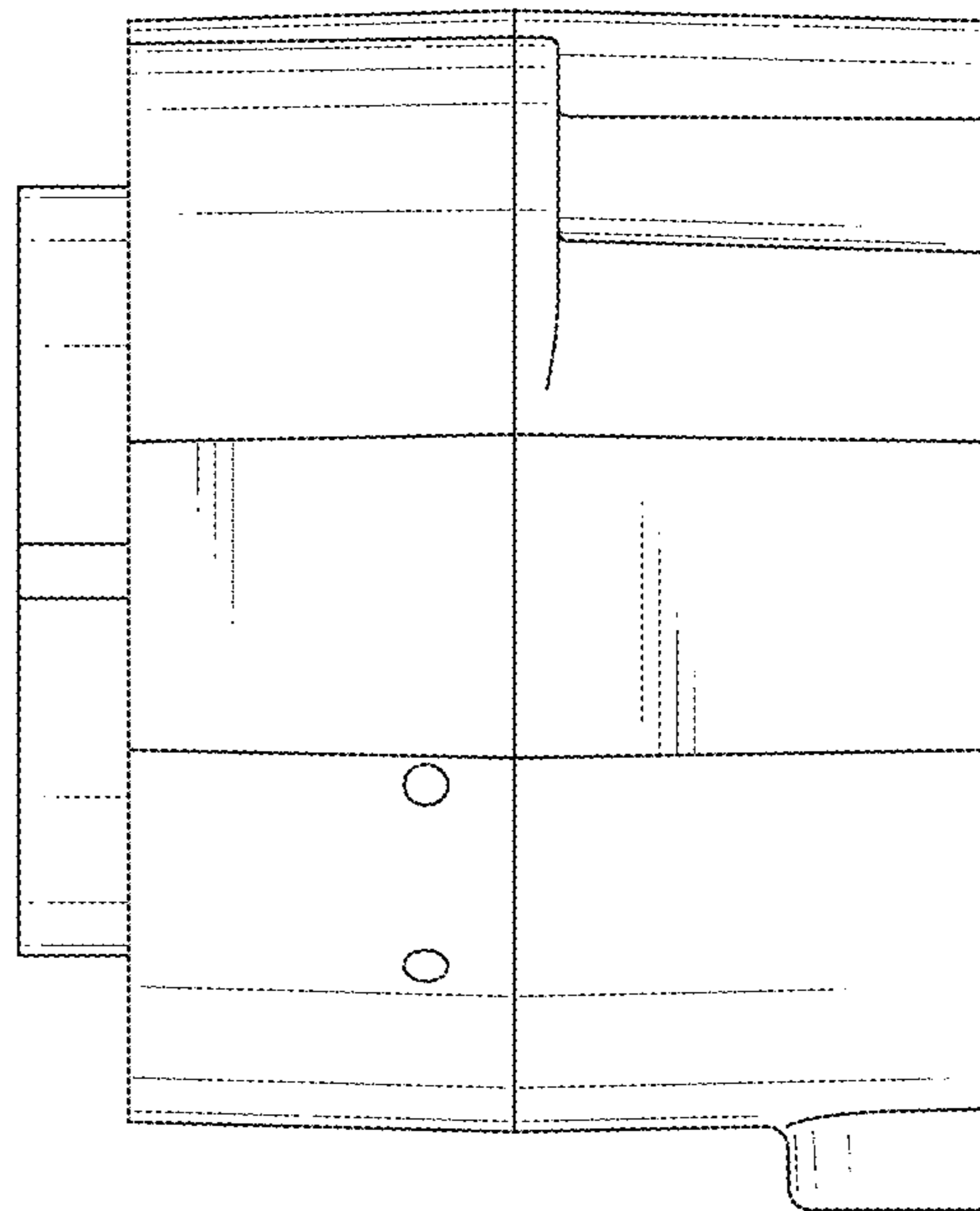


FIG. 7

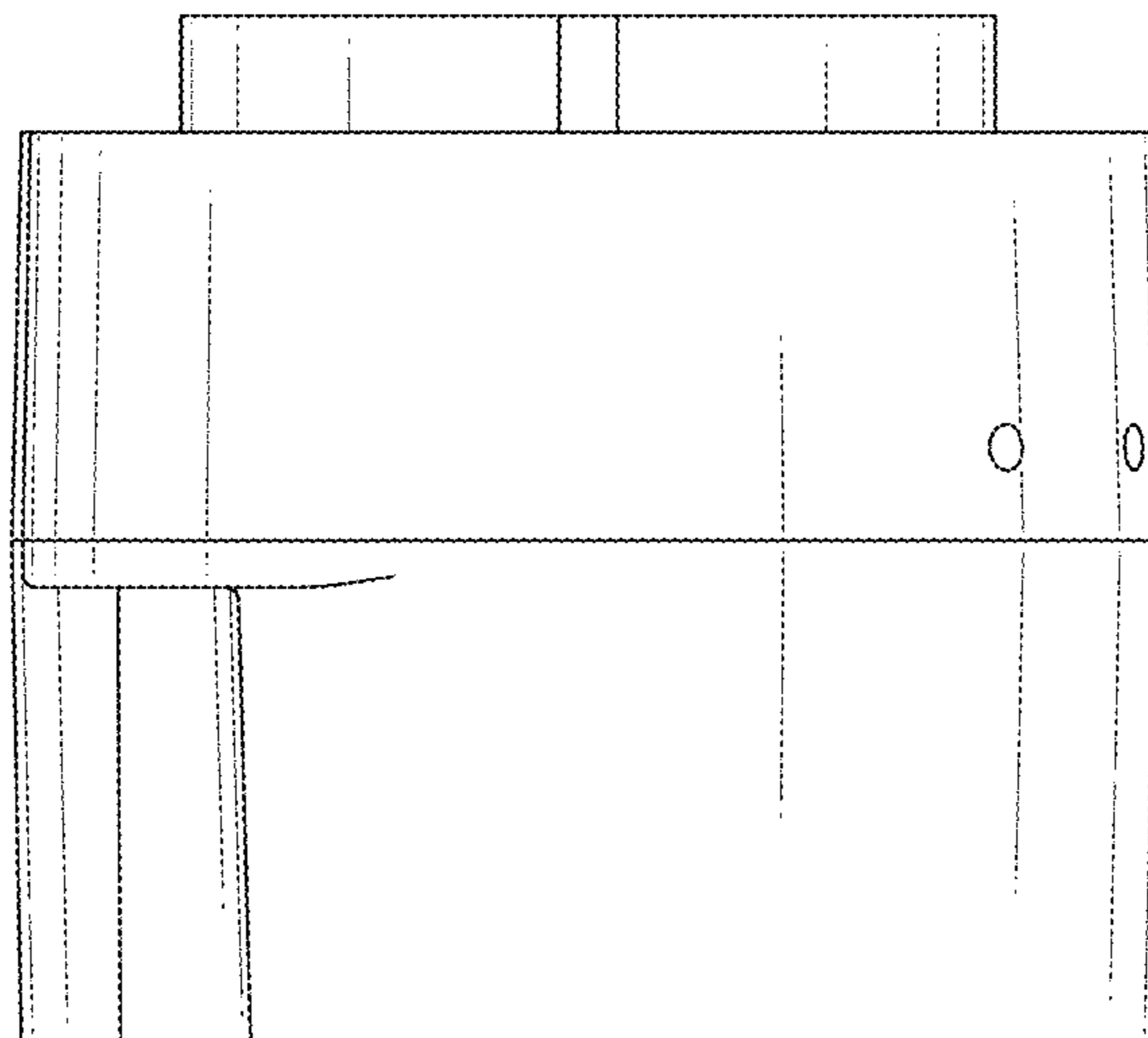


FIG. 8

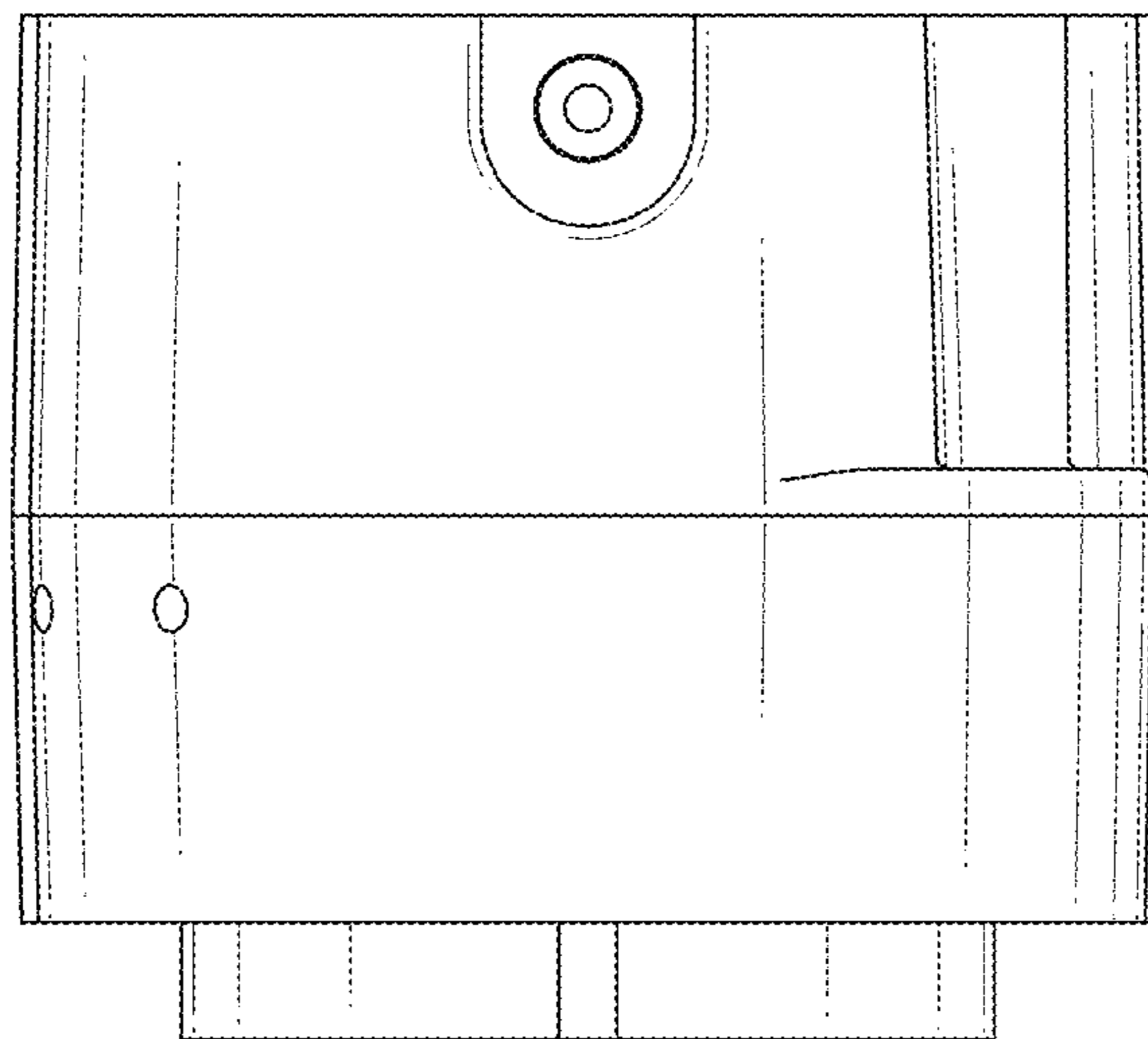


FIG. 9

