



US00D825625S

(12) **United States Design Patent** (10) **Patent No.:** **US D825,625 S**  
**Lee et al.** (45) **Date of Patent:** **\*\* Aug. 14, 2018**

(54) **REFRIGERATOR**

(71) Applicant: **SAMSUNG ELECTRONICS CO., LTD.**, Suwon-si, Gyeonggi-do (KR)

(72) Inventors: **Seon-Ju Lee**, Seoul (KR); **Dajeong Kim**, Seoul (KR); **Choongeun Lee**, Seoul (KR)

(73) Assignee: **SAMSUNG ELECTRONICS CO., LTD.**, Gyeonggi-Do (KR)

(\*\*) Term: **15 Years**

(21) Appl. No.: **29/598,165**

(22) Filed: **Mar. 23, 2017**

(30) **Foreign Application Priority Data**

Dec. 23, 2016 (KR) ..... 30-2016-0062959

(51) **LOC (11) Cl.** ..... **15-07**

(52) **U.S. Cl.**  
USPC ..... **D15/91**

(58) **Field of Classification Search**  
USPC ..... D15/79-91

CPC .. F25D 11/00; F25D 17/065; F25D 2325/022;  
 F25D 23/069; F25D 25/025; F25D 11/02;  
 F25D 17/062; F25D 21/12; F25D 21/125;  
 F25D 21/14; F25D 2317/061; F25D  
 2317/067; F25D 2323/021; F25D  
 2323/024; F25D 23/028; F25D 23/04;  
 F25D 23/066; F25D 23/085; F25D  
 23/087; F25D 23/126; F25D 2400/02;  
 F25D 2400/06; F25D 2400/361; F25D  
 2400/40; F25D 25/005; F25D 25/02;  
 F25D 2600/02; F25D 2700/02; F25D  
 2700/12; F25D 2700/121; F25D 2700/14;  
 F25D 29/00

See application file for complete search history.

(56) **References Cited**

U.S. PATENT DOCUMENTS

D660,329	S	*	5/2012	Doberstein	.....	D15/91
D761,334	S	*	7/2016	Lee	.....	D15/86
D761,336	S	*	7/2016	Lee	.....	D15/91
D771,724	S	*	11/2016	Jeon	.....	D15/86
D780,815	S	*	3/2017	Seo	.....	D15/91
D783,691	S	*	4/2017	Kim	.....	D15/91
D787,573	S	*	5/2017	Kim	.....	D15/91
D791,199	S	*	7/2017	Kim	.....	D15/86
D798,347	S	*	9/2017	Yoon	.....	D15/91

\* cited by examiner

*Primary Examiner* — Ian Simmons

*Assistant Examiner* — Khawaja Anwar

(74) *Attorney, Agent, or Firm* — Cantor Colburn LLP

(57) **CLAIM**

The ornamental design for a refrigerator, as shown and described.

**DESCRIPTION**

FIG. 1 is a front perspective view of a refrigerator showing our new design;

FIG. 2 is a front view thereof;

FIG. 3 is a rear view thereof;

FIG. 4 is a left-side view thereof;

FIG. 5 is a right-side view thereof;

FIG. 6 is a top view thereof; and,

FIG. 7 is a bottom view thereof.

The broken lines illustrating portions of the refrigerator form no part of the claimed design.

The dot-dash lines in the figures represent an unclaimed boundary line and form no part of the claimed design.

**1 Claim, 7 Drawing Sheets**

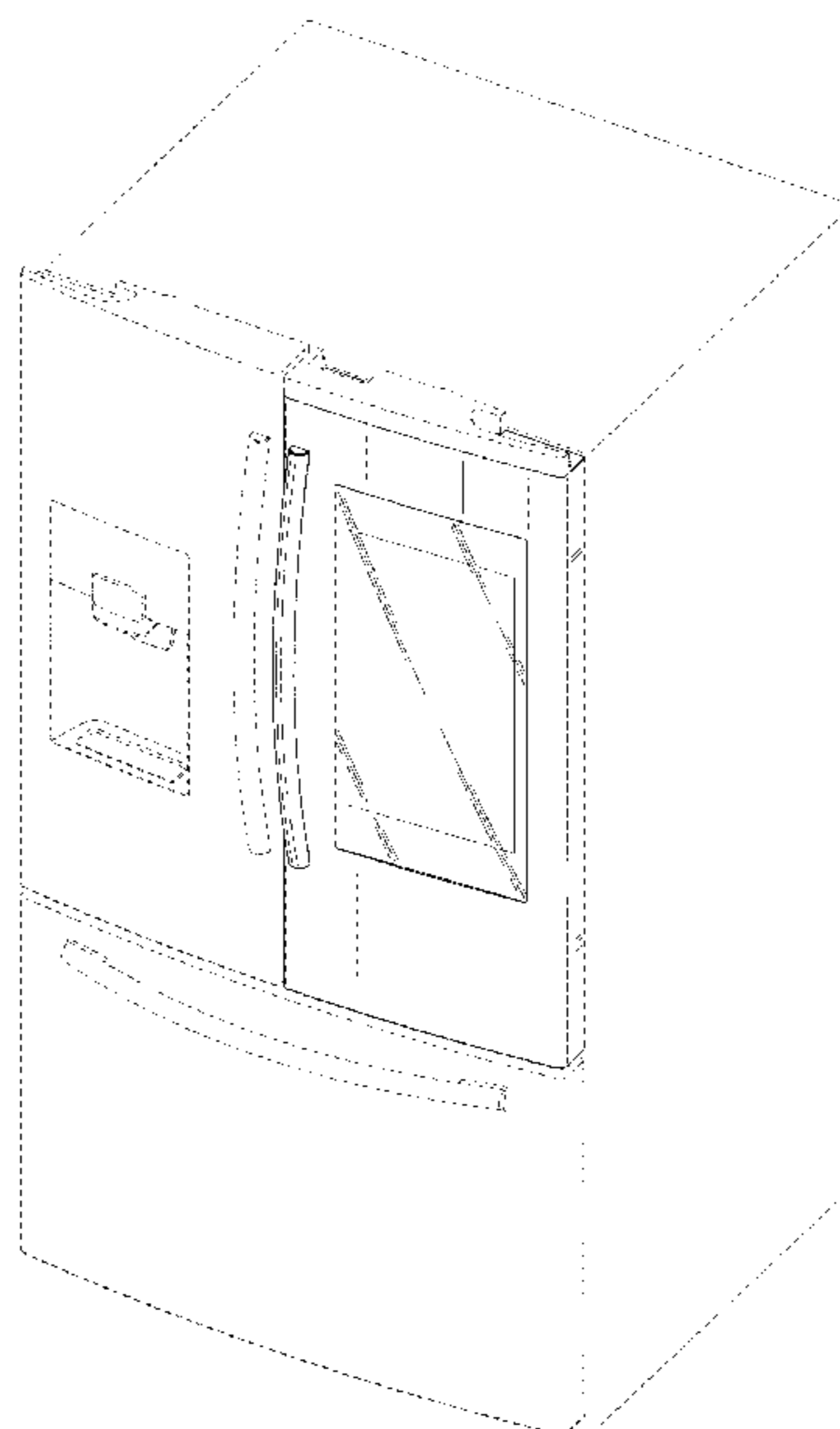


FIG. 1

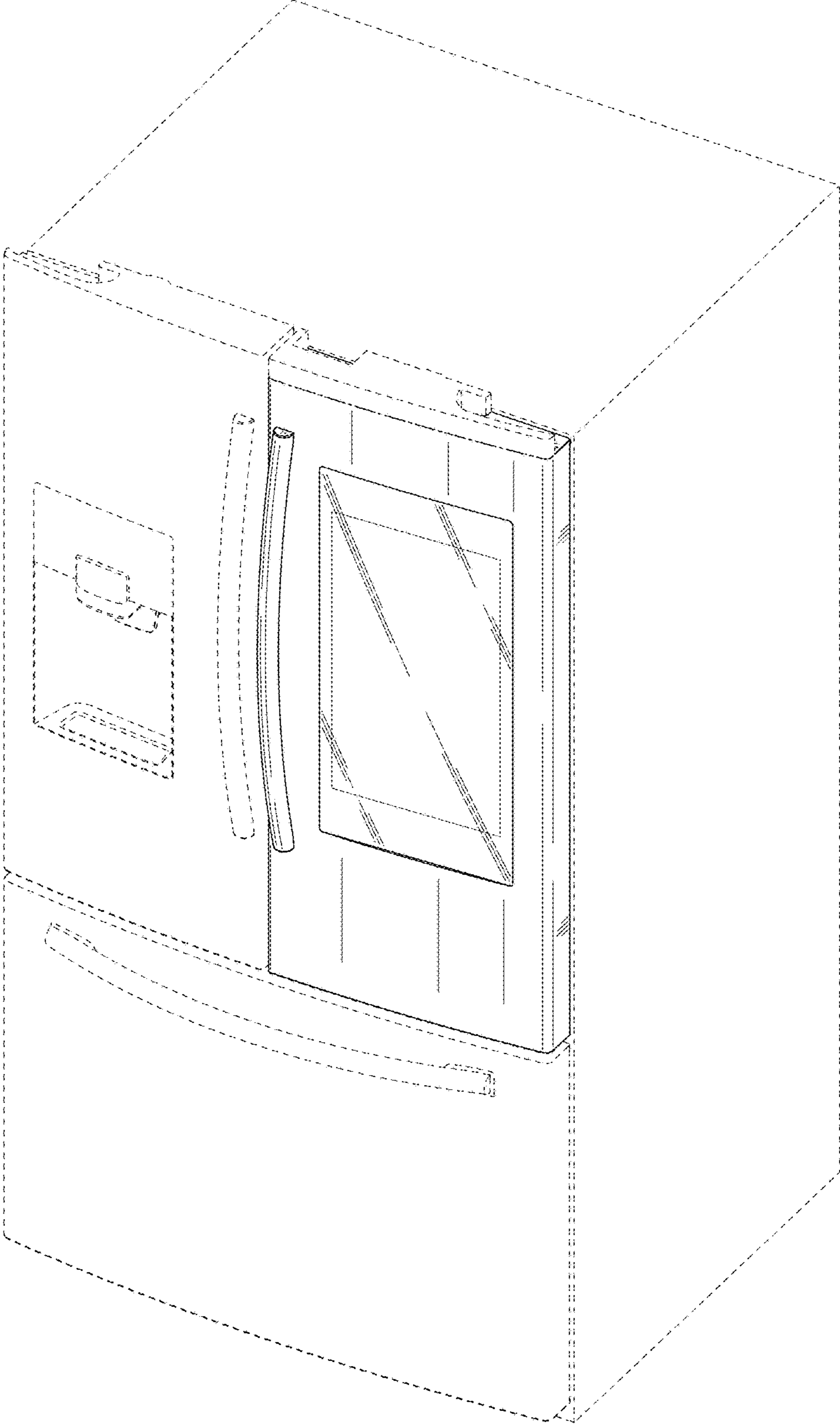


FIG. 2

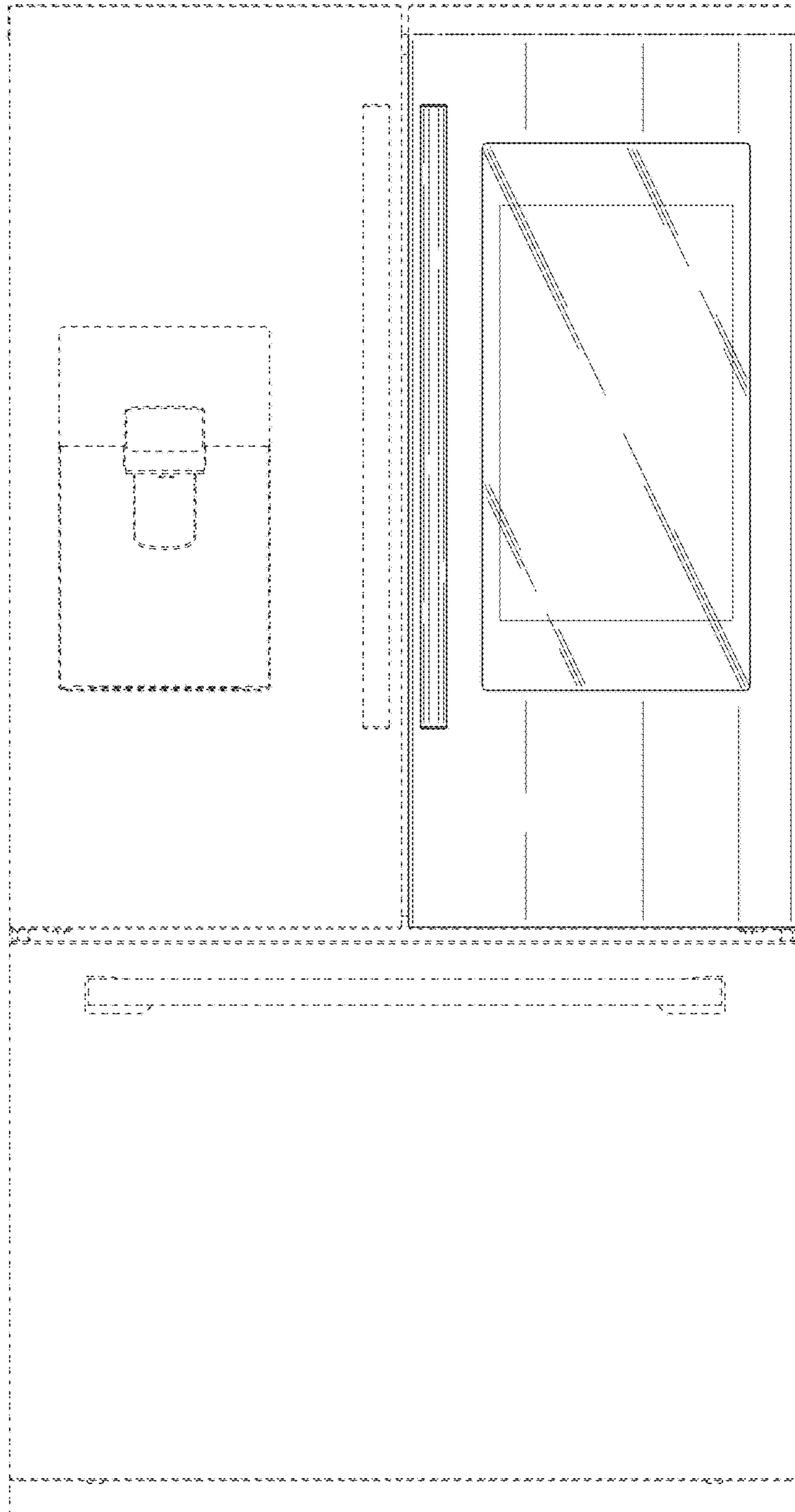


FIG. 3



FIG. 4

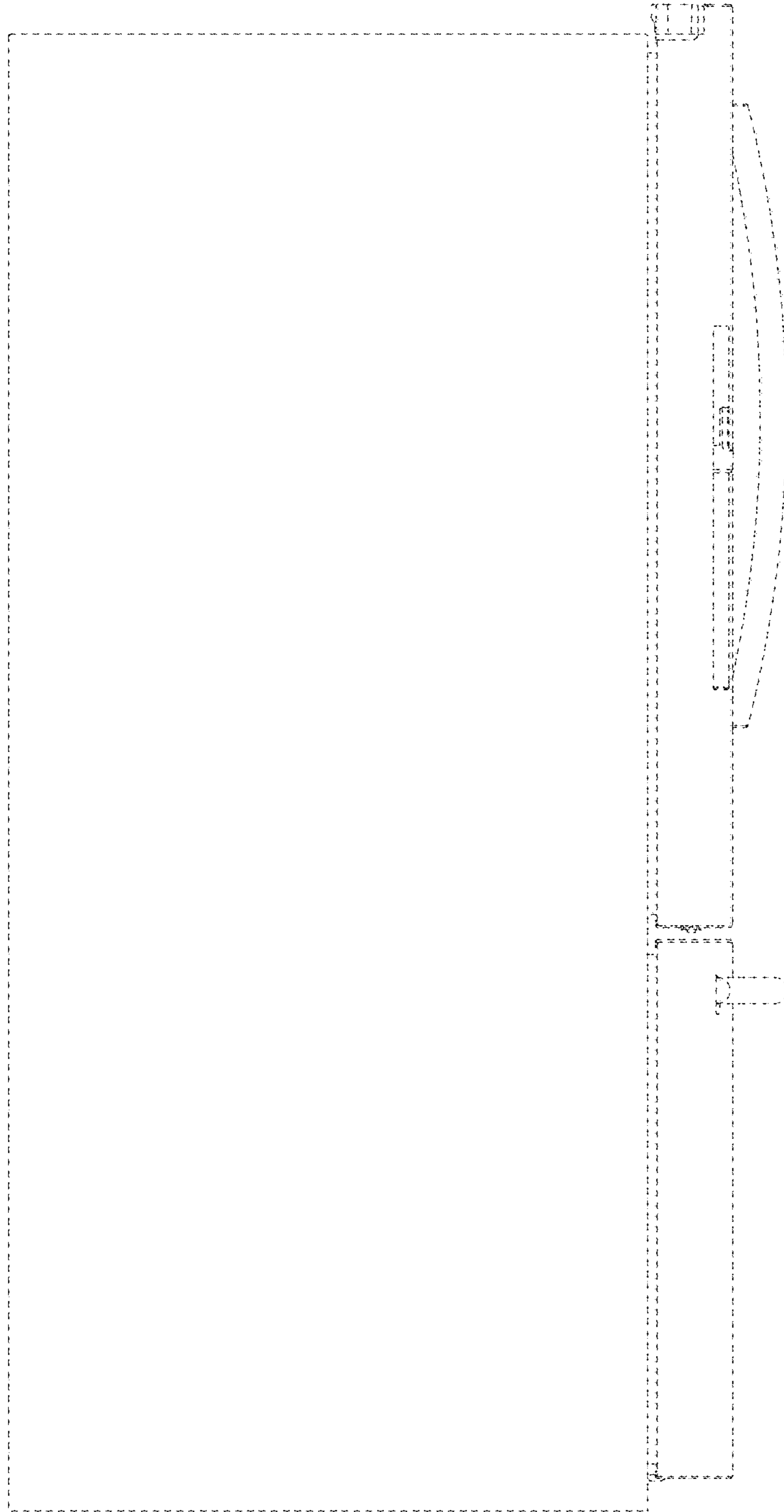


FIG. 5

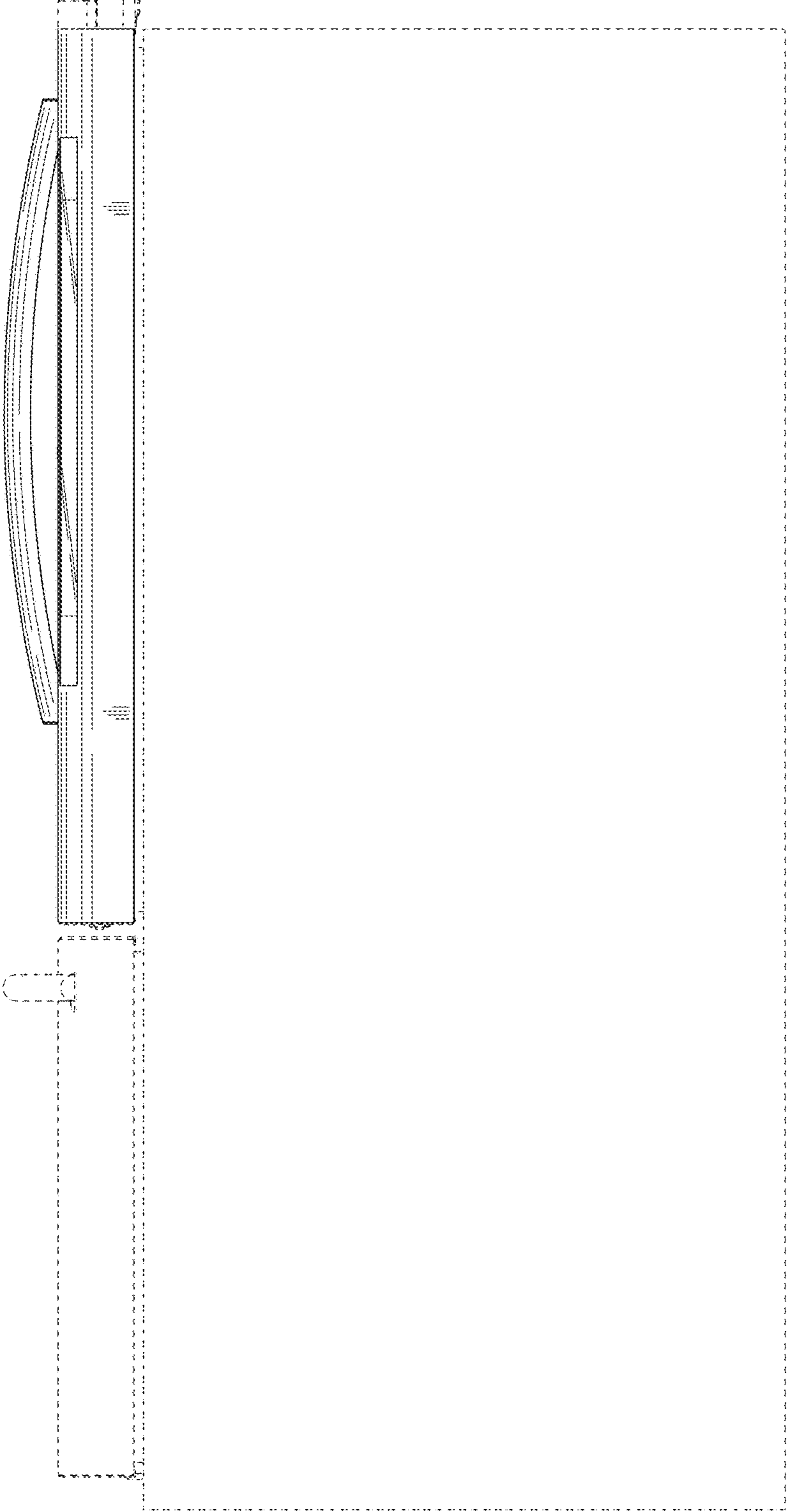


FIG. 6

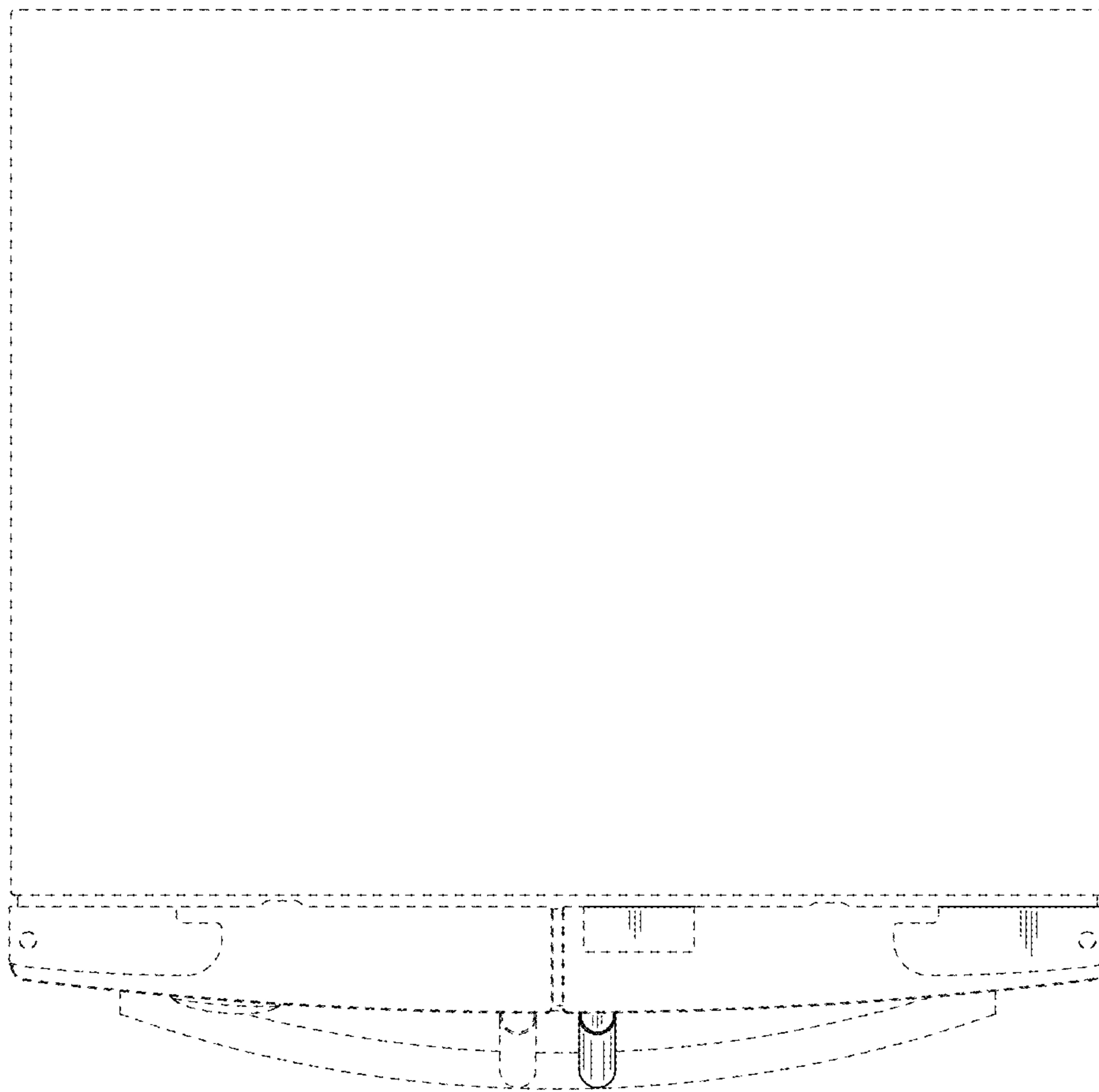


FIG. 7

