



US00D825617S

(12) **United States Design Patent** (10) **Patent No.:** **US D825,617 S**
Hallgren (45) **Date of Patent:** **** Aug. 14, 2018**

(54) **TRACTOR FOR CONSTRUCTION VEHICLE**

D800,792 S * 10/2017 Loew D15/20
D800,793 S * 10/2017 Loew D15/20
D800,797 S * 10/2017 Loew D15/22
2011/0274491 A1 * 11/2011 Heusinger A01B 77/00
404/91

(71) Applicant: **Volvo Construction Equipment AB,**
Eskilstuna (SE)

(72) Inventor: **Michael Hallgren,** Pixbo (SE)

(73) Assignee: **Volvo Construction Equipment AB,**
Eskilstuna (SE)

(**) Term: **15 Years**

(21) Appl. No.: **29/599,749**

(22) Filed: **Apr. 6, 2017**

(30) **Foreign Application Priority Data**

Apr. 6, 2017 (EM) 003844380
Apr. 6, 2017 (EM) 003844406
Apr. 6, 2017 (EM) 003844638

(51) **LOC (11) Cl.** **15-02**

(52) **U.S. Cl.**
USPC **D15/10; D10/23**

(58) **Field of Classification Search**
USPC D15/10, 20, 22-26, 28, 30, 33; D12/14
CPC E01C 23/065; E01C 23/88; E01C 23/00;
E01C 23/06

See application file for complete search history.

(56) **References Cited**

U.S. PATENT DOCUMENTS

D184,216 S * 1/1959 Erlacher D15/23
D465,499 S * 11/2002 Briggs D15/30
7,810,887 B2 * 10/2010 Hjerth B60P 1/045
298/17 S
D660,874 S * 5/2012 Werner D15/10
D668,269 S * 10/2012 Tezuka D15/20
D676,463 S * 2/2013 Ewringmann D15/20
D696,697 S * 12/2013 Cooksey D15/10
D721,988 S * 2/2015 Graber D12/15
D721,994 S * 2/2015 Graber D12/173

OTHER PUBLICATIONS

Images of Volvo Construction Equipment Hauler Model A45G, disclosed at Bauma Trade Fair, Munich, Germany, Apr. 11-17, 2016. Product Brochure for Volvo Construction Equipment Hauler Model A45G, dated Oct. 2016.

Images of Volvo Construction Equipment Excavator Model EC950E, disclosed at Bauma Trade Fair, Munich, Germany, Apr. 11-17, 2016.

Images of Volvo Construction Equipment Excavator Model EC750E, disclosed to public May 2016.

* cited by examiner

Primary Examiner — John Windmuller

Assistant Examiner — Benjamin M Weeks

(74) *Attorney, Agent, or Firm* — Tucker Ellis LLP

(57) **CLAIM**

The ornamental design for a tractor for construction vehicle, as shown and described.

DESCRIPTION

FIG. 1 is a perspective view of a tractor for construction vehicle showing my new design.

FIG. 2 is another perspective view thereof.

FIG. 3 is a front view thereof.

FIG. 4 is a rear view thereof.

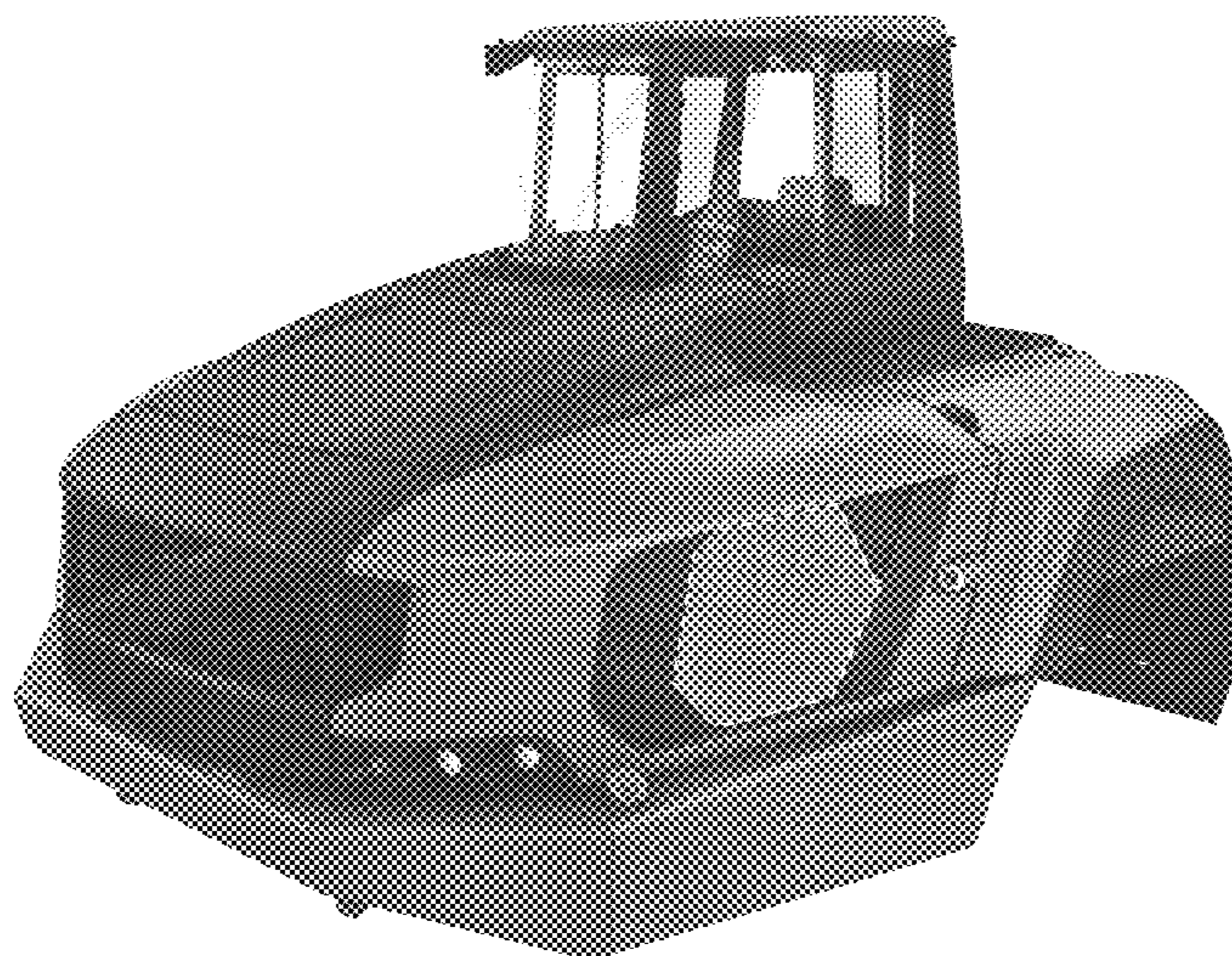
FIG. 5 is a left side view thereof.

FIG. 6 is a right side view thereof; and,

FIG. 7 is a top view thereof.

The de-emphasized areas that are surrounded by broken lines shown in the drawings illustrate portions of a tractor for construction vehicle that form no part of the claimed design.

1 Claim, 7 Drawing Sheets



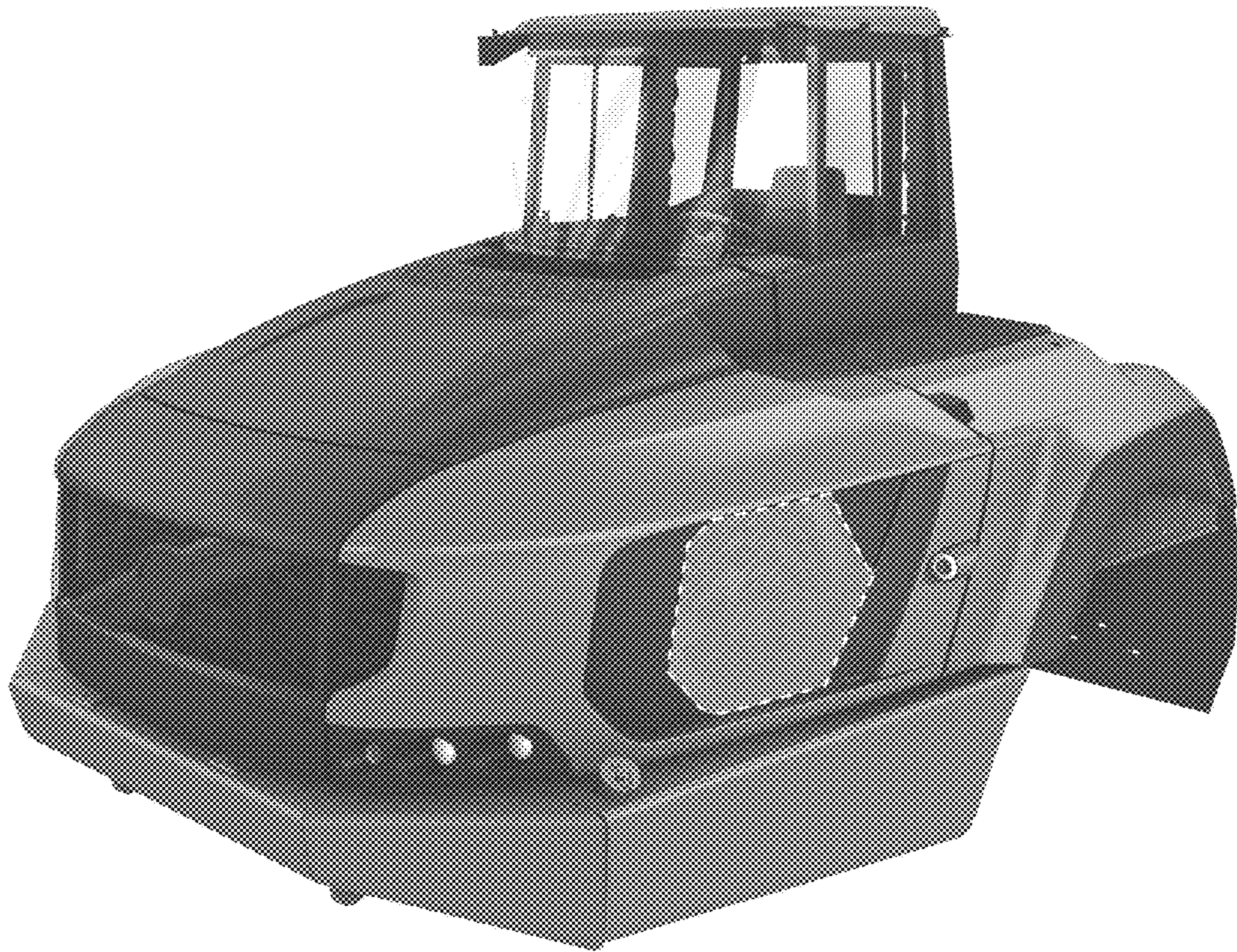


FIG. 1

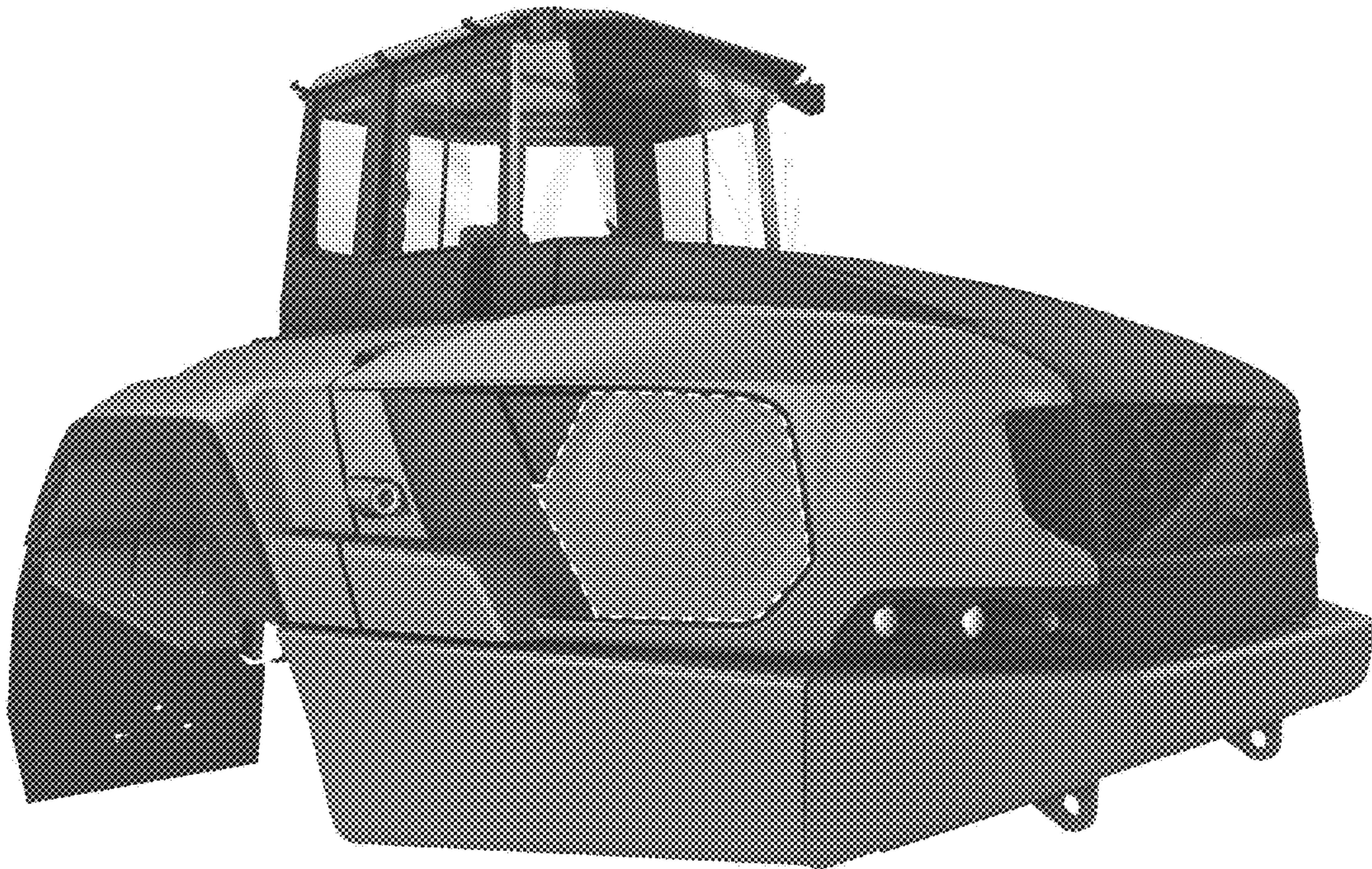


FIG. 2

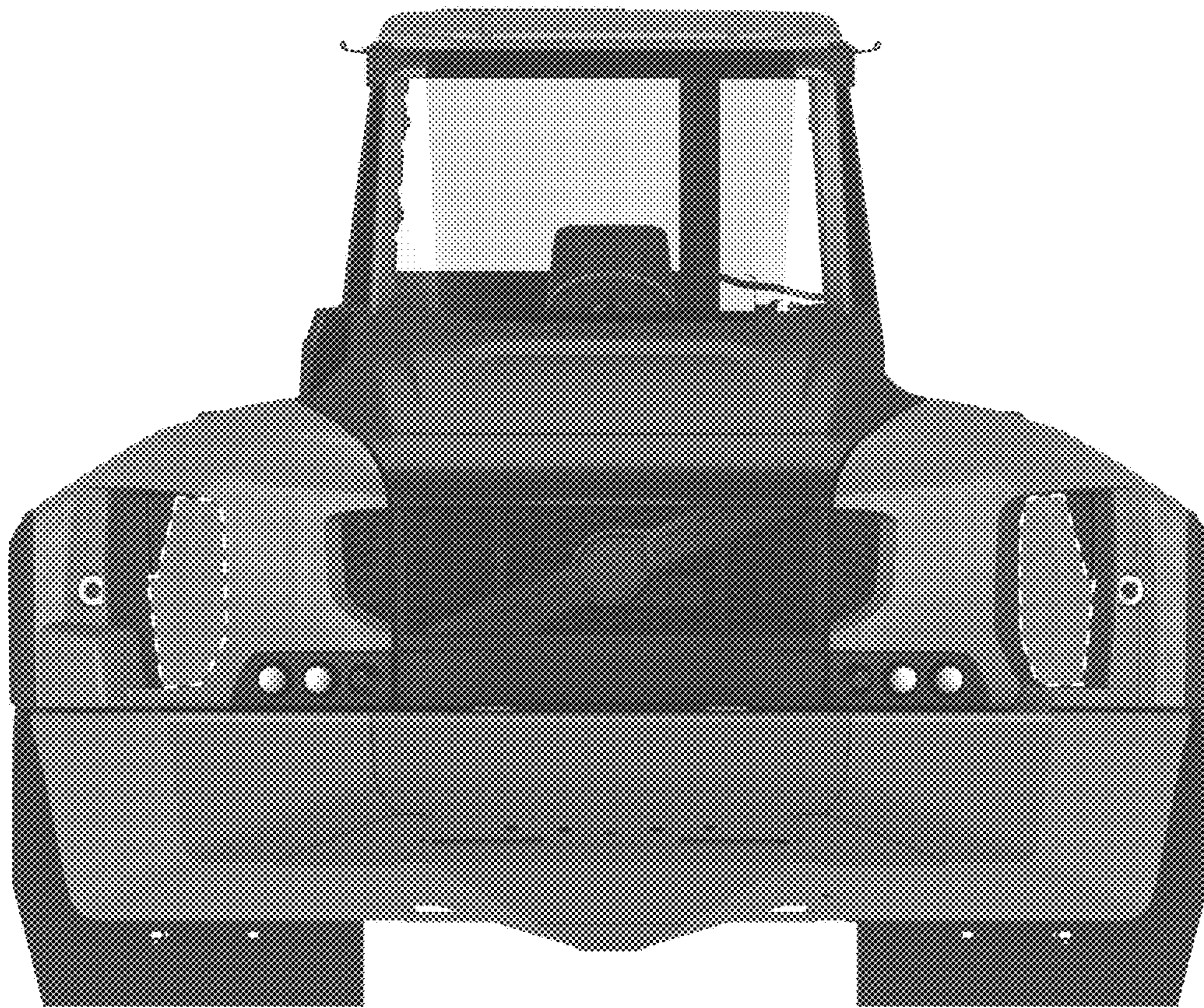


FIG. 3

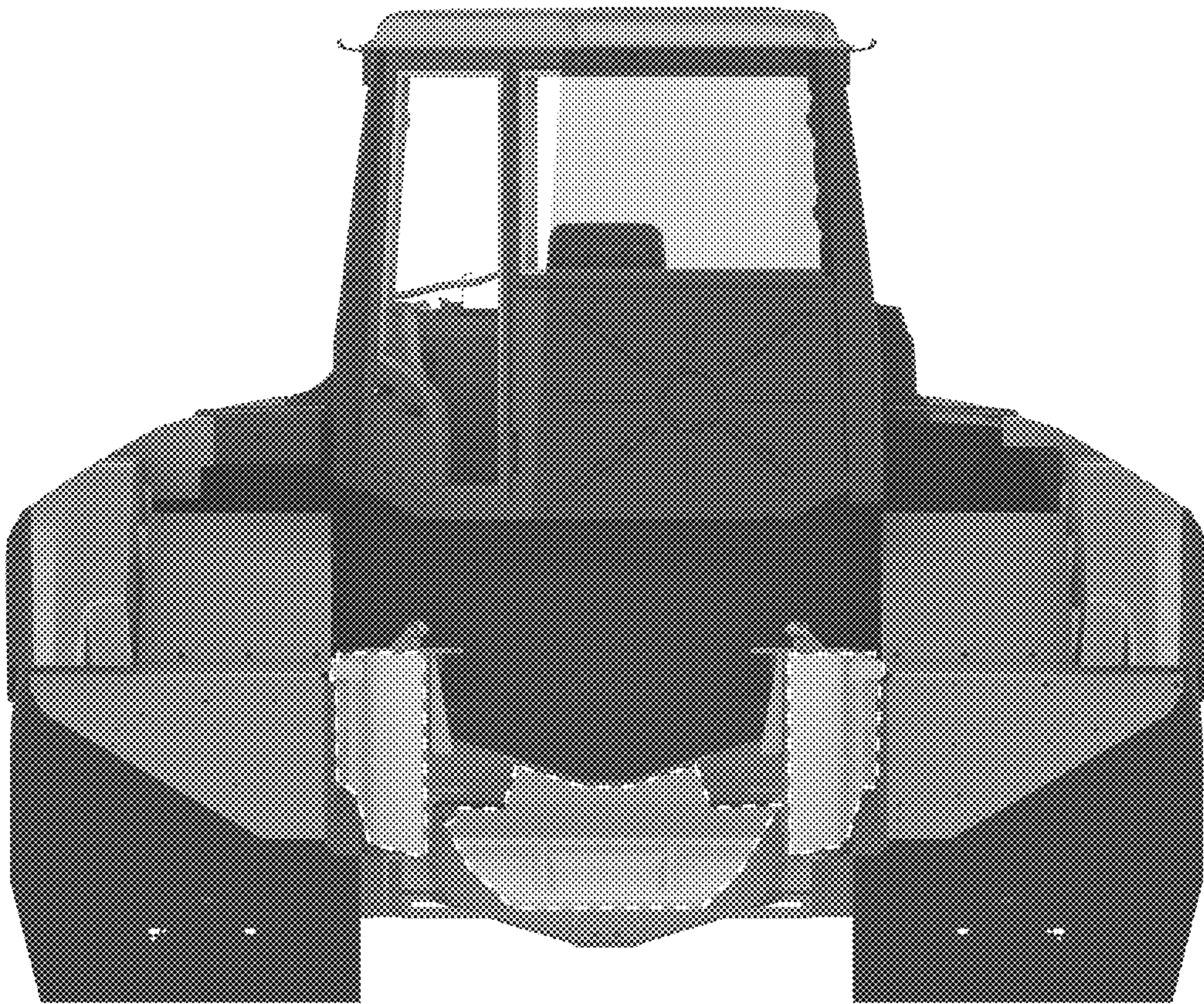


FIG. 4

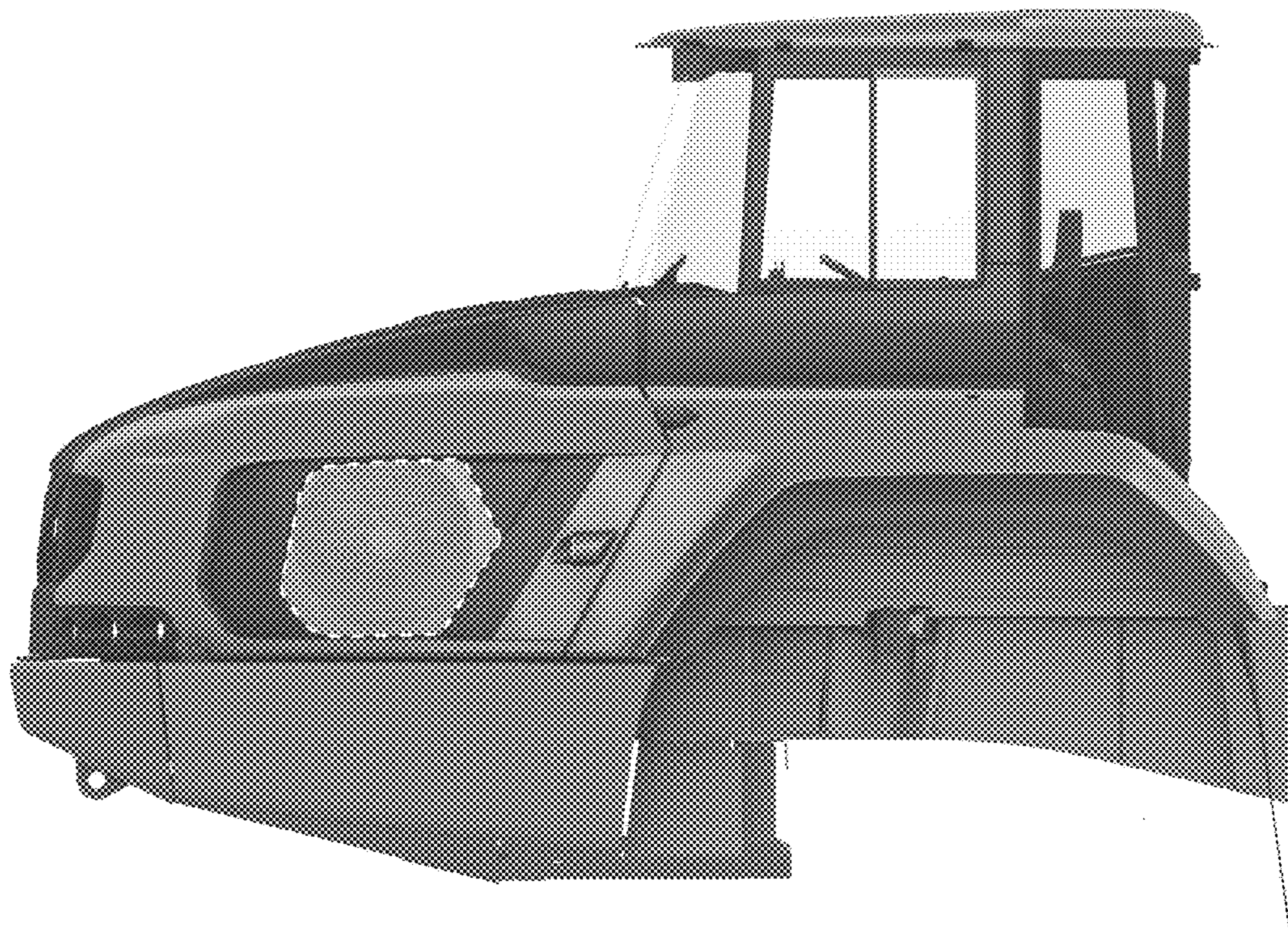


FIG. 5

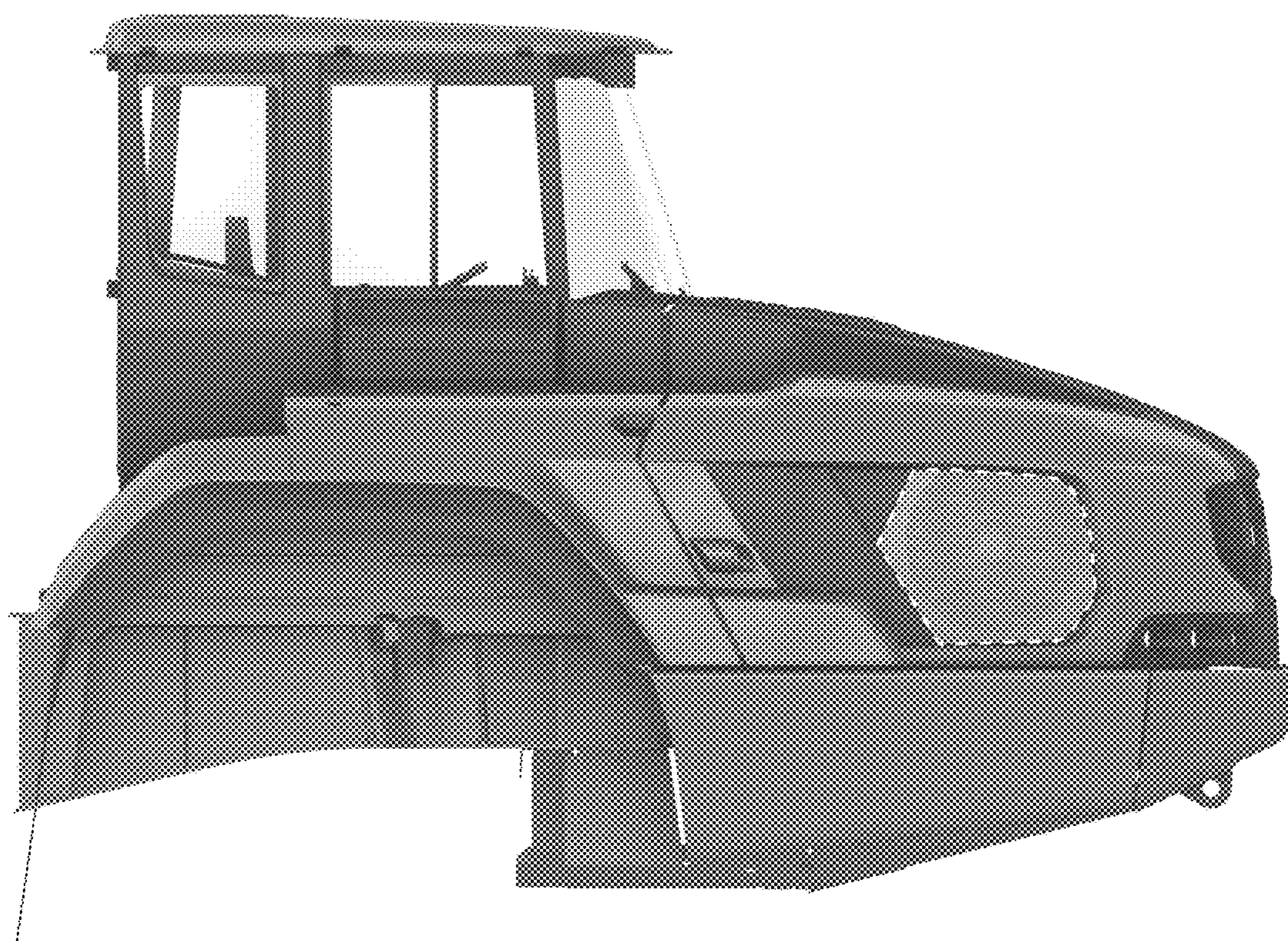


FIG. 6

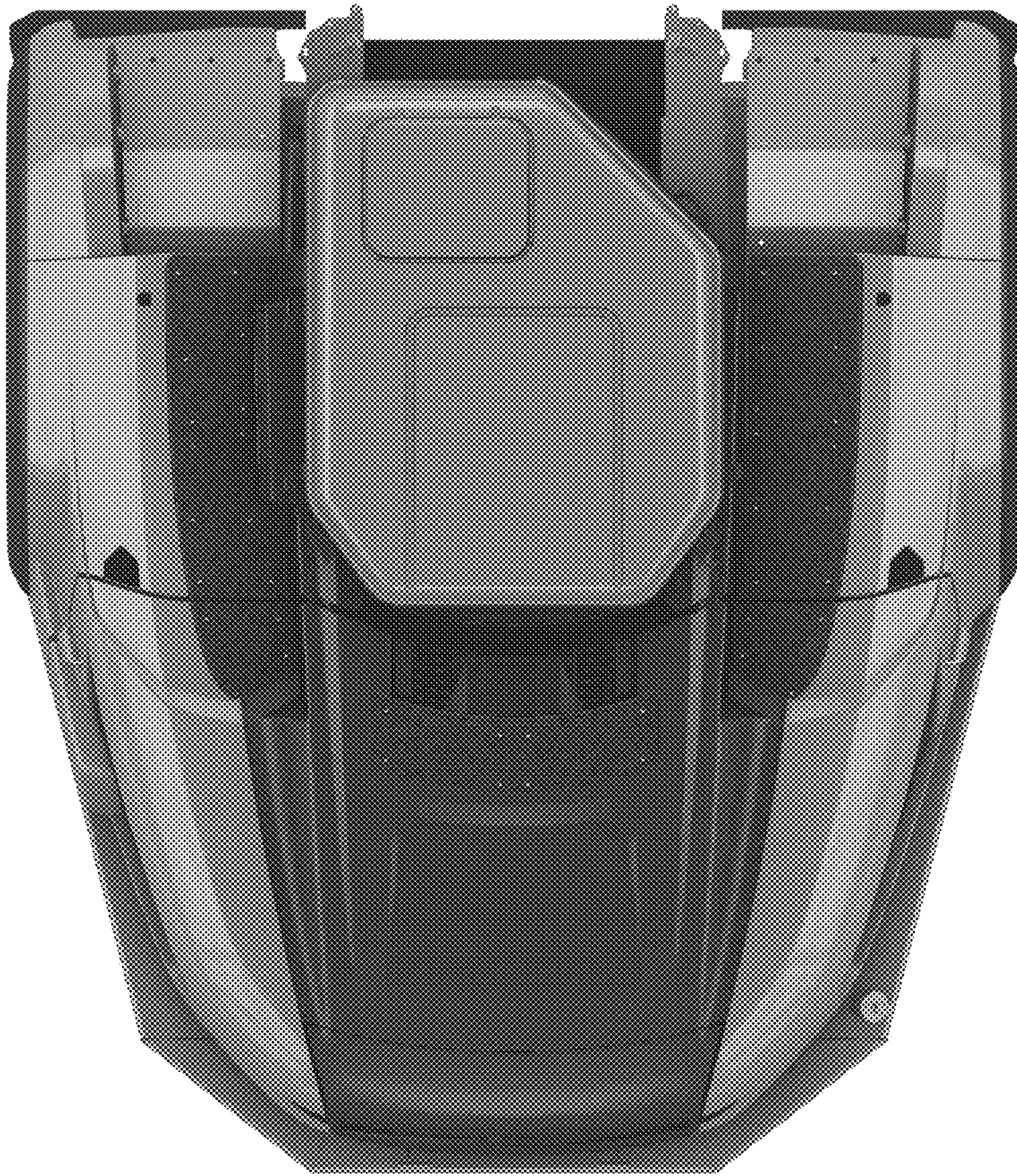


FIG. 7