



US00D825614S

(12) **United States Design Patent** (10) **Patent No.:** **US D825,614 S**
Bever et al. (45) **Date of Patent:** **** Aug. 14, 2018**

- (54) **GREASE COVER** 5,160,007 A 11/1992 Reik et al.
- 5,273,372 A 12/1993 Friedmann et al.
- (71) Applicant: **Eaton Corporation**, Cleveland, OH D373,369 S 9/1996 Matsui
(US) 6,474,433 B1 11/2002 Yoshioka
6,474,934 B1 * 11/2002 Jahnke, Jr. F04D 29/582
415/1
- (72) Inventors: **Burton Robert Bever**, Edgerton, OH 6,854,580 B2 2/2005 Braford, Jr.
(US); **Alexander William Jessee**, Fort D562,357 S * 2/2008 Hardy D15/29
Wayne, IN (US) 2002/0066631 A1 6/2002 Kietlinski et al.
- (73) Assignee: **Eaton Intelligent Power Limited**, 2005/0199461 A1 9/2005 Zuehl
Dublin (IE) 2006/0201765 A1 9/2006 Arhab
2006/0243556 A1 11/2006 Houtman
2008/0173509 A1 7/2008 Parks
2008/0277225 A1 11/2008 Lindemann
2009/0032364 A1 2/2009 MacDonald
2015/0362041 A1 12/2015 Lee
2016/0146324 A1 5/2016 Lindemann
2016/0341293 A1 11/2016 Okaji
- (**) Term: **15 Years**
- (21) Appl. No.: **29/617,352**
- (22) Filed: **Sep. 13, 2017**

* cited by examiner

Related U.S. Application Data

- (62) Division of application No. 29/544,997, filed on Nov. 9, 2015, now Pat. No. Des. 800,782.
- (51) **LOC (11) Cl.** **15-01**
- (52) **U.S. Cl.**
USPC **D15/5**
- (58) **Field of Classification Search**
USPC D15/5, 9, 7, 148, 149; D12/180
CPC F16H 45/00; F16H 45/02; F16F 15/131;
F16D 43/00; F16D 43/08
See application file for complete search history.

Primary Examiner — T. Chase Nelson
Assistant Examiner — Ania Aman
(74) *Attorney, Agent, or Firm* — Mei & Mark, LLP

(57) **CLAIM**

The ornamental design for a grease cover, as shown and described.

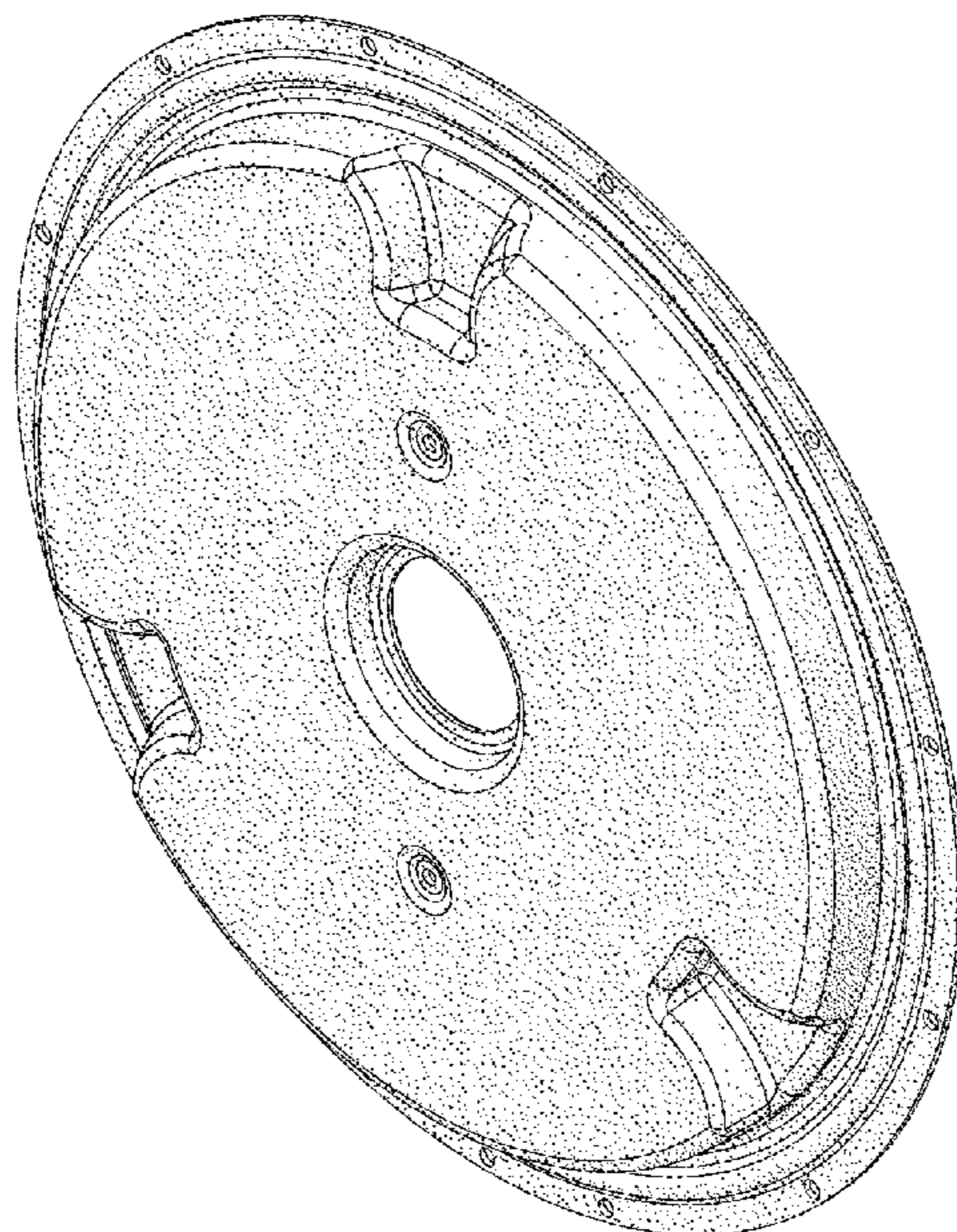
DESCRIPTION

FIG. 1 is a first perspective view of the grease cover.
FIG. 2 is a second perspective view of the grease cover.
FIG. 3 is a front view of the grease cover.
FIG. 4 is a rear view of the grease cover.
FIG. 5 is a top view of the grease cover.
FIG. 6 is a bottom view of the grease cover.
FIG. 7 is a left view of the grease cover; and,
FIG. 8 is a right view of the grease cover.

(56) **References Cited**
U.S. PATENT DOCUMENTS

- 4,139,995 A * 2/1979 Lamarche F16F 15/12346
192/213.3
- 4,360,352 A 11/1982 Lamarche
- 5,052,664 A 10/1991 Leshner et al.

1 Claim, 3 Drawing Sheets



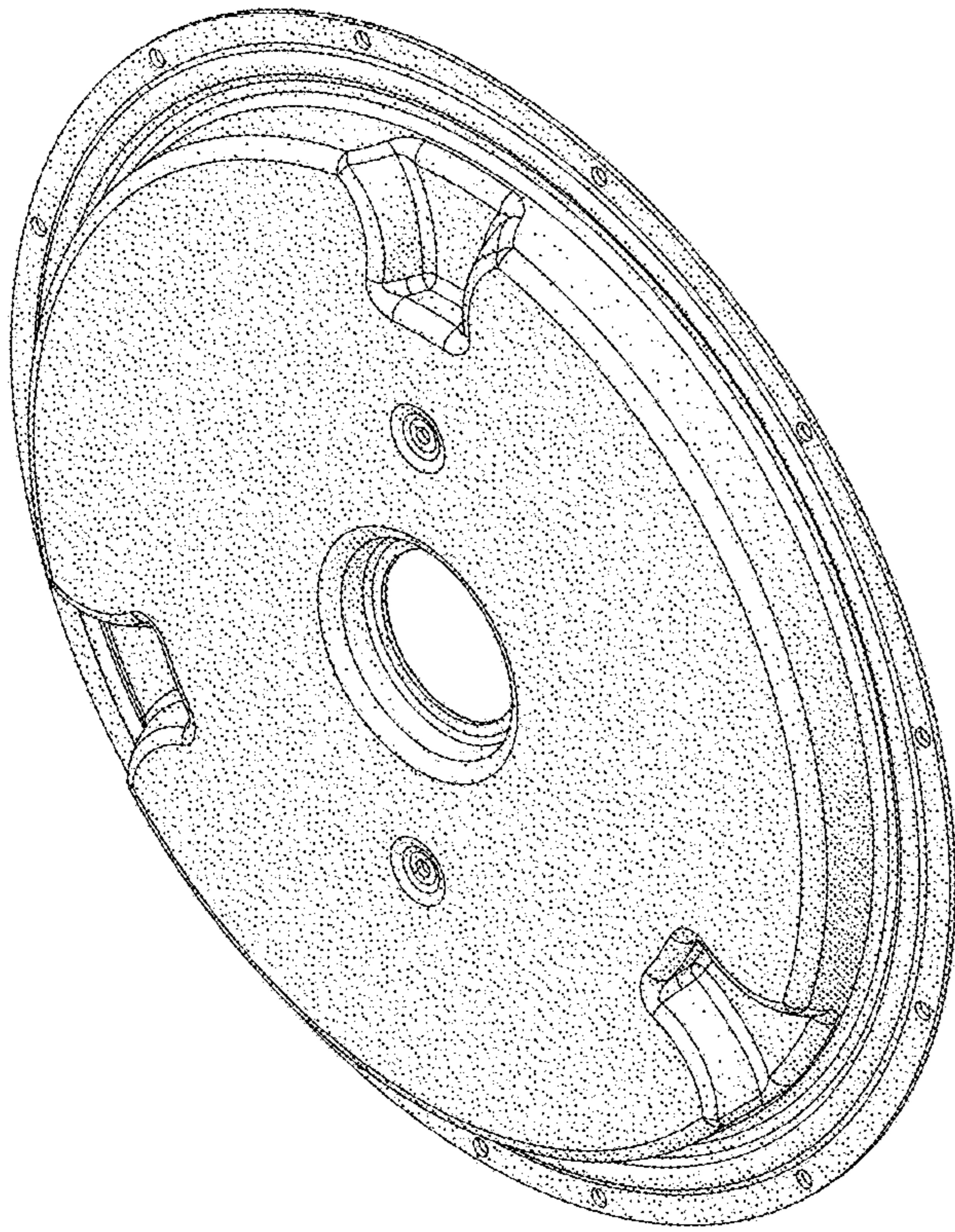


FIG. 1

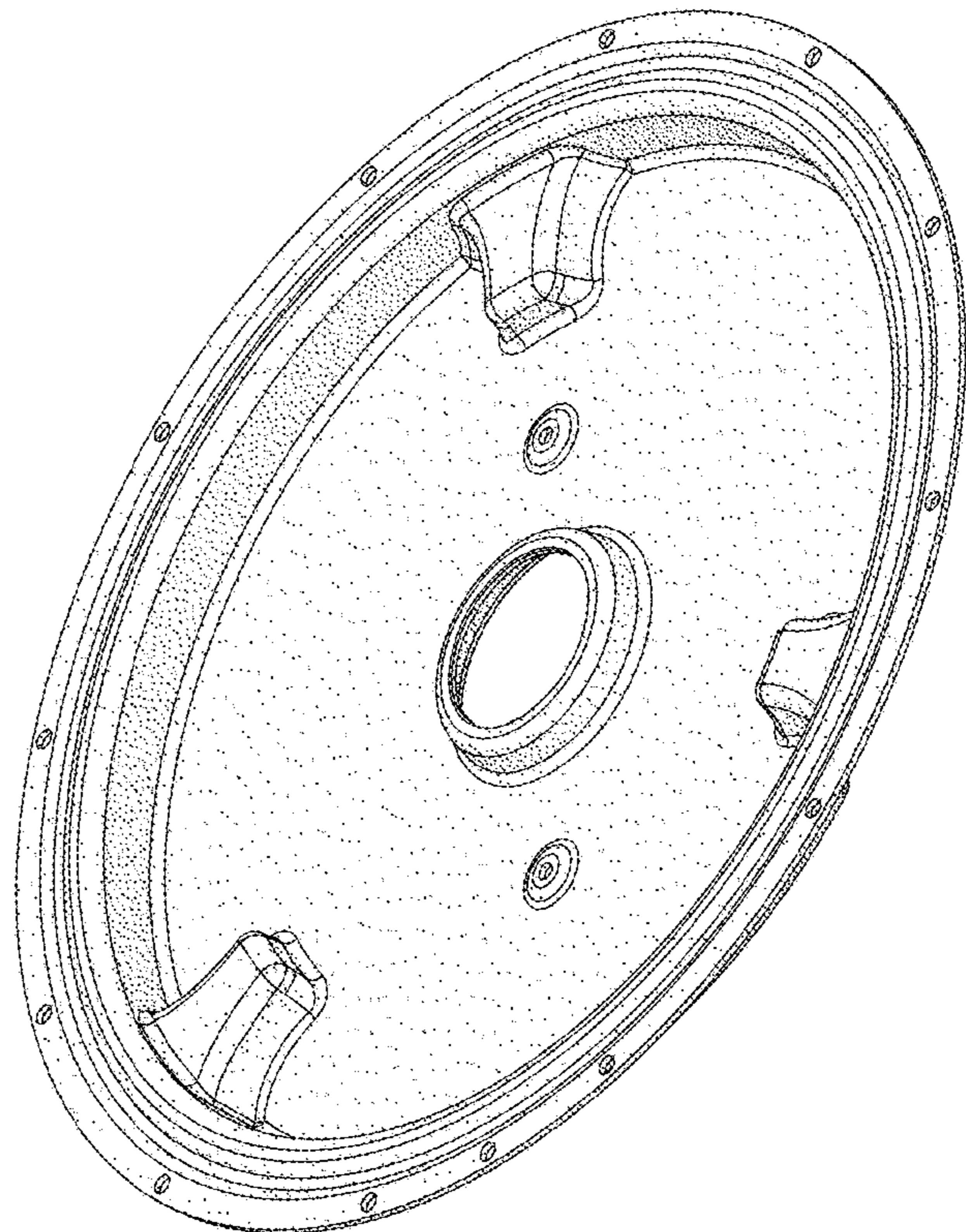


FIG. 2

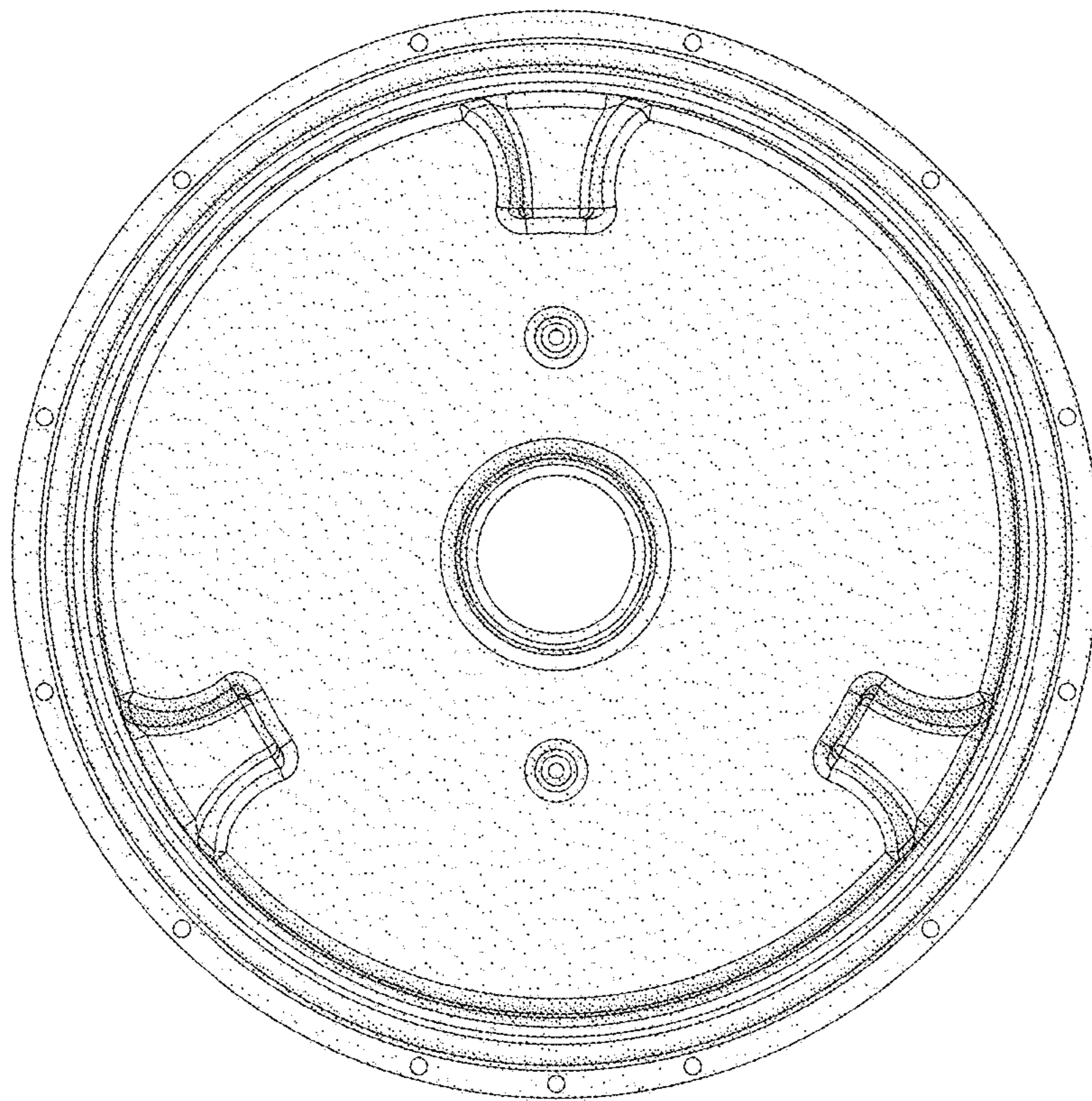


FIG. 3

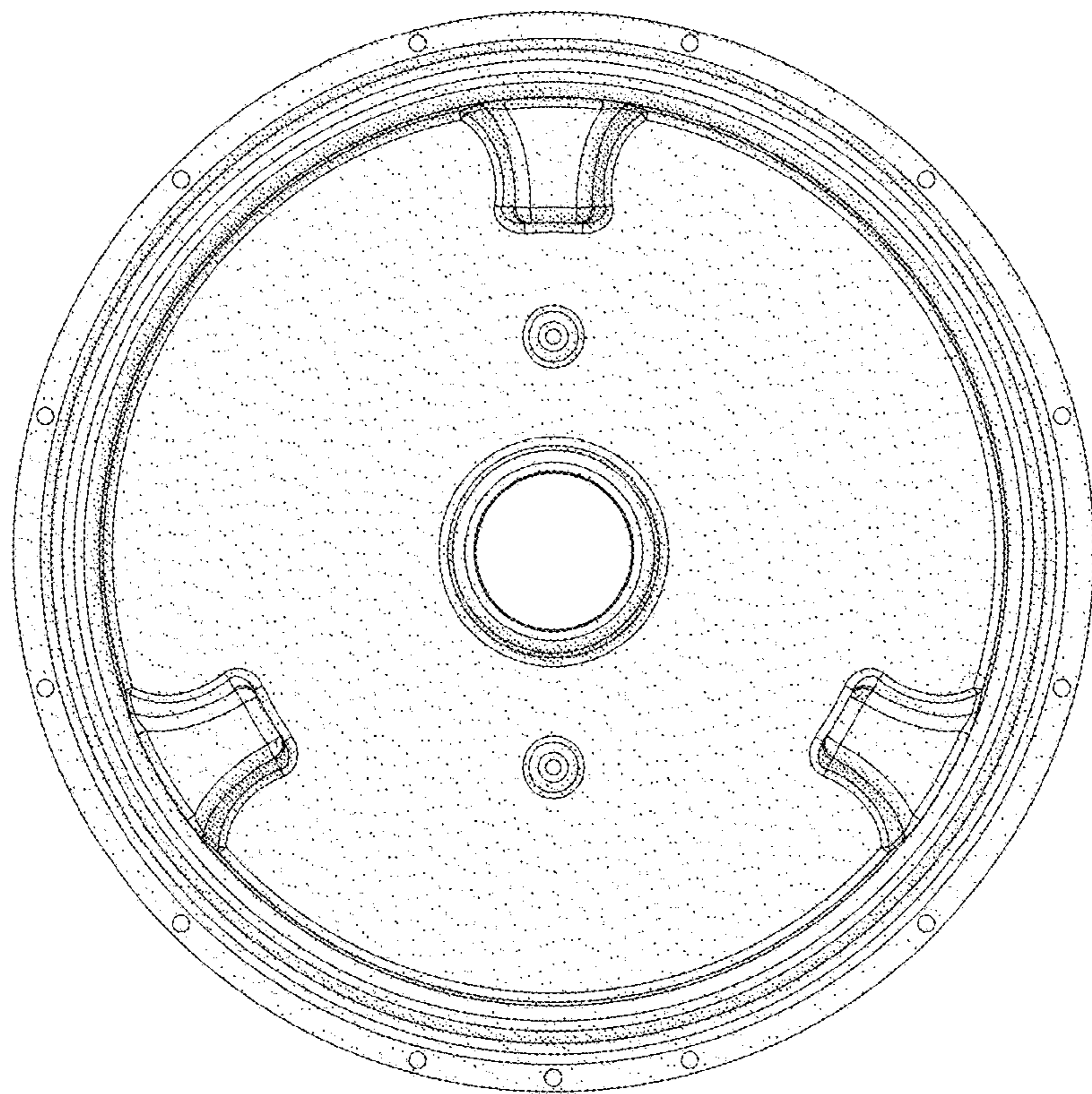


FIG. 4

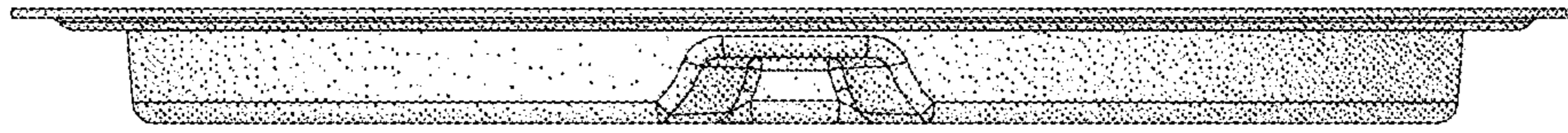


FIG. 5

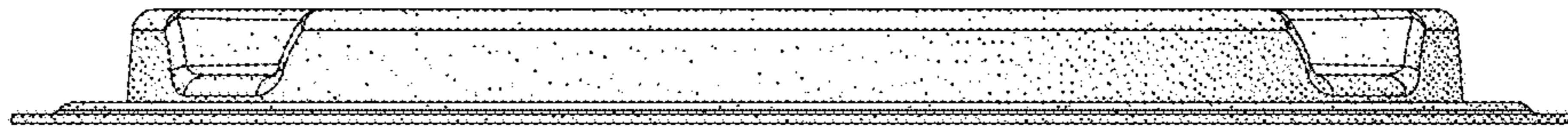


FIG. 6

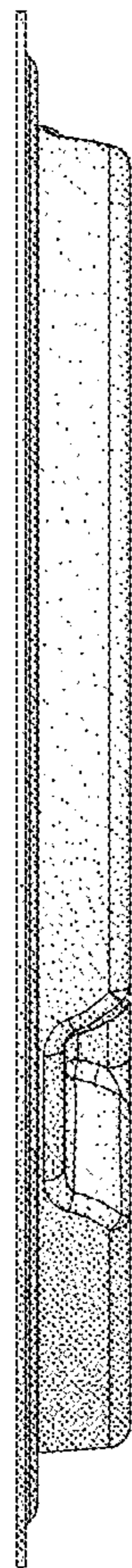


FIG. 7



FIG. 8