



US00D825579S

(12) **United States Design Patent**
Chiu et al.

(10) **Patent No.:** **US D825,579 S**

(45) **Date of Patent:** **** Aug. 14, 2018**

- (54) **PORTABLE STORAGE DEVICE**
- (71) Applicant: **Silicon Power Computer & Communications Inc., Taipei (TW)**
- (72) Inventors: **Mei-Ling Chiu, Taipei (TW); Wen-Te Shen, Taipei (TW)**
- (73) Assignee: **Silicon Power Computer & Communications, Inc., Taipei (TW)**
- (**) Term: **15 Years**
- (21) Appl. No.: **29/597,818**
- (22) Filed: **Mar. 20, 2017**
- (51) **LOC (11) Cl.** **14-03**
- (52) **U.S. Cl.**
USPC **D14/480.6**
- (58) **Field of Classification Search**
USPC D14/435.1, 480.1–480.7, 411, 433, 436,
D14/484.1, 137, 155, 203.1–203.8, 240,
D14/242; D13/133, 154
See application file for complete search history.

- D711,390 S * 8/2014 Sun D14/480.6
- D712,414 S * 9/2014 Tsai D14/480.6
- D749,600 S * 2/2016 Emami D14/480.6
- D754,141 S * 4/2016 Billington D14/480.6
- D803,843 S * 11/2017 Chang D14/480.6
- D806,715 S * 1/2018 Chen D14/480.6

* cited by examiner

Primary Examiner — Angela J Lee

(74) *Attorney, Agent, or Firm* — LeClairRyan

(57) **CLAIM**

The ornamental design for a portable storage device, as shown and described.

DESCRIPTION

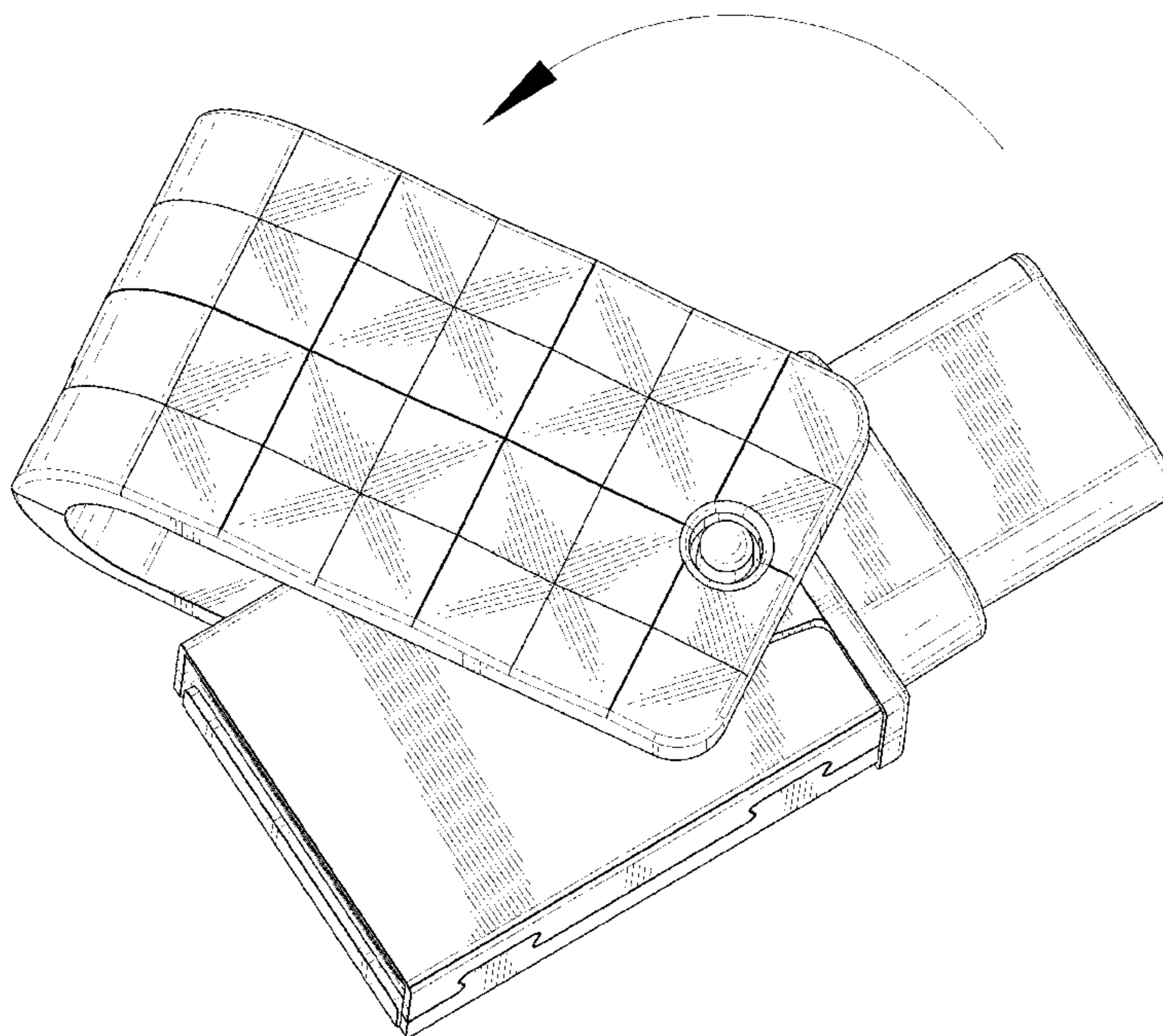
FIG. 1 is a perspective view of a portable storage device showing our new design;
 FIG. 2 is a front elevational view thereof;
 FIG. 3 is a rear elevational view thereof;
 FIG. 4 is a left side elevational view thereof;
 FIG. 5 is a right side elevational view thereof;
 FIG. 6 is a top plan view thereof;
 FIG. 7 is a bottom plan view thereof;
 FIG. 8 is a perspective view thereof taken from a different angle;
 FIG. 9 is a perspective view showing a cap of the design being rotated; and,
 FIG. 10 is another perspective view showing the cap of the design being rotated.
 The broken lines depict portions of a portable storage device in which the design is embodied that form no part of the claimed design.

(56) **References Cited**

U.S. PATENT DOCUMENTS

- D594,871 S * 6/2009 Ma D14/480.6
- D602,026 S * 10/2009 Lo D14/480.7
- D610,157 S * 2/2010 Ma D14/480.6
- D622,278 S * 8/2010 Ma D14/480.6
- D685,807 S * 7/2013 Billington D14/480.5
- 8,514,560 B2 * 8/2013 Wu H05K 5/0208
361/679.31
- D705,235 S * 5/2014 Slemp D14/480.6

1 Claim, 10 Drawing Sheets



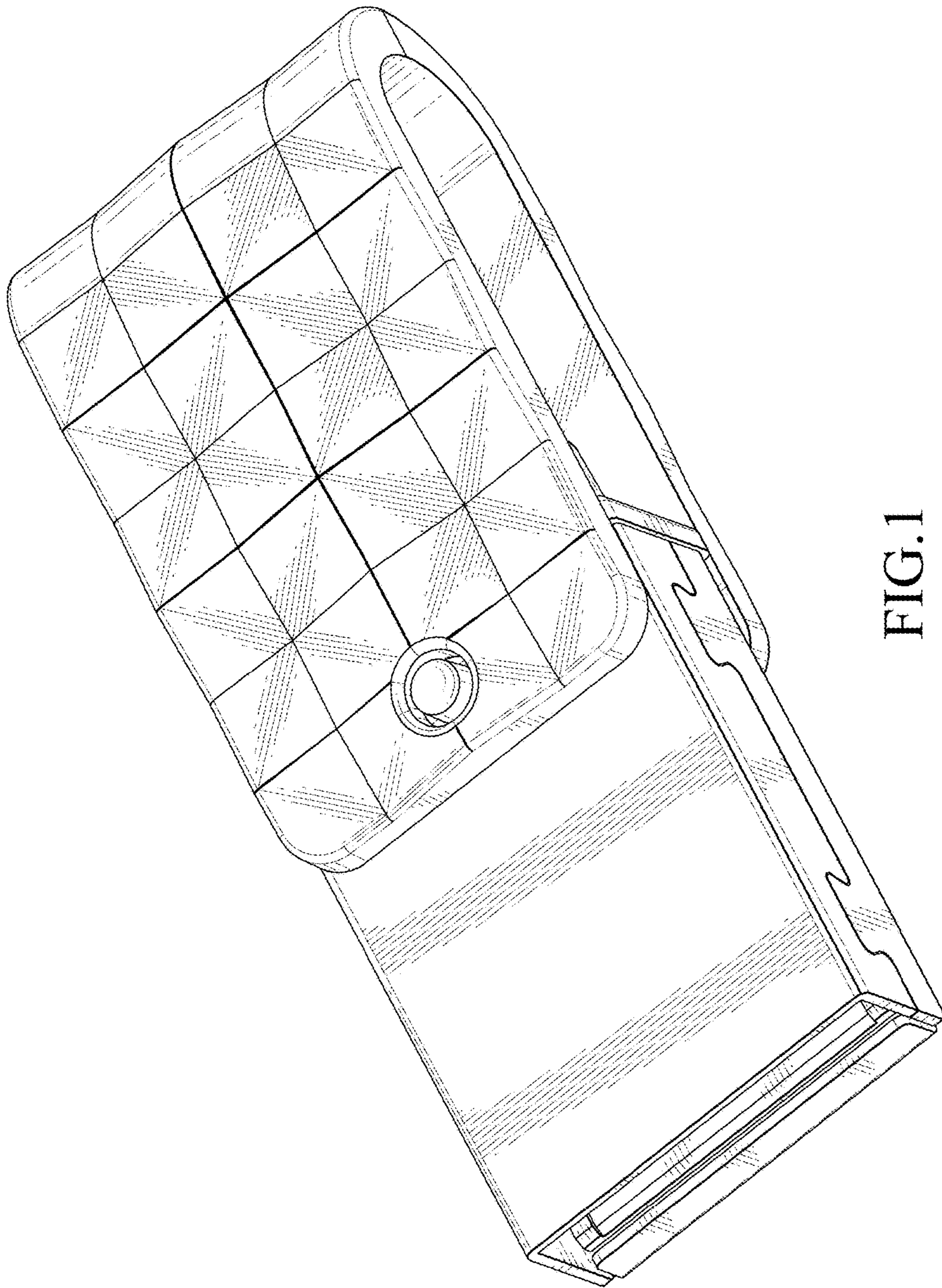


FIG. 1

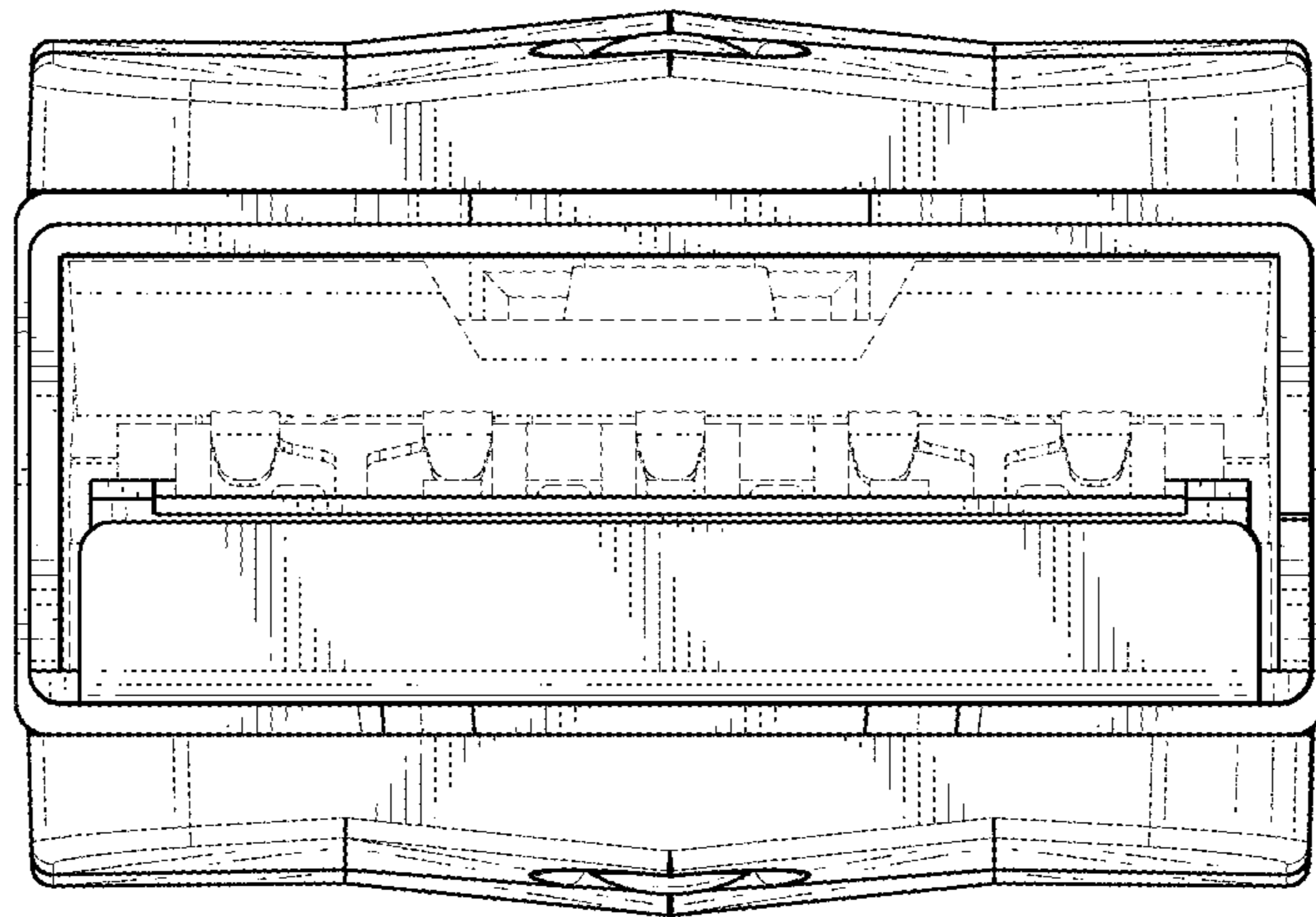


FIG.2

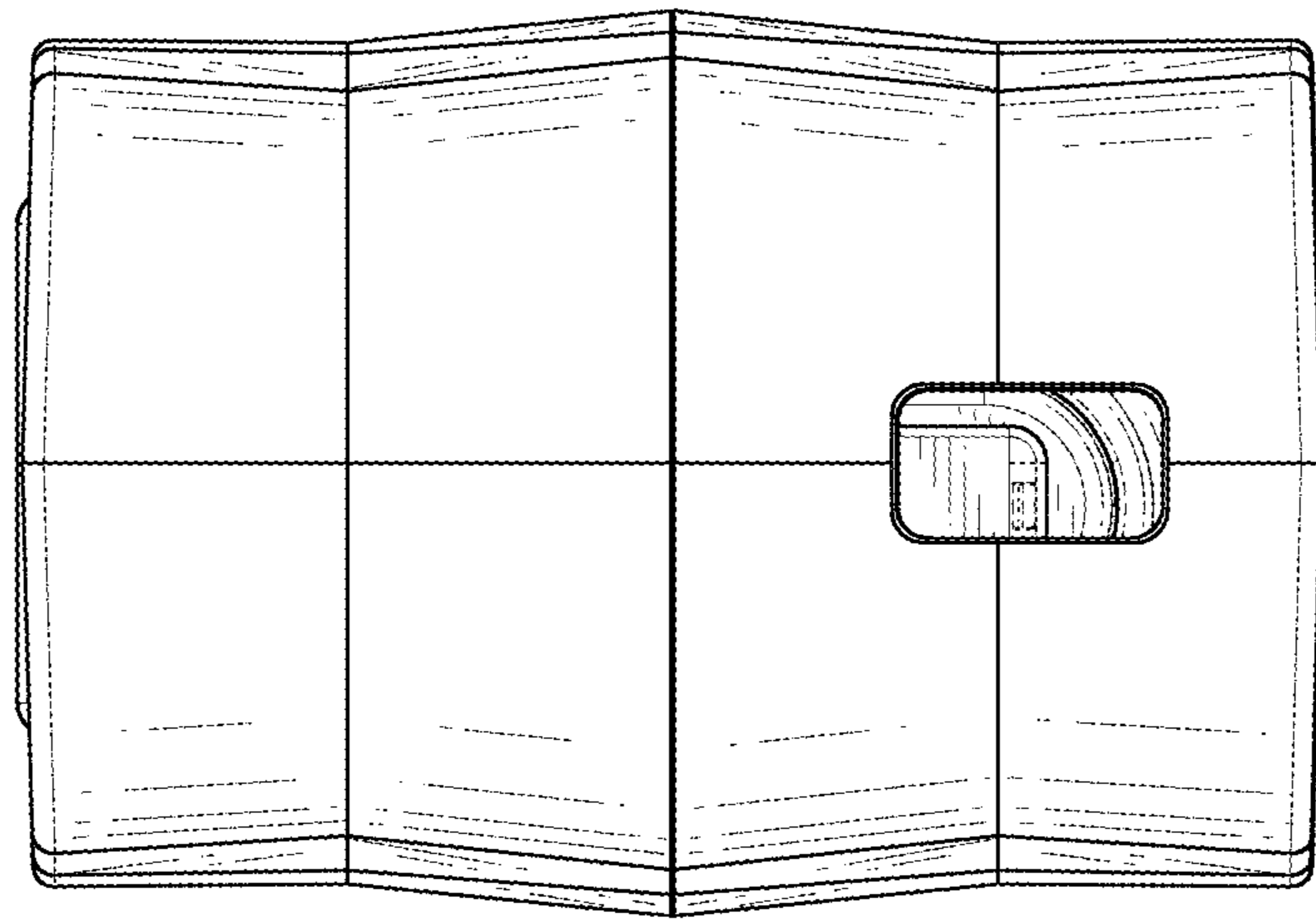


FIG.3

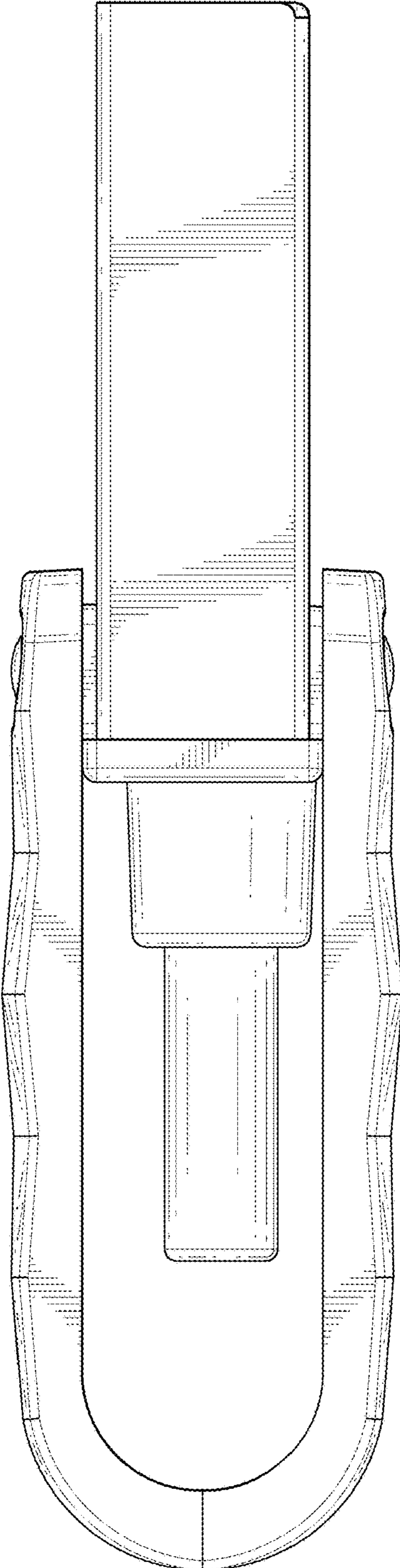


FIG.4

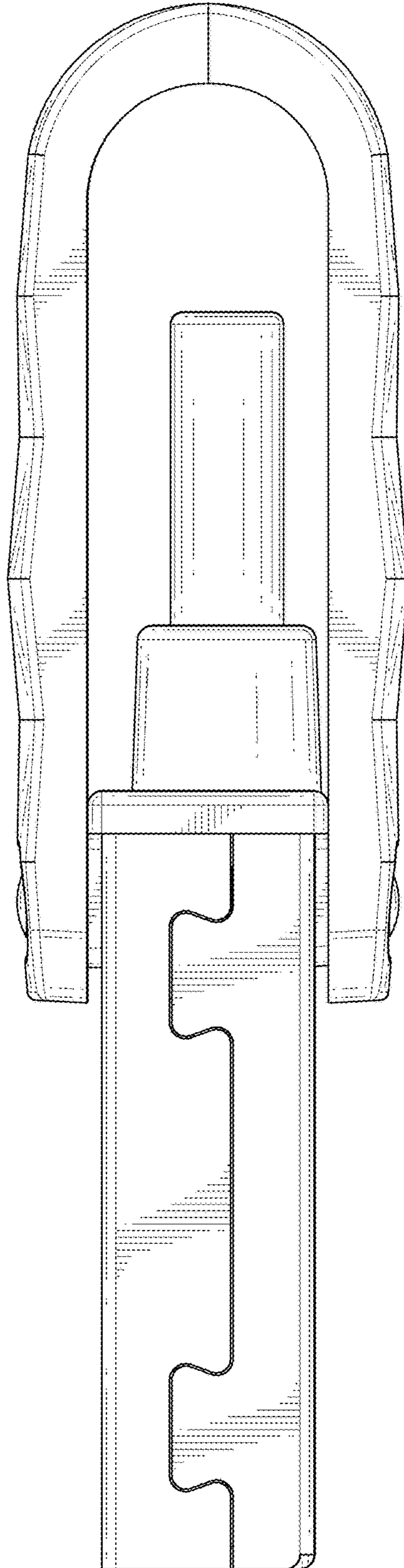


FIG.5

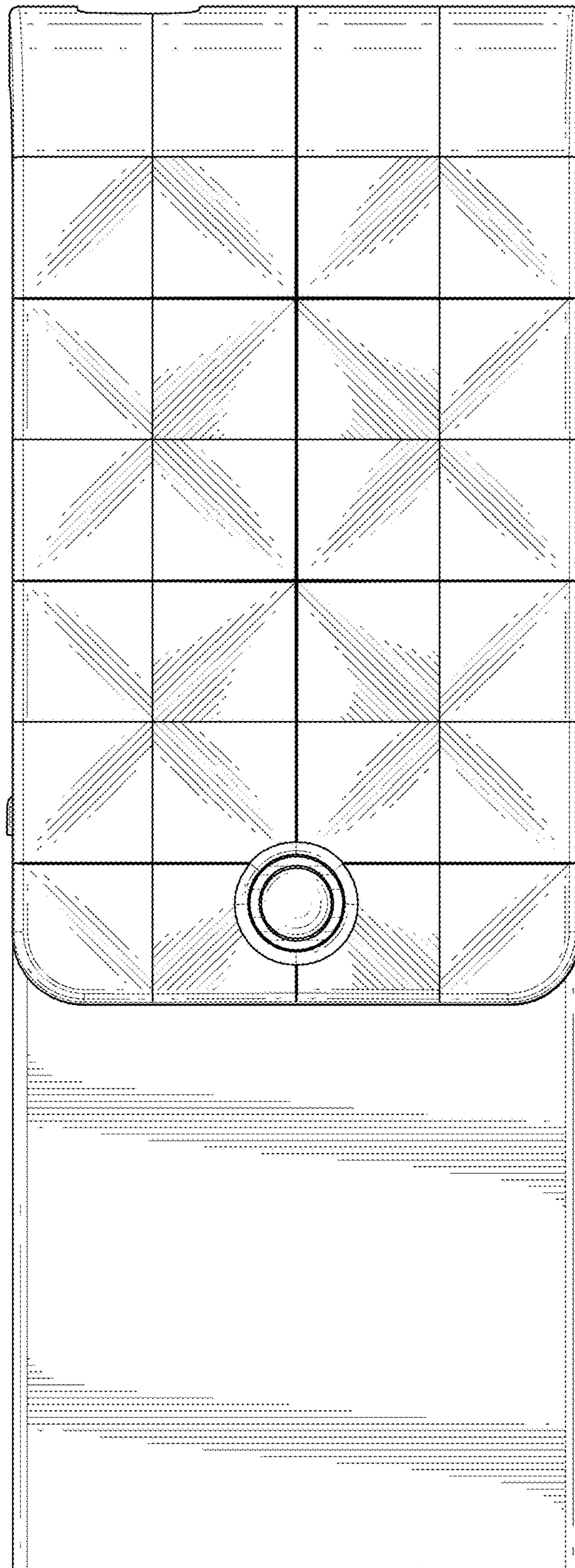


FIG. 6

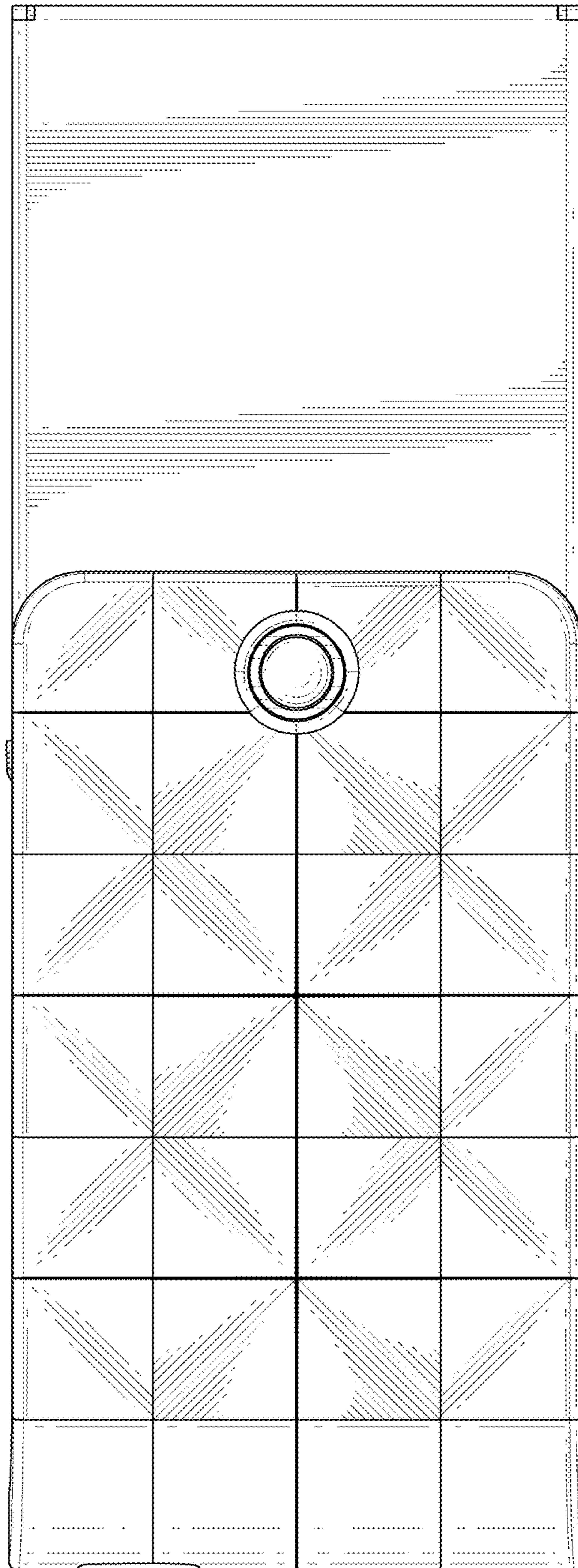


FIG. 7

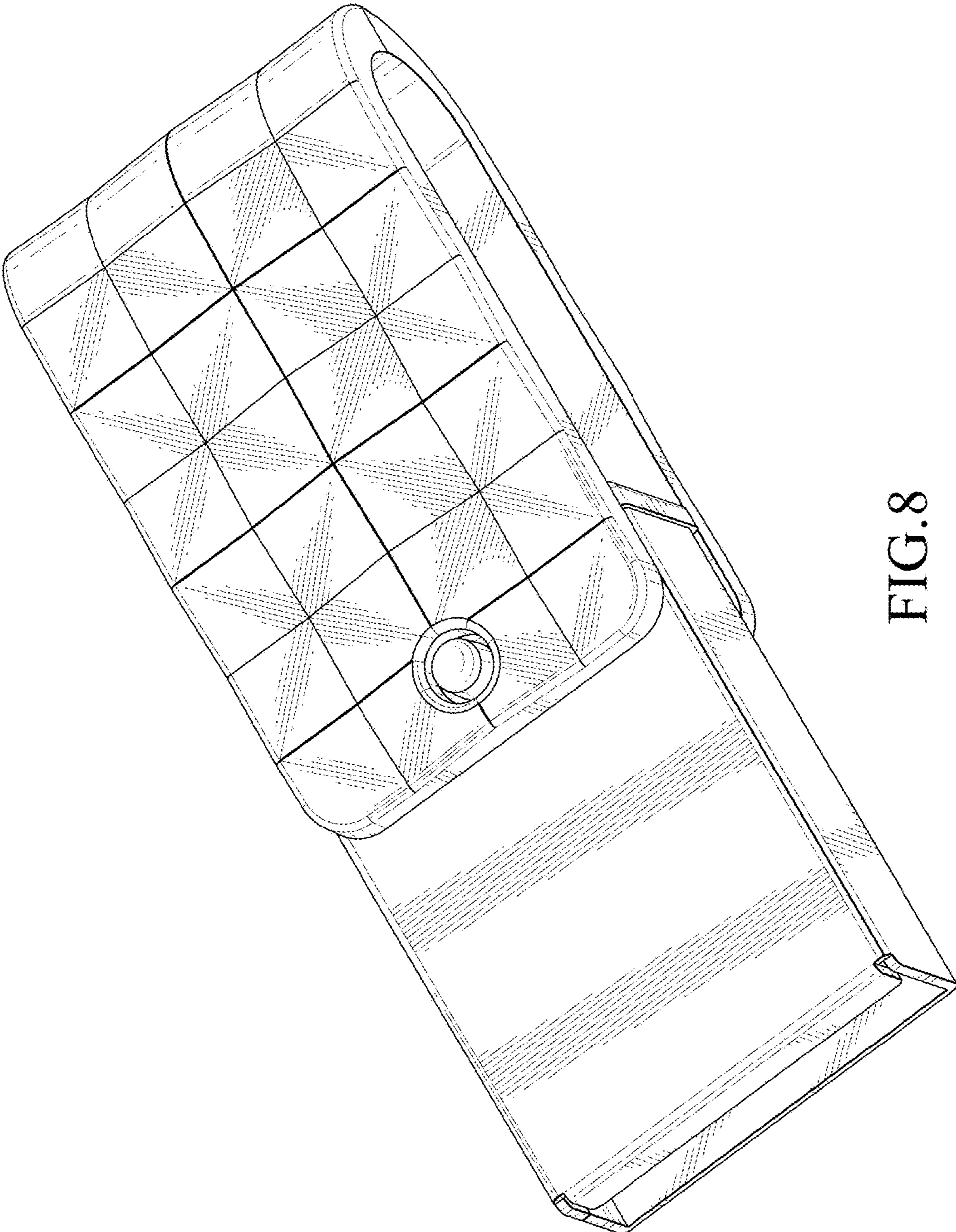


FIG.8

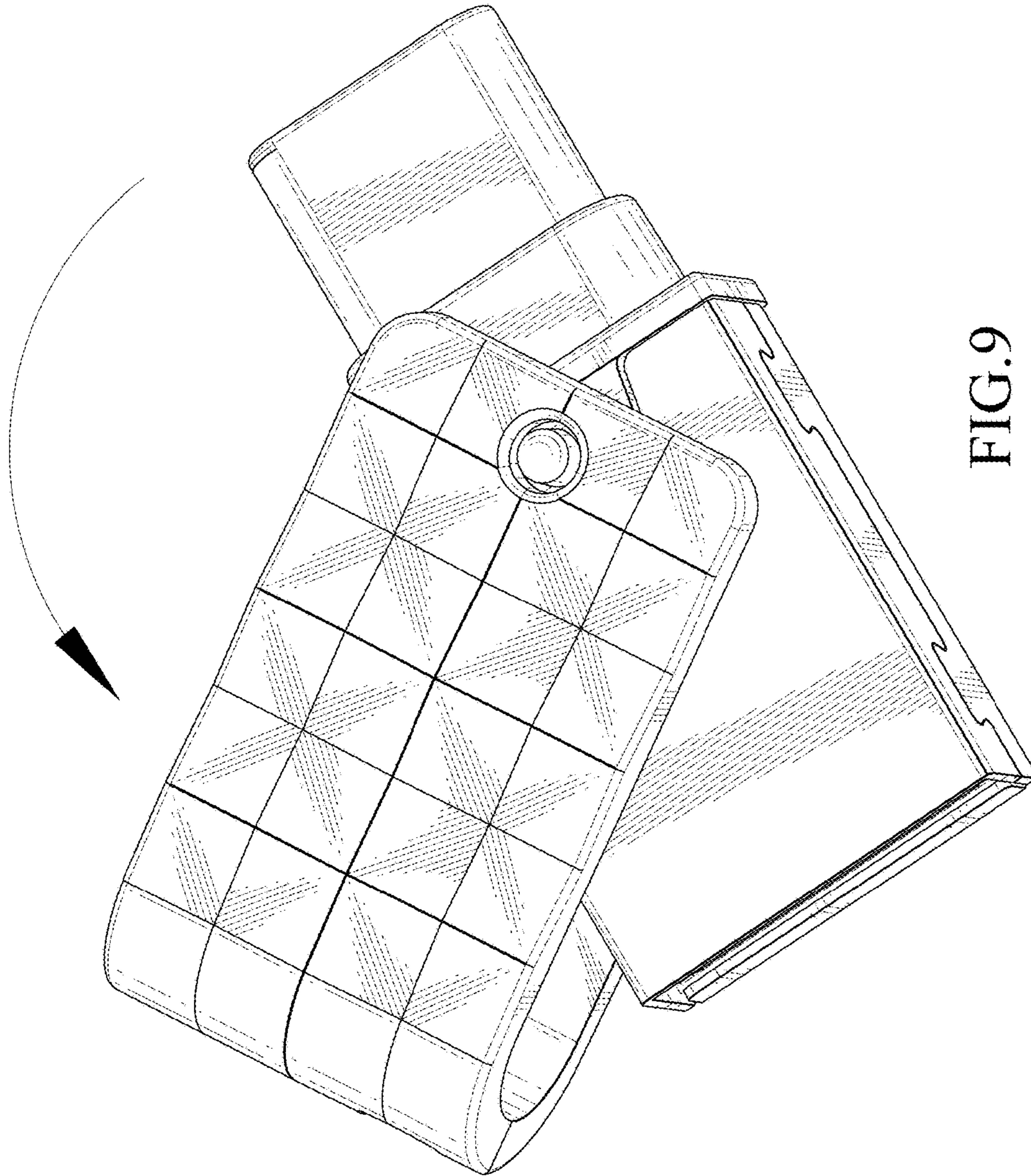


FIG.9

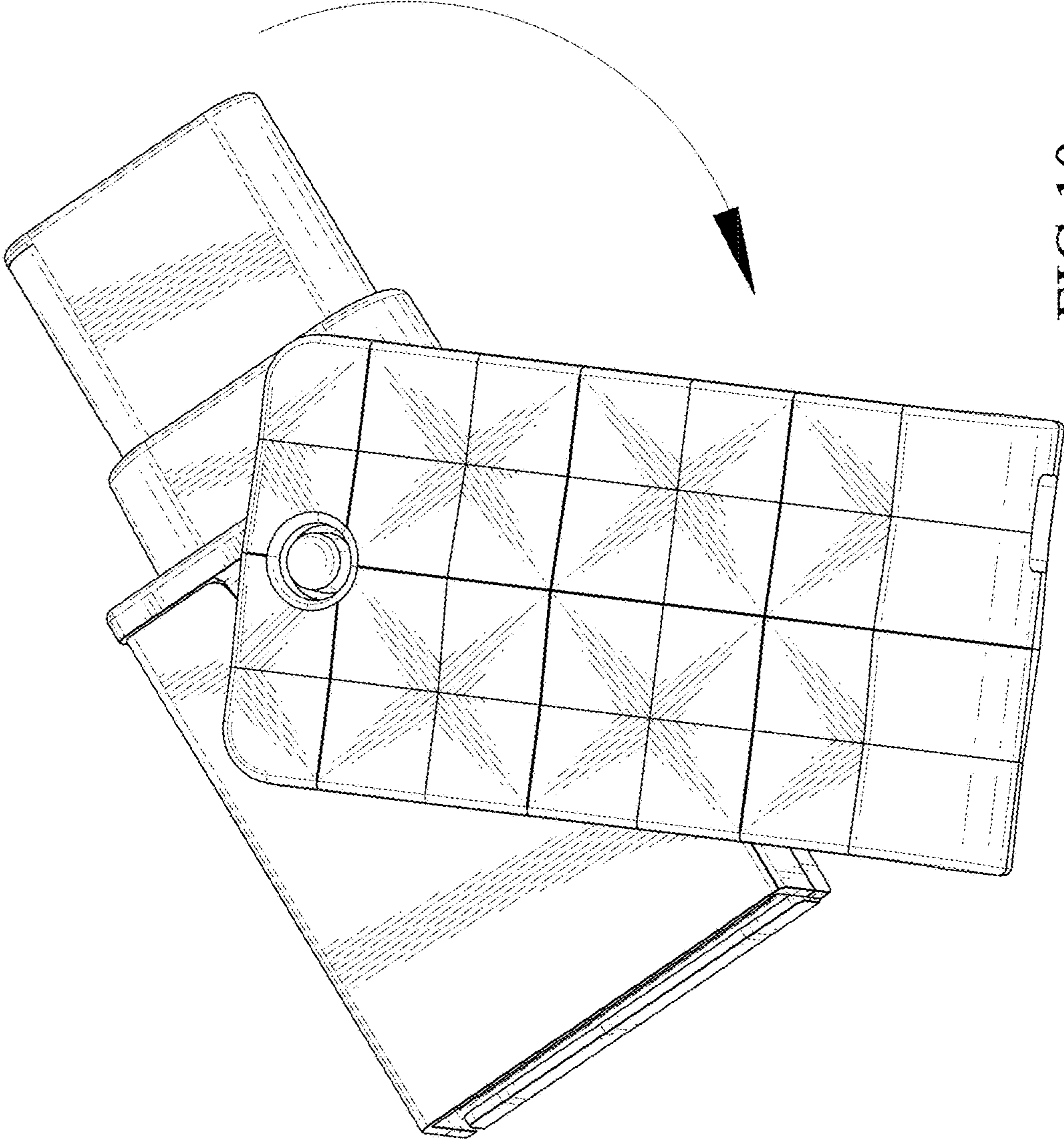


FIG.10