



US00D825578S

(12) **United States Design Patent**
Chiu et al.

(10) **Patent No.:** **US D825,578 S**

(45) **Date of Patent:** **** Aug. 14, 2018**

- (54) **PORTABLE STORAGE DEVICE**
- (71) Applicant: **SILICON POWER COMPUTER & COMMUNICATIONS INC.**, Taipei (TW)
- (72) Inventors: **Mei-Ling Chiu**, Hsinchu County (TW); **Wen-Te Shen**, Taipei (TW)
- (73) Assignee: **Silicon Power Computer & Communications Inc.**, Taipei (TW)

D669,899 S *	10/2012	Cheng	D14/435.1
D682,841 S *	5/2013	Suetake	D14/480.1
D685,383 S *	7/2013	Anderson	D14/480.5
D737,701 S *	9/2015	Payne	D10/78
D764,479 S *	8/2016	Kim	D14/480.1
D774,038 S *	12/2016	Emami	D14/480.1
D786,264 S *	5/2017	Lin	D14/480.1
D798,877 S *	10/2017	Huang	D14/480.1
D798,881 S *	10/2017	Tsai	D14/480.3
D803,841 S *	11/2017	Kim	D14/480.1

(**) Term: **15 Years**

(21) Appl. No.: **29/611,844**

(22) Filed: **Jul. 26, 2017**

(30) **Foreign Application Priority Data**

Jun. 23, 2017 (TW) 106303573

(51) **LOC (11) Cl.** **14-03**

(52) **U.S. Cl.**
USPC **D14/480.5**

(58) **Field of Classification Search**
USPC D14/435.1, 480.1-480.7, 411, 433, 436,
D14/484.1, 137, 155, 203.1-203.8, 240,
D14/242; D13/133, 154
See application file for complete search history.

(56) **References Cited**

U.S. PATENT DOCUMENTS

D547,311 S *	7/2007	Chen	D14/480.7
D597,879 S *	8/2009	Aikawa	D10/104.1
D631,055 S *	1/2011	Gilbert	D14/242

* cited by examiner

Primary Examiner — Angela J Lee

(74) *Attorney, Agent, or Firm* — Rosenberg, Klein & Lee

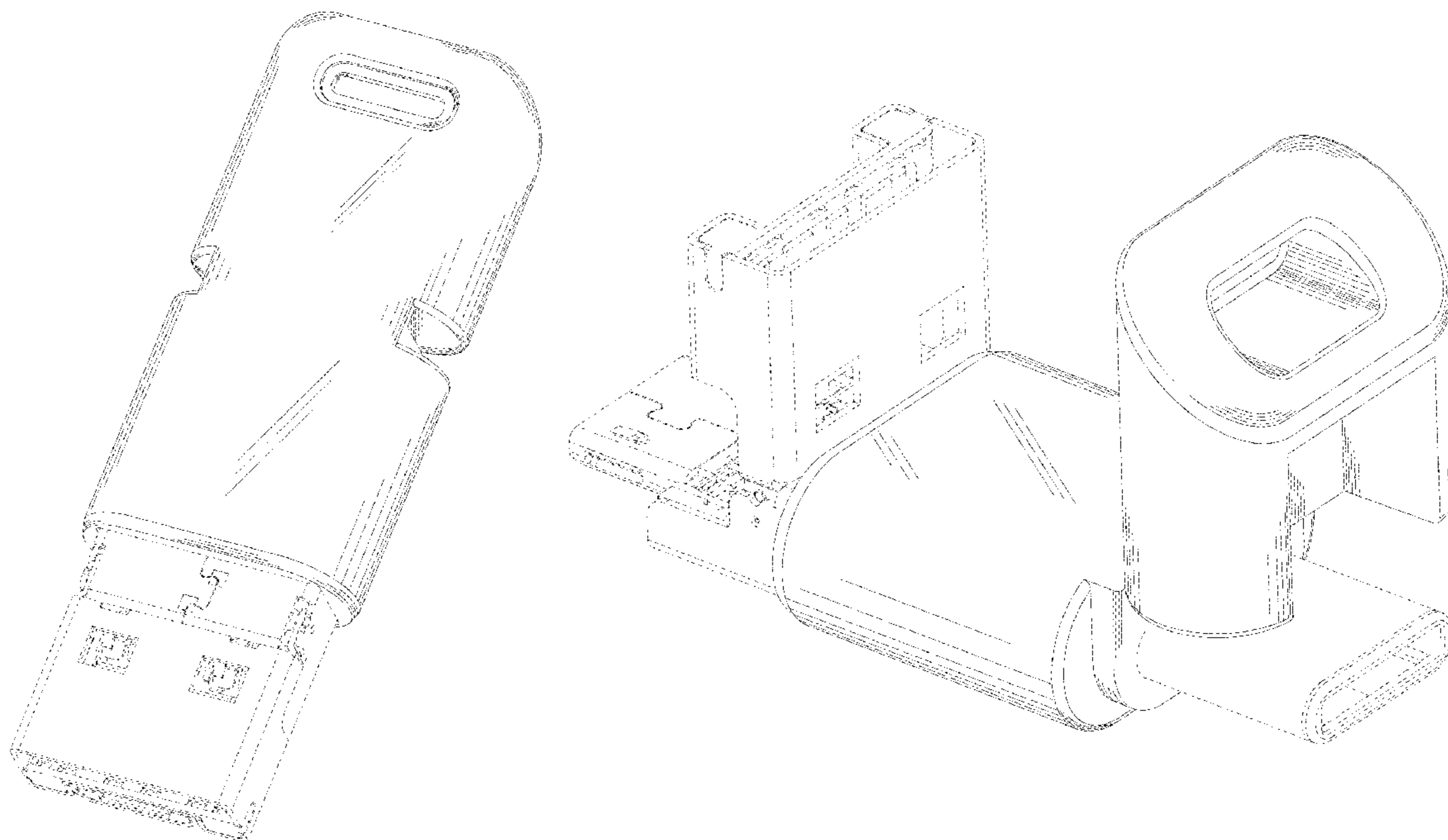
(57) **CLAIM**

The ornamental design for a portable storage device, as shown and described.

DESCRIPTION

FIG. 1 is a top perspective view of the portable access device, showing our new design;
 FIG. 2 is a bottom perspective view thereof;
 FIG. 3 is a front elevational view thereof;
 FIG. 4 is a rear elevational view thereof;
 FIG. 5 is a left side elevational view thereof;
 FIG. 6 is a right side elevational view thereof;
 FIG. 7 is a top plan view thereof;
 FIG. 8 is a bottom plan view thereof; and,
 FIG. 9 is a perspective view thereof showing the portable storage device in an alternate position.
 The broken lines in the figures show portions of the portable storage device that form no part of the claimed design.
 The shade lines in the figures show contour and not surface ornamentation.

1 Claim, 9 Drawing Sheets



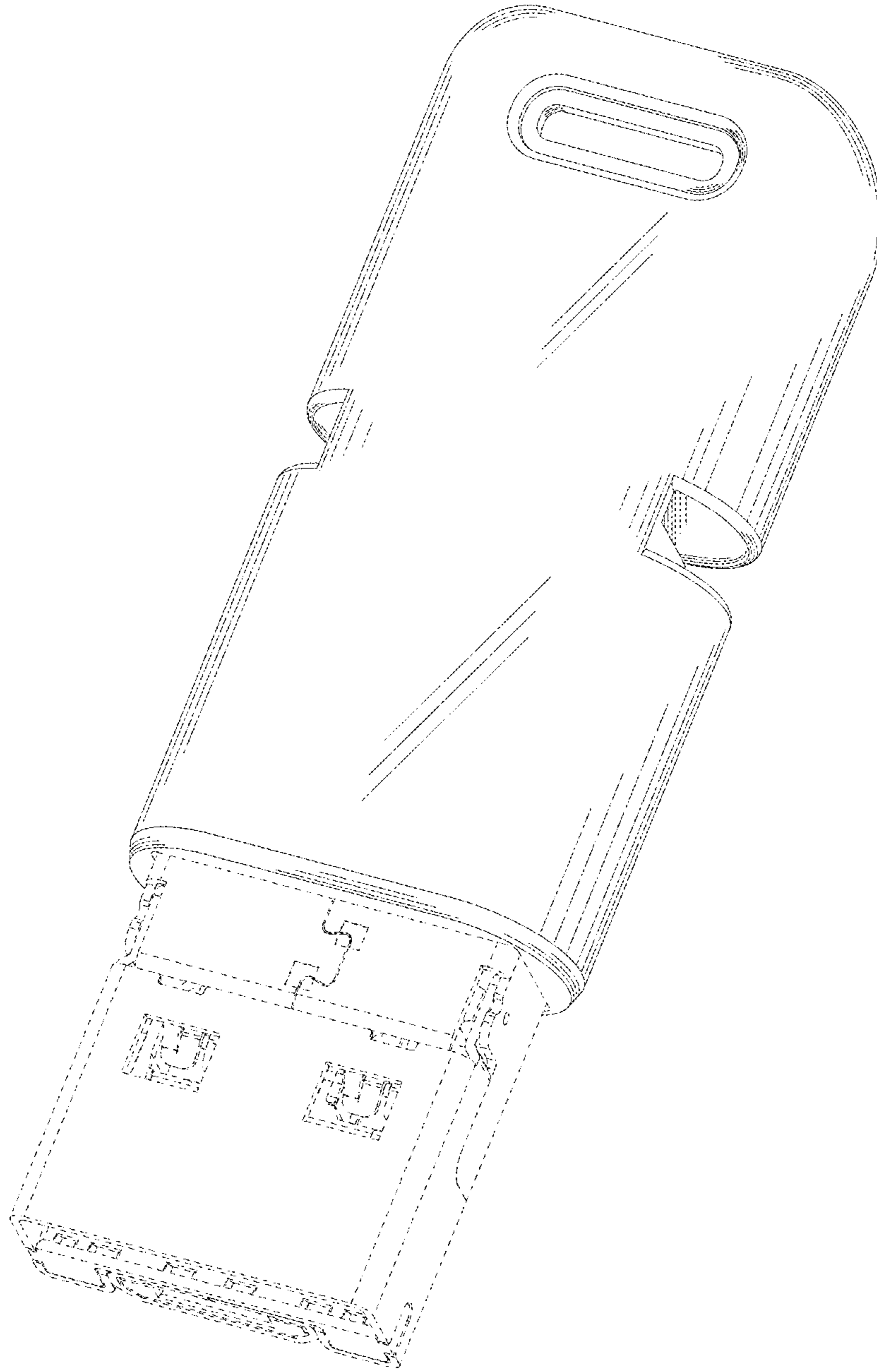


FIG.1

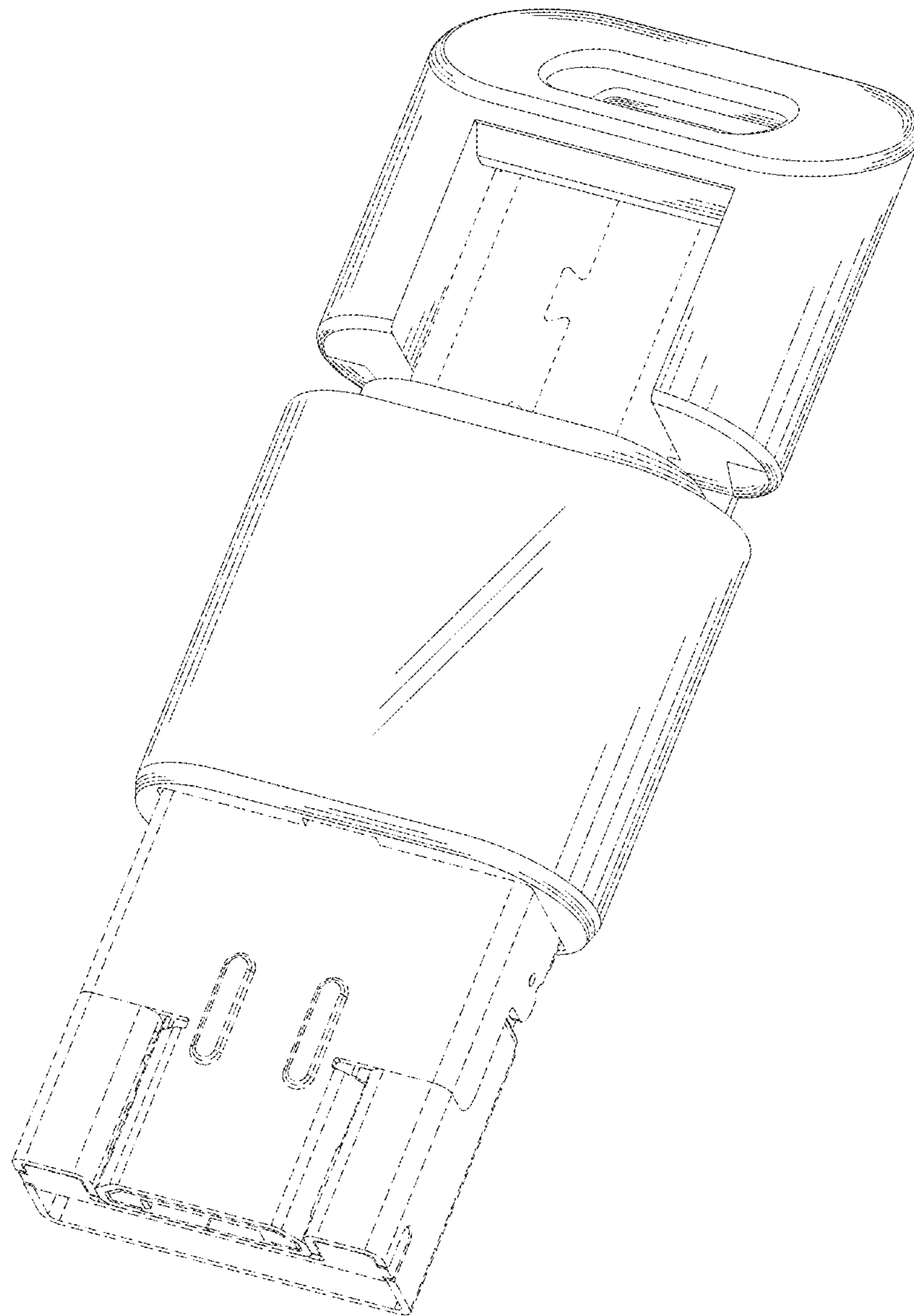


FIG.2

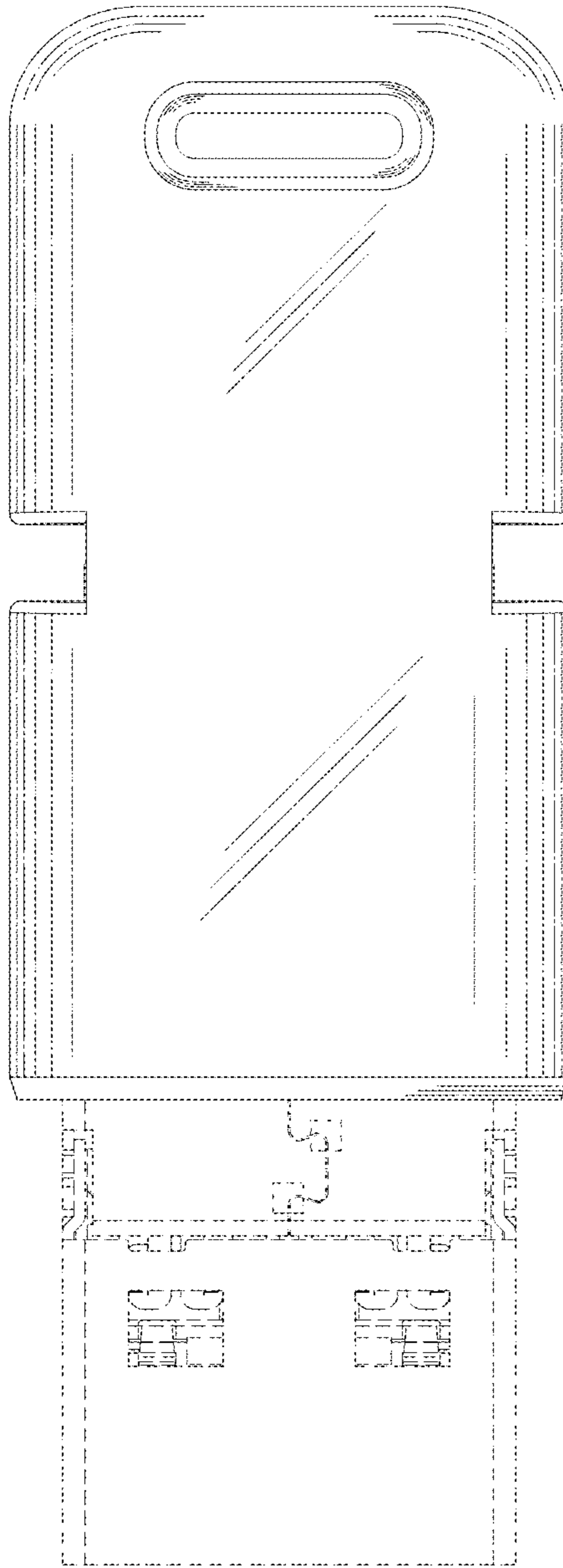


FIG.3

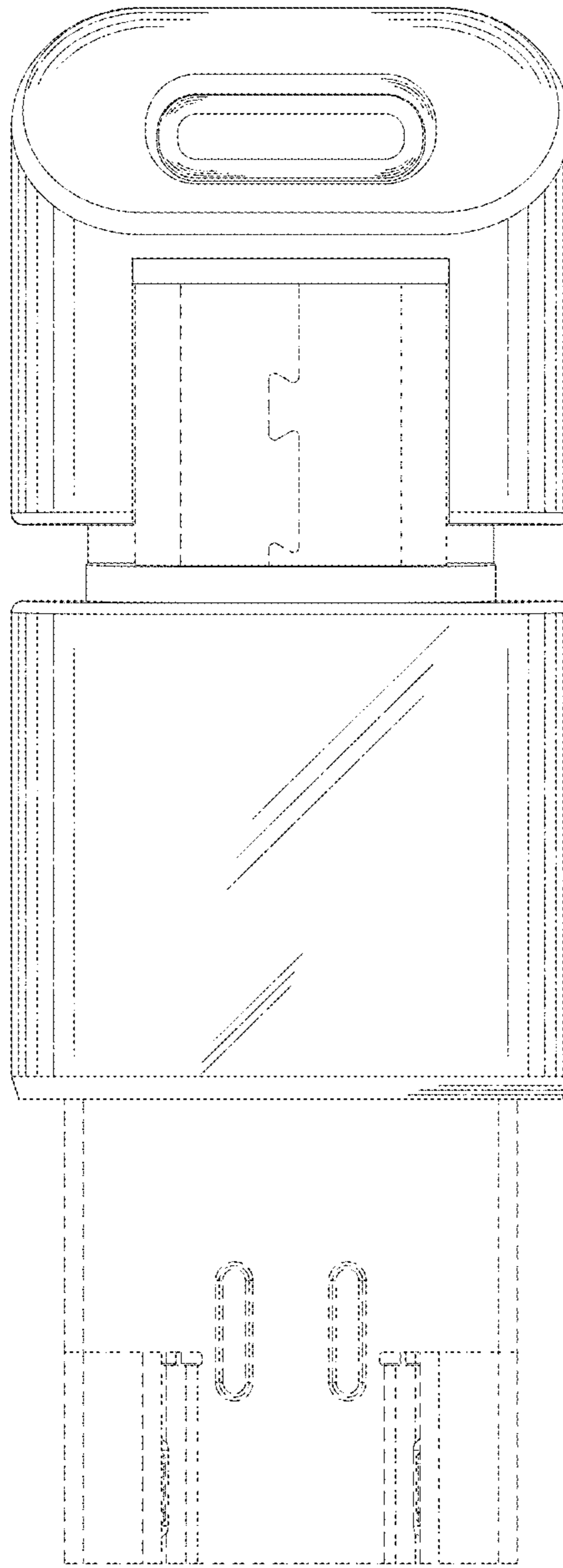


FIG.4

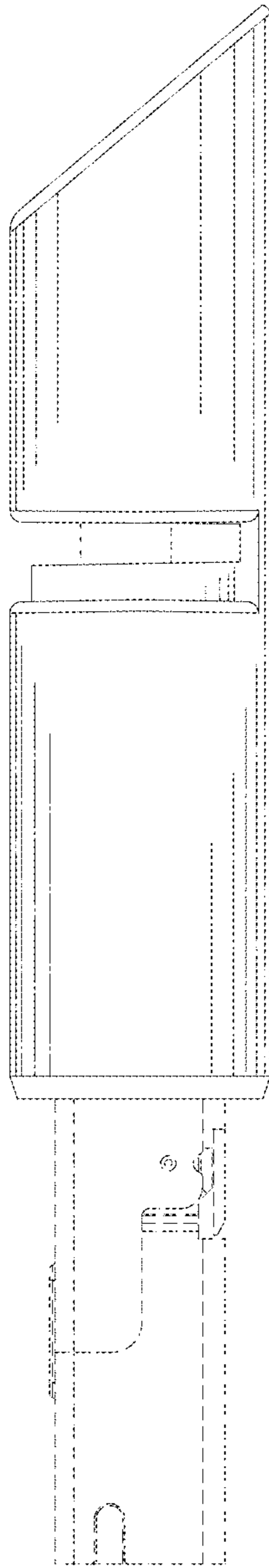


FIG.5

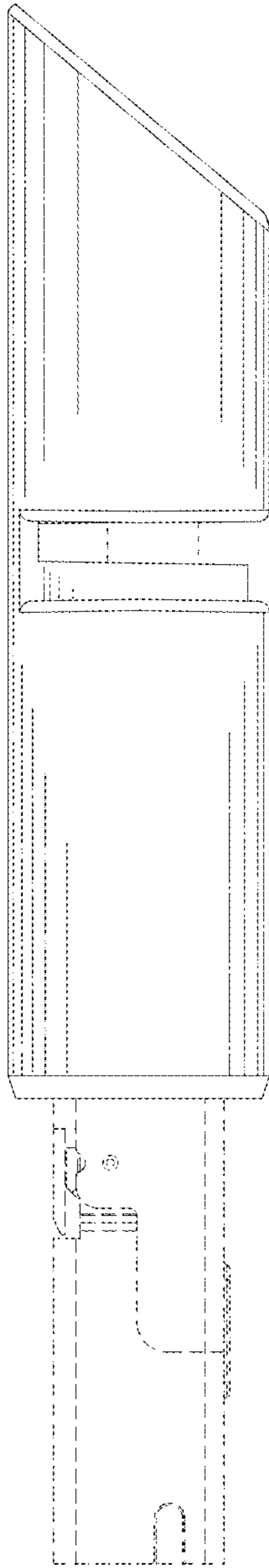


FIG.6

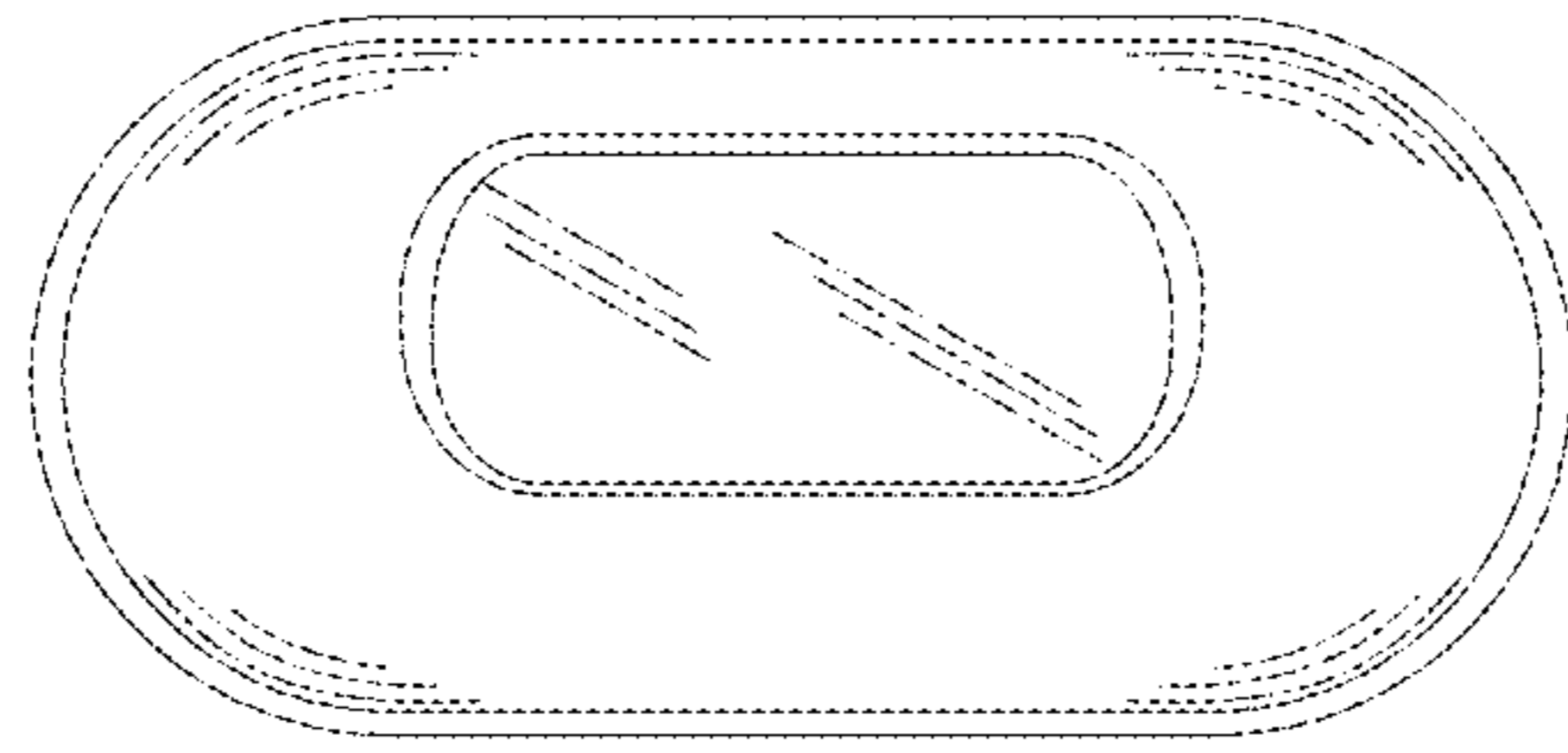


FIG. 7

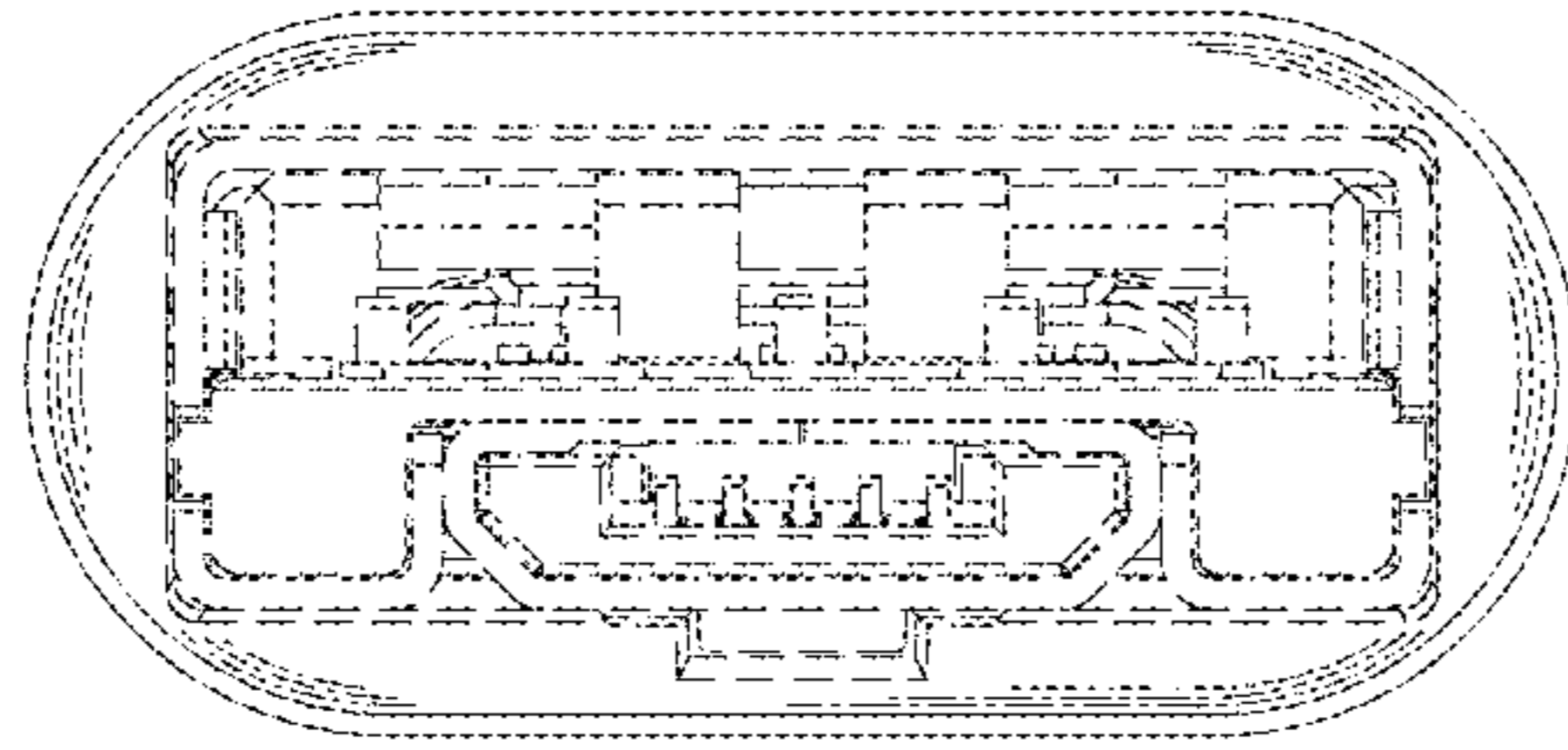


FIG.8

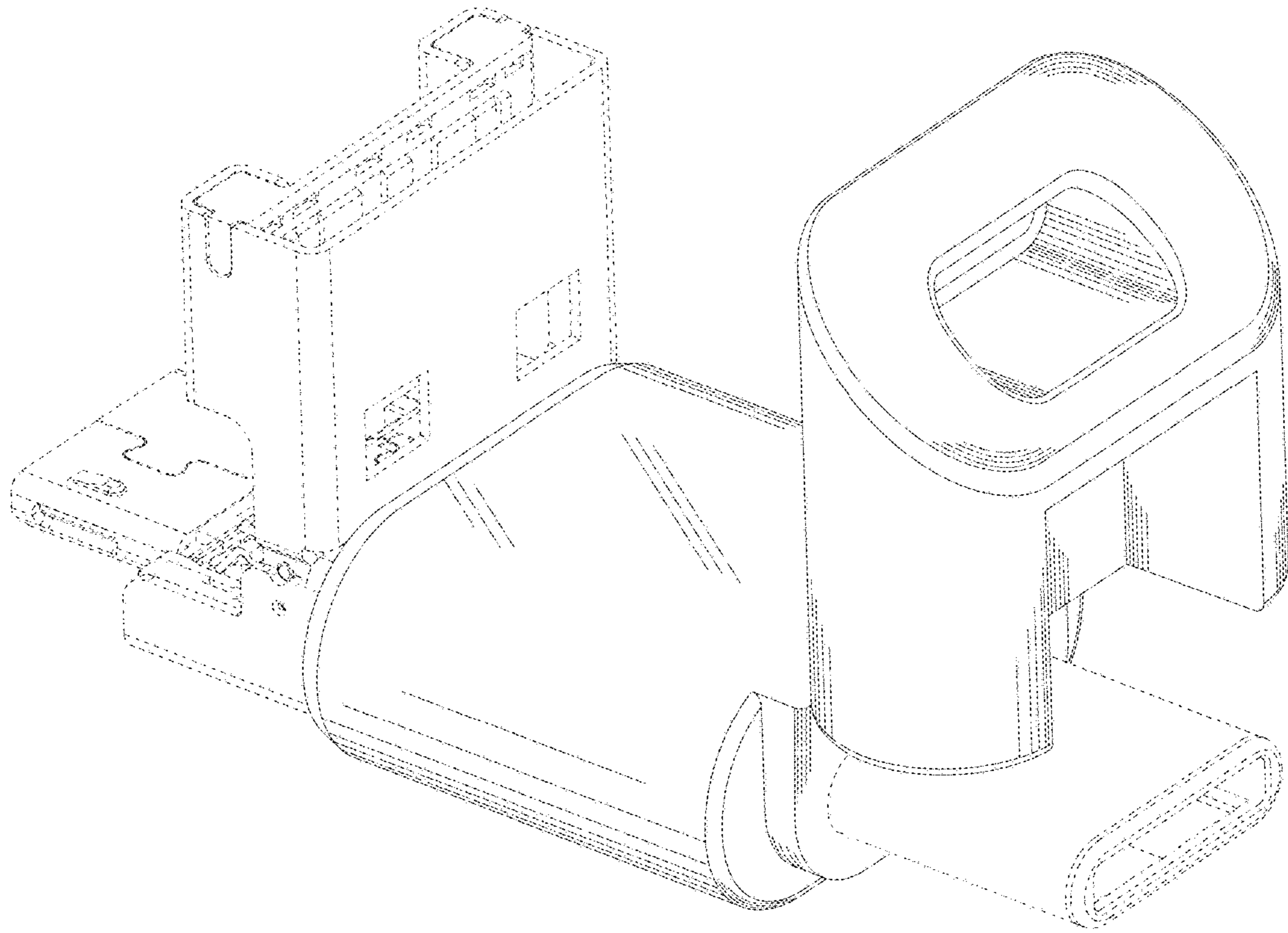


FIG.9