

US00D825576S

(12) **United States Design Patent** (10) **Patent No.:** **US D825,576 S**
Krupa et al. (45) **Date of Patent:** **** Aug. 14, 2018**

(54) **HOLDER FOR ELECTRONIC DEVICES**
(71) Applicants: **POLITECHNIKA POZNANSKA**,
Poznan (PL); **“ZELAZNY 6”**
WOJCIECH KRUPA, Kobylnica (PL)

(72) Inventors: **Wojciech Krupa**, Wierzyce (PL);
Michal Cialkowski, Mosina (PL)

(**) Term: **15 Years**

(21) Appl. No.: **35/502,779**

(22) Filed: **Mar. 2, 2017**

(80) **Hague Agreement Data**

Int. Filing Date: **Mar. 2, 2017**
Int. Reg. No.: **DM/095457**
Int. Reg. Date: **Mar. 2, 2017**
Int. Reg. Pub. Date: **Apr. 7, 2017**

(30) **Foreign Application Priority Data**

Sep. 21, 2016 (PL) WP.24863

(51) **LOC (11) Cl.** **08-07**

(52) **U.S. Cl.**
USPC **D14/447; D14/253**

(58) **Field of Classification Search**
USPC D14/239, 432, 434, 439, 440, 447, 451,
D14/452, 457; D6/406.3, 406.4, 406.5,
D6/406.6; D8/363, 373, 380; D12/415
CPC ... A47B 21/04; A47B 23/04; A47B 2097/006;
A47B 2097/005; A47B 2023/049; A45C
2011/002; A45C 2011/003; F16M 11/10;
F16M 11/2021; F16M 11/40; F16M
11/242; F16M 13/00; F16M 2200/00
See application file for complete search history.

(56) **References Cited**

U.S. PATENT DOCUMENTS

D637,593 S * 5/2011 Zanetti D14/253
D650,774 S * 12/2011 Molter D14/239

D653,668 S * 2/2012 Song D14/447
D658,169 S * 4/2012 Mo D14/253
8,240,628 B2 * 8/2012 Huang F16M 11/041
248/122.1
D669,481 S * 10/2012 Prescott D14/447
D674,804 S * 1/2013 Cote D14/447
D686,629 S * 7/2013 Trinh D14/447
D689,502 S * 9/2013 Belitz D14/447
D694,228 S * 11/2013 Richter D14/253
D697,919 S * 1/2014 Gelsomini D14/447
D710,340 S * 8/2014 Wengreen D14/238.1
D710,363 S * 8/2014 Wengreen D14/432
D711,867 S * 8/2014 Harris D14/253
8,814,128 B2 * 8/2014 Trinh A47F 7/024
248/187.1
D712,394 S * 9/2014 Booth D14/253
D721,073 S * 1/2015 Alesi D14/253
D721,074 S * 1/2015 Harris D14/253
D723,042 S * 2/2015 Lee D14/447
D724,598 S * 3/2015 Gelsomini D14/447
D734,305 S * 7/2015 Wengreen D14/238
D751,401 S * 3/2016 Kuo D9/432
D757,549 S * 5/2016 Kuo D9/432
D767,557 S * 9/2016 Lee D14/253
D769,858 S * 10/2016 Carruthers D14/253
D772,217 S * 11/2016 Alesi D14/253
D772,859 S * 11/2016 Alesi D14/253
D773,465 S * 12/2016 Palmer D14/434

(Continued)

Primary Examiner — Darlington Ly

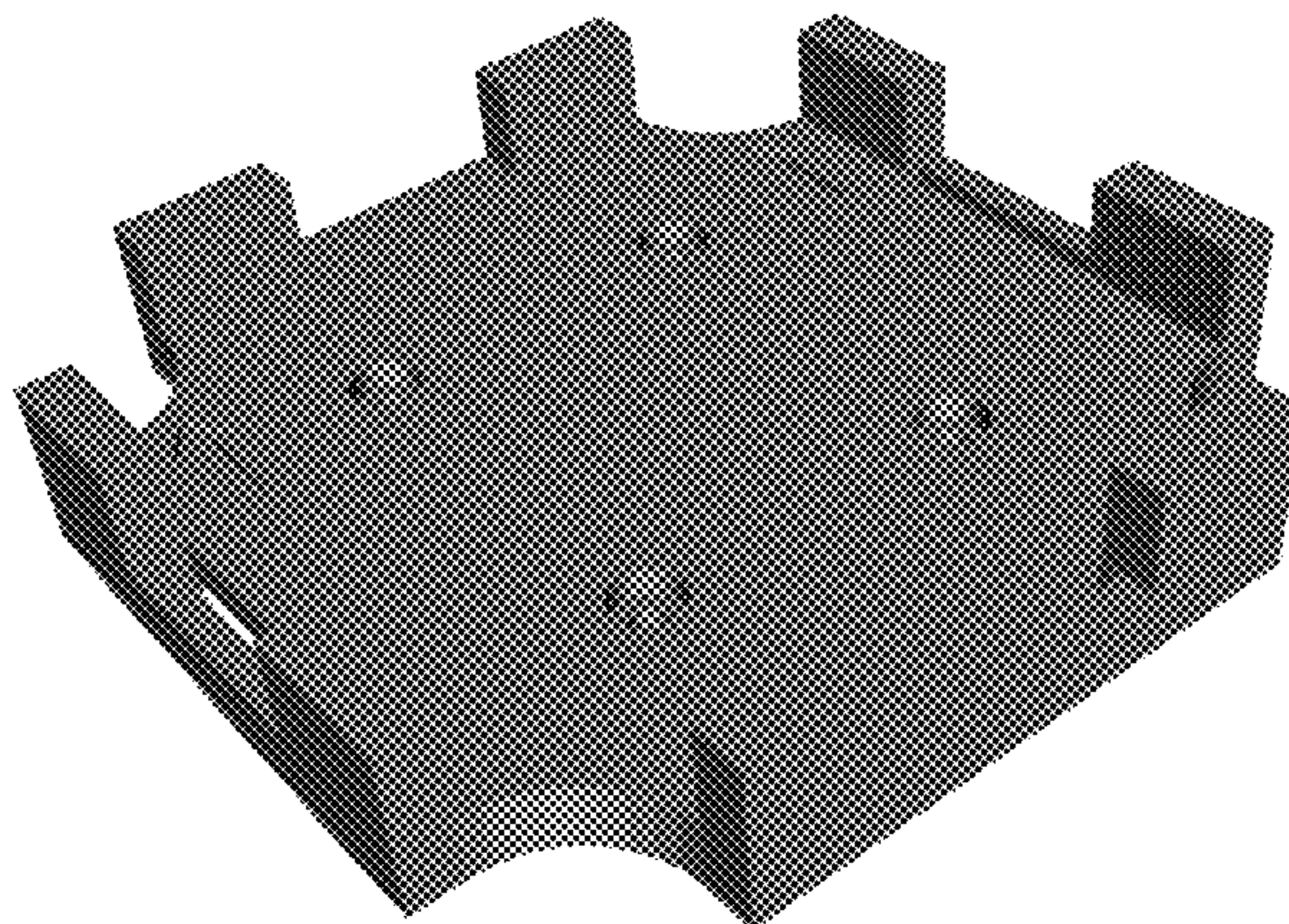
(57) **CLAIM**

The ornamental design for a holder for electronic devices, as shown and described.

DESCRIPTION

1. Holder for electronic devices
1.1 is a top perspective view of a holder for electronic devices showing our new design;
1.2 is a bottom perspective view thereof; and
1.3 is a top view thereof.

1 Claim, 3 Drawing Sheets



(56)

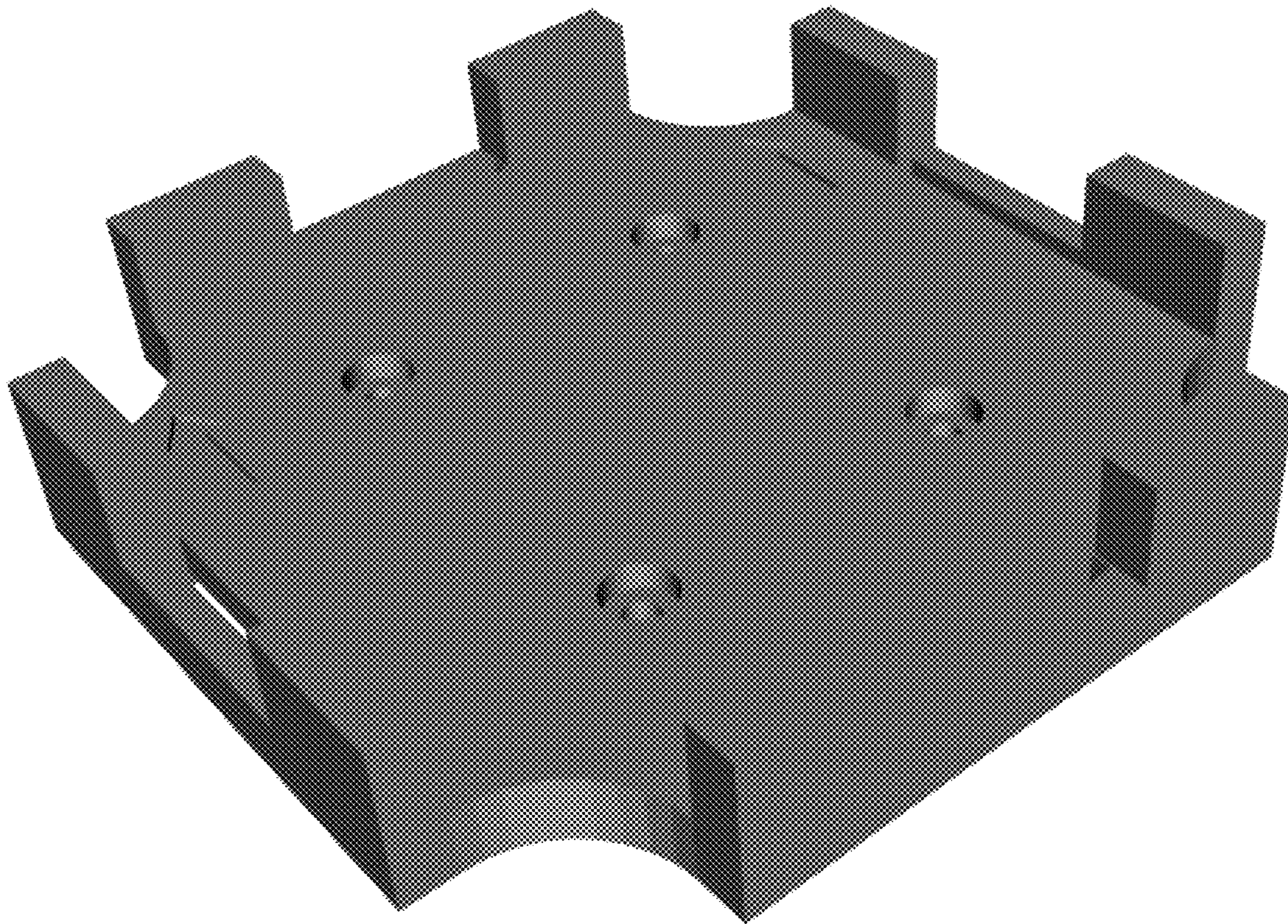
References Cited

U.S. PATENT DOCUMENTS

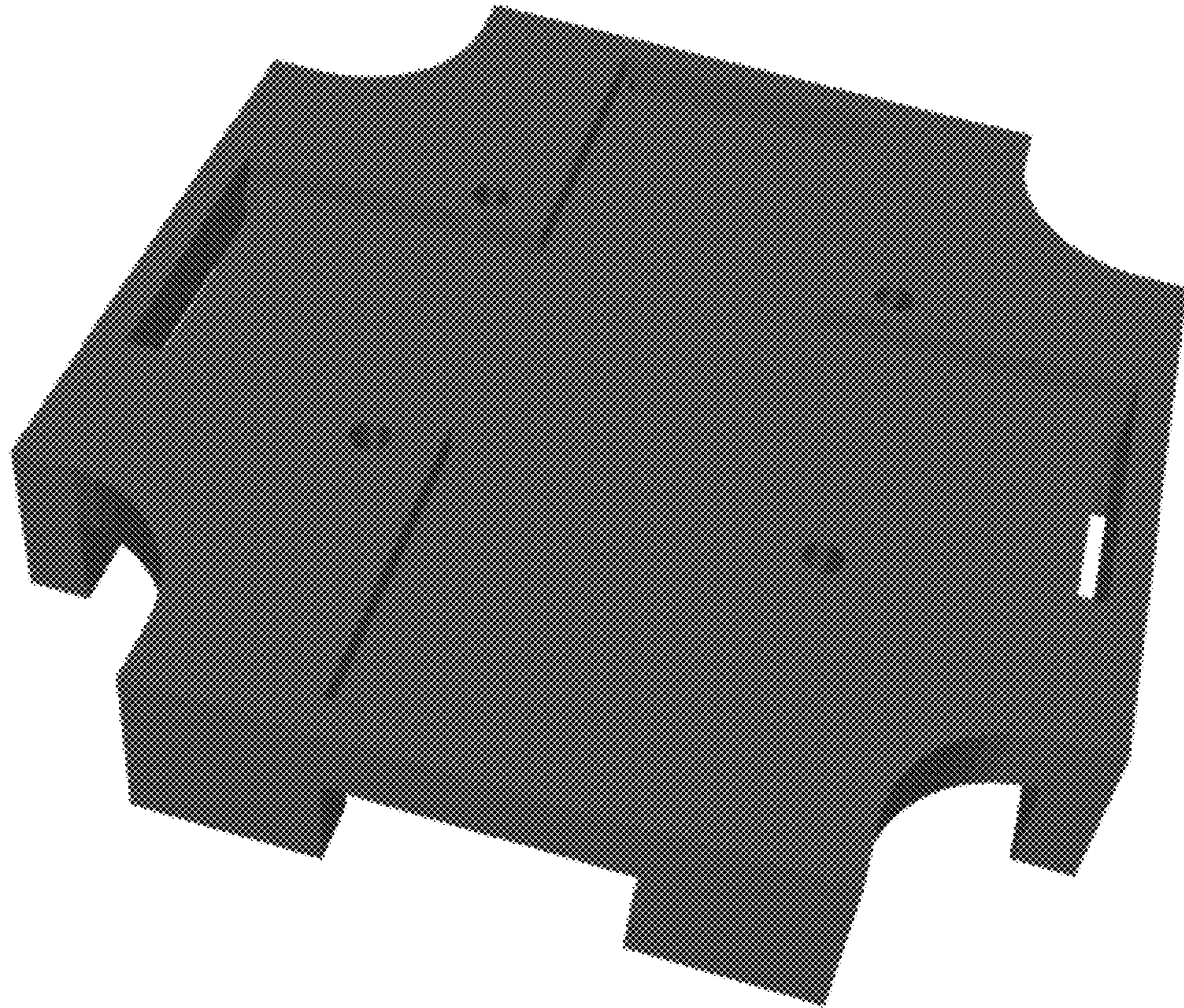
D777,167 S * 1/2017 Wengreen D14/447
D784,977 S * 4/2017 Ormsbee D14/253
D790,528 S * 6/2017 Lindloff D14/253
D791,117 S * 7/2017 Silva H04B 1/38
D14/253
D798,305 S * 9/2017 Wengreen D14/447
D803,030 S * 11/2017 Wengreen H05K 5/0204
D8/354
D806,521 S * 1/2018 Wengreen D8/354
D808,367 S * 1/2018 Wengreen D14/238.1
D811,380 S * 2/2018 Choi D14/253
D812,064 S * 3/2018 Wengreen D14/434
D813,241 S * 3/2018 Wengreen D14/434
2015/0162948 A1 * 6/2015 Restivo H04B 1/3888
455/575.8

* cited by examiner

1.1



1.2



1.3

