



US00D825575S

(12) **United States Design Patent**  
**Gao**

(10) **Patent No.:** **US D825,575 S**

(45) **Date of Patent:** **\*\* Aug. 14, 2018**

(54) **STAND FOR ELECTRONIC DEVICES**

(71) Applicant: **Shenzhen Naxiang Technology Co., Ltd.**, Shenzhen (CN)

(72) Inventor: **Binliang Gao**, Shenzhen (CN)

(73) Assignee: **Shenzhen naxiang technology co. Ltd.**, Shenzhen (CN)

(\*\*) Term: **15 Years**

(21) Appl. No.: **29/616,879**

(22) Filed: **Sep. 9, 2017**

(51) **LOC (11) Cl.** ..... **08-07**

(52) **U.S. Cl.**  
USPC ..... **D14/447**

(58) **Field of Classification Search**  
USPC ..... D14/447, 432, 434, 439, 440, 451, 452, D14/457, 239; D8/363, 373, 380; D6/406.3, 406.4, 406.5, 406.6; D12/415  
CPC ..... A47B 21/04; A47B 2097/006; A47B 2097/005; A47B 2023/049; A45C 2011/002; A45C 2011/003; F16M 2200/00; F16M 13/00  
See application file for complete search history.

(56) **References Cited**

**U.S. PATENT DOCUMENTS**

D652,043 S \* 1/2012 Lee ..... D14/447  
D665,812 S \* 8/2012 Huang ..... D14/447

D667,012 S \* 9/2012 Chen ..... D14/447  
D676,055 S \* 2/2013 Izen ..... D14/447  
D703,676 S \* 4/2014 Smith ..... D14/447  
D714,297 S \* 9/2014 Poulsen ..... D14/447  
D722,317 S \* 2/2015 Parameshwara ..... D14/447  
D726,733 S \* 4/2015 Specht ..... D14/447  
D752,595 S \* 3/2016 Heckler ..... D14/447  
D754,135 S \* 4/2016 Cromack ..... D14/447  
D756,367 S \* 5/2016 Kim ..... D14/447  
D791,861 S \* 7/2017 Battle ..... D14/447

\* cited by examiner

*Primary Examiner* — Angela J Lee

(74) *Attorney, Agent, or Firm* — ScienBiziP, P.C.

(57) **CLAIM**

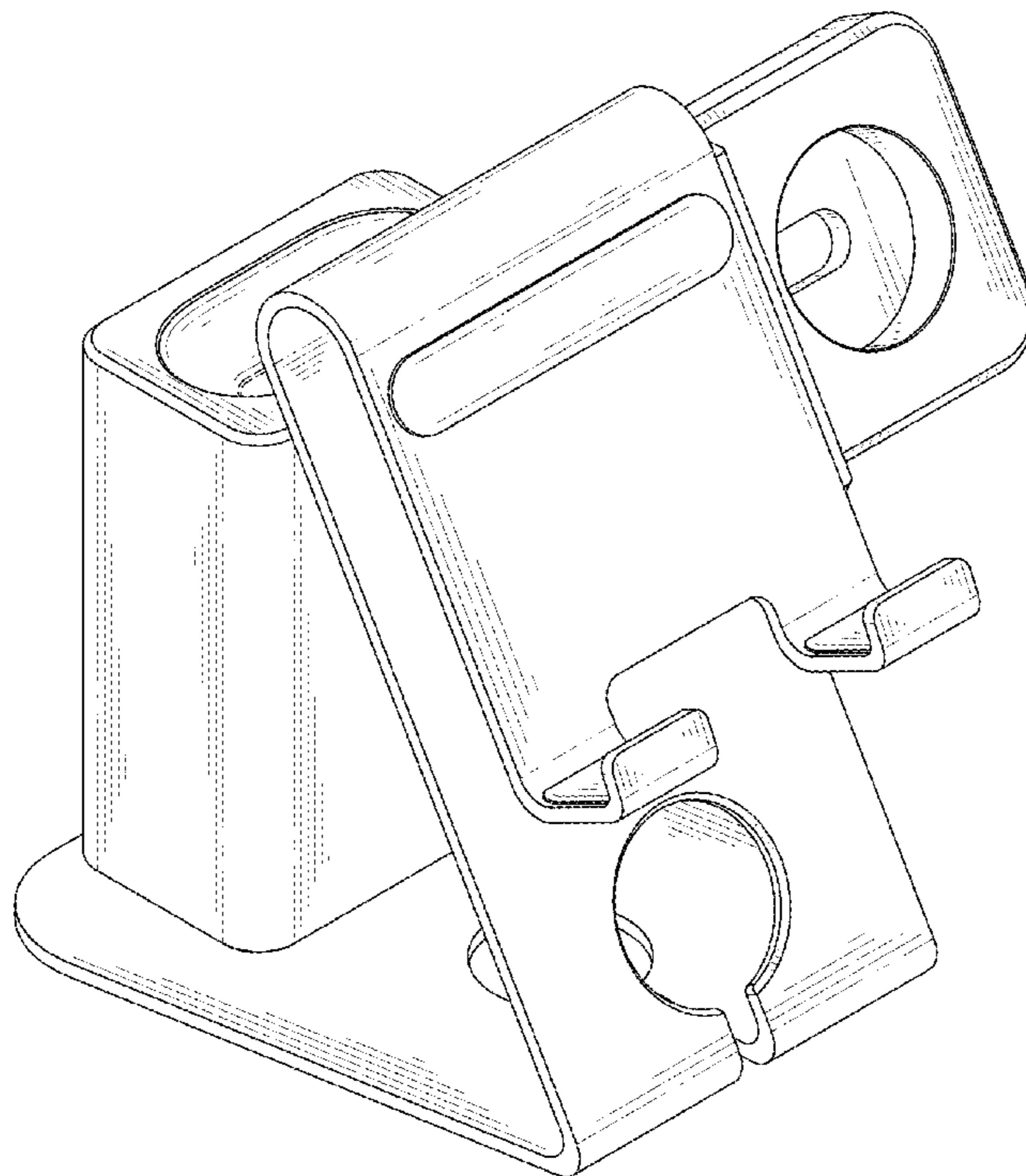
The ornamental design for a stand for electronic devices, as shown and described.

**DESCRIPTION**

FIG. 1 is a first perspective view of a stand for electronic devices showing my new design;  
FIG. 2 is a second perspective view thereof;  
FIG. 3 is a front elevational view thereof;  
FIG. 4 is a rear elevational view thereof;  
FIG. 5 is a left elevational view thereof;  
FIG. 6 is a right elevational view thereof;  
FIG. 7 is a top plan view thereof; and,  
FIG. 8 is a bottom plan view thereof.

The broken lines in the drawings illustrate portions of the stand for electronic devices which form no part of the claimed design.

**1 Claim, 8 Drawing Sheets**



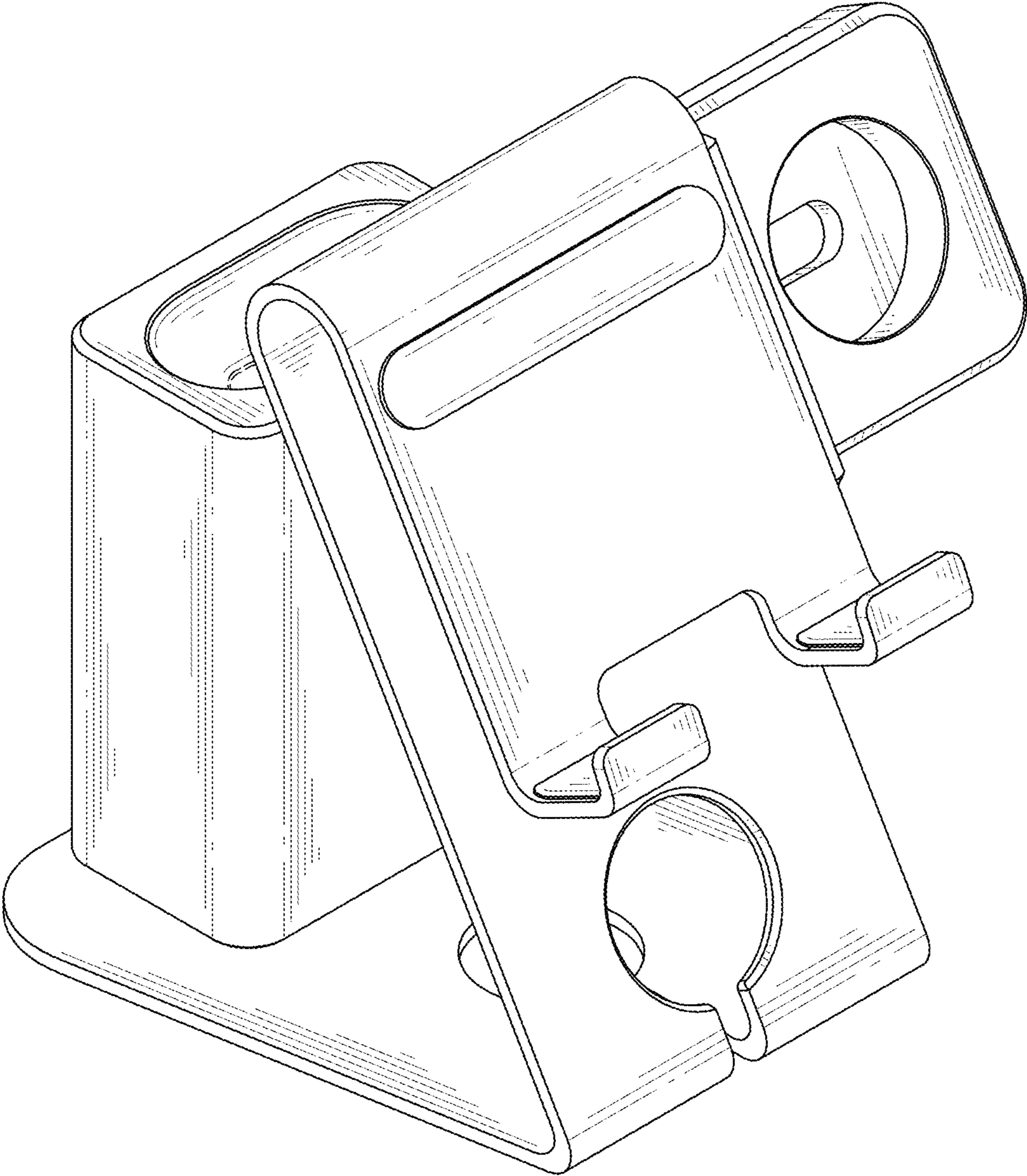


FIG. 1

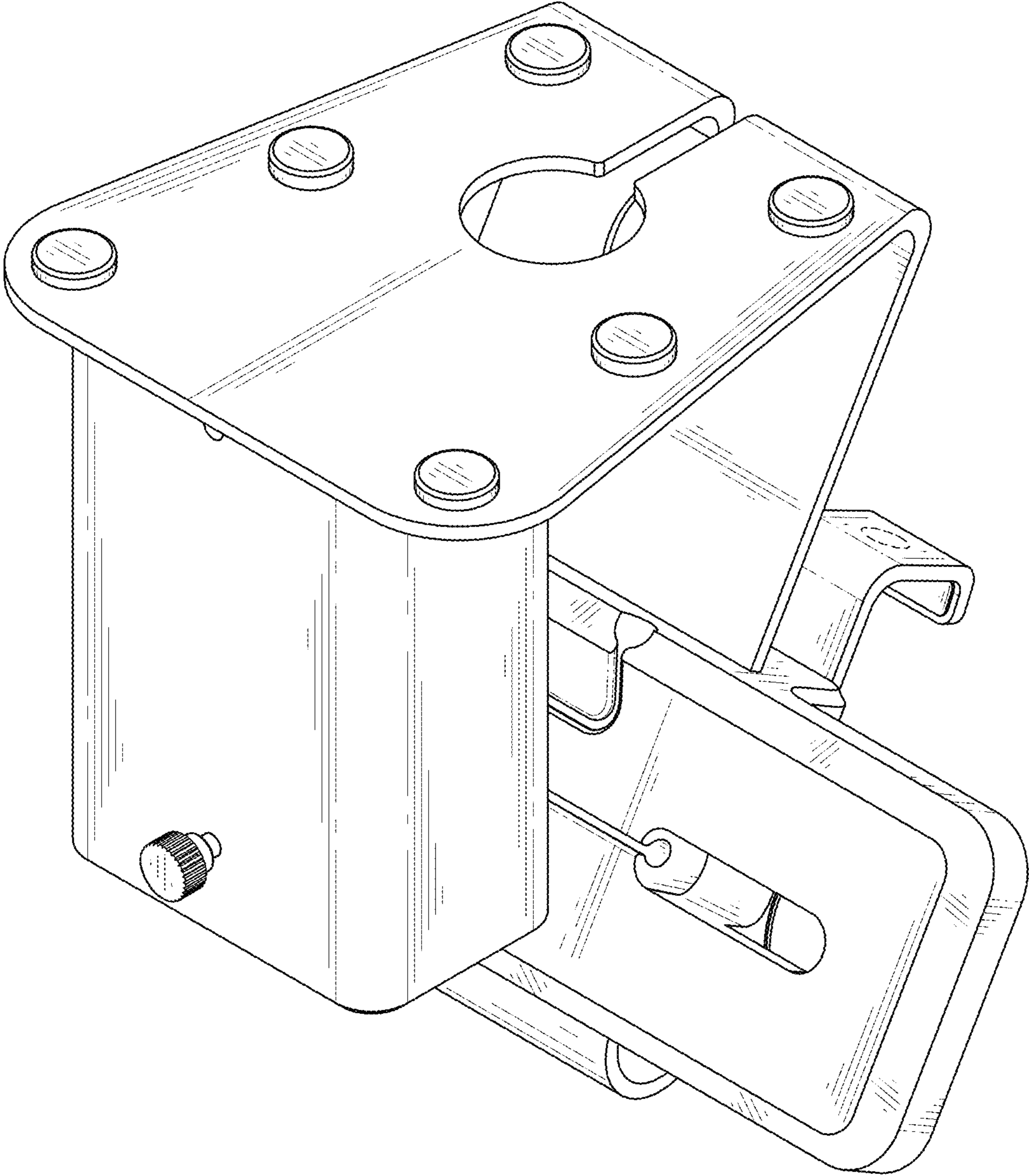


FIG. 2

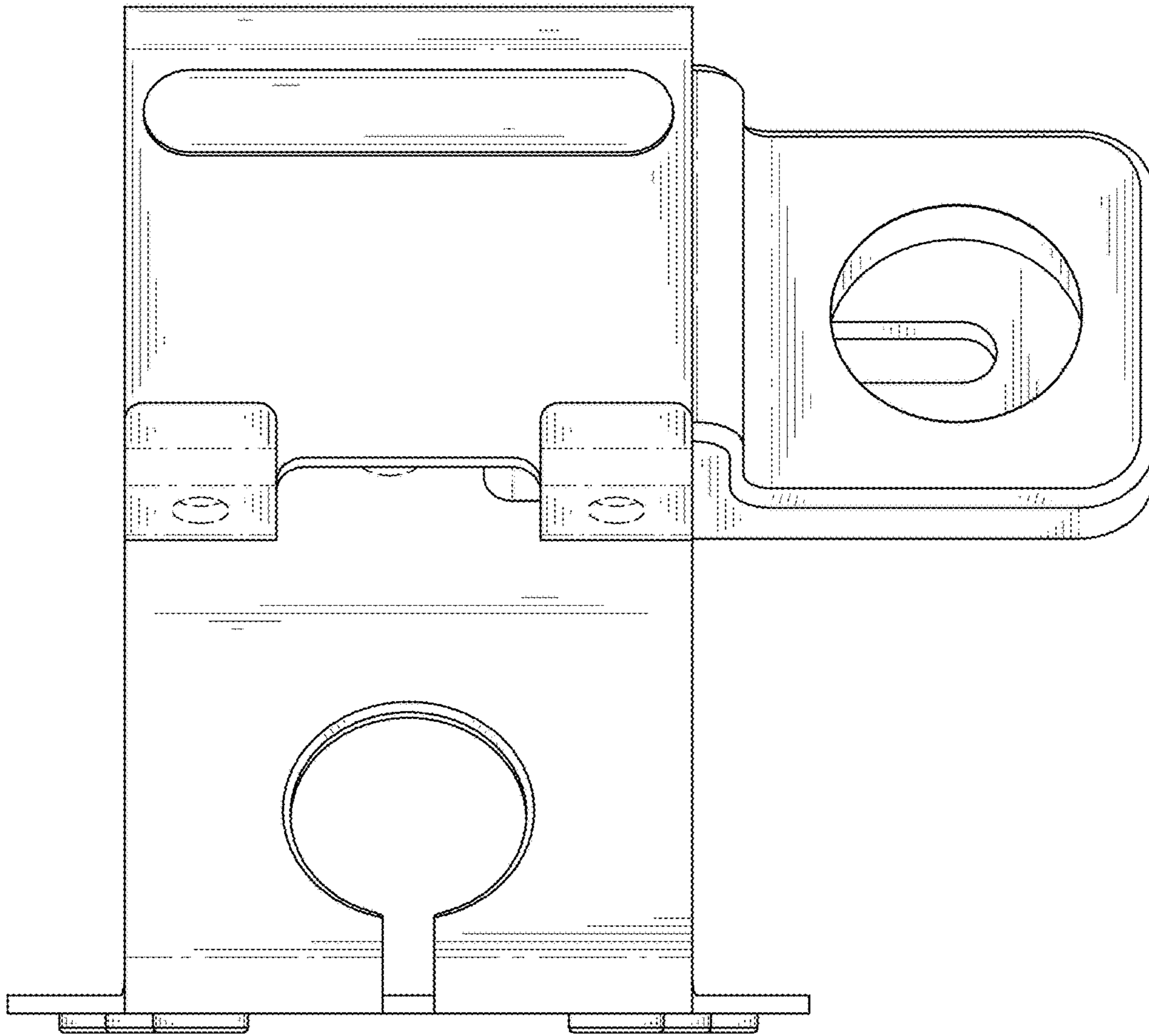


FIG. 3

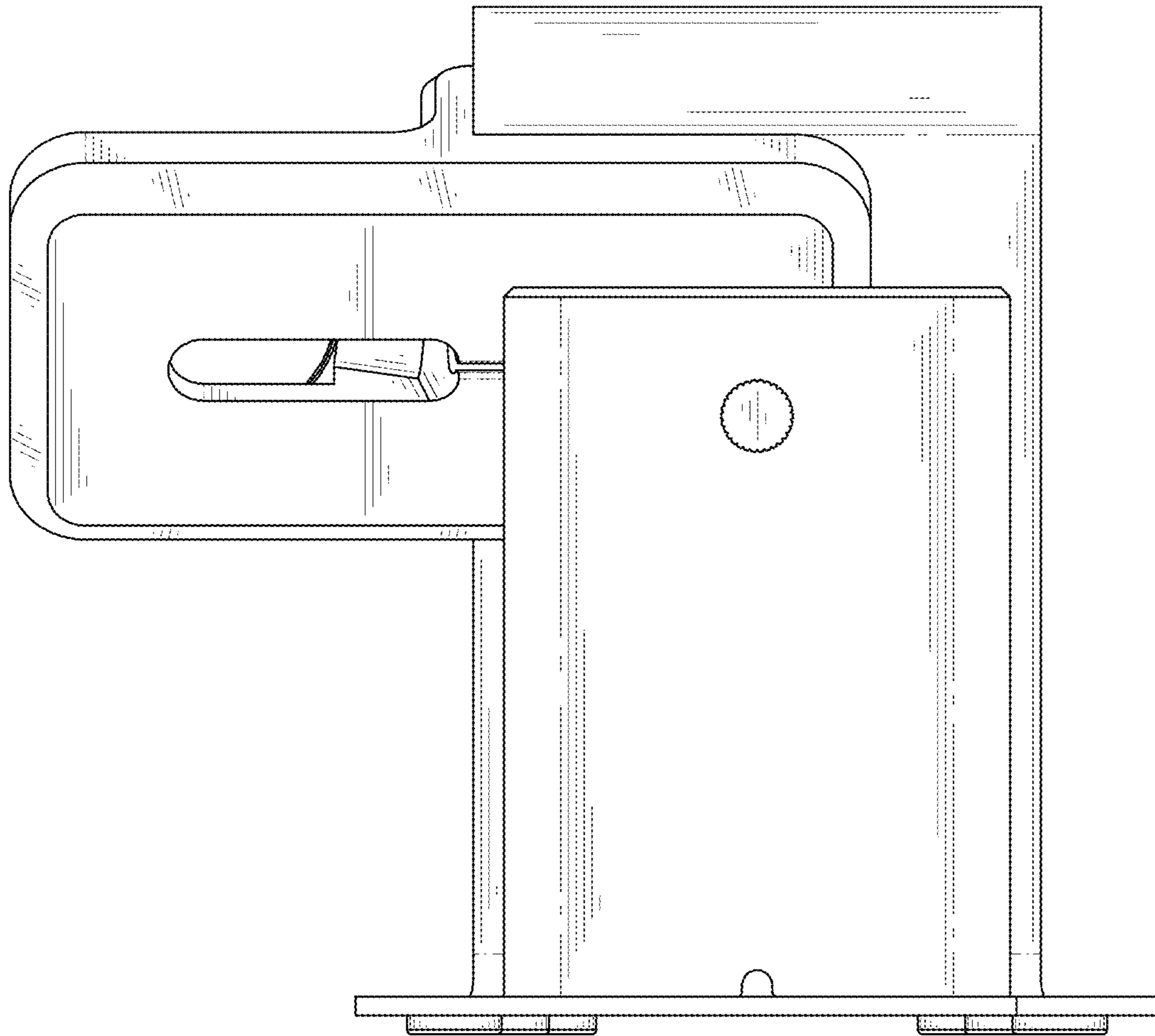


FIG. 4

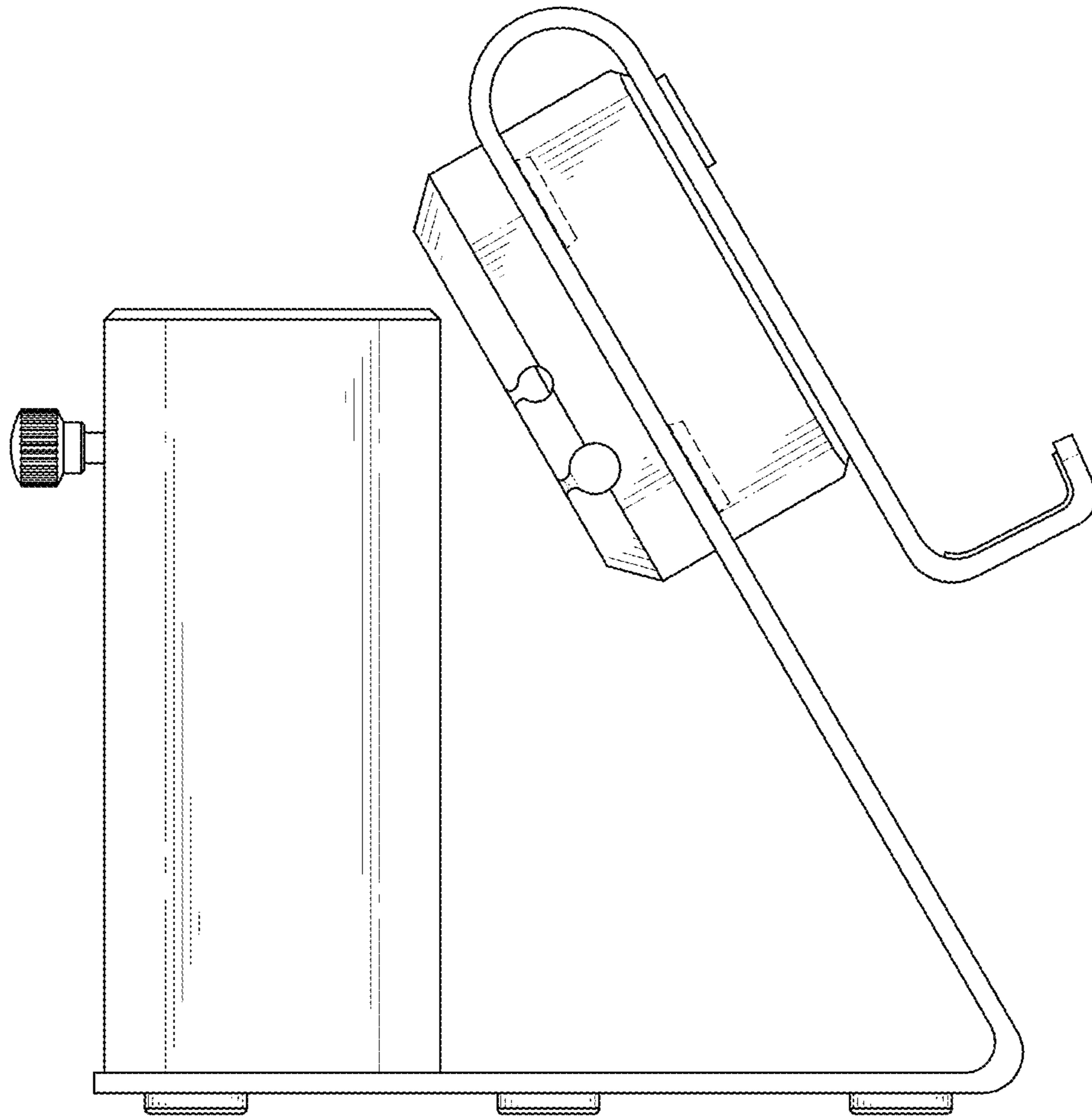


FIG. 5

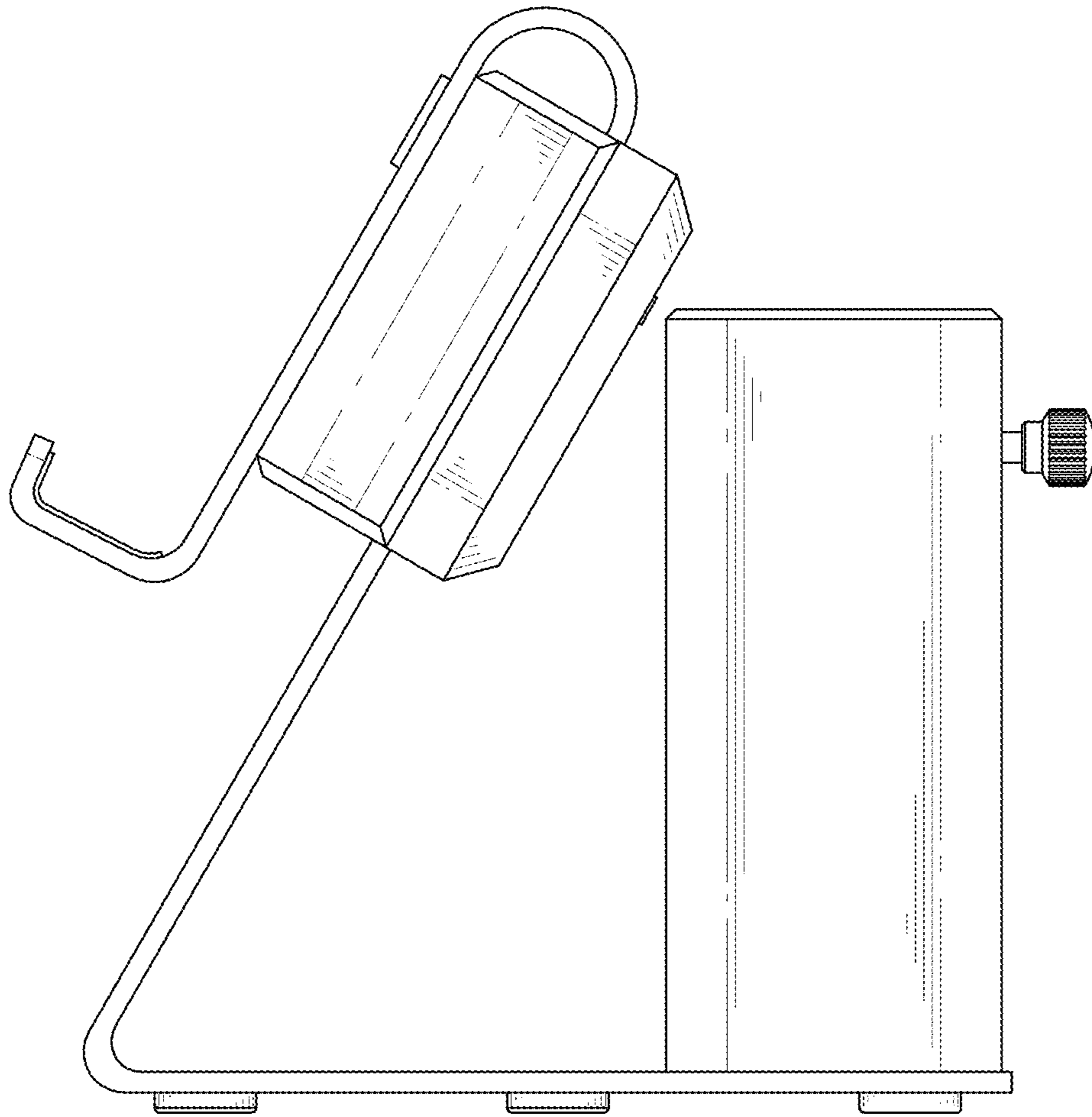


FIG. 6

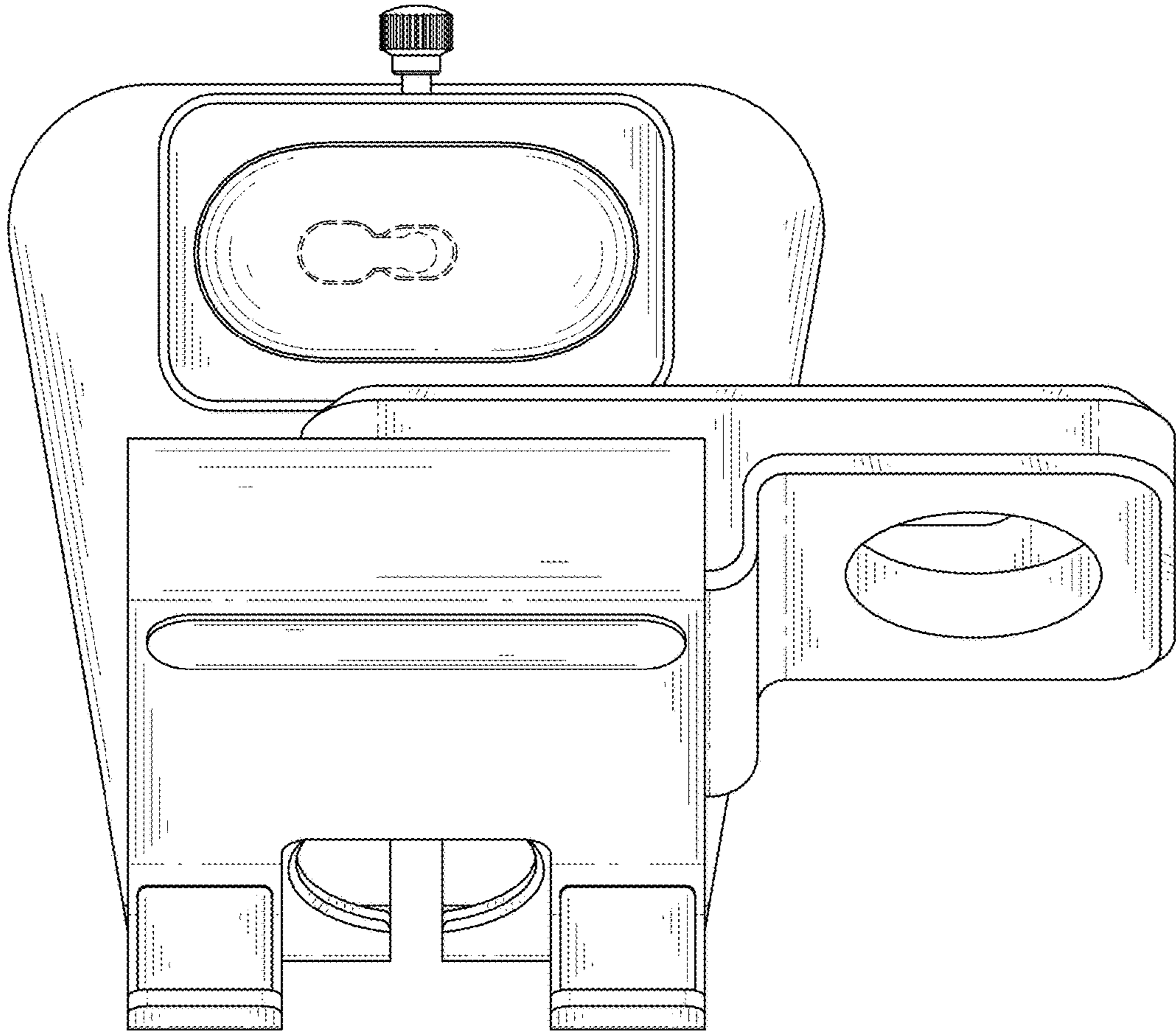


FIG. 7



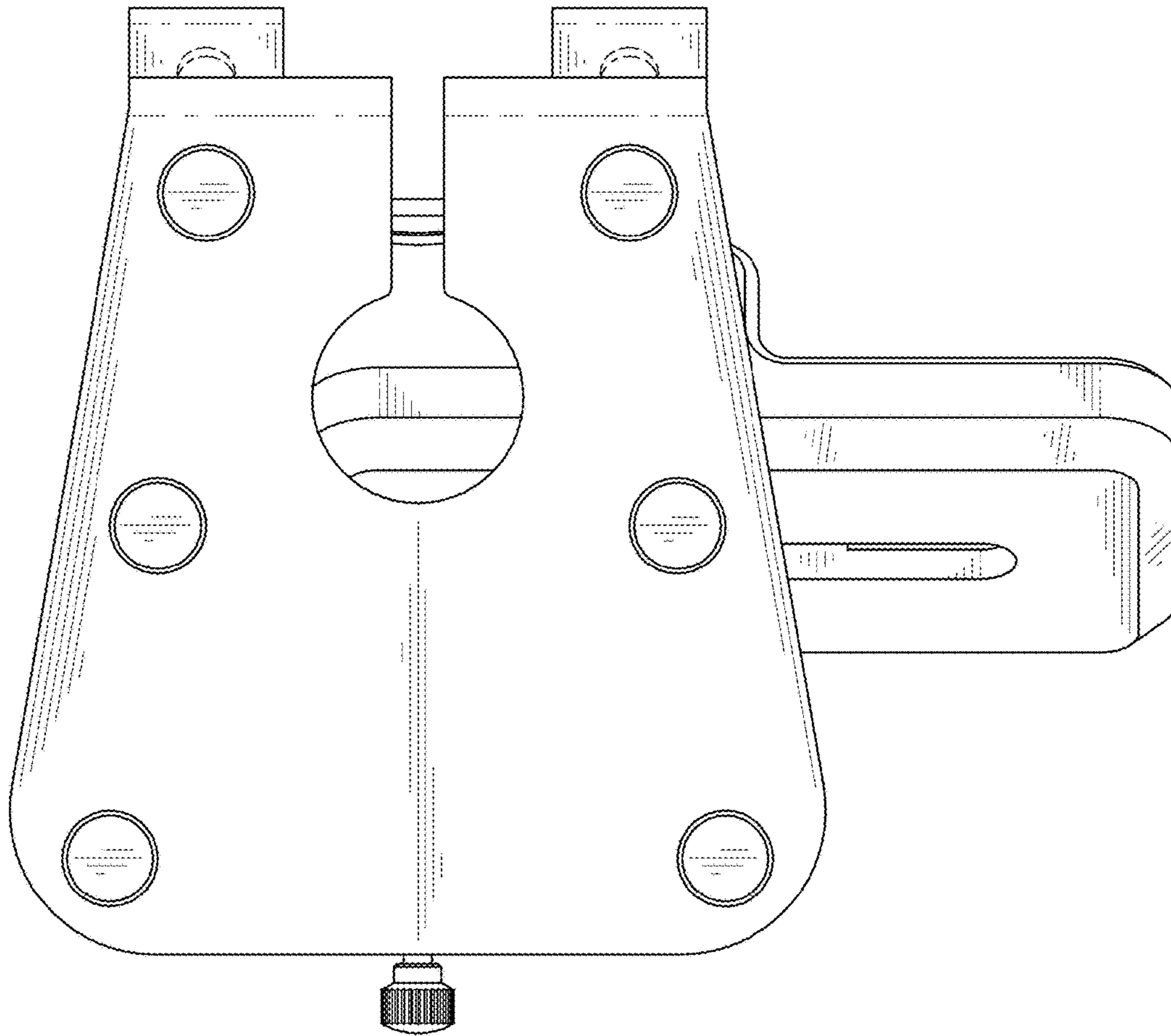


FIG. 8