



US00D825574S

(12) **United States Design Patent** (10) **Patent No.:** **US D825,574 S**
Davies et al. (45) **Date of Patent:** **** Aug. 14, 2018**

(54) **TABLET HOLDER**
(71) Applicant: **Techdent Limited**, London (GB)
(72) Inventors: **Phillip Davies**, London (GB); **Laraine Wright**, London (GB)
(73) Assignee: **Techdent Limited**, London
(**) Term: **15 Years**
(21) Appl. No.: **29/601,783**
(22) Filed: **Apr. 26, 2017**
(51) **LOC (11) Cl.** **08-07**
(52) **U.S. Cl.**
USPC **D14/447**
(58) **Field of Classification Search**
USPC D14/447, 432, 434, 439, 440, 451, 452,
D14/457, 239; D8/363, 373, 380;
D6/406.3, 406.4, 406.5, 406.6; D12/415
CPC A47B 21/04; A47B 2097/006; A47B
2097/005; A47B 2023/049; A45C
2011/002; A45C 2011/003; F16M
2200/00; F16M 13/00
See application file for complete search history.

D752,597 S * 3/2016 Girault D14/447
D753,126 S * 4/2016 Alesi D14/447
D804,487 S * 12/2017 Theis D14/447
2013/0270850 A1 10/2013 Fan
2014/0217862 A1 8/2014 Rayner
2014/0366357 A1 12/2014 Haarburger

FOREIGN PATENT DOCUMENTS

BR MU8702339 U2 2/2009
GB 2403262 A 12/2004
WO 2012016158 A2 2/2012
WO 2013071346 A1 5/2013
WO 2014141873 A1 9/2014
WO 2014165000 A1 10/2014

* cited by examiner

Primary Examiner — Angela J Lee

(74) *Attorney, Agent, or Firm* — Jacob M. Ward; Ward Law Office LLC

(57) **CLAIM**

The ornamental design for a tablet holder, as shown and described.

DESCRIPTION

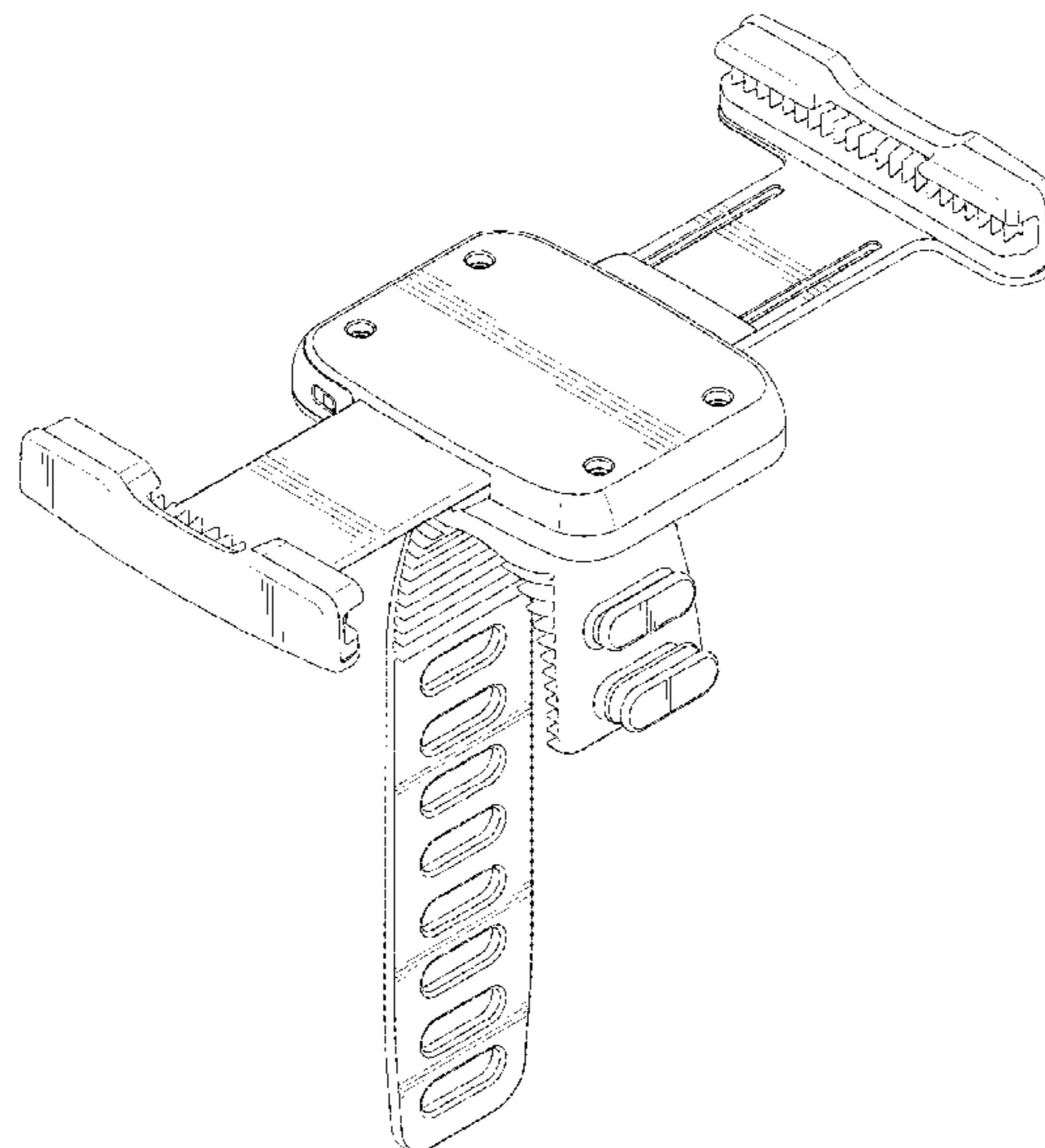
FIG. 1 is a top perspective view of a tablet holder; FIG. 2 is a left side elevational view of the tablet holder in FIG. 1; FIG. 3 is a right side elevational view thereof; FIG. 4 is a front elevational view thereof; FIG. 5 is a rear elevational view thereof; FIG. 6 is a top plan view thereof; and, FIG. 7 is a bottom plan view thereof. The ornamental design which is claimed is shown in solid lines in the drawings. The broken lines in the figures form no part of the claimed design.

1 Claim, 7 Drawing Sheets

(56) **References Cited**

U.S. PATENT DOCUMENTS

D630,222 S * 1/2011 Lin D14/447
D650,774 S * 12/2011 Molter D14/239
D684,980 S * 6/2013 Chun D14/447
D685,804 S * 7/2013 Richter D14/253
8,770,808 B1 7/2014 Campbell et al.
D714,775 S * 10/2014 Yoo D14/253
D716,215 S * 10/2014 Dunn D12/415
D716,642 S * 11/2014 Harges D8/380
D717,307 S * 11/2014 Chun D14/447
D739,410 S * 9/2015 Chun D14/447
D748,099 S * 1/2016 Heid D14/447



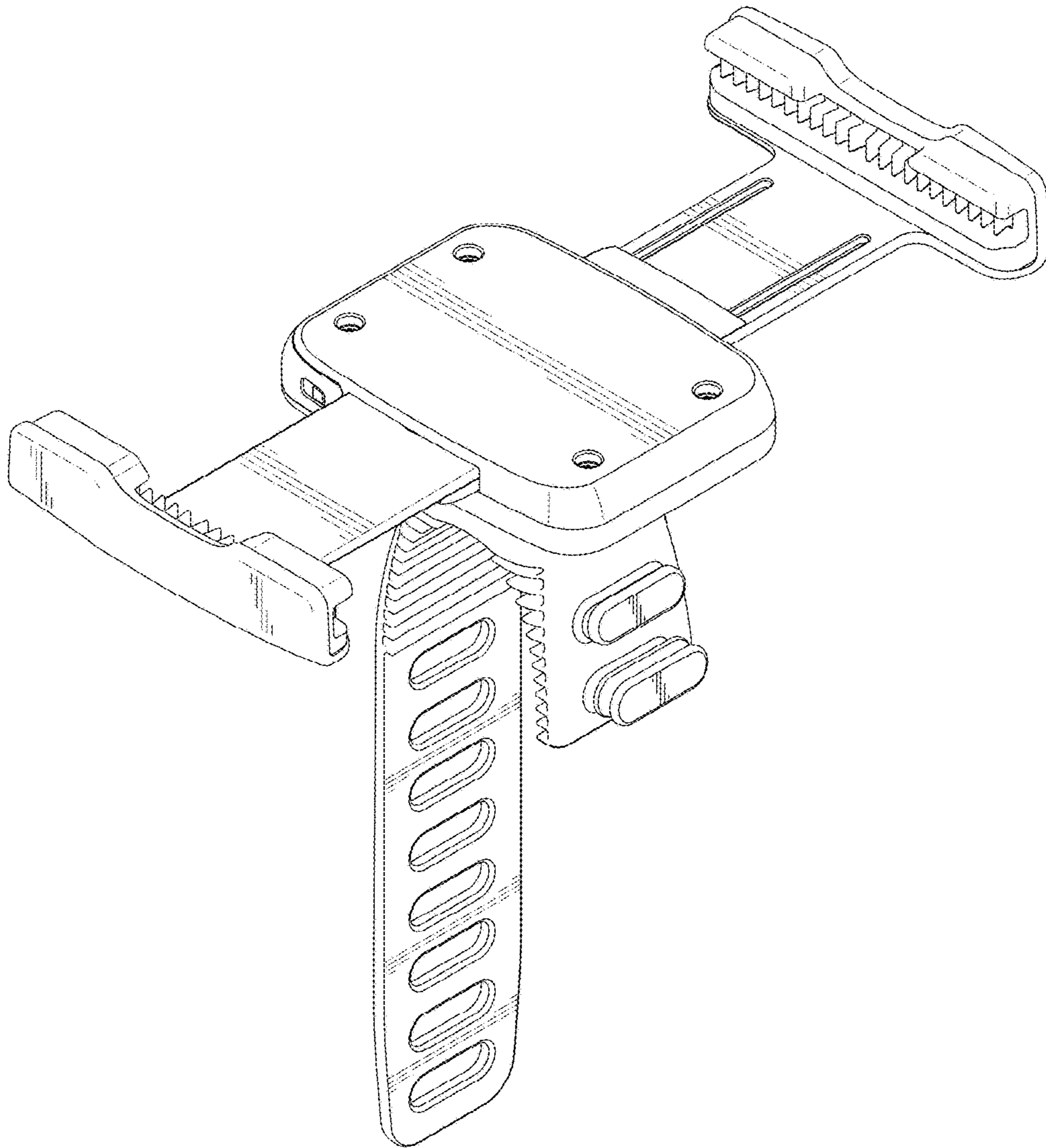


FIG. 1

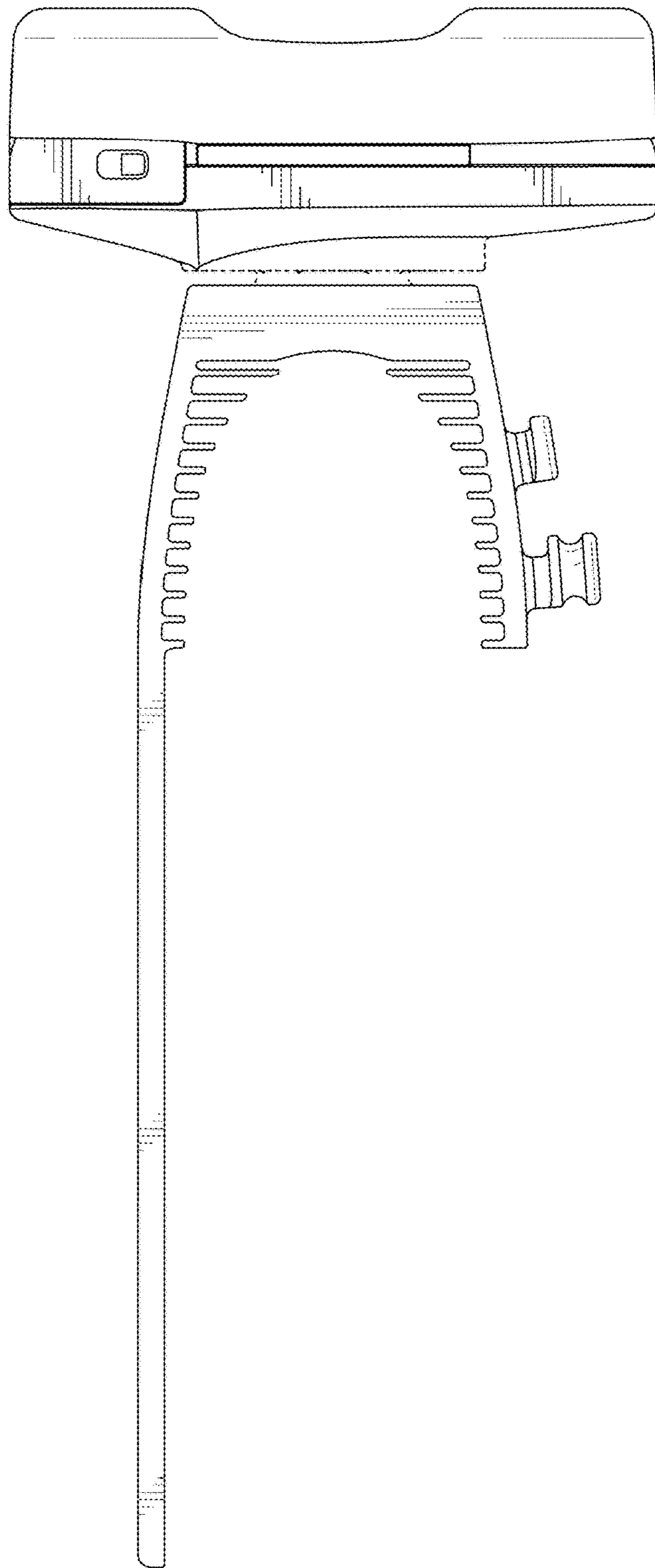


FIG. 2

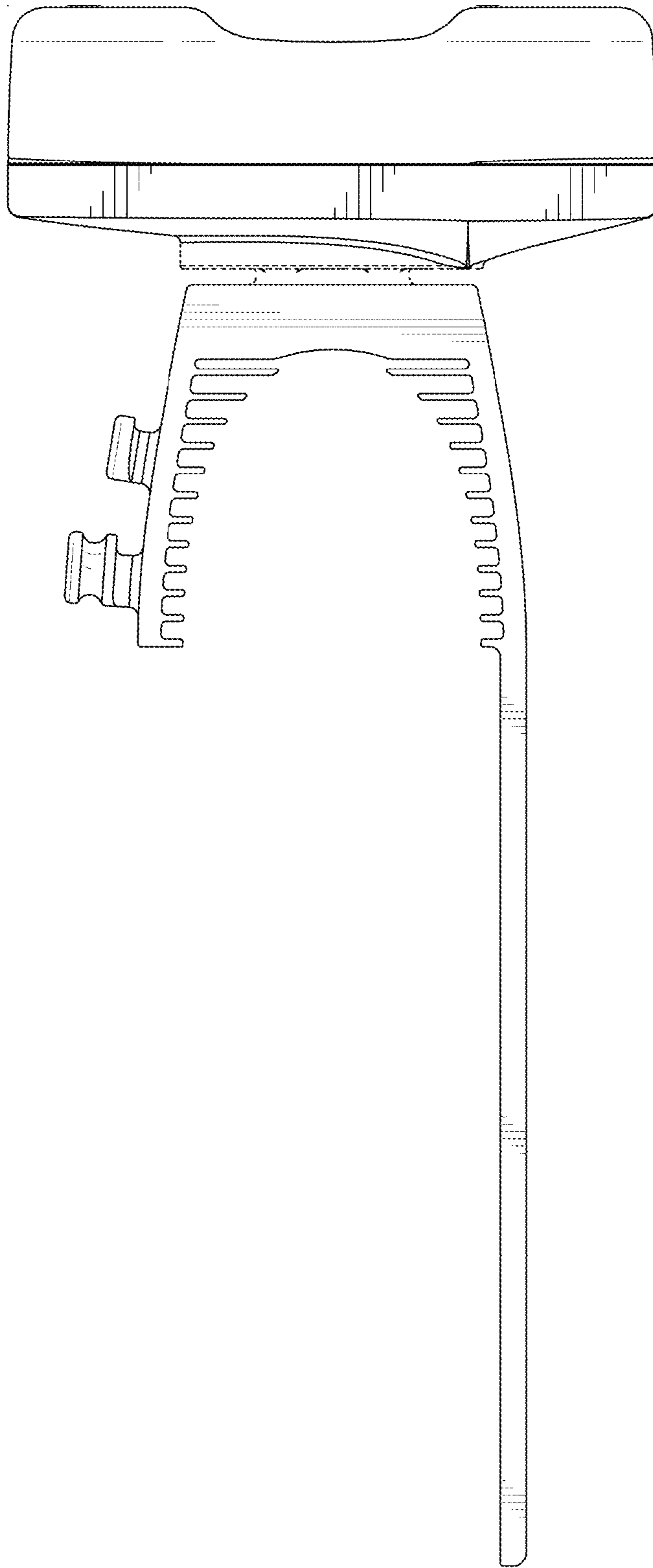


FIG. 3

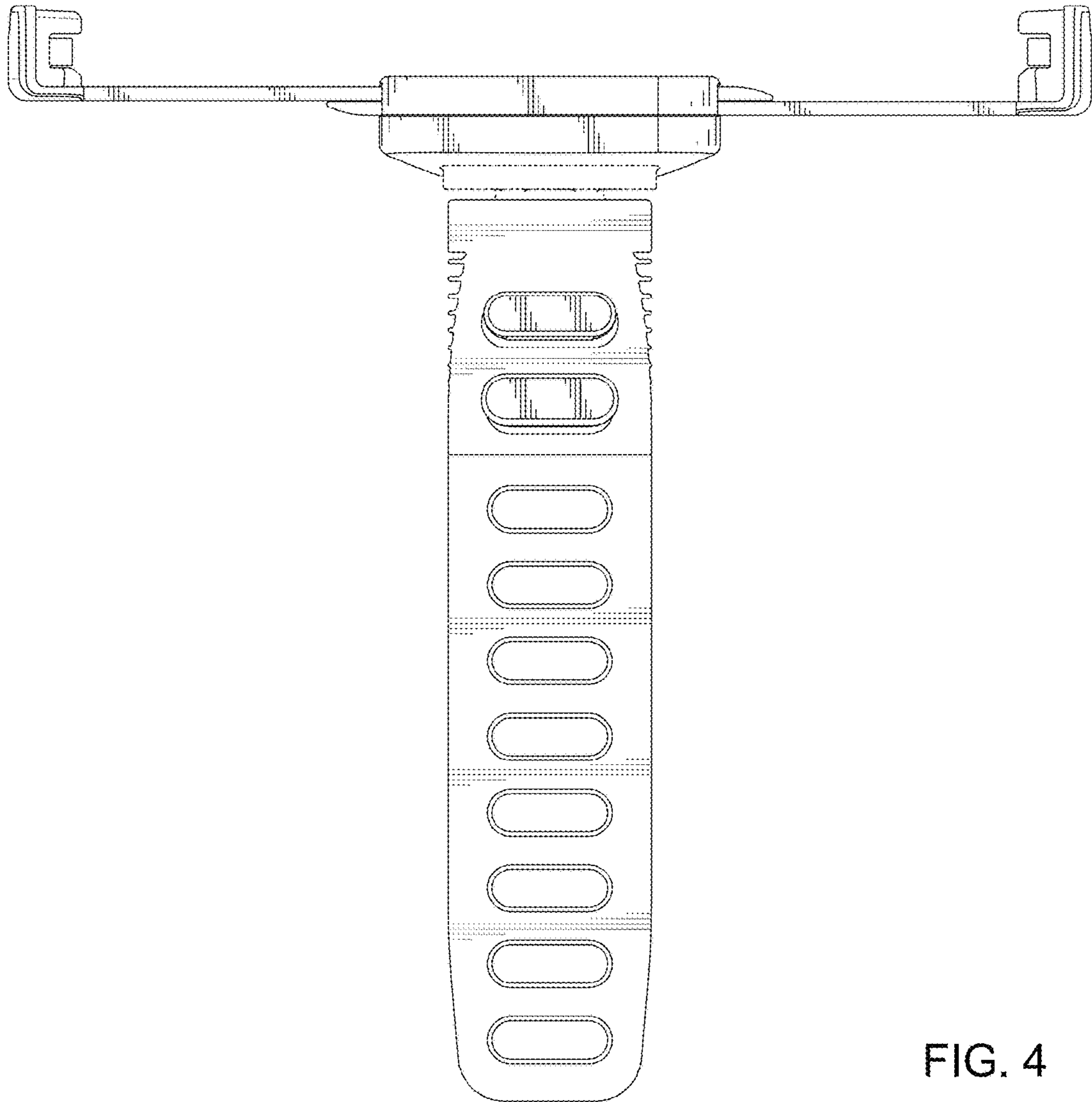


FIG. 4

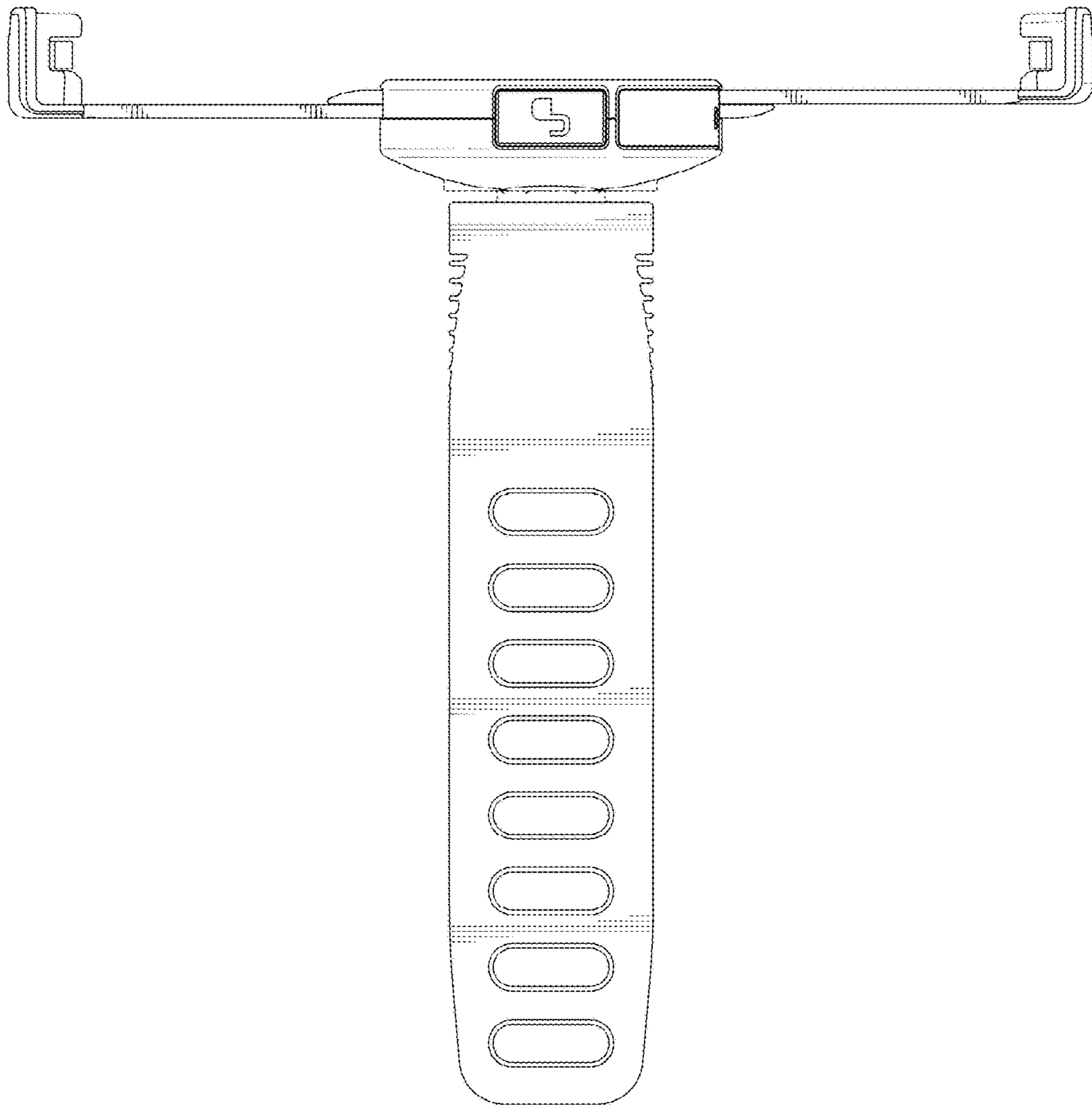


FIG. 5

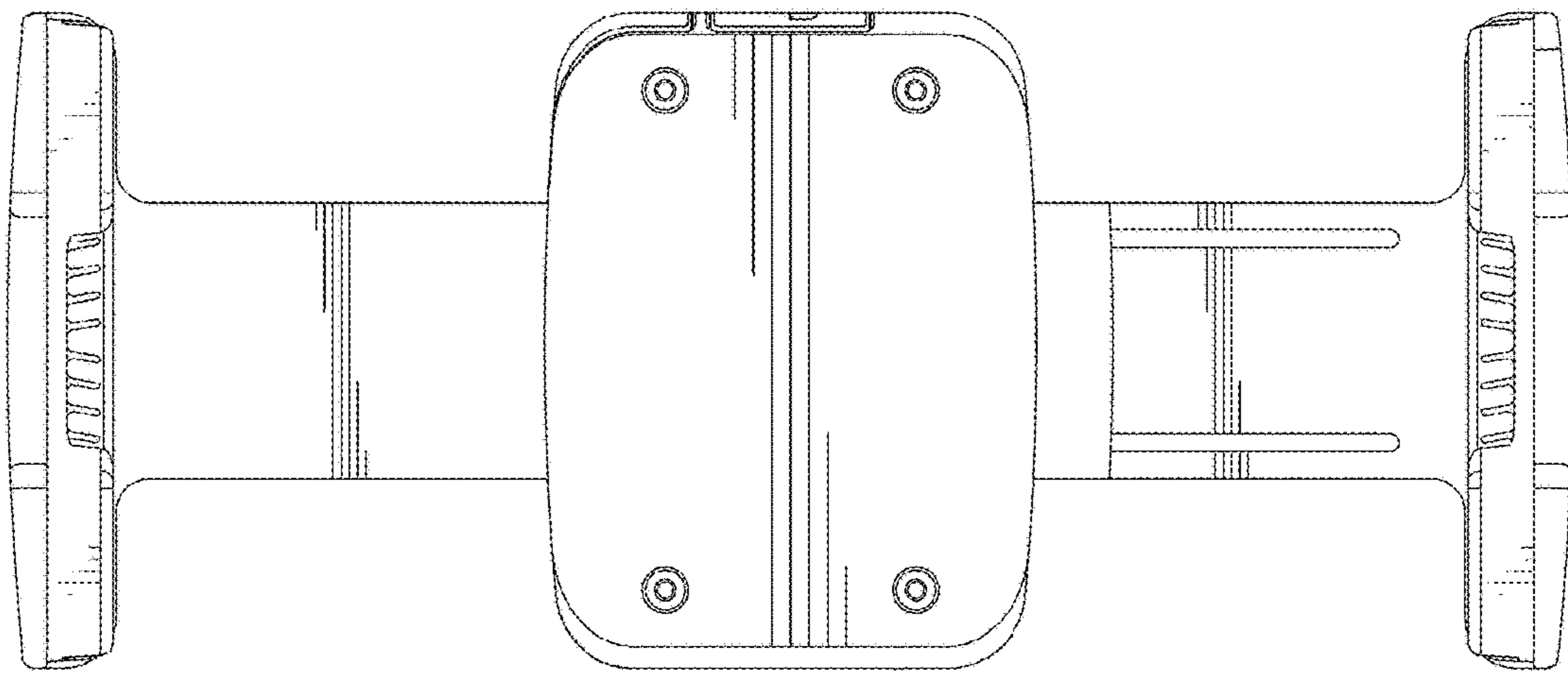


FIG. 6

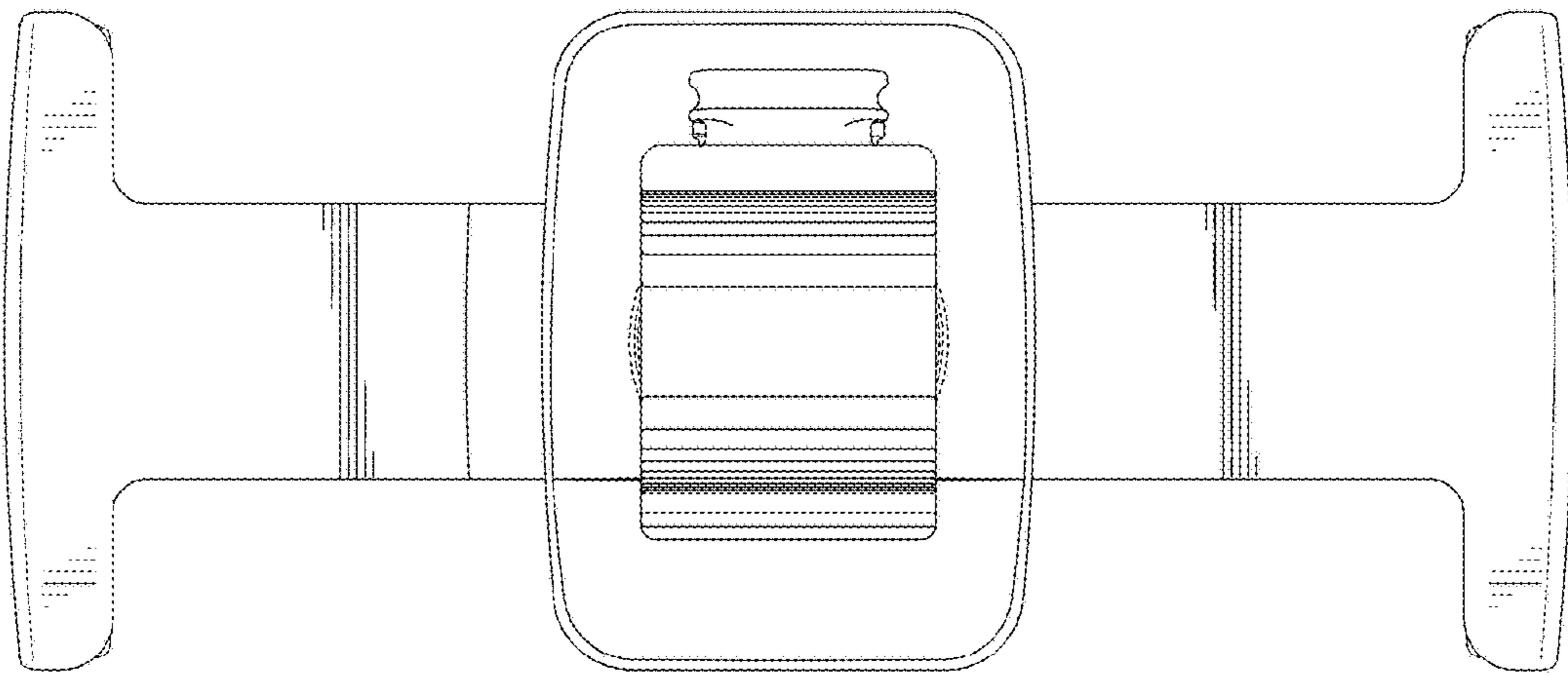


FIG. 7