



US00D825573S

(12) **United States Design Patent** (10) **Patent No.:** **US D825,573 S**
Belitz et al. (45) **Date of Patent:** **** Aug. 14, 2018**

(54) **LAPTOP STAND**

(71) Applicant: **Swift Distribution, LLC**, Loveland, CO (US)

(72) Inventors: **Michael J. Belitz**, Cherry Hills Village, CO (US); **Luke A. Smith**, Loveland, CO (US)

(**) Term: **15 Years**

(21) Appl. No.: **29/591,177**

(22) Filed: **Jan. 17, 2017**

(51) **LOC (11) Cl.** **14-02**

(52) **U.S. Cl.**
USPC **D14/447**

(58) **Field of Classification Search**
USPC D14/239, 247, 447, 451, 452, 455-457;
D34/12, 23, 24; 178/17 A, 17 C;
235/145 A, 145 R
CPC H03M 11/00; H01H 13/14; H01H 13/84;
B41J 5/00; B41J 5/12; B41J 5/10; H03K
17/94; G06F 1/1626; G06F 1/1632; G06F
1/1616; G06F 3/0221; A47B 23/043;
A47B 23/001; A47B 2023/049; A47B
97/08; A47B 23/002; A47B 23/00; A47B
83/02; A47B 21/02; A47B 21/03; A47B
21/04; A47B 81/061; A47C 7/70; A47C
13/385; B44D 3/02; A45C 13/385; B62B
1/06; B62B 1/042; B62B 5/06; F16M
11/10; F16M 11/24; F16M 11/28; F16M
11/40; F16M 11/42; F16M 11/2014;
F16M 11/2092; F16M 13/022; A47G
23/0225

See application file for complete search history.

(56) **References Cited**

U.S. PATENT DOCUMENTS

4,315,632 A *	2/1982	Taylor	B62B 1/12 280/40
7,261,261 B2 *	8/2007	Ligertwood	A47B 21/00 248/129
D662,806 S *	7/2012	Shaw	D14/239
8,936,259 B2 *	1/2015	Tsai	B62B 1/12 280/40
D742,863 S *	11/2015	Aoyagi	D14/239
9,188,278 B1 *	11/2015	Li	A47B 9/10
9,247,861 B2 *	2/2016	Kan	H04N 5/655
2004/0188573 A1 *	9/2004	Weatherly	A47B 81/061 248/125.1
2007/0170331 A1 *	7/2007	Prater	A47G 23/0225 248/311.2
2015/0208780 A1 *	7/2015	Avery	A45C 13/385 280/652

* cited by examiner

Primary Examiner — Freda S Nunn

(74) *Attorney, Agent, or Firm* — Talus Law Group LLC

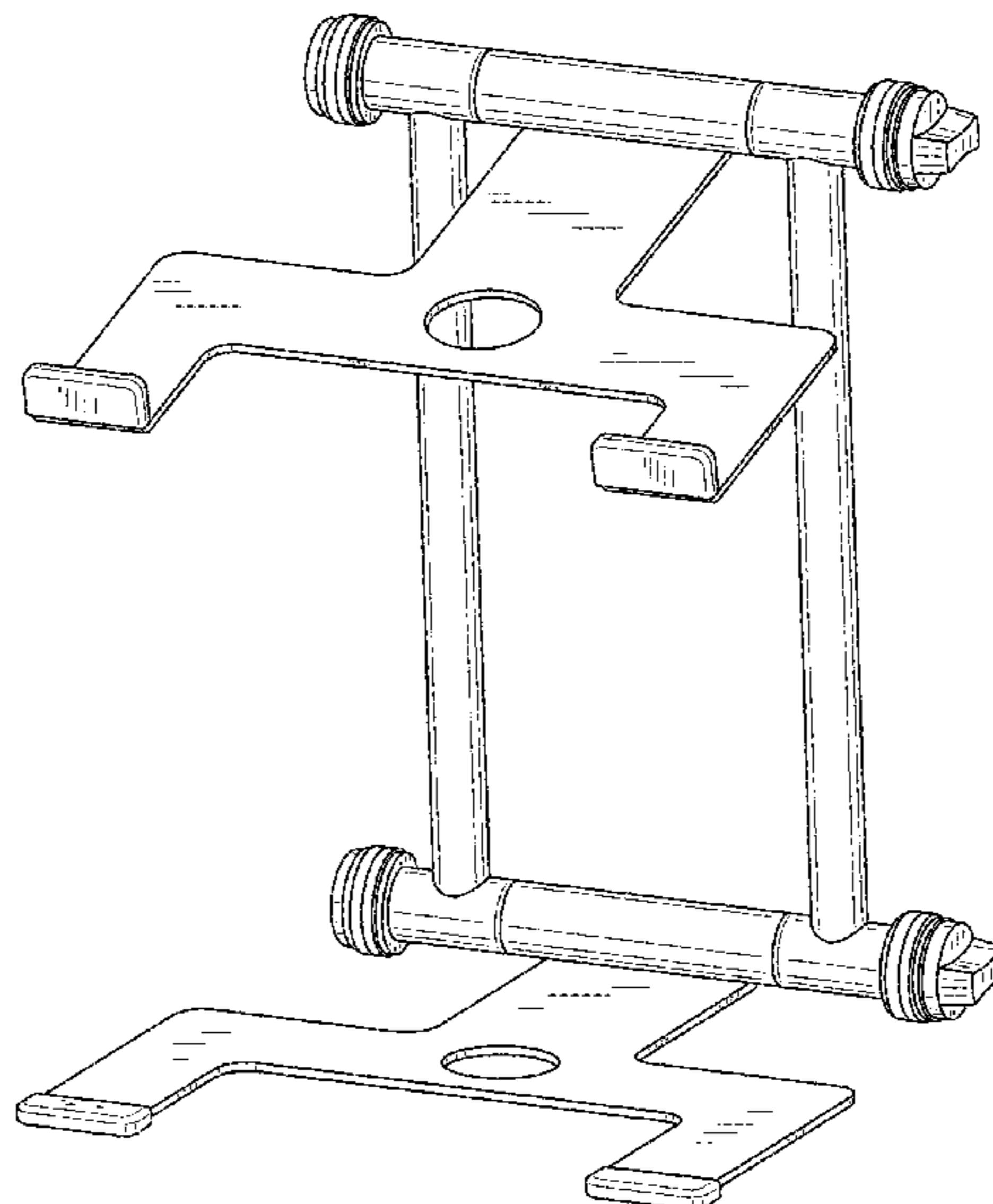
(57) **CLAIM**

The ornamental design for a laptop stand, as shown and described.

DESCRIPTION

FIG. 1 is a perspective view of the laptop stand showing the new design;
FIG. 2 is a front elevation view thereof;
FIG. 3 is a rear elevation view thereof;
FIG. 4 is a right elevation view thereof;
FIG. 5 is a left elevation view thereof;
FIG. 6 is a top plan view thereof; and,
FIG. 7 is a bottom plan view thereof.

1 Claim, 7 Drawing Sheets



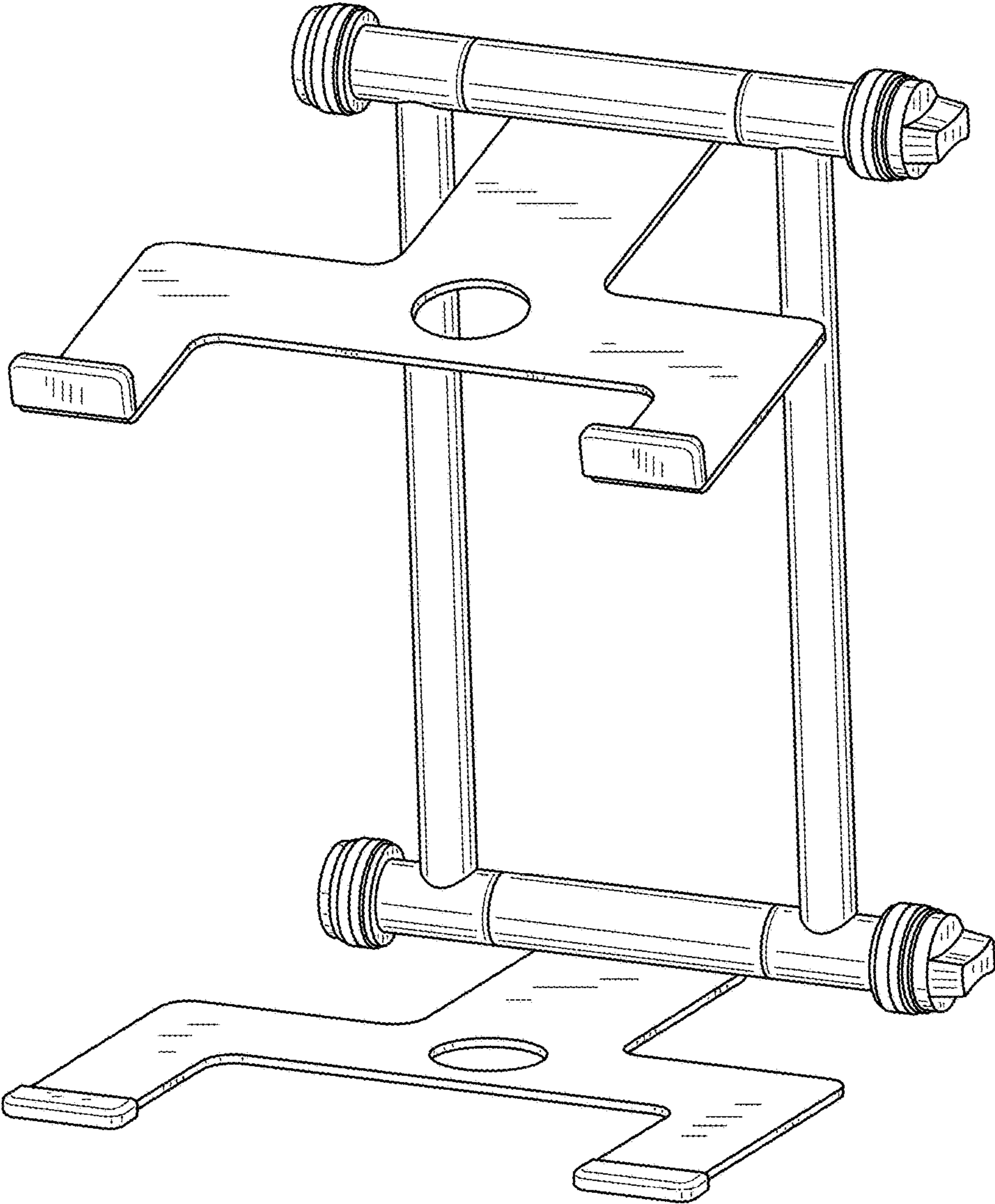


FIG.1

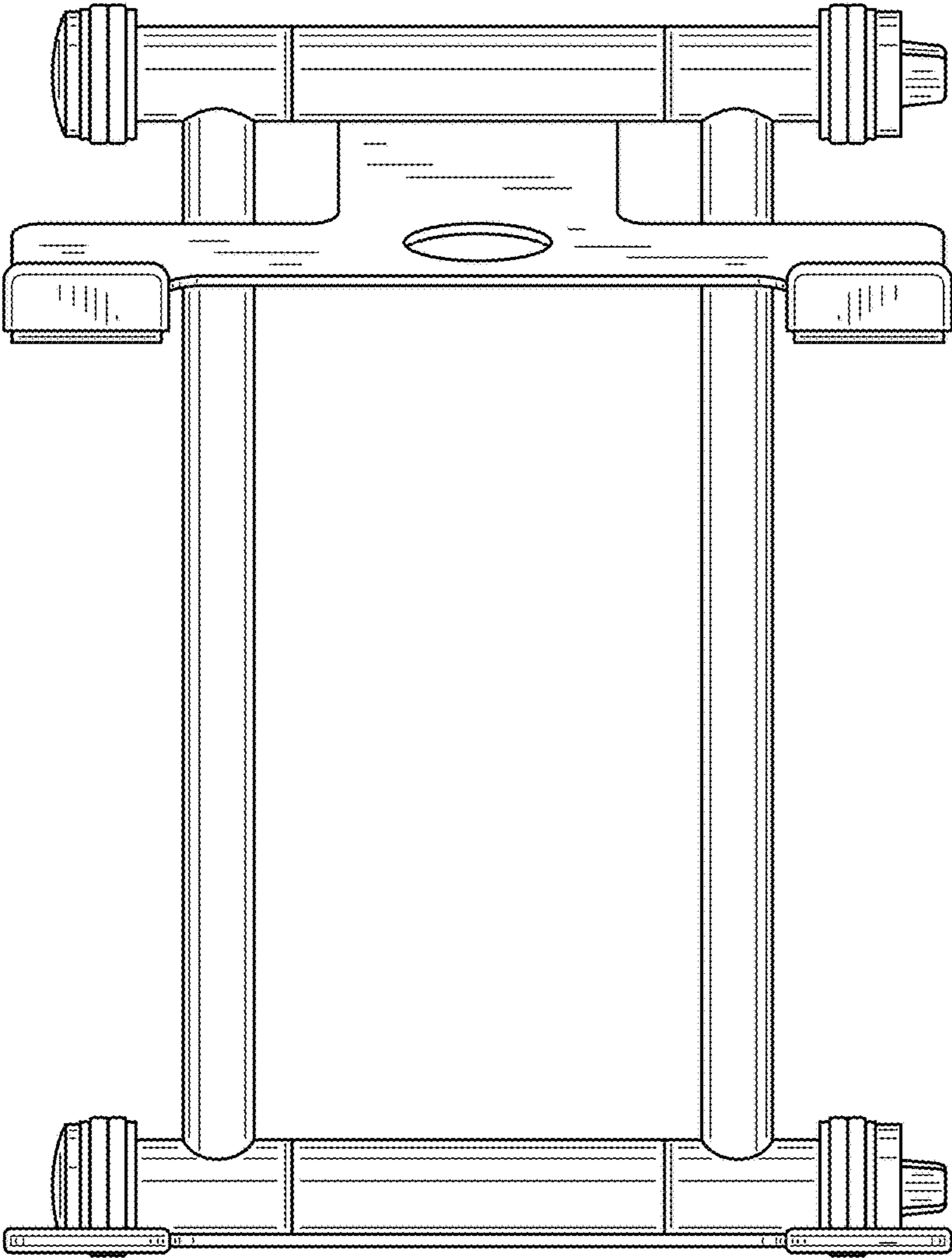


FIG.2

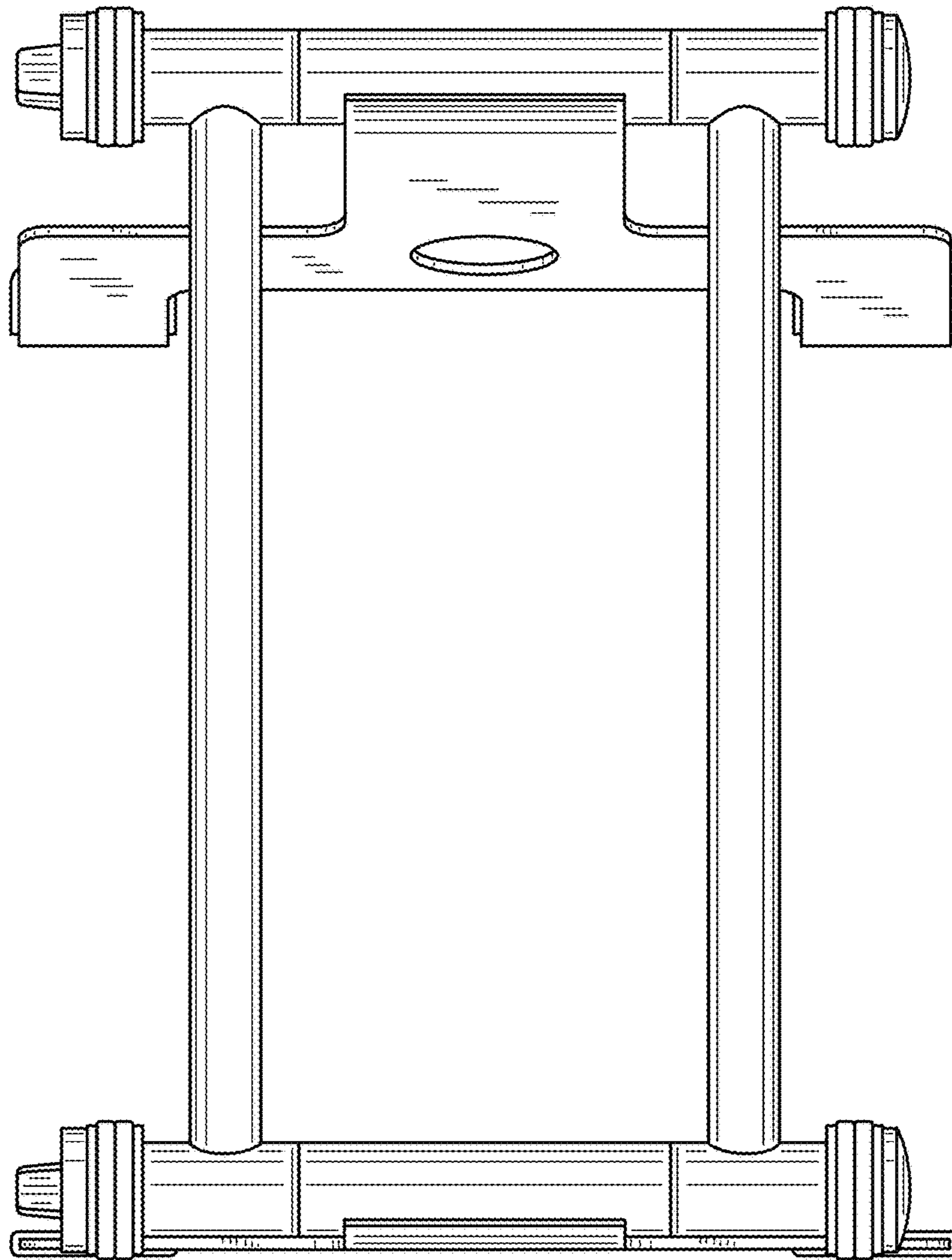


FIG.3

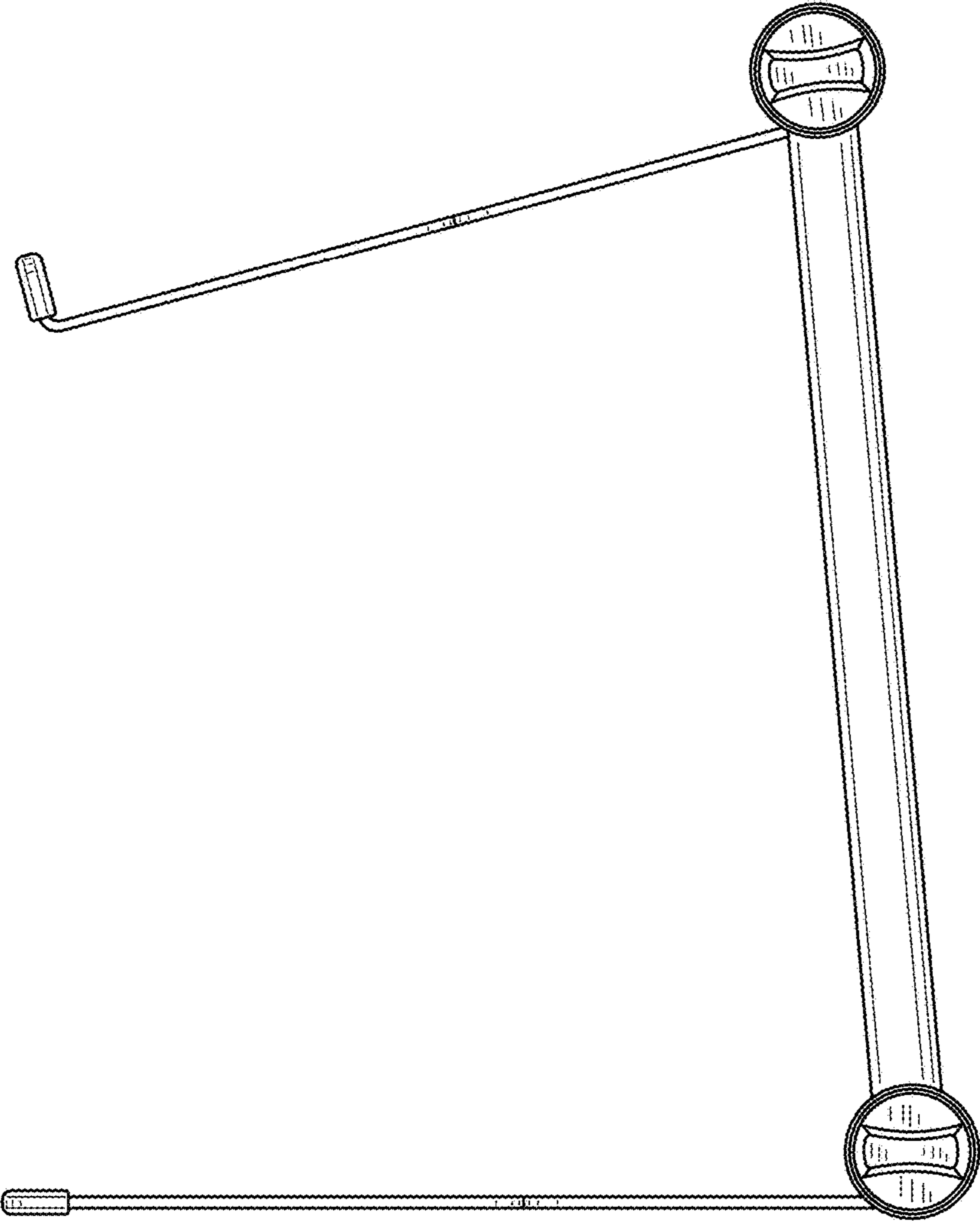


FIG.4

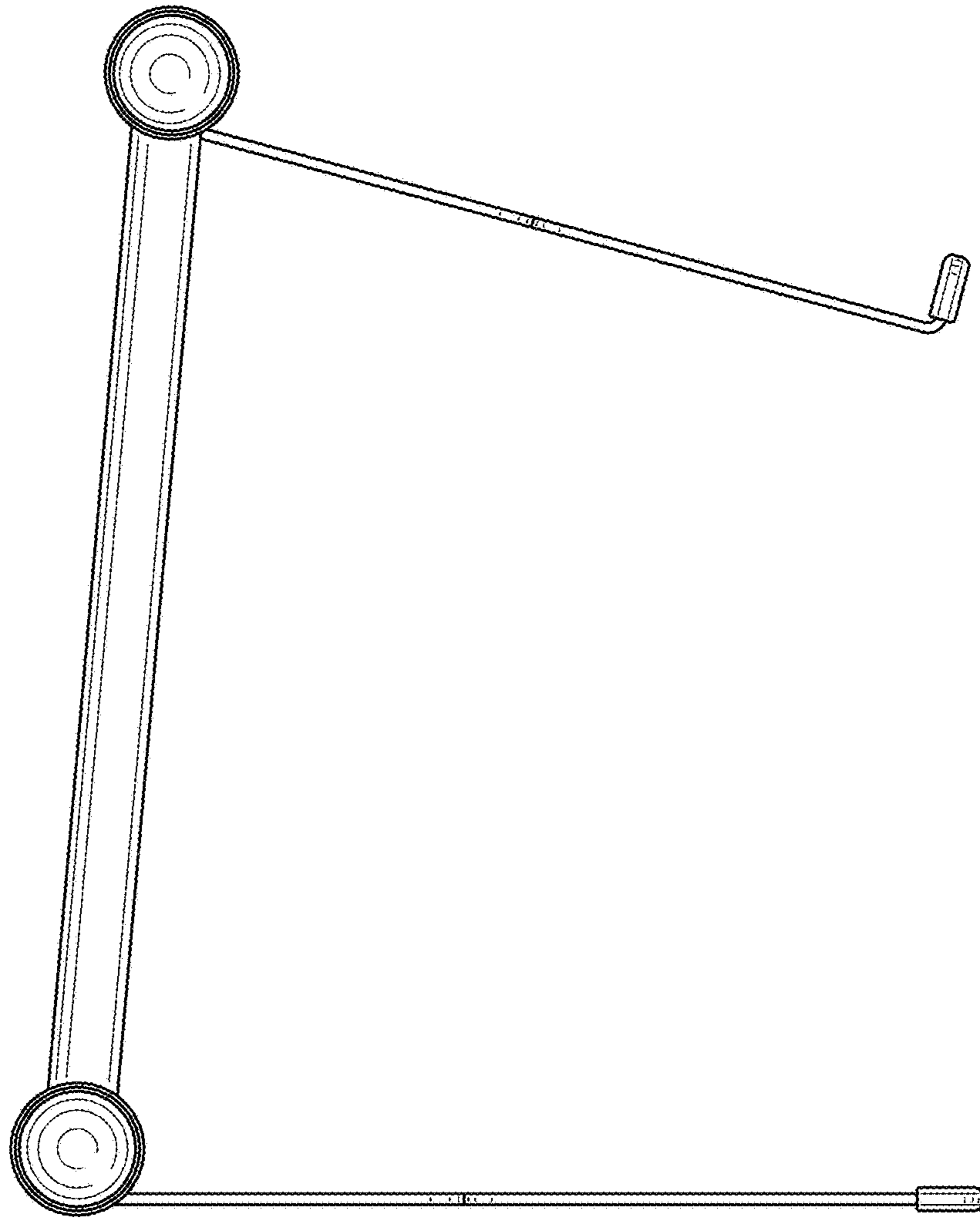


FIG.5

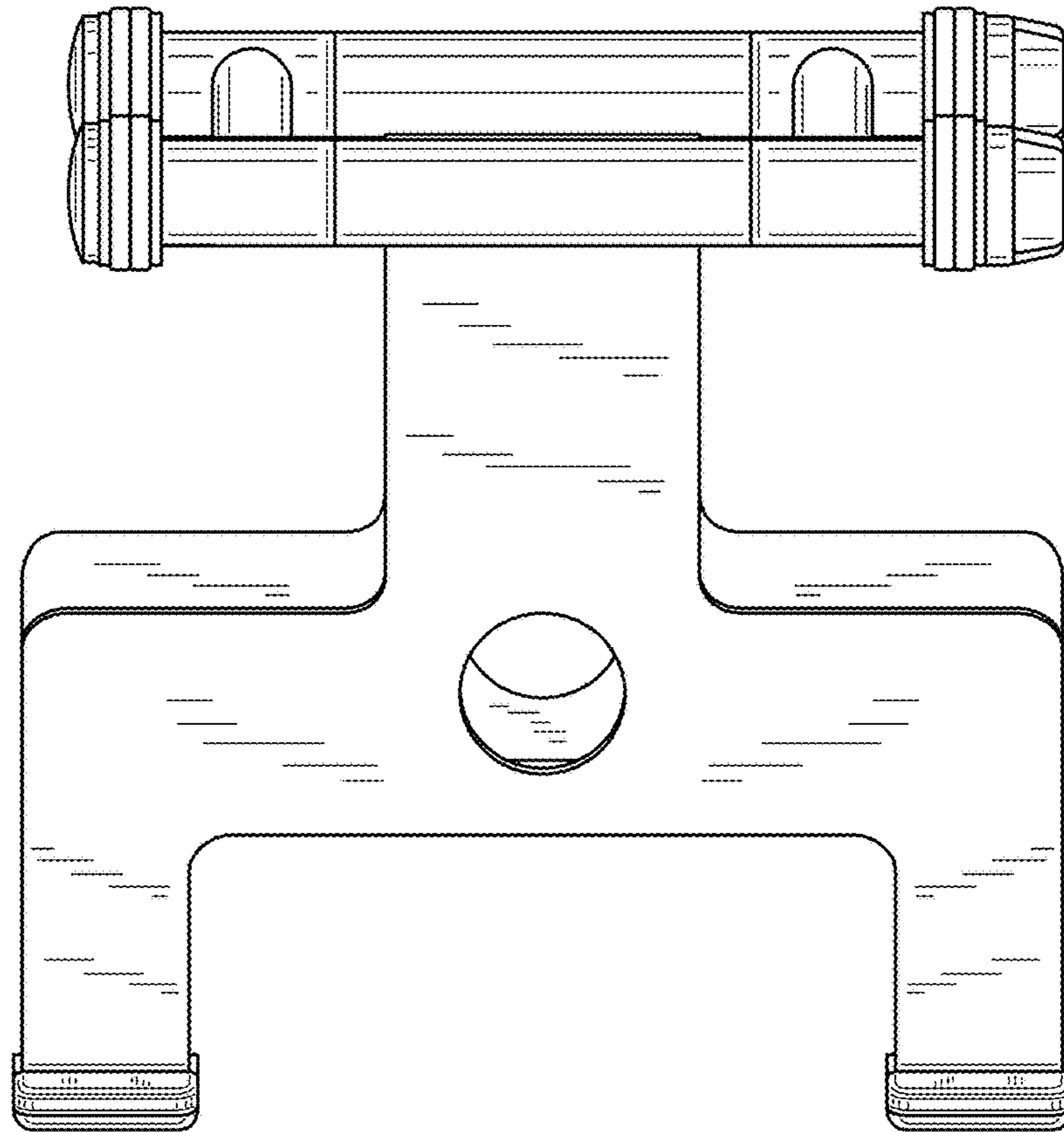


FIG.6

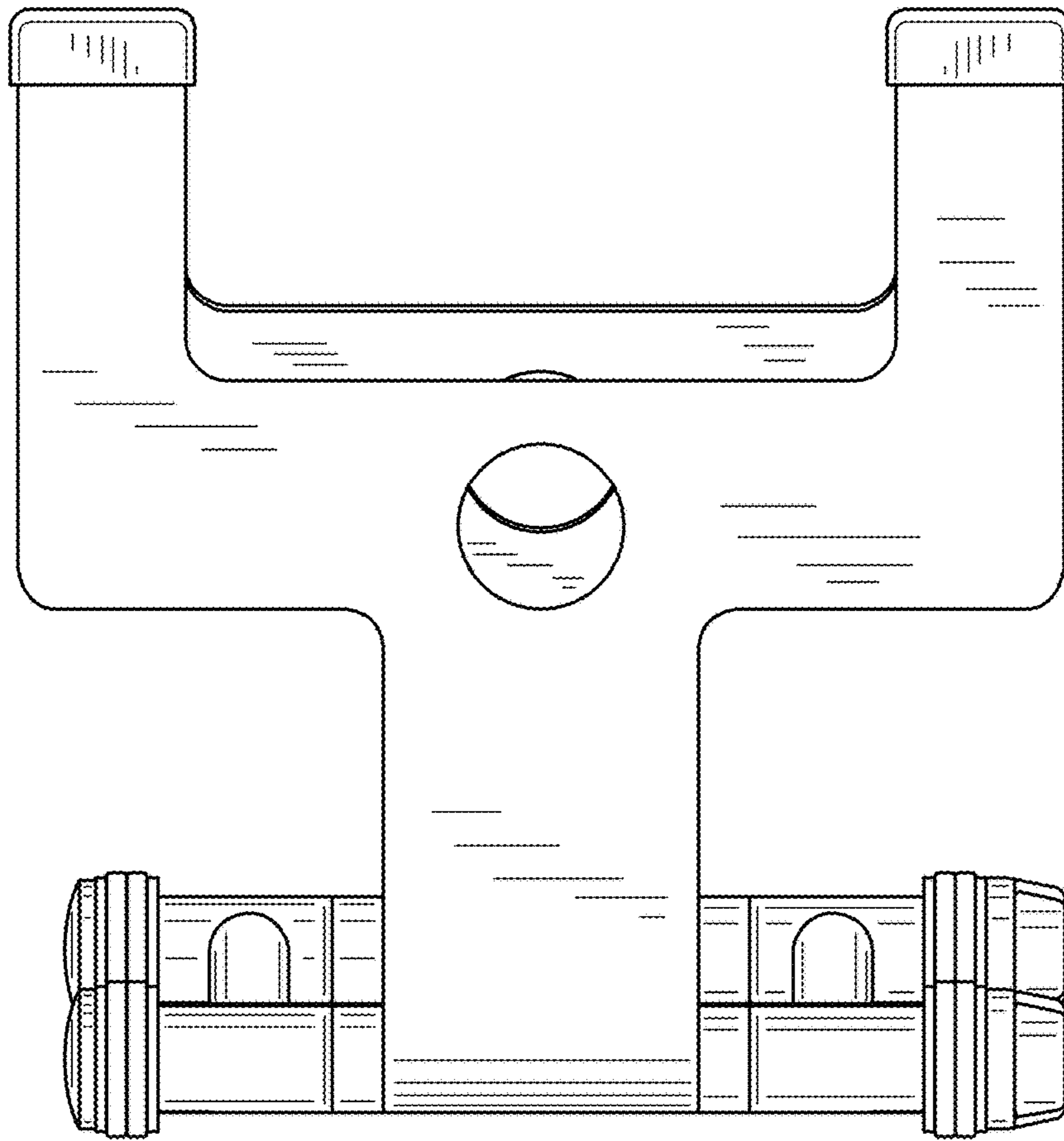


FIG.7