



US00D825571S

(12) **United States Design Patent** (10) **Patent No.:** **US D825,571 S**  
**Shannon, III** (45) **Date of Patent:** **\*\* Aug. 14, 2018**

(54) **ELECTRONIC DEVICE COVER WITH FINGERSWIPE INDENTATION**

(71) Applicant: **BobjGear, LLC**, Clermont, FL (US)

(72) Inventor: **Robert James Shannon, III**, Clermont, FL (US)

(73) Assignee: **BobjGear, LLC**, Glermont, FL (US)

(\*\*) Term: **15 Years**

(21) Appl. No.: **29/584,605**

(22) Filed: **Nov. 16, 2016**

(51) **LOC (11) Cl.** ..... **14-02**

(52) **U.S. Cl.**  
USPC ..... **D14/440**

(58) **Field of Classification Search**  
USPC ..... D14/440, 42, 300, 447, 250; 206/45.23,  
206/320, 45.2; 361/679.55; 294/25;  
224/218

(Continued)

(56) **References Cited**

U.S. PATENT DOCUMENTS

D597,052 S \* 7/2009 Kim ..... D14/138 AB  
D649,144 S \* 11/2011 Fathollahi ..... D14/250

(Continued)

*Primary Examiner* — Cynthia R Underwood

(74) *Attorney, Agent, or Firm* — Perman & Green, LLP

(57) **CLAIM**

The ornamental design for a electronic device cover with fingerswipe indentation, as shown and described.

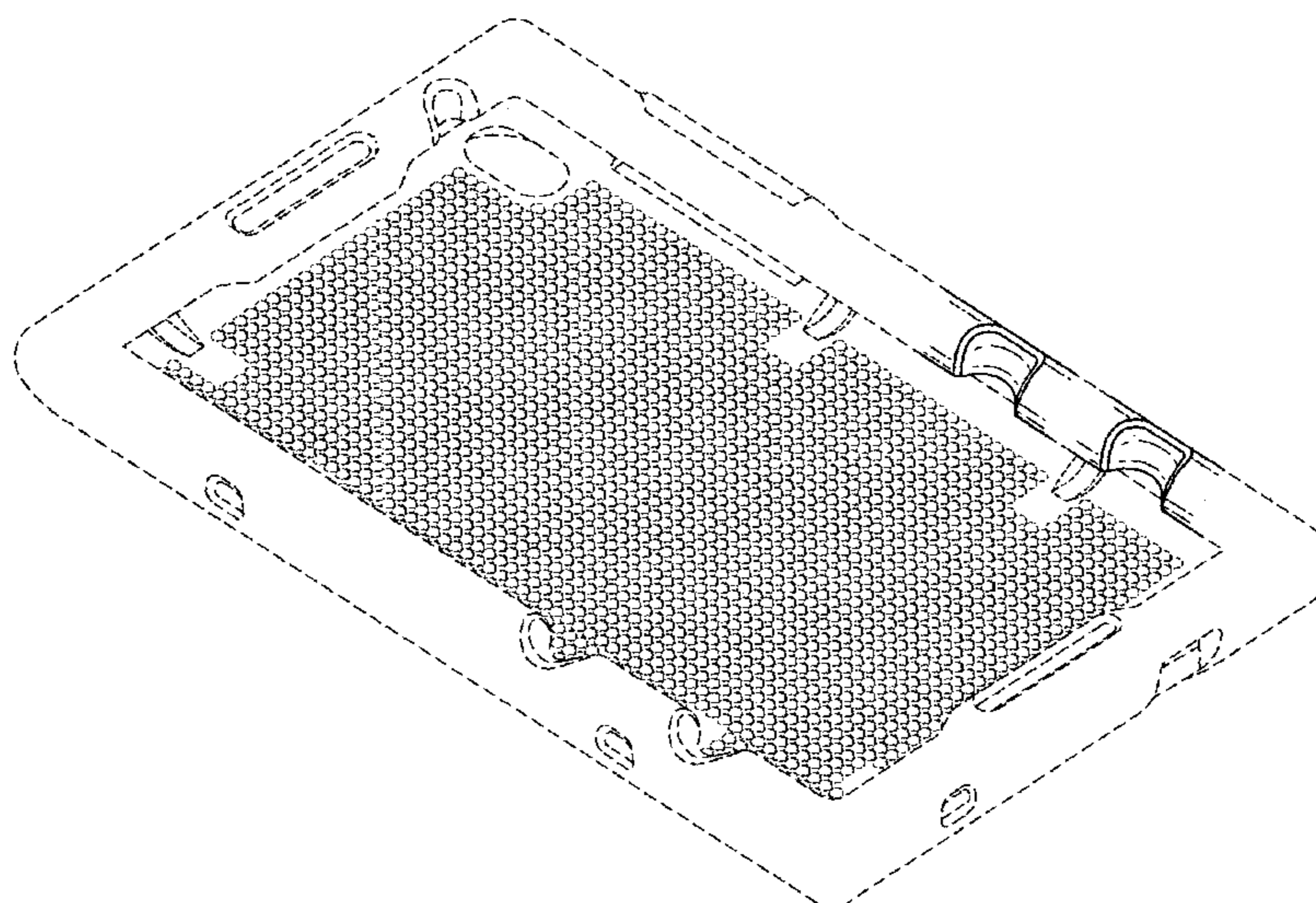
**DESCRIPTION**

FIG. 1 is a front perspective view of an electronic device cover with fingerswipe indentation comprising the new design;

FIG. 2 is a front view of FIG. 1;  
FIG. 3 is a back view of FIG. 1;  
FIG. 4 is a left side view of FIG. 1;  
FIG. 5 is a right view of FIG. 1;  
FIG. 6 is a bottom view of FIG. 1;  
FIG. 7 is a top view of FIG. 1;  
FIG. 8 is a front view of the design of FIG. 1;  
FIG. 9 is a cross-sectional view taken from line 9-9 in FIG. 8;  
FIG. 10 is a front perspective view of a second embodiment of an electronic device cover with fingerswipe indentation comprising the new design;  
FIG. 11 is a front view of FIG. 10;  
FIG. 12 is a back view of FIG. 10;  
FIG. 13 is a left side view of FIG. 10;  
FIG. 14 is a right view of FIG. 10;  
FIG. 15 is a bottom view of the design of FIG. 10;  
FIG. 16 is a top view of FIG. 10;  
FIG. 17 is a front view of the design of FIG. 10;  
FIG. 18 is a cross-sectional view taken from line 18-18 in FIG. 17;  
FIG. 19 is a front perspective view of an electronic device cover with fingerswipe indentation comprising the new design;  
FIG. 20 is a front view of FIG. 19;  
FIG. 21 is a back view of FIG. 19;  
FIG. 22 is a left side view of FIG. 19;  
FIG. 23 is a right view of FIG. 19;  
FIG. 24 is a bottom view of FIG. 19;  
FIG. 25 is a top view of FIG. 19;  
FIG. 23 is a right view of FIG. 19;  
FIG. 24 is a bottom view of FIG. 19;  
FIG. 25 is a top view of FIG. 19;  
FIG. 26 is a front view of FIG. 19; and,  
FIG. 27 is a cross-sectional view taken from line 27-27 in FIG. 26.

The broken lines shown in the figures represent environment only and form no part of the claimed design.

**1 Claim, 18 Drawing Sheets**



(58) **Field of Classification Search**

CPC .... G06F 1/1628; G06F 1/1626; G06F 1/1669;  
A47B 23/044; H04B 1/3888

See application file for complete search history.

(56) **References Cited**

U.S. PATENT DOCUMENTS

D694,759 S	*	12/2013	Chang	.....	D14/440
D721,703 S	*	1/2015	Han	.....	D14/402
D724,093 S	*	3/2015	Dong	.....	D14/440
D725,116 S	*	3/2015	Li	.....	D14/440
D763,840 S	*	8/2016	Hwang	.....	D14/250
D766,907 S	*	9/2016	Veltz	.....	D14/440
D770,458 S	*	11/2016	Corcoran	.....	D14/440
D786,853 S	*	5/2017	Friedland	.....	D14/250
D787,497 S	*	5/2017	Friedland	.....	D14/250
D789,937 S	*	6/2017	Zhang	.....	D14/440
D792,886 S	*	7/2017	Schwibner	.....	D14/440

\* cited by examiner

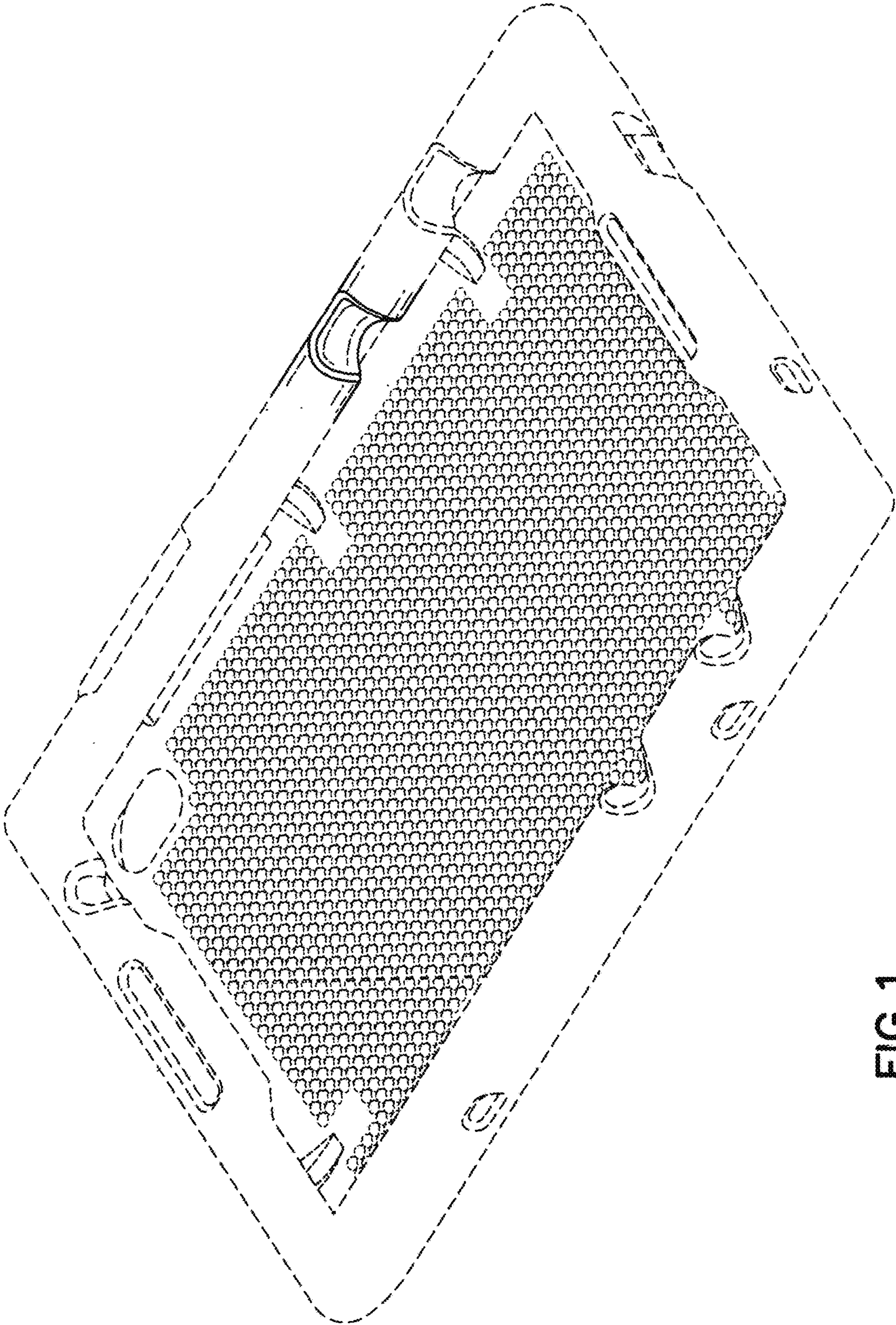


FIG.1

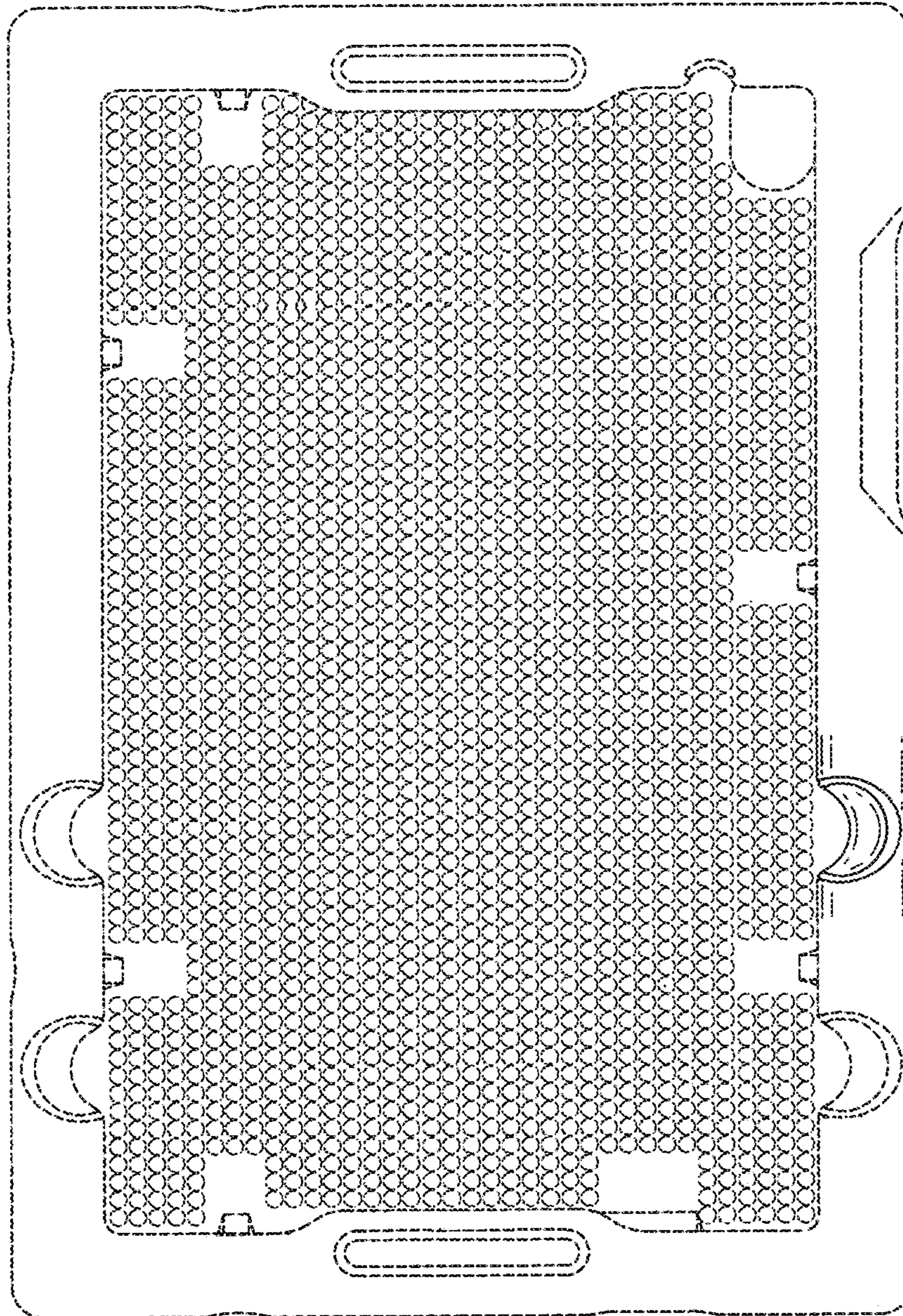


FIG. 2

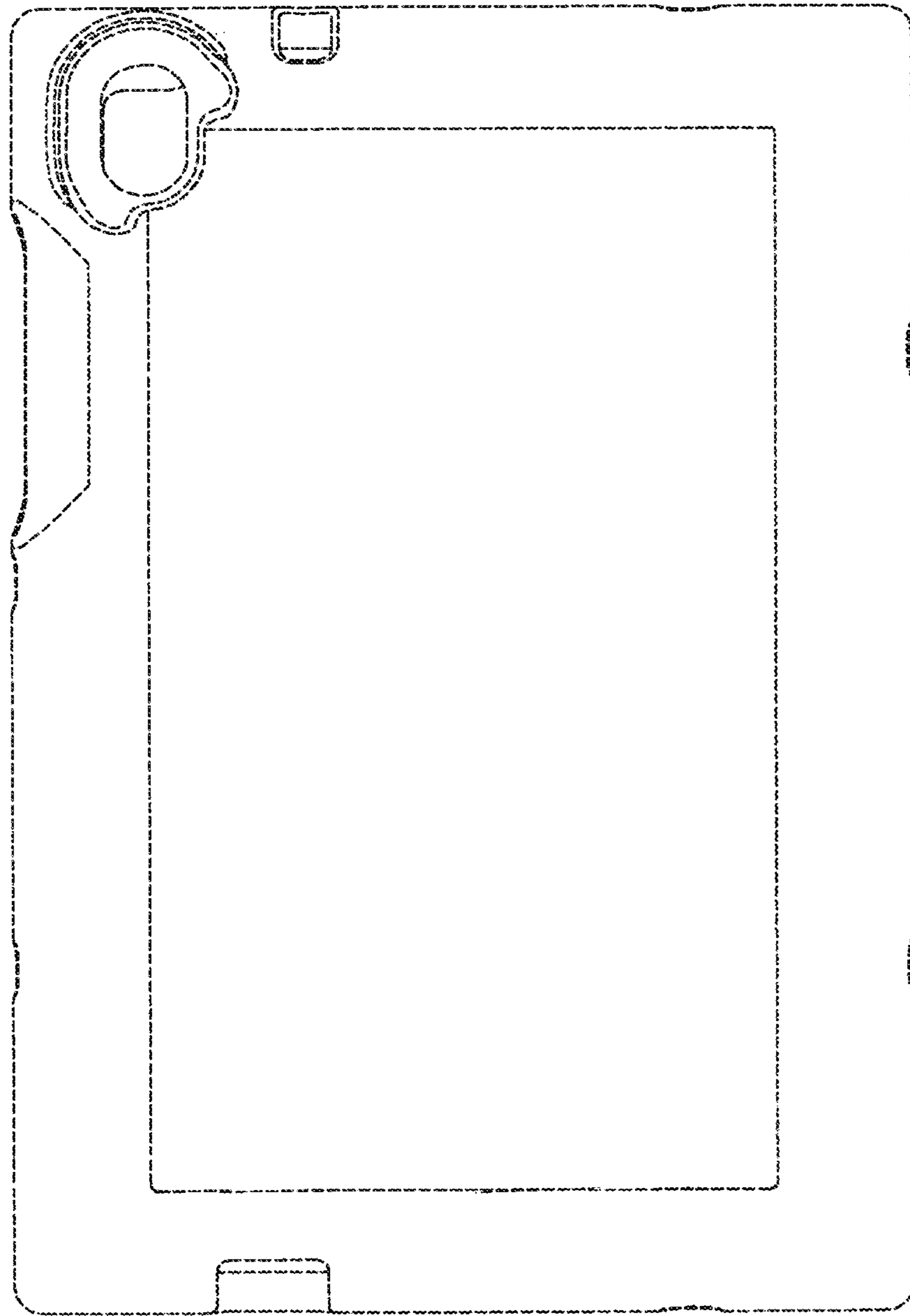


FIG. 3



FIG. 4

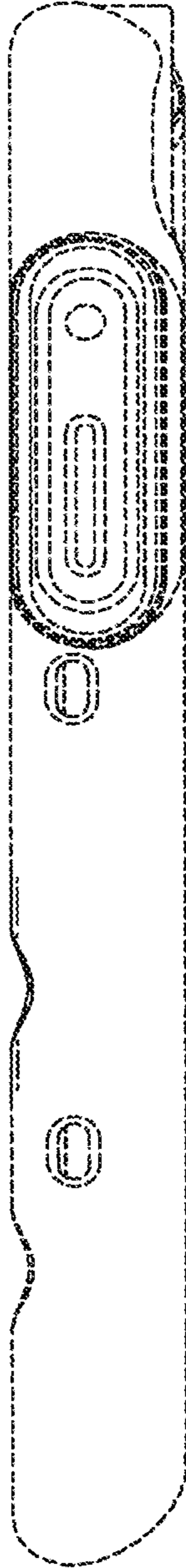


FIG. 5

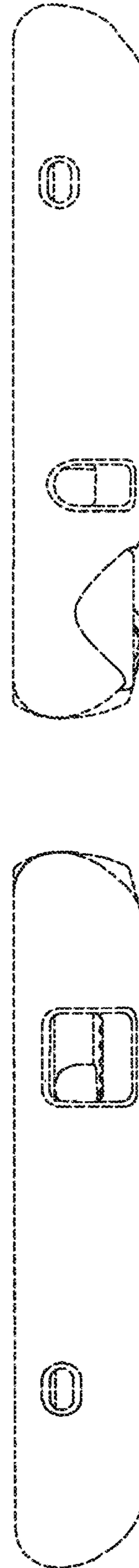


FIG. 6

FIG. 7

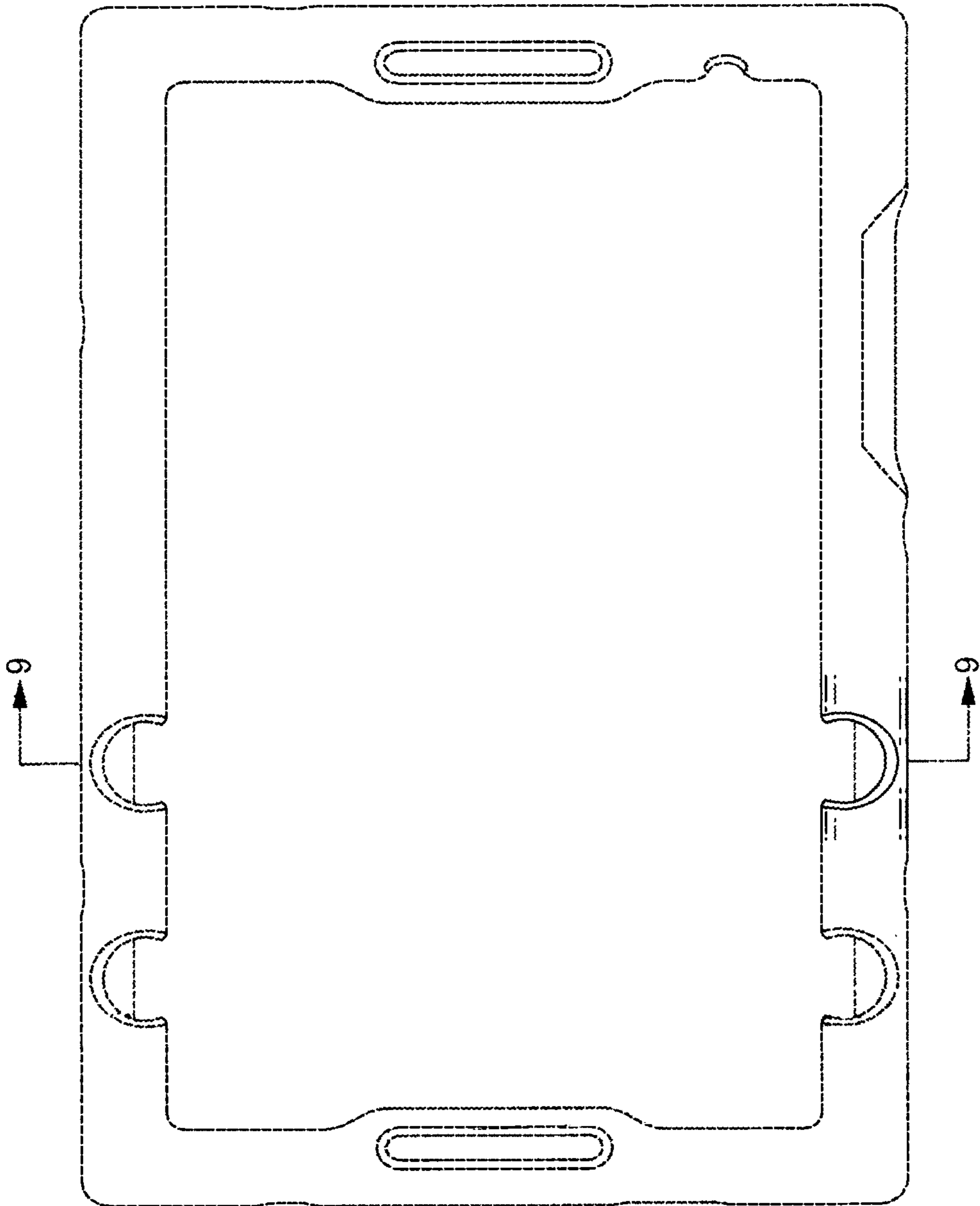


FIG. 8

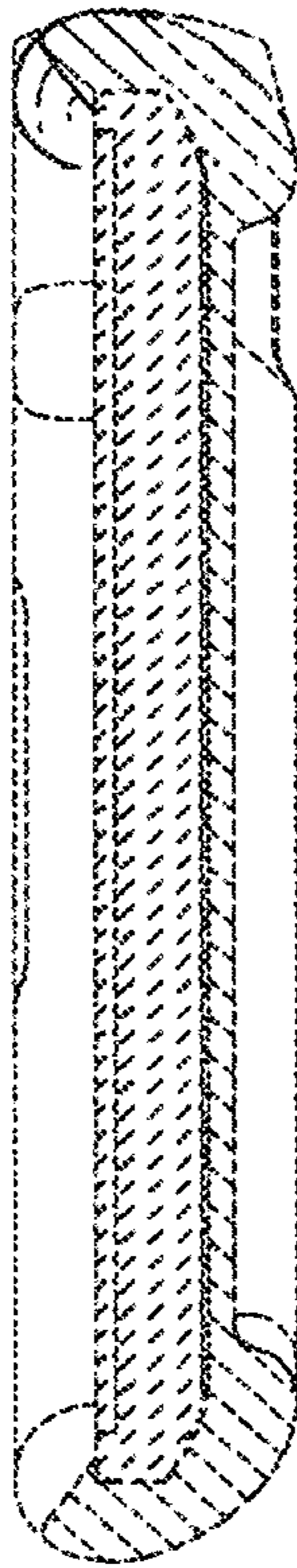


FIG. 9



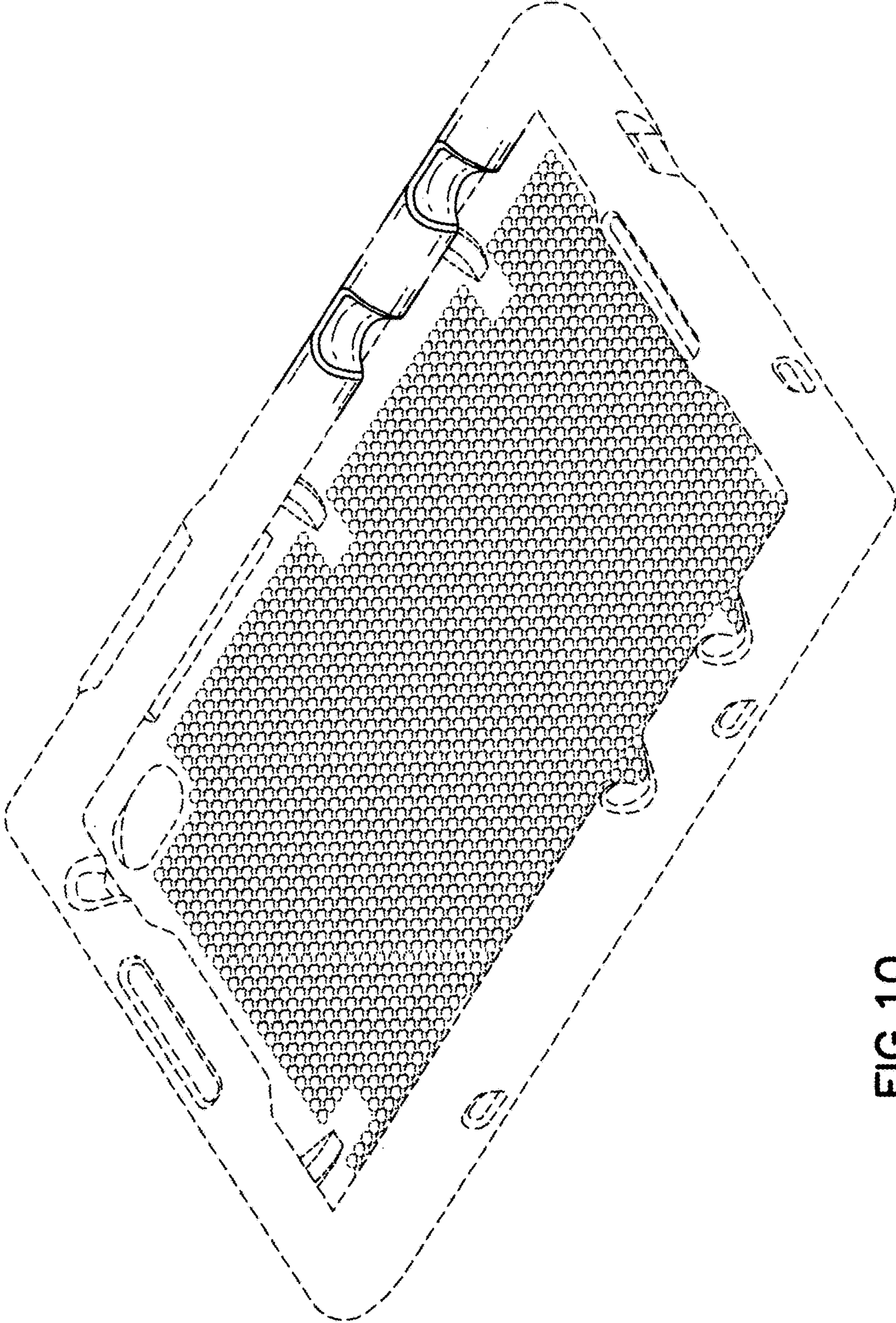


FIG.10

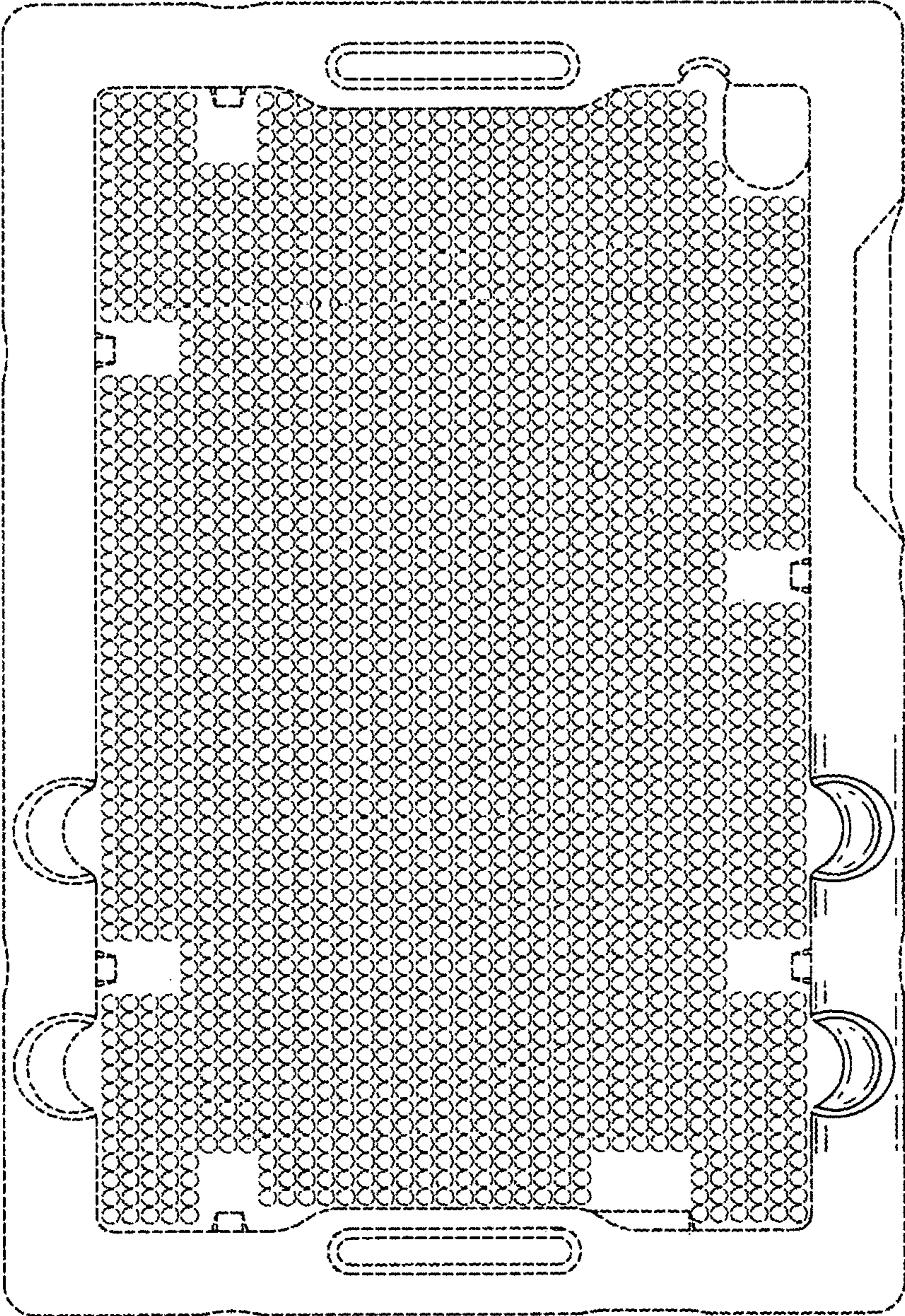


FIG. 11

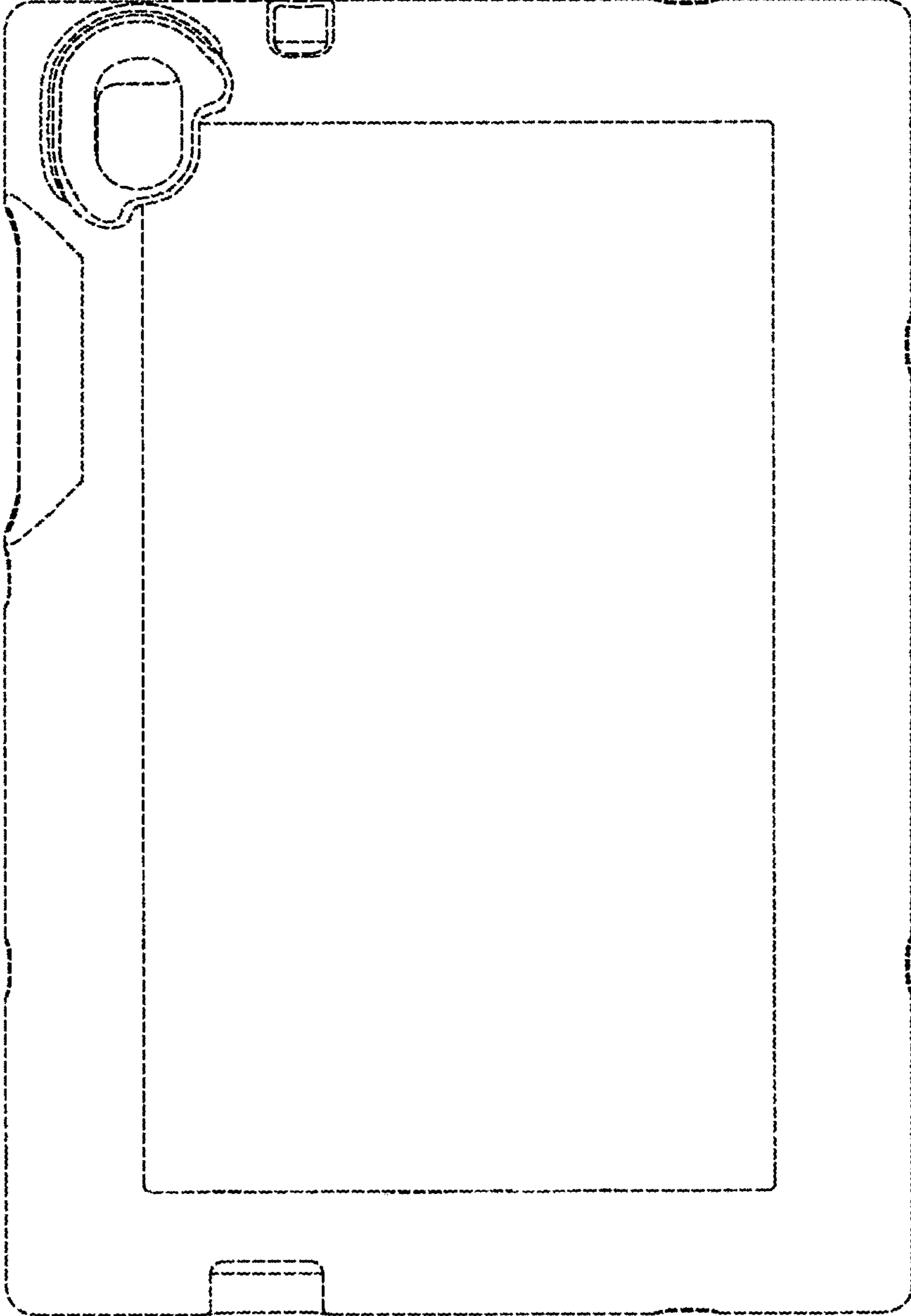


FIG. 12



FIG. 13

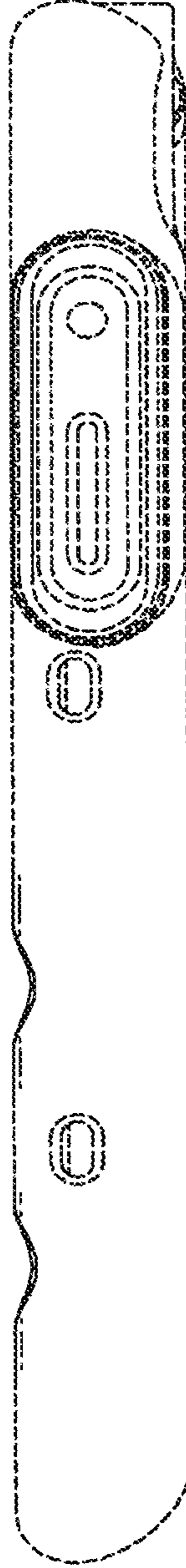


FIG. 14

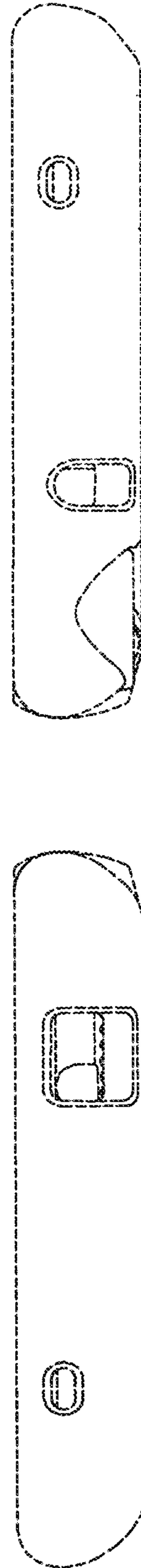


FIG. 15

FIG. 16

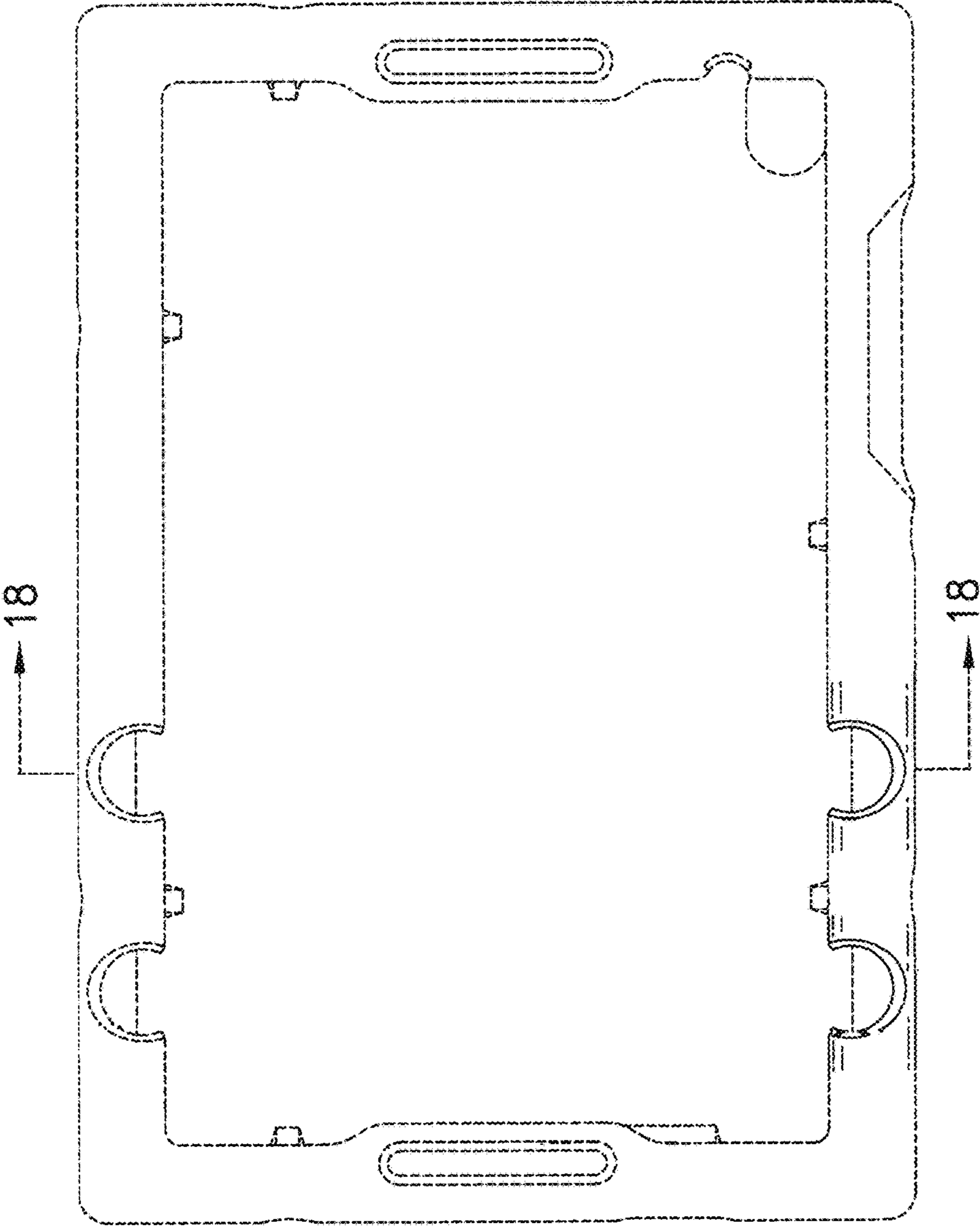


FIG.17

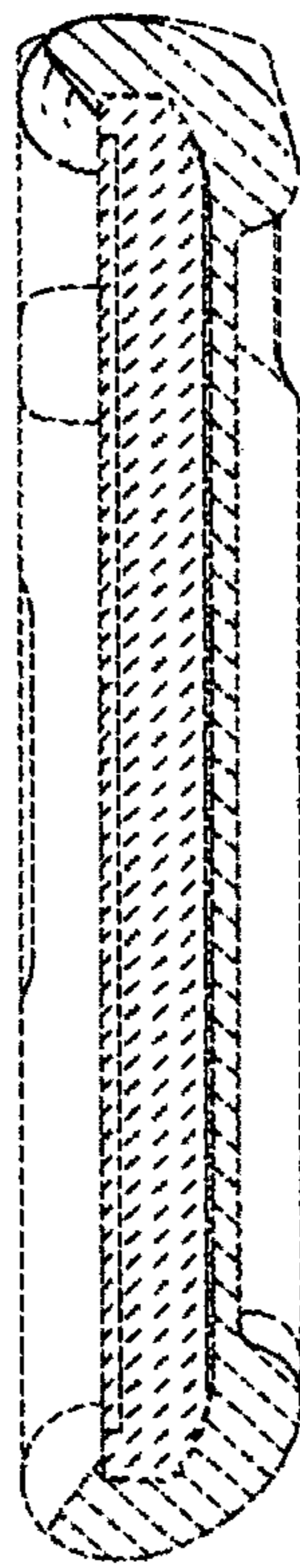


FIG. 18

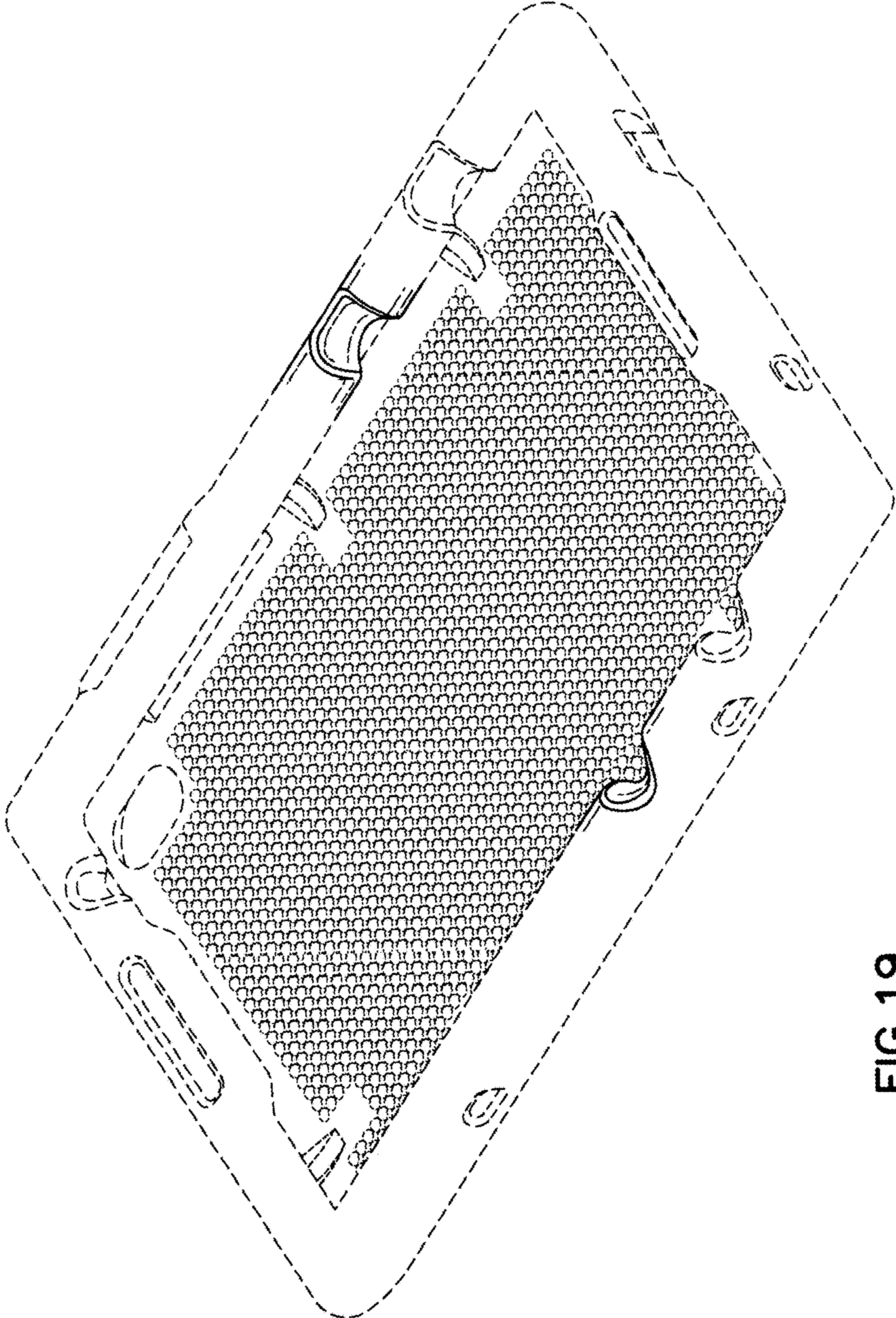


FIG.19

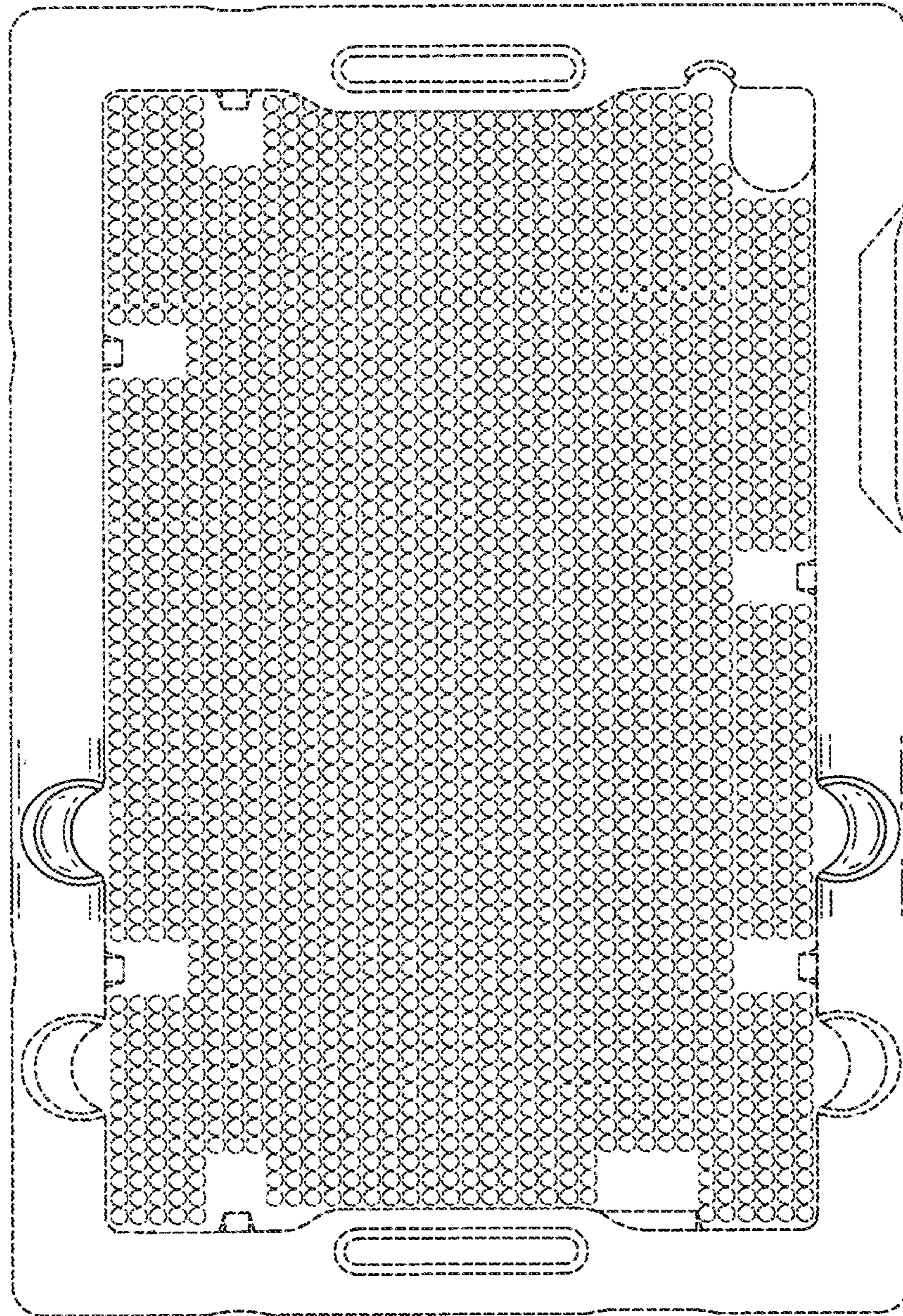


FIG. 20



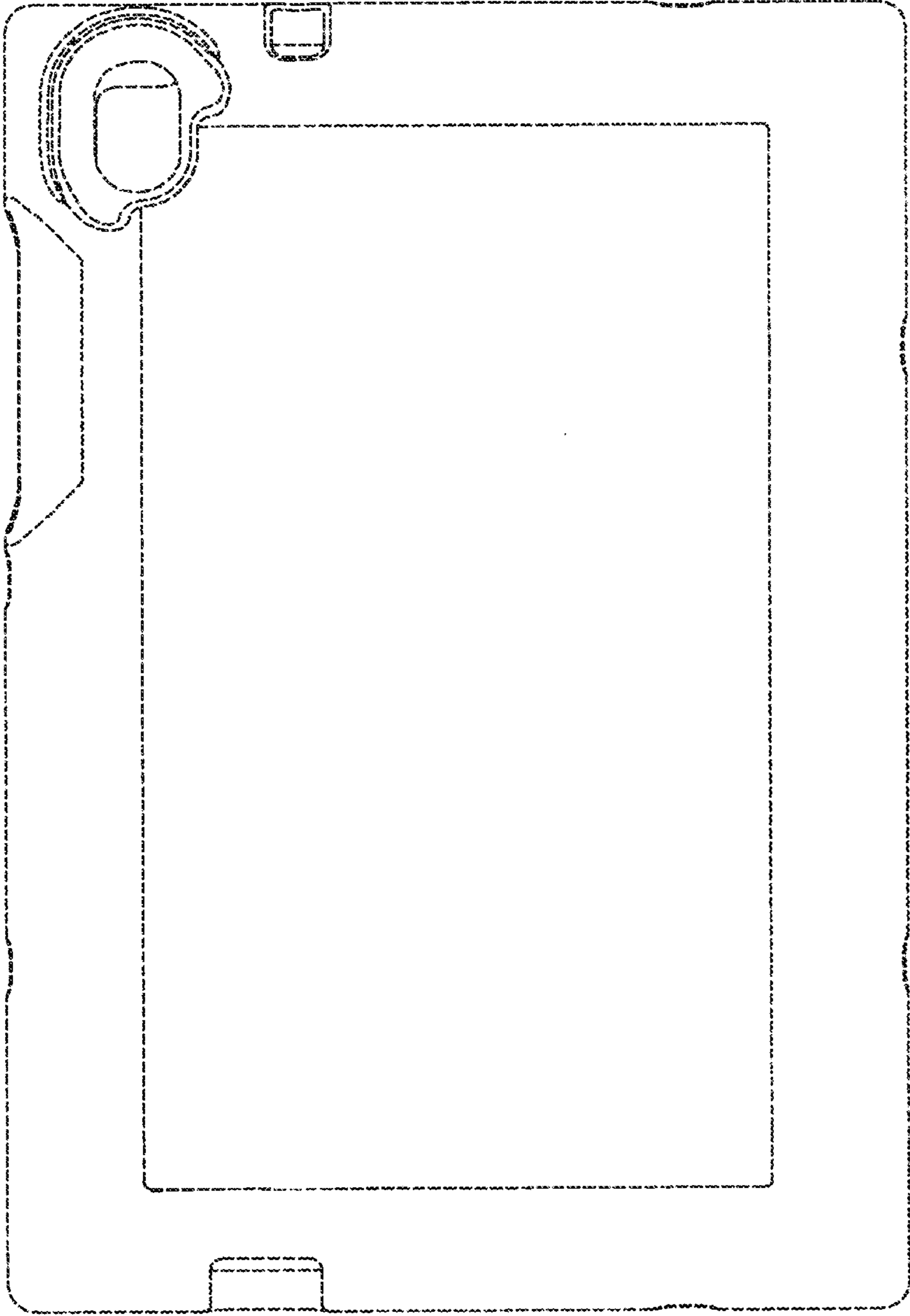


FIG. 21

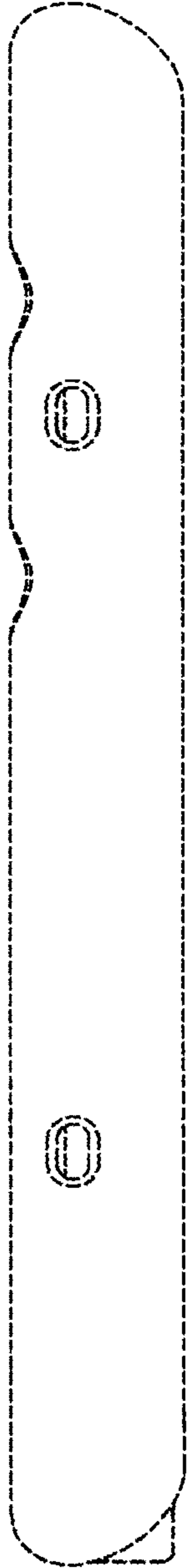


FIG. 22

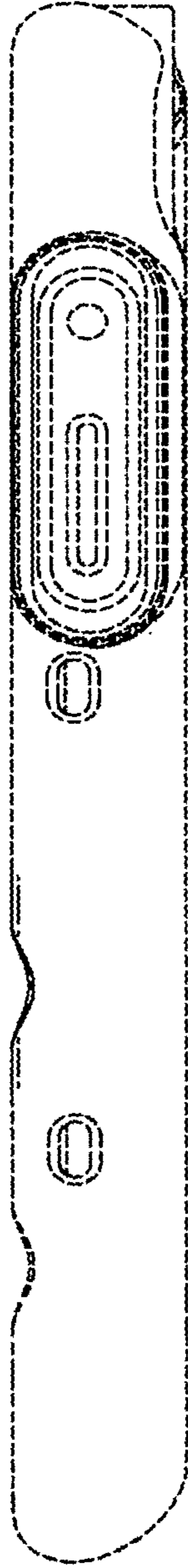


FIG. 23

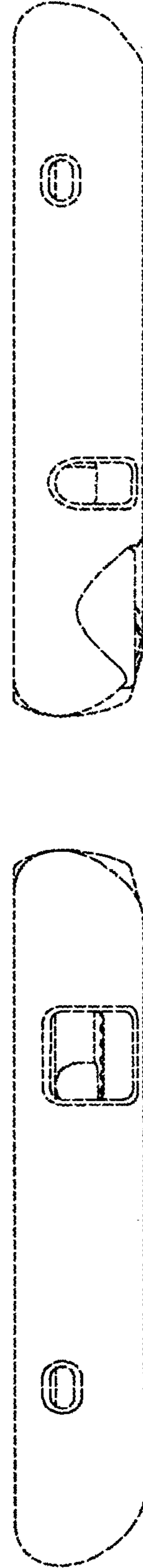


FIG. 24

FIG. 25

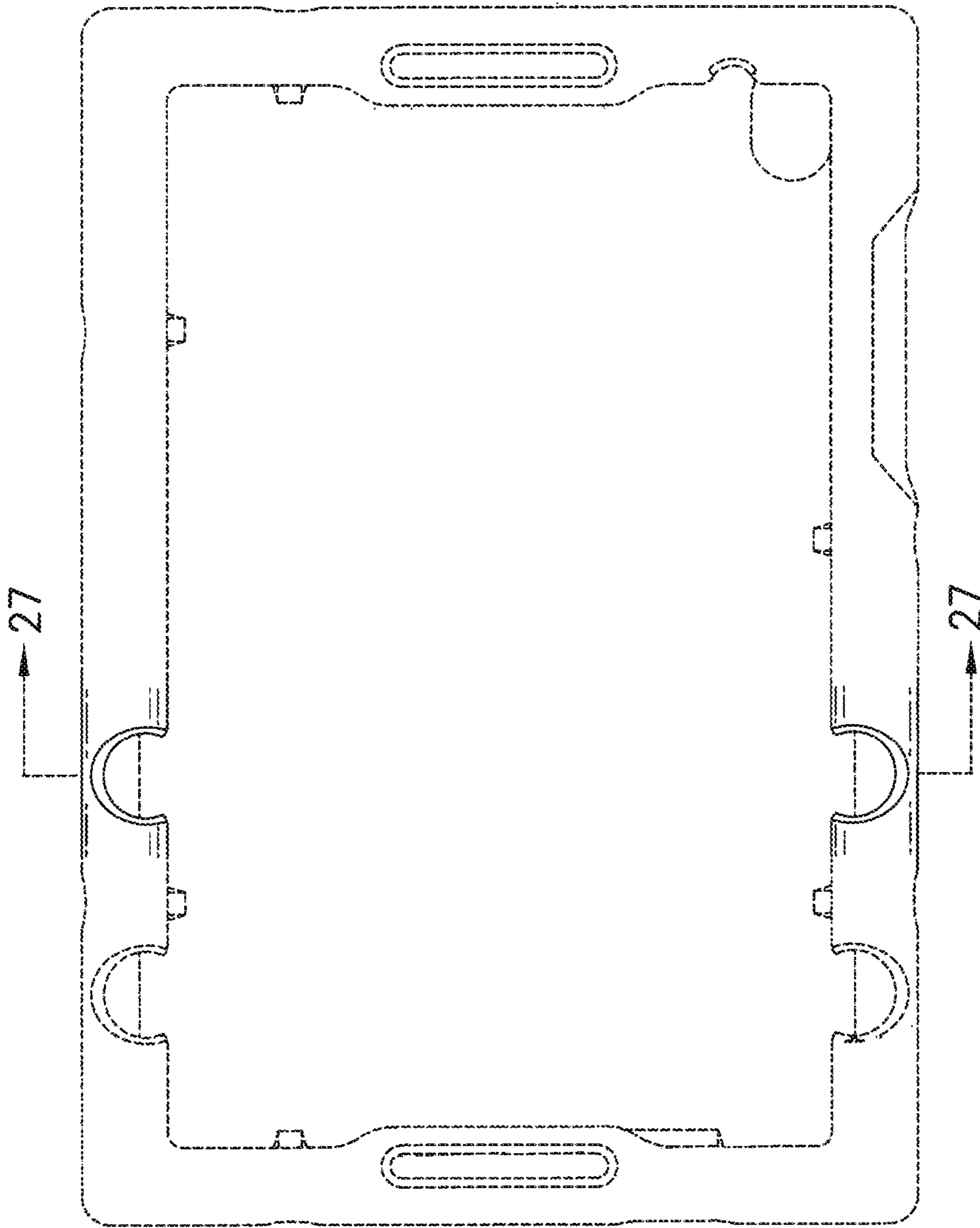


FIG. 26

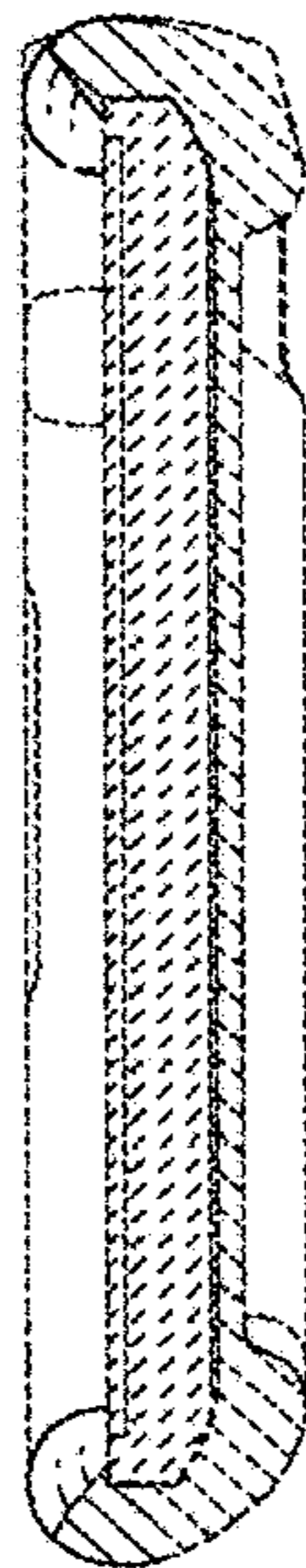


FIG. 27