



US00D825569S

(12) **United States Design Patent** (10) **Patent No.:** **US D825,569 S**
Wolff et al. (45) **Date of Patent:** **** Aug. 14, 2018**

(54) **3-D DESIGN ELEMENT FOR HARDWARE**

(71) Applicant: **Hewlett Packard Enterprise Development LP**, Houston, TX (US)

(72) Inventors: **Stacy L. Wolff**, Cypress, TX (US);
Keith J. Kuehn, Magnolia, TX (US);
Brooks Vaughan, Tomball, TX (US);
Stephen Spencer, Houston, TX (US);
Bjoern Frank, Munich (DE); **Nick Ross**, Munich (DE)

(73) Assignee: **Hewlett Packard Enterprise Development LP**, Houston, TX (US)

(**) Term: **15 Years**

(21) Appl. No.: **29/542,370**

(22) Filed: **Oct. 13, 2015**

(51) **LOC (11) Cl.** **14-02**

(52) **U.S. Cl.**
USPC **D14/439**; D14/432

(58) **Field of Classification Search**
USPC D14/300–302, 308–313, 314, 348,
D14/353–355, 432, 439–446, 214;
361/679.02, 679.31, 679.5, 690, 694,
361/679.23, 801, 802; 312/332.1, 334.1;
D13/162; D8/356, 353, 350, 343;
D6/702, 308, 301, 300; D19/37, 26, 113;
446/106; 40/721, 799; 174/66
CPC B65H 1/00; B65H 1/266; B65H 2402/441;
B65H 2405/311; B65H 2405/313
See application file for complete search history.

(56) **References Cited**

U.S. PATENT DOCUMENTS

782,229 A * 2/1905 Field A47G 29/1223
232/19
3,851,194 A * 11/1974 Kawada H01L 41/107
310/345

D243,378 S * 2/1977 Tharp D6/300
D255,522 S * 6/1980 Quigley, Jr. 5/53.1
D282,024 S * 1/1986 Muranen D6/300
D283,382 S * 4/1986 Goldsmith D6/707.19
D311,219 S * 10/1990 Bergh D19/26

(Continued)

OTHER PUBLICATIONS

U.S. Trademark Application Serial No. 86/596,916, filed on Apr. 14, 2015; Applicant: Hewlett Packard Enterprise Development LP Enterprise DC Holdings LLC.

(Continued)

Primary Examiner — Austin Murphy

(74) *Attorney, Agent, or Firm* — Fross Zelnick Lehrman & Zissu, P.C.

(57) **CLAIM**

The ornamental design for a 3-D design element for hardware, as shown and described.

DESCRIPTION

The patent or application file contains at least one drawing executed in color. Copies of this patent or patent application publication with color drawing(s) will be provided by the Office upon request and payment of the necessary fee.

FIG. 1 is a color perspective view of the 3-D design element for hardware with surface pattern;

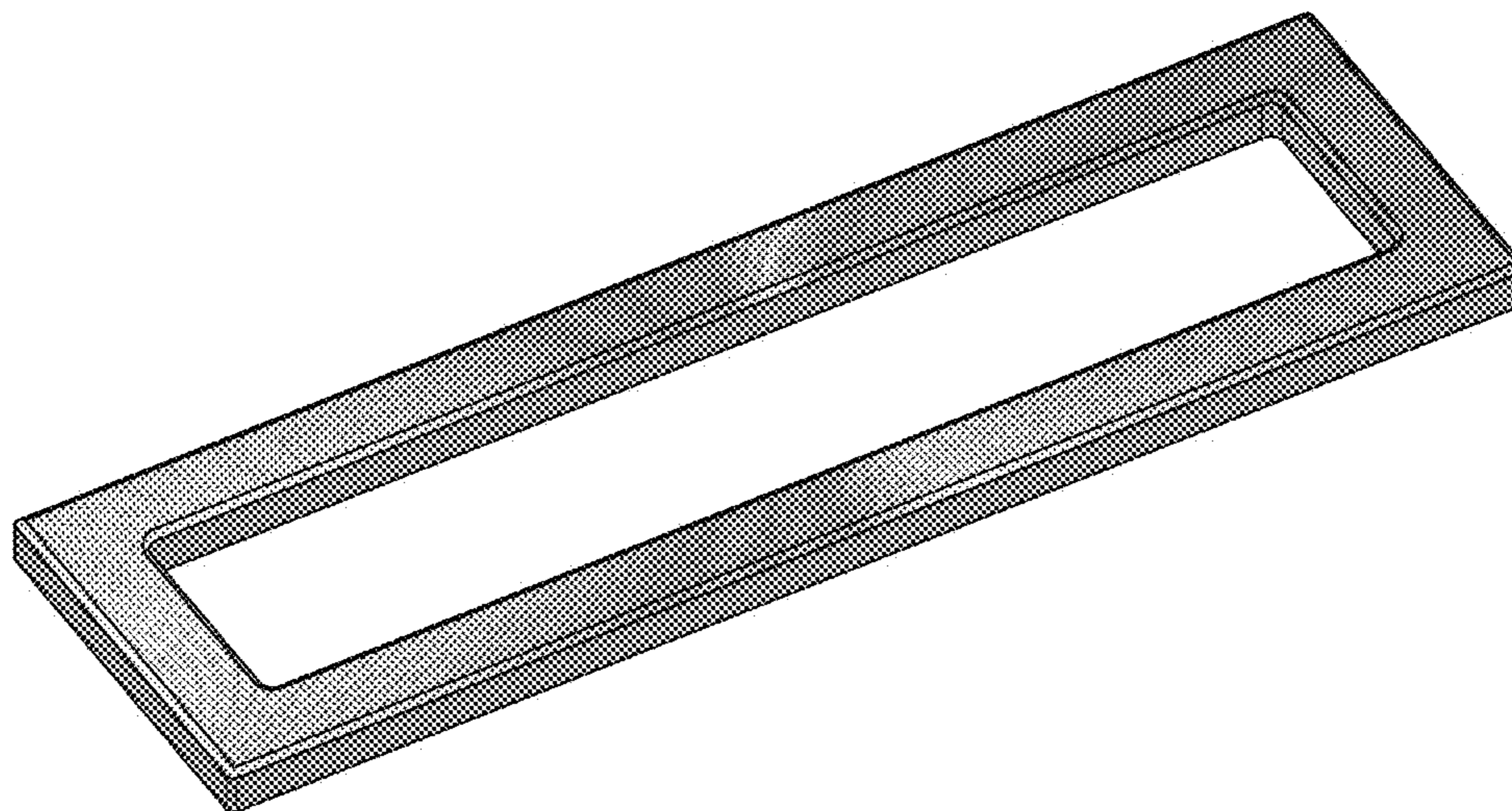
FIG. 2 is a color front view of the 3-D design element for hardware with surface pattern of FIG. 11;

FIG. 3 is a color bottom side view of the 3-D design element for hardware with surface pattern of FIG. 11, with the opposite top side being a mirror image thereof;

FIG. 4 is a color right side view of the 3-D design element for hardware with surface pattern of FIG. 11, with the left side being of identical appearance; and,

FIG. 5 is a rear back side view of the 3-D design element for hardware with surface pattern of FIG. 11.

1 Claim, 3 Drawing Sheets
(2 of 3 Drawing Sheet(s) Filed in Color)



(56)

References Cited

U.S. PATENT DOCUMENTS

5,041,698 A * 8/1991 Takagi H02G 3/18
174/66
D327,212 S * 6/1992 Hubben D8/353
5,153,816 A * 10/1992 Griffin H02G 3/14
174/66
5,400,532 A * 3/1995 Grove A47G 1/142
40/721
D362,433 S * 9/1995 Chen D14/441
5,472,800 A * 12/1995 Goto H01M 8/2485
429/460
D366,764 S * 2/1996 Hunt D6/300
5,911,521 A * 6/1999 Steinmetz E03C 1/33
24/306
D411,797 S * 7/1999 Schultz D8/306
6,116,981 A * 9/2000 Zheng A63H 33/065
446/106
D448,489 S * 9/2001 Jackson D25/48.3
D493,695 S * 8/2004 Wengrower D13/177
D529,960 S * 10/2006 Cox D19/37
D541,137 S * 4/2007 Fabrizi D8/353
D554,399 S * 11/2007 Kim D6/702
D559,649 S 1/2008 Ahn
D560,605 S * 1/2008 McClintock D13/102
D567,858 S * 4/2008 Donat D19/113
D579,296 S 10/2008 Popov
D579,762 S * 11/2008 Sempliner D8/356
D594,236 S * 6/2009 Sidropoulos D14/450
D601,814 S * 10/2009 Lissola D6/308
D609,782 S * 2/2010 Whatley D23/249
D613,510 S * 4/2010 Tzeng D14/371
D625,928 S * 10/2010 Lee D6/300
D633,308 S * 3/2011 Burwell D6/300
D634,131 S * 3/2011 Utsunomiya D6/308
D637,822 S * 5/2011 Utsunomiya D6/308
D639,568 S * 6/2011 Lee D6/308
D641,294 S * 7/2011 Edick D12/162
D644,914 S * 9/2011 Hoffman D8/353

D646,539 S 10/2011 Maras
D651,062 S 12/2011 Wackwitz
D654,703 S * 2/2012 LeMay D6/300
8,231,099 B2 * 7/2012 Chen F16M 11/10
248/461
D665,242 S 8/2012 Wackwitz
D708,497 S 7/2014 Høglund
D729,612 S * 5/2015 de Peralta D8/350
D732,917 S 6/2015 Vaientini
D738,177 S 9/2015 Finnas
D738,178 S 9/2015 Eisinger
D743,938 S * 11/2015 Kim D14/214
D744,799 S 12/2015 Rodenhouse et al.
D744,800 S 12/2015 Cooksey et al.
D747,165 S 1/2016 VanderWoude
D761,208 S * 7/2016 Wolff D13/152
D767,288 S * 9/2016 McMahan D6/300
D789,759 S 6/2017 Fellmann et al.
2009/0165351 A1 * 7/2009 Hsu G09F 9/35
40/799
2011/0026749 A1 * 2/2011 Yaun H04R 1/028
381/333
2012/0287564 A1 * 11/2012 Lochet H02G 3/14
361/679.01

OTHER PUBLICATIONS

U.S. Trademark Application Serial No. 86/533,633, filed on Feb. 12, 2015; Applicant: Hewlett Packard Enterprise Development LP Enterprise DC Holdings LLC.
Hewlett Packard Enterprise Development LP, Accelerating Next video, HPE roadshow, Sydney, Australia, Aug. 20, 2015—Submitted VIA CD-ROM along with Remarks.
Jacqueline Bracha Israel Registrar of Patents Sunday, May 7, 2017 Decision for Application for Design Application No. 57516.
Wolff, Stacy L., et al; “Non-Final Office Action” dated Oct. 5, 2017; 19 pages.

* cited by examiner

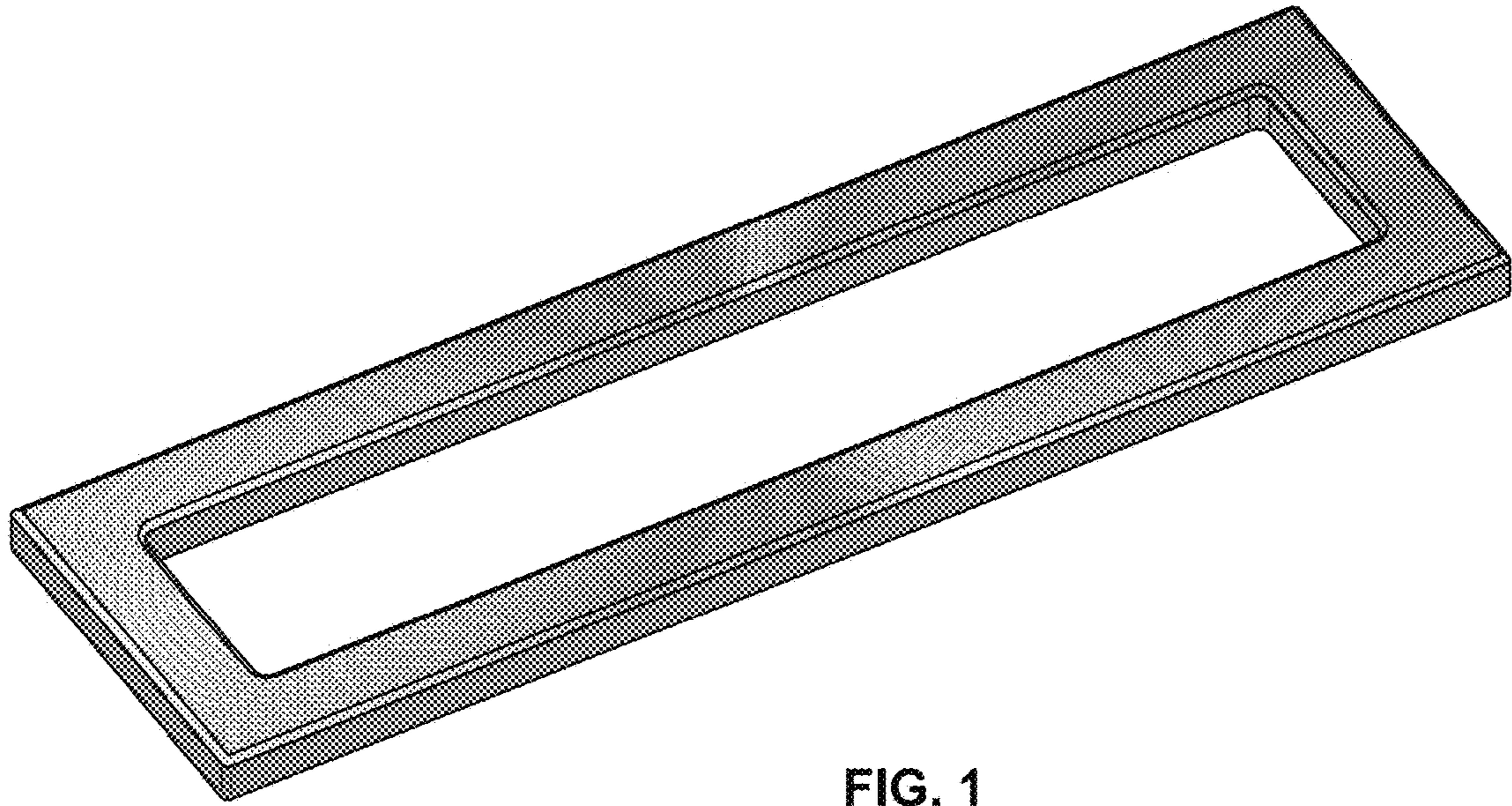


FIG. 1

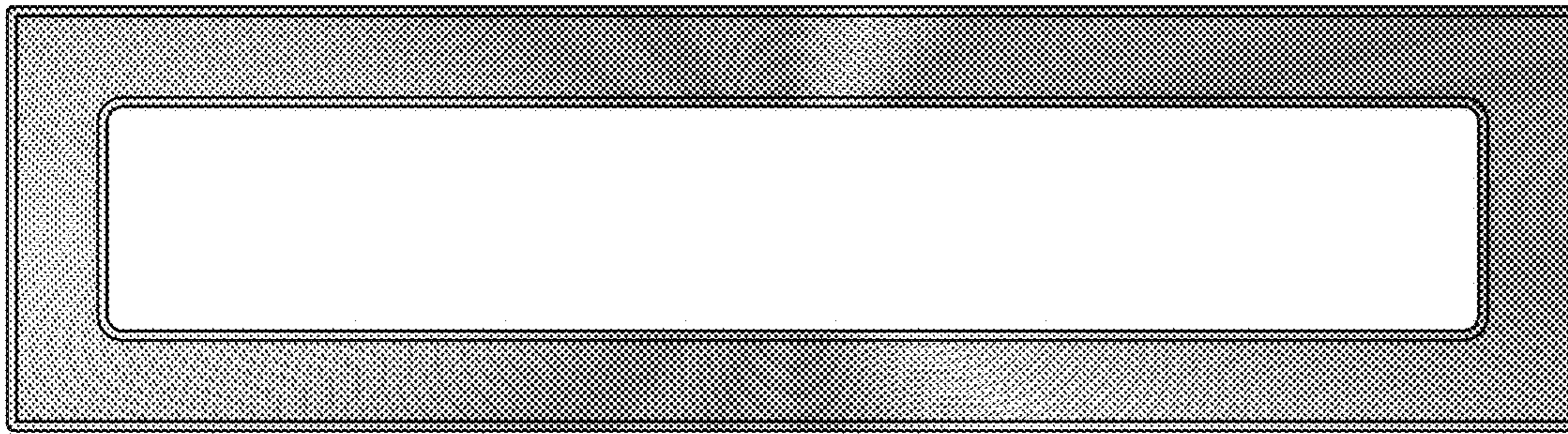


FIG. 2



FIG. 3



FIG. 4

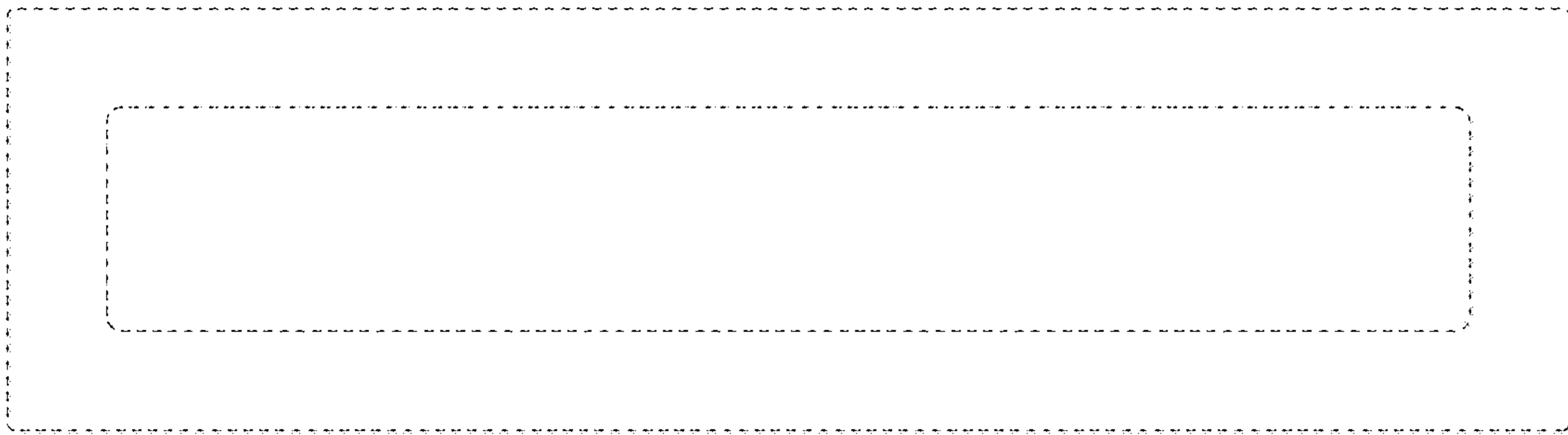


FIG. 5