



US00D825567S

(12) **United States Design Patent** (10) **Patent No.:** **US D825,567 S**
Behrooznia et al. (45) **Date of Patent:** **** Aug. 14, 2018**

(54) **OPTICAL READER FOR ACCESS GATE**

(71) Applicant: **Cubic Corporation**, San Diego, CA (US)

(72) Inventors: **Rasheed Behrooznia**, San Diego, CA (US); **Christina Nilles**, San Diego, CA (US); **Michael Hilton**, Carlsbad, CA (US)

(73) Assignee: **CUBIC CORPORATION**, San Diego, CA (US)

(**) Term: **15 Years**

(21) Appl. No.: **29/566,667**

(22) Filed: **Jun. 1, 2016**

(51) **LOC (11) Cl.** **14-02**

(52) **U.S. Cl.**
USPC **D14/420**

(58) **Field of Classification Search**

USPC D14/420-425, 427, 430, 383; D18/55, D18/49, 46, 40, 36-39, 41, 44, 45, 47, D18/48, 50-54, 56; 235/462, 455, 470, 235/462.43, 482, 483; 358/474, 486, 488, 358/496, 497, 498, 452, 449, 451, 453, 358/1.13; 318/685, 696; 355/81, 75; 399/405, 367, 379, 380; 382/217; 715/209, 222, 226, 274; 400/613, 400/613.1-613.4, 690.1-690.4, 691-694
CPC H04N 1/00; H04N 1/12; H04N 1/00013; H04N 1/00015; H04N 1/00018; H04N 1/00026; H04N 1/00557; H04N 1/00564; H04N 1/00567; H04N 1/0057; H04N 1/00572; H04N 1/00586; H04N 1/00588; H04N 1/00591; H04N 1/00594; H04N 1/00596; H04N 1/00604; H04N 1/00519; H04N 1/00559; H04N 1/1013; H04N 1/10; H04N 1/00551; H04N 1/00278; H04N 2201/0456; H04N 2201/0446; H04N 2201/00; H04N 2201/0094; G03G 15/0142; G03G 15/605; G03G 15/602;

B65H 5/26; B65H 5/30; B65H 5/36; B65H 7/00; B65H 2402/515; B65H 2402/31; B65H 2511/20; B65H 2511/414; B65H 2513/42; B65H 2801/39; B65H 2801/31; B65H 2215/00189; B65H 2215/00194; B65H 2215/00198; B65H 2215/00202; B65H 2215/00206; B65H 2215/20; B65H 2301/00; B65H 2220/04; B65H 3/5261

See application file for complete search history.

(56) **References Cited**

U.S. PATENT DOCUMENTS

3,247,362 A * 4/1966 Parks, III G06K 21/04 235/460
D234,431 S * 3/1975 McGehee et al. D25/48.6
D241,656 S * 9/1976 Genaro et al. D14/130

(Continued)

Primary Examiner — Susan Moon Lee

(74) *Attorney, Agent, or Firm* — Kilpatrick Townsend & Stockton, LLP

(57) **CLAIM**

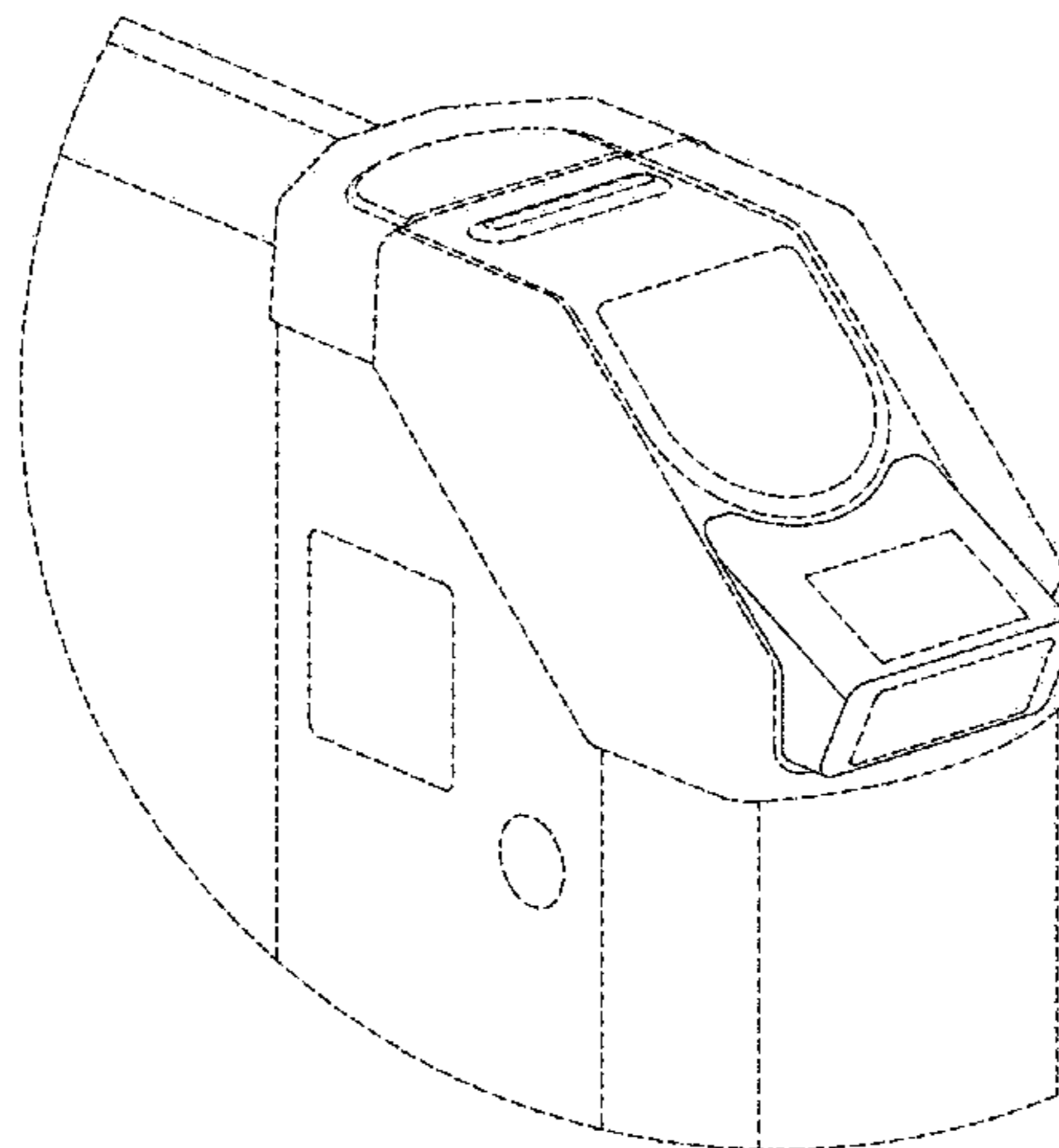
We claim the ornamental design for an optical reader for access gate, as shown and described.

DESCRIPTION

FIG. 1 is a perspective view of an optical reader for access gate, showing our new design; FIG. 2 is a left side view thereof; FIG. 3 is a front view thereof; FIG. 4 is a right side view thereof; FIG. 5 is a top view thereof; and, FIG. 6 is a bottom view thereof.

Broken lines and unshaded portions contained within broken lines depict either parts of the optical reader that form no part of the present claimed design or exemplary environment shown for illustrative purposes only and that form no part of the claimed design.

1 Claim, 6 Drawing Sheets



(56)

References Cited

U.S. PATENT DOCUMENTS

D289,291 S *	4/1987	Kapper	D14/389	D599,751 S *	9/2009	Zhang	D14/125
D295,413 S *	4/1988	Nakamura	D14/420	D612,952 S *	3/2010	Balastik	D25/48.6
D299,028 S *	12/1988	Hermann	D10/31	D621,834 S *	8/2010	Kinno	D14/383
D303,111 S *	8/1989	Paley	D14/374	7,775,486 B2 *	8/2010	Depay	F16M 11/10 248/121
D312,046 S *	11/1990	Ruehlemann	D10/70	D626,550 S *	11/2010	Julien	D14/341
D314,187 S *	1/1991	Richards	D14/381	D626,551 S *	11/2010	Julien	D14/341
D335,662 S *	5/1993	Shepard	D14/427	D635,872 S *	4/2011	Au Yeung	D10/70
D342,245 S *	12/1993	Krichever	D14/427	D642,607 S *	8/2011	Bergstrom	D16/203
D344,494 S *	2/1994	Cardenas	D14/344	D656,124 S *	3/2012	Smith	D14/204
D355,205 S *	2/1995	Yokoi	D16/202	D676,345 S *	2/2013	Sterling	D10/104.1
D355,921 S *	2/1995	Crouch	D16/202	D680,458 S *	4/2013	Corso	D10/104.1
D359,483 S *	6/1995	Saunders	D14/420	8,413,380 B1 *	4/2013	Bredl	E05D 7/02 49/236
5,496,992 A *	3/1996	Madan	G06K 7/10881 235/462.48	D696,792 S *	12/2013	Cheong	D25/48.5
5,505,199 A *	4/1996	Kim	A61B 5/11 348/143	D710,361 S *	8/2014	Park	D14/420
5,548,106 A *	8/1996	Liang	G06K 7/10851 235/454	D727,901 S *	4/2015	Nishimura	D14/383
5,550,366 A *	8/1996	Roustaei	G06K 7/10891 235/455	D734,336 S *	7/2015	Mistkawi	D14/420
5,610,386 A *	3/1997	Ball	G06K 7/10891 235/412	D741,861 S *	10/2015	Haidar	D14/383
D391,250 S *	2/1998	Swift	D14/427	D743,397 S *	11/2015	Ciabattoni	D14/420
5,808,289 A *	9/1998	Becker	G06K 7/10891 235/462.01	D750,513 S *	3/2016	King	D10/70
D401,571 S *	11/1998	Butts	D14/385	D755,181 S *	5/2016	Mistkawi	D14/420
5,969,332 A *	10/1999	Ueda	G06Q 20/045 235/492	D768,013 S *	10/2016	Stecker	D10/70
D416,032 S *	11/1999	Bakshi	D16/203	D787,506 S *	5/2017	Takiguchi	D14/341
6,007,195 A *	12/1999	Kokubo	B41J 3/36 347/108	D787,508 S *	5/2017	Takiguchi	D14/341
6,195,053 B1 *	2/2001	Kodukula	G06K 7/0004 235/462.47	D798,296 S *	9/2017	Ali	D14/358
D444,811 S *	7/2001	Yamamoto	D18/50	D800,120 S *	10/2017	Ciabattoni	D14/420
D453,514 S *	2/2002	Elam	D14/420	D802,593 S *	11/2017	Zhang	D14/420
D454,873 S *	3/2002	Clark	D14/358	D808,391 S *	1/2018	Schooneveldt	D14/426
D480,397 S *	10/2003	Forsythe	D14/383	D810,802 S *	2/2018	Schulze	D16/202
6,728,480 B1 *	4/2004	Maeda	G03B 17/08 348/373	2001/0017317 A1 *	8/2001	Ishigame	G07B 11/00 235/384
D495,335 S *	8/2004	Masamitsu	D14/384	2003/0111530 A1 *	6/2003	Iki	G07B 15/00 235/382
D529,950 S *	10/2006	Katayama	D18/50	2004/0149829 A1 *	8/2004	Boucher	A47F 9/046 235/462.43
7,195,162 B2 *	3/2007	Mazzone	G06K 7/10881 235/454	2007/0205279 A1 *	9/2007	Bistany	G01N 1/2214 235/384
D550,710 S *	9/2007	Ichinose	D14/496	2010/0277330 A1 *	11/2010	Gentilini	G06K 7/10881 340/679
7,298,979 B2 *	11/2007	Kitozaki	G03G 15/6538 399/107	2013/0013813 A1 *	1/2013	Lee	G06F 1/1632 710/5
D578,121 S *	10/2008	Goto	D14/385	2013/0038985 A1 *	2/2013	Powell	G06K 7/109 361/679.01
D578,527 S *	10/2008	Mincoelli	D14/341	2013/0341495 A1 *	12/2013	Fabbri	G01S 7/493 250/214.1
D583,822 S *	12/2008	Matsumoto	D14/426	2015/0371071 A1 *	12/2015	Ciabattoni	G06K 9/20 235/454
D584,730 S *	1/2009	Lin	D14/383	2016/0042333 A1 *	2/2016	Ho	G06Q 20/18 705/41
D585,066 S *	1/2009	Morris	D14/427	2016/0060944 A1 *	3/2016	Perkins	E06B 11/08 49/14
D586,801 S *	2/2009	Mincoelli	D14/341	2016/0371893 A1 *	12/2016	Busch- Sorensen	G06K 7/10128
D589,914 S *	4/2009	Wang	D14/125	2017/0124773 A1 *	5/2017	Busch-Sorensen	G07B 15/00
D590,828 S *	4/2009	Sherrod	D14/385	2018/0075667 A1 *	3/2018	Busch-Sorensen	G06K 7/10425
D598,403 S *	8/2009	Huang	D14/125				

* cited by examiner

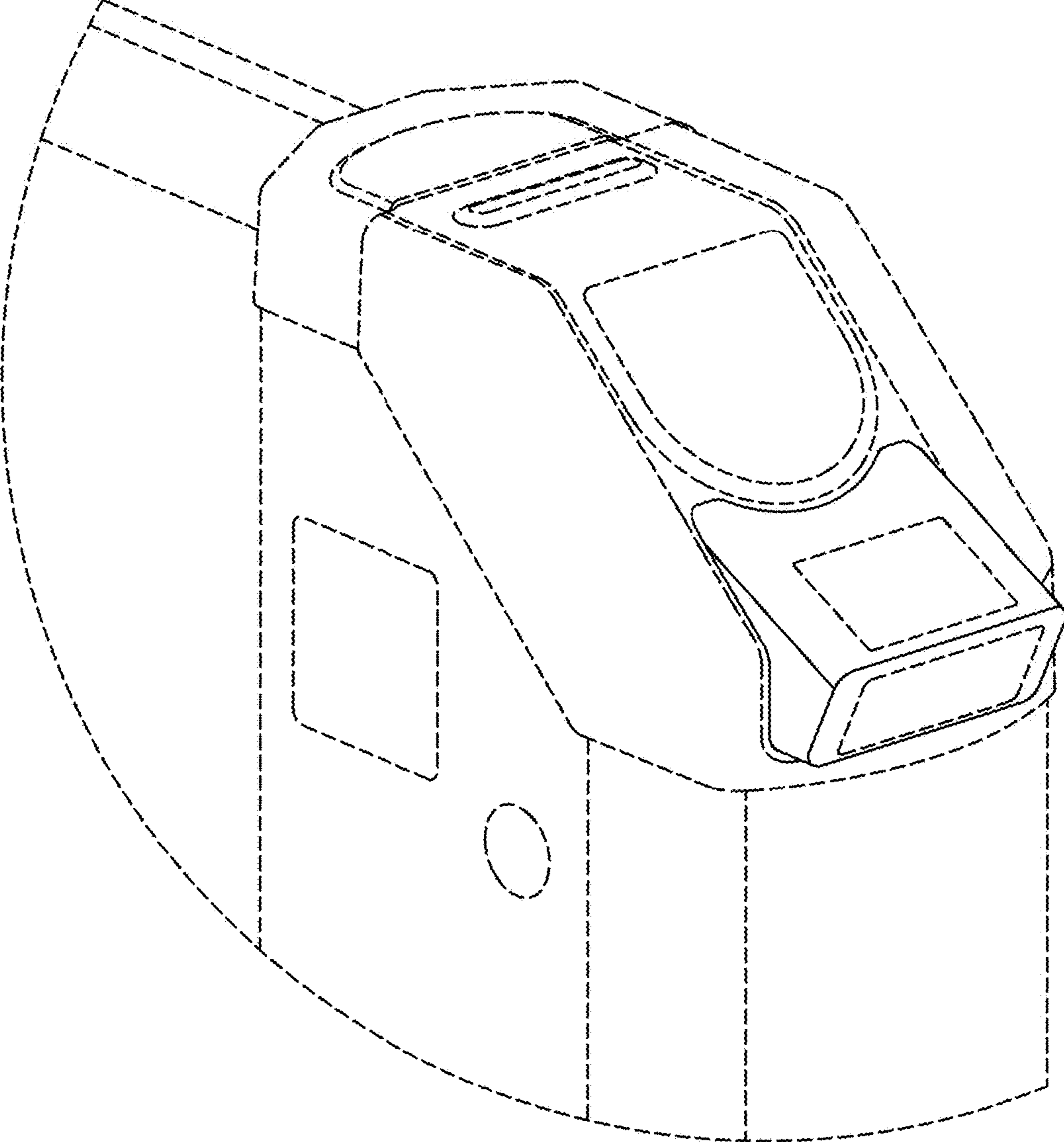


FIG.1

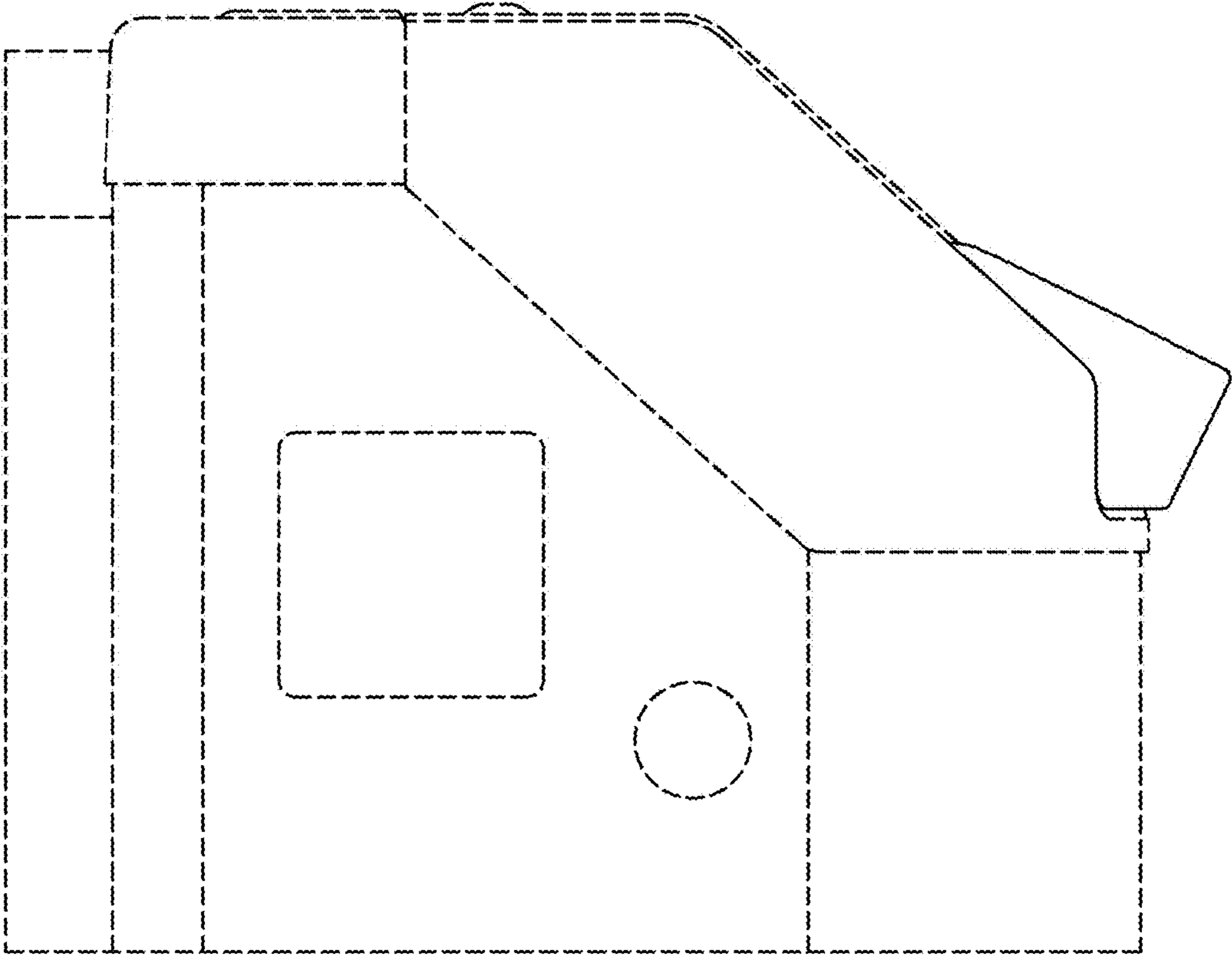


FIG.2

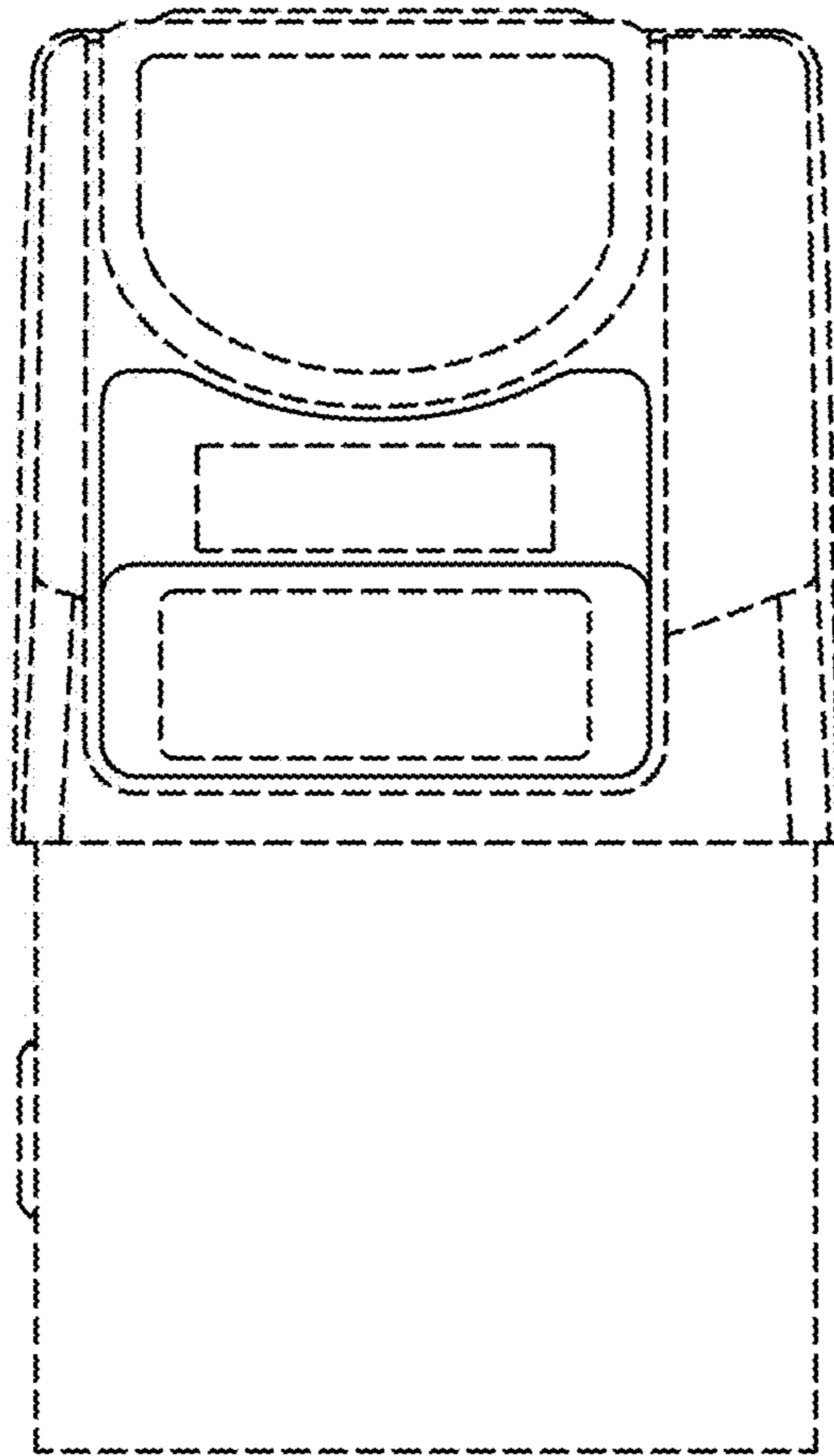


FIG.3

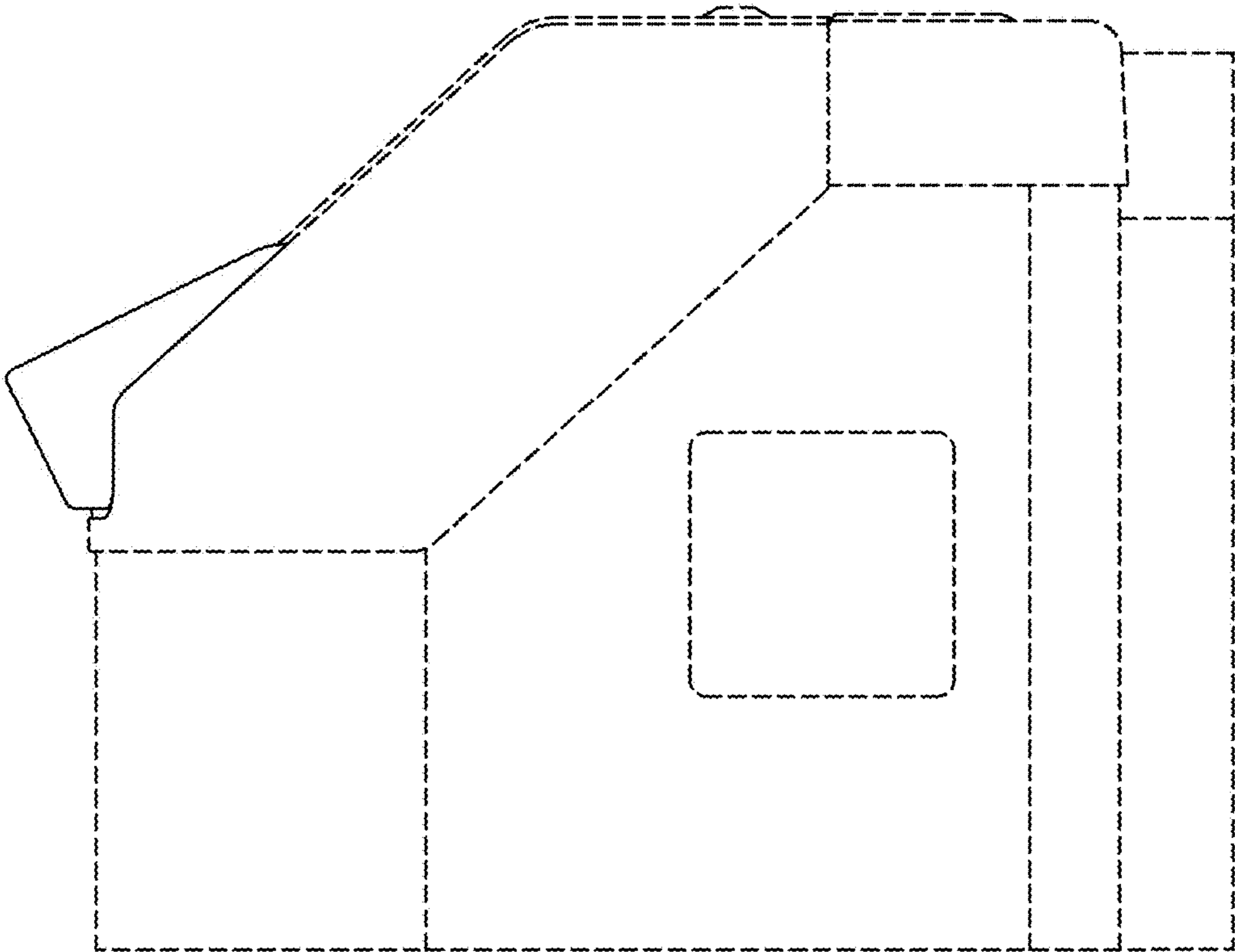


FIG.4

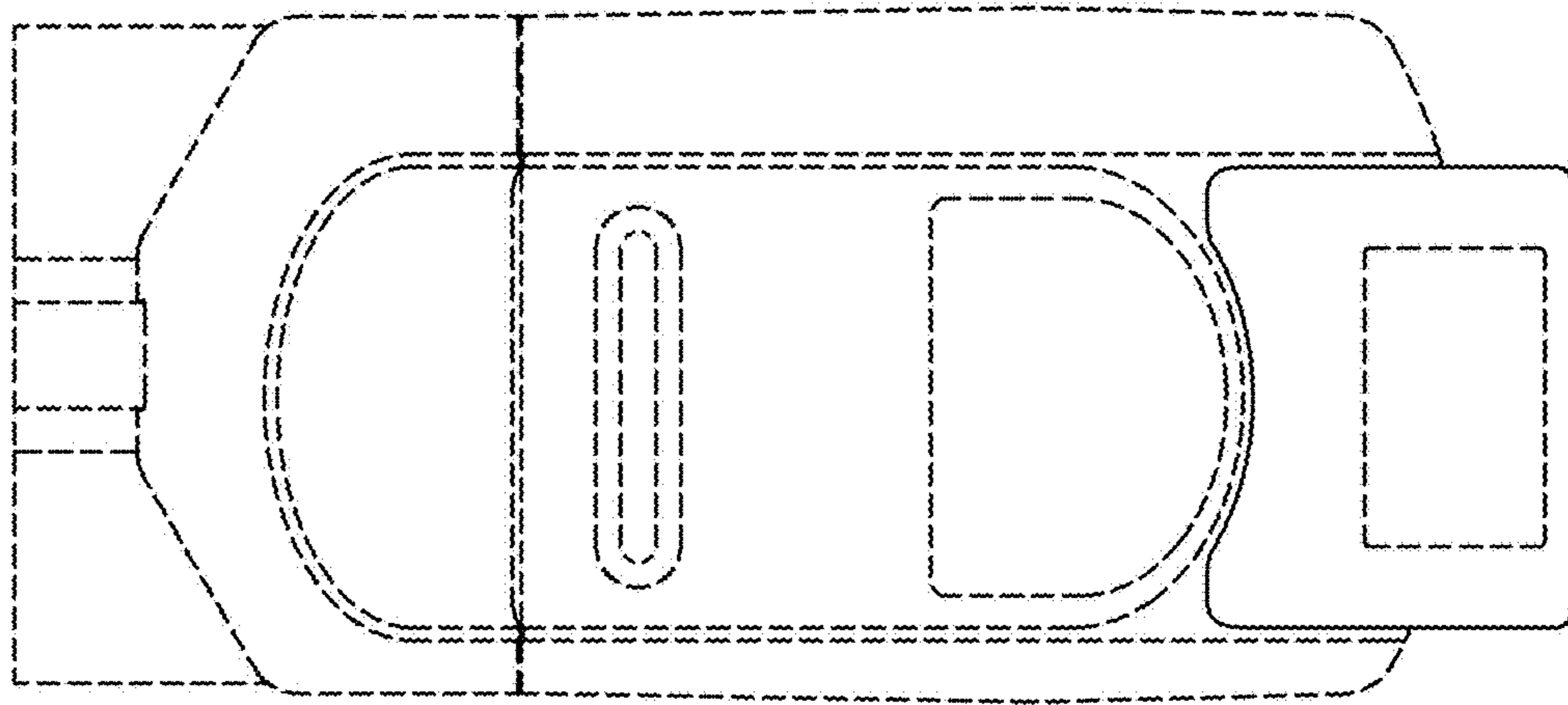


FIG.5

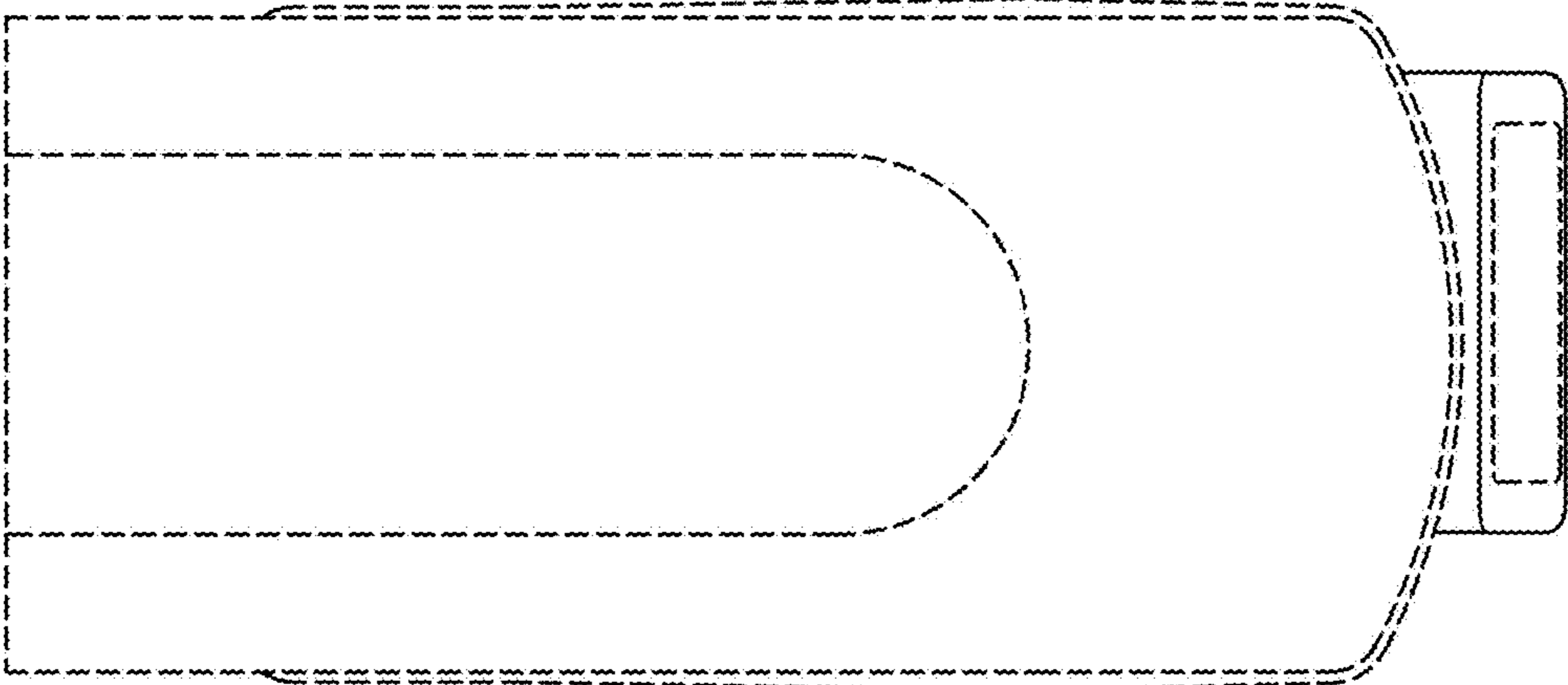


FIG.6