



US00D825565S

(12) **United States Design Patent**
Gu et al.

(10) **Patent No.:** **US D825,565 S**

(45) **Date of Patent:** **** Aug. 14, 2018**

(54) **INPUT DEVICE**

(71) Applicant: **Logitech Europe S.A.**, Lausanne (CH)

(72) Inventors: **Zhenya Gu**, Lausanne (CH); **Martin Gleeson**, Cork (IE); **Christophe Dayer**, Onex (CH); **Cathal Loughnane**, Wexford (IE); **Bayden Filleul**, Wicklow (IE)

(73) Assignee: **Logitech Europe S.A.**, Lausanne (CH)

(**) Term: **15 Years**

(21) Appl. No.: **29/599,681**

(22) Filed: **Apr. 5, 2017**

(51) **LOC (11) Cl.** **14-02**

(52) **U.S. Cl.**
USPC **D14/409**

(58) **Field of Classification Search**
USPC D14/402-411, 356, 388, 389, 383-385,
D14/417, 426; 345/156-167; 463/36-38;
358/471, 473; 273/148 B
CPC G06F 3/03543; G06F 2203/0333; G06F
3/039; G06F 3/038; G06F 2203/0384
See application file for complete search history.

(56) **References Cited**

U.S. PATENT DOCUMENTS

D597,546 S *	8/2009	Kujawski	D14/409
D599,353 S *	9/2009	Kujawski	D14/409
D620,009 S *	7/2010	Lin	D14/409
D624,918 S *	10/2010	Kujawski	D14/409
D665,392 S *	8/2012	Jost	D14/409
D667,409 S *	9/2012	Kujawski	D14/409
D669,895 S *	10/2012	Li	D14/409

D681,039 S *	4/2013	Altaai	D14/409
D688,245 S *	8/2013	Guerra	D14/409
D688,664 S *	8/2013	Guerra	D14/409
D739,406 S *	9/2015	Jost	D14/409
D742,879 S *	11/2015	Helwig	D14/409
D749,076 S *	2/2016	Helwig	D14/409
D755,180 S *	5/2016	Pascucci	D14/409
D762,646 S *	8/2016	Chong	D14/409
D794,638 S *	8/2017	Zheng	D14/409

* cited by examiner

Primary Examiner — Austin Murphy

(74) *Attorney, Agent, or Firm* — Kilpatrick Townsend & Stockton LLP

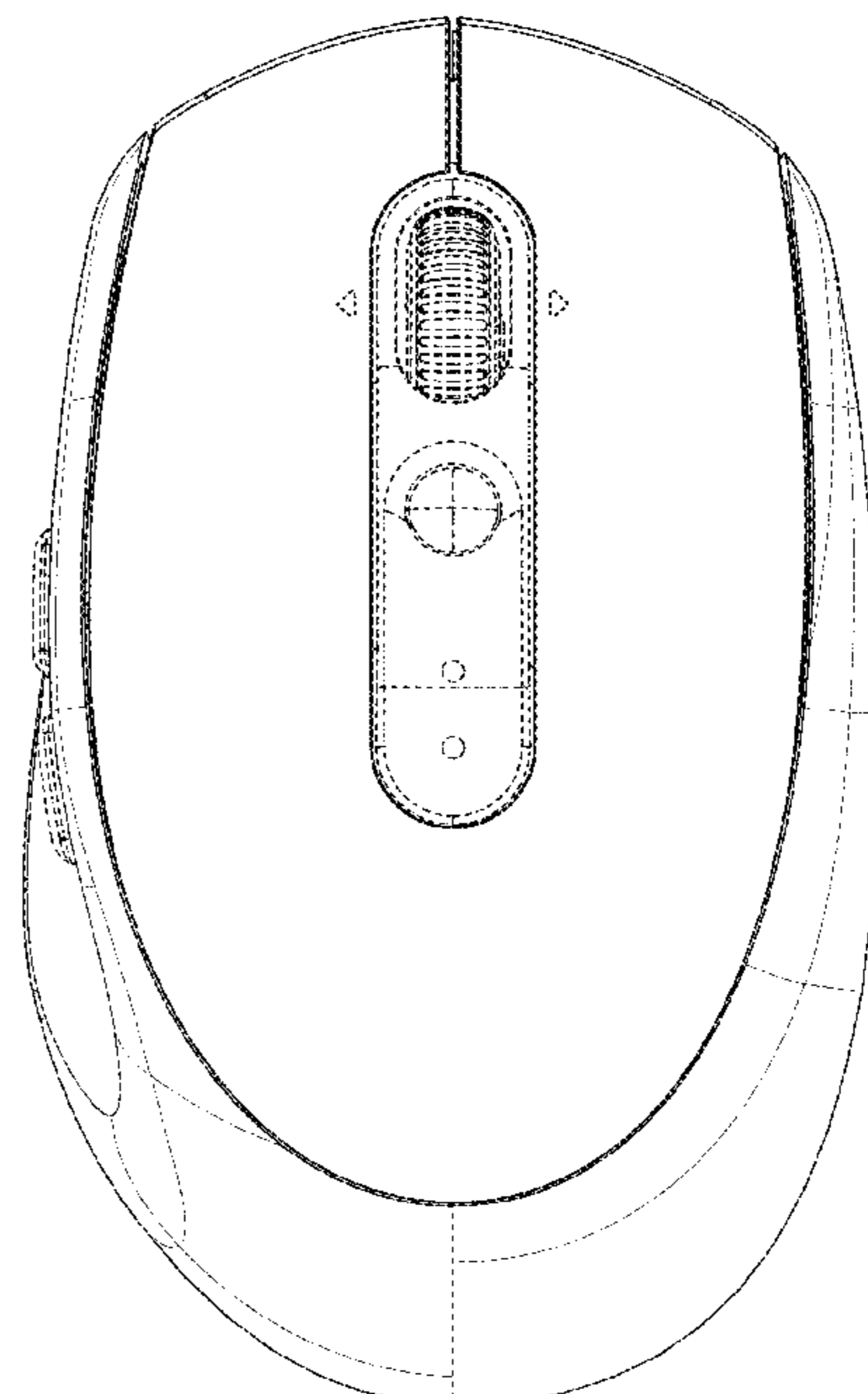
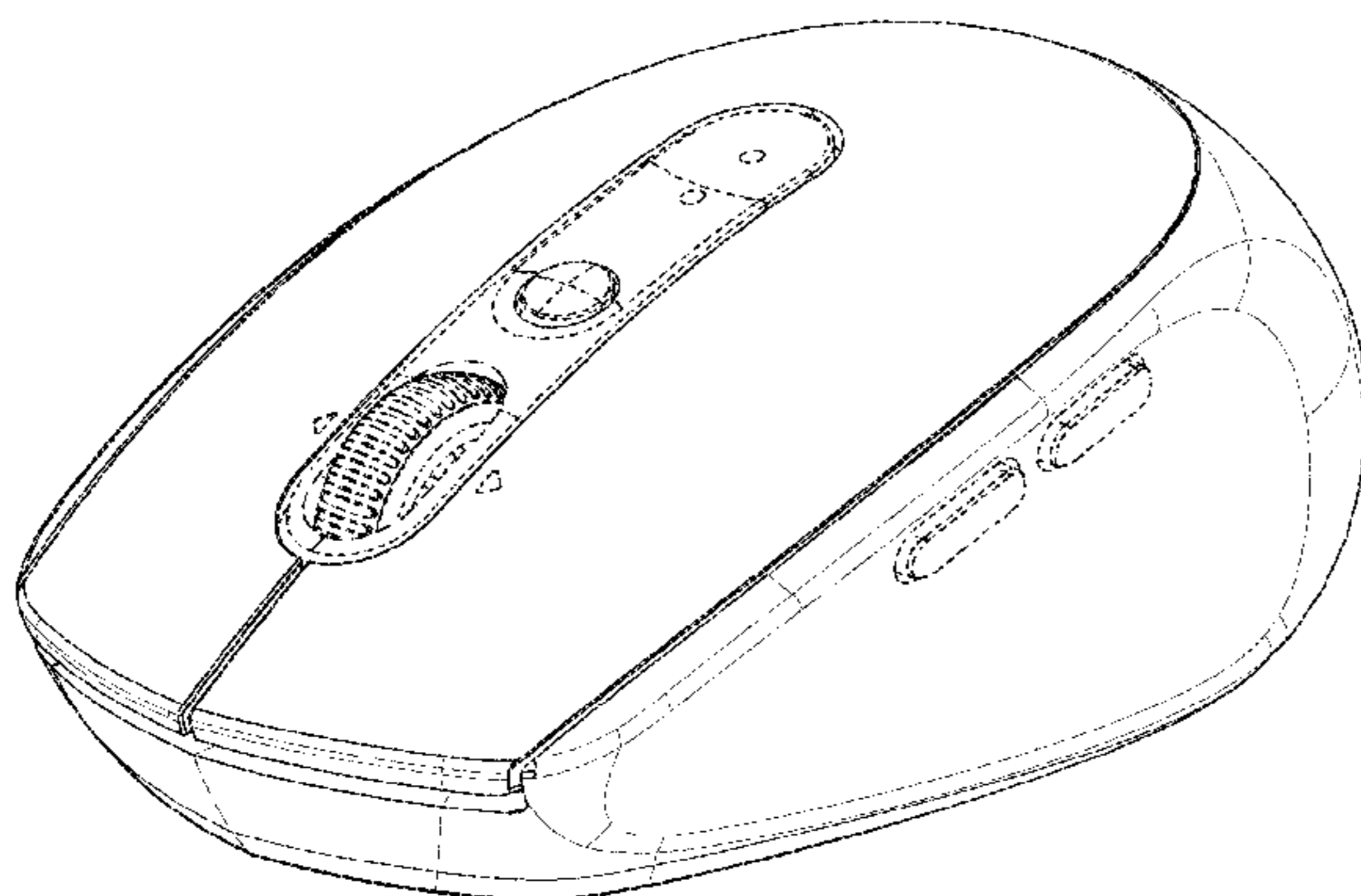
(57) **CLAIM**

The ornamental design for input device, as shown and described.

DESCRIPTION

FIG. 1 is a first perspective view of input device showing my new design;
FIG. 2 is a second perspective view thereof;
FIG. 3 is a third perspective view thereof;
FIG. 4 is a fourth perspective view thereof;
FIG. 5 is a fifth perspective view thereof;
FIG. 6 is a top plan view thereof;
FIG. 7 is a bottom plan view thereof;
FIG. 8 is a front elevational view thereof;
FIG. 9 is a back elevational view thereof;
FIG. 10 is a left side elevational view thereof; and,
FIG. 11 is a right side elevational view thereof.
The broken lines shown in the drawings form no part of the claimed design.

1 Claim, 11 Drawing Sheets



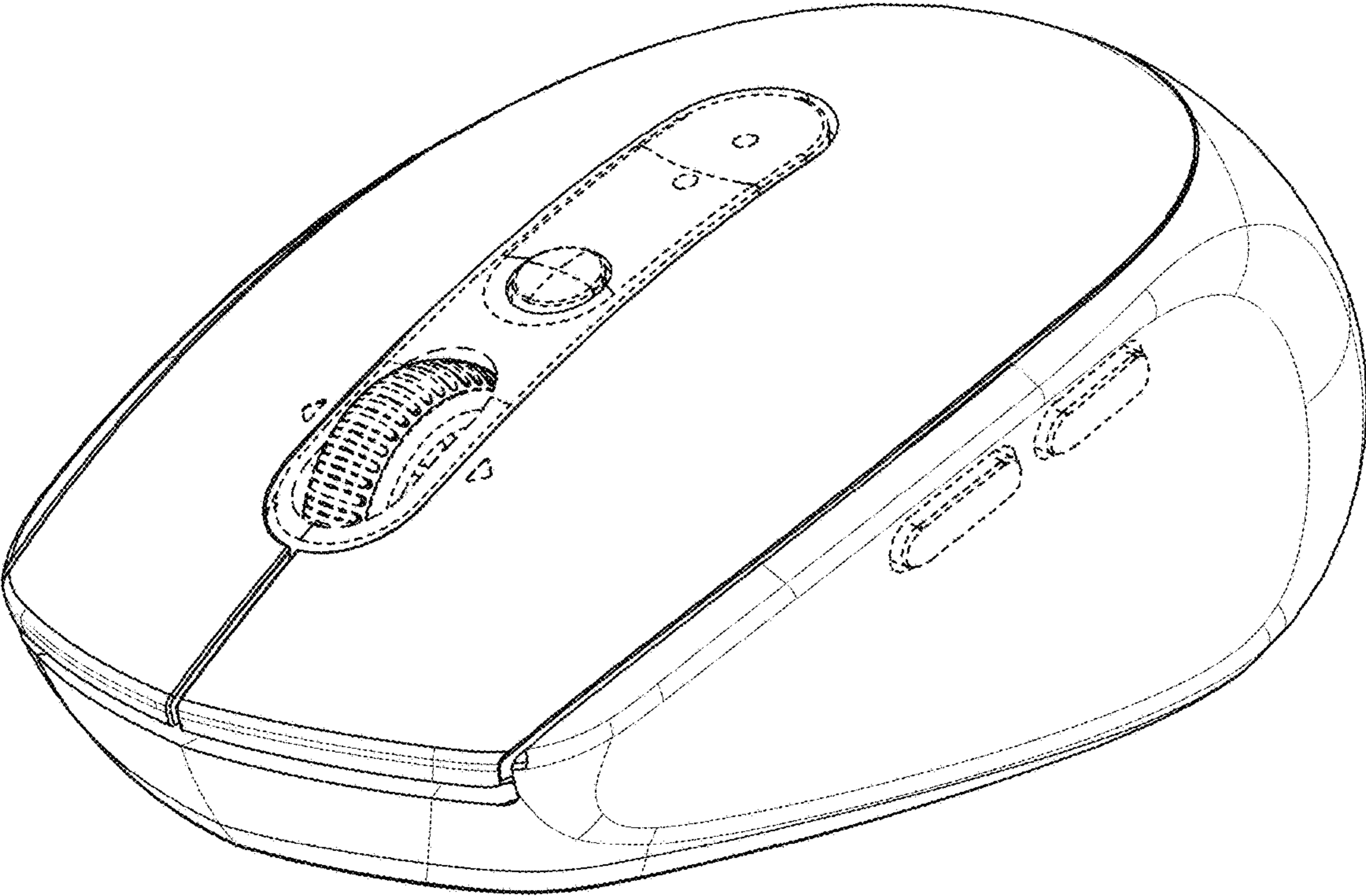


FIG. 1

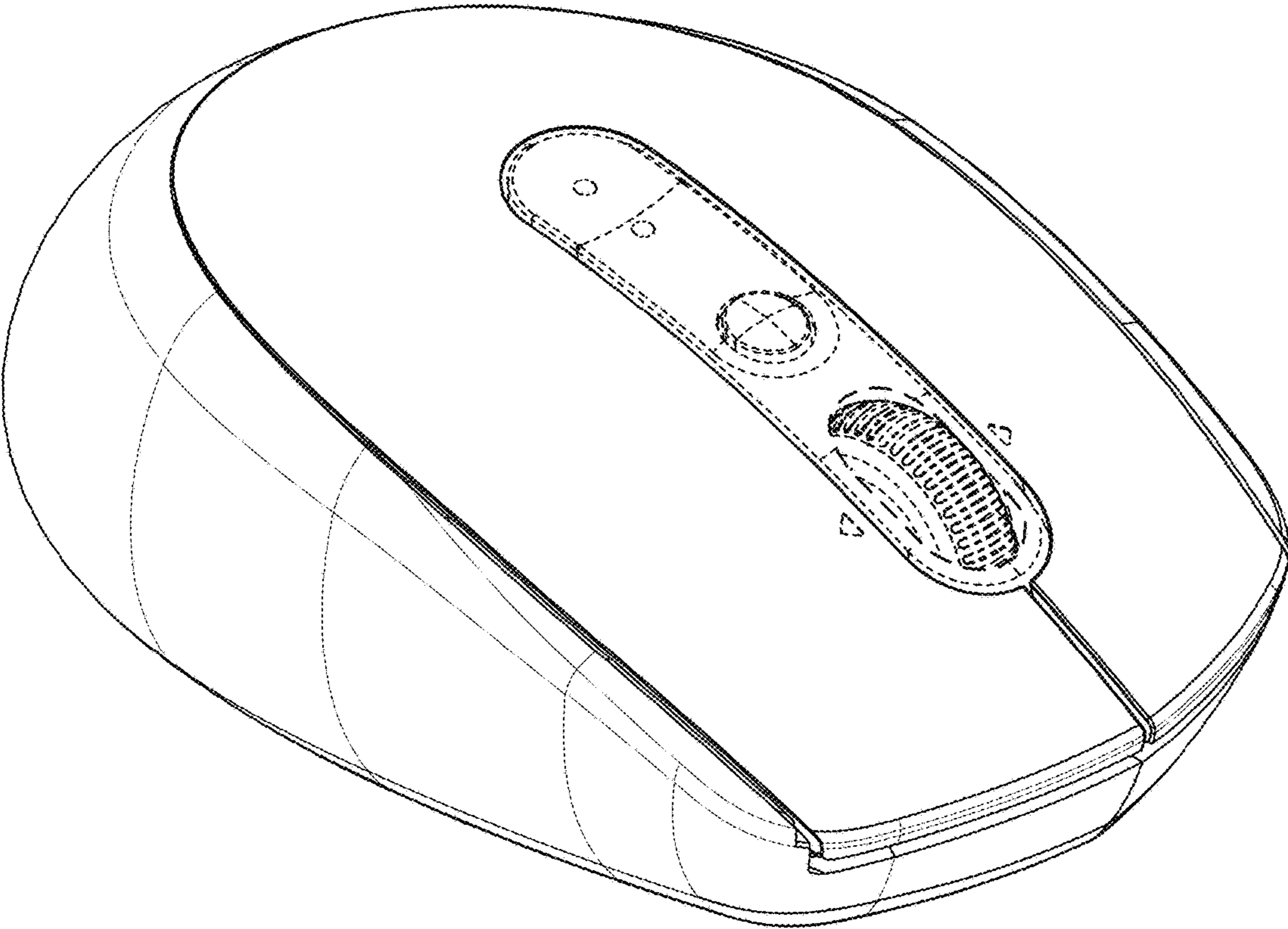


FIG. 2

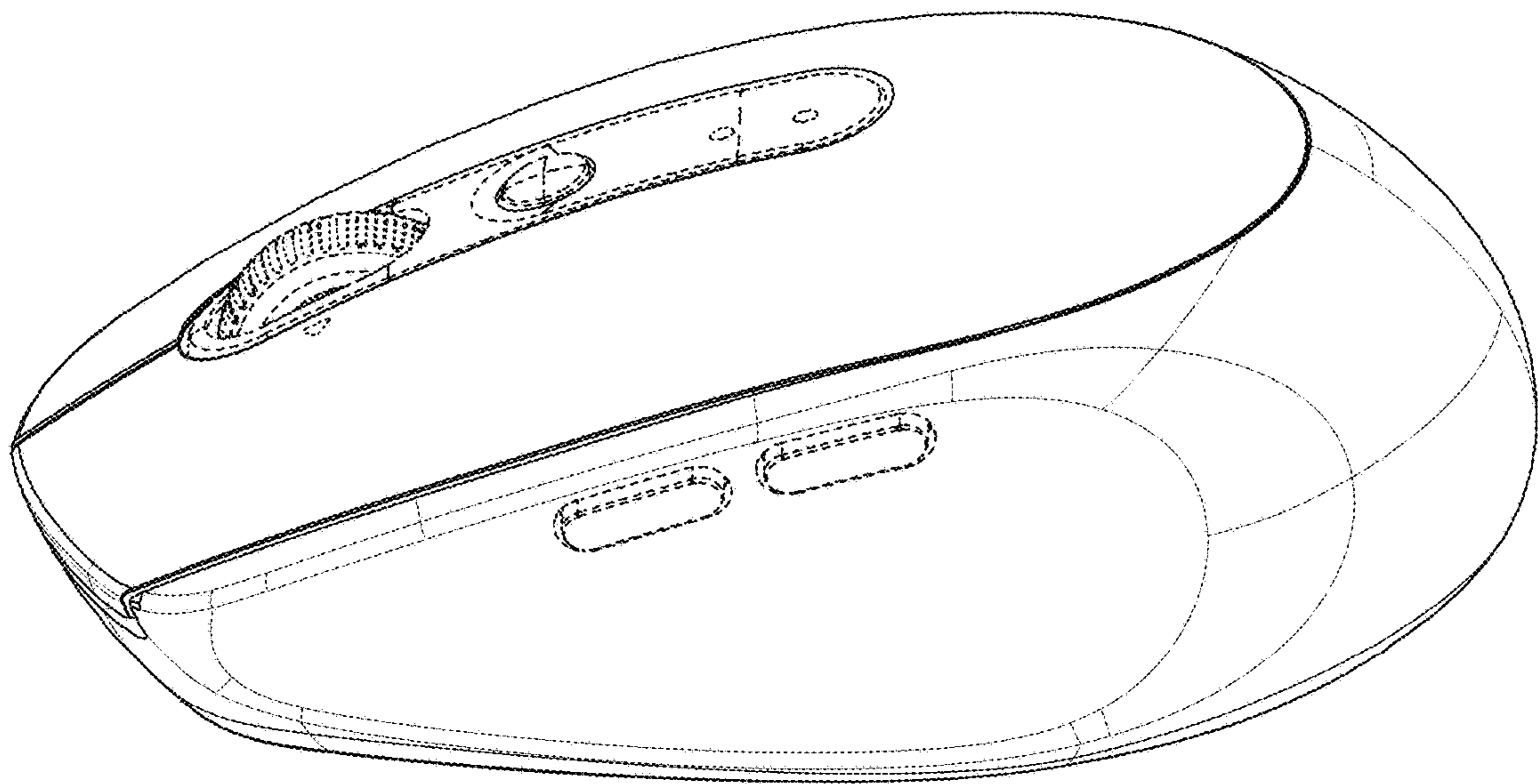


FIG. 3

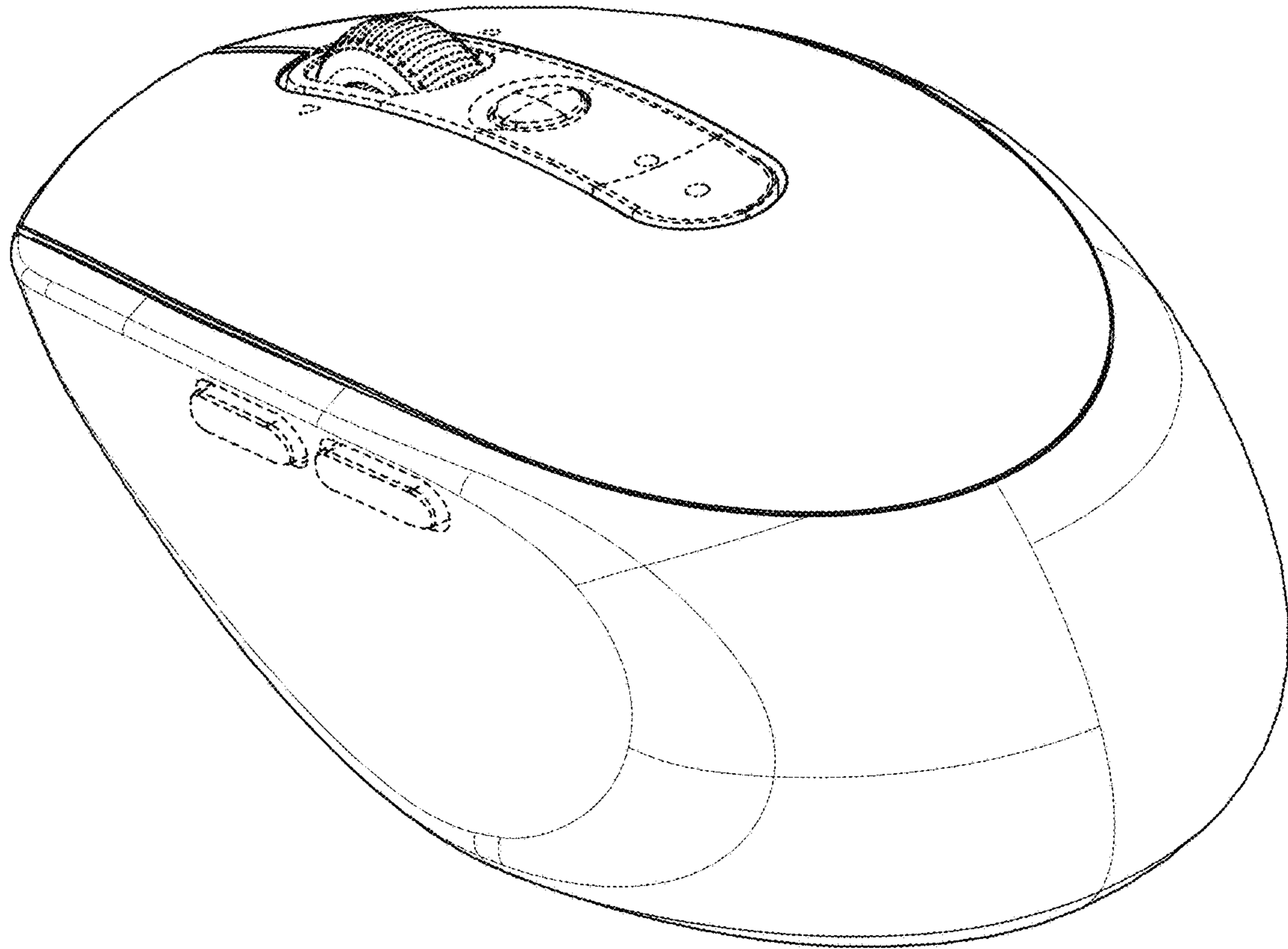


FIG. 4

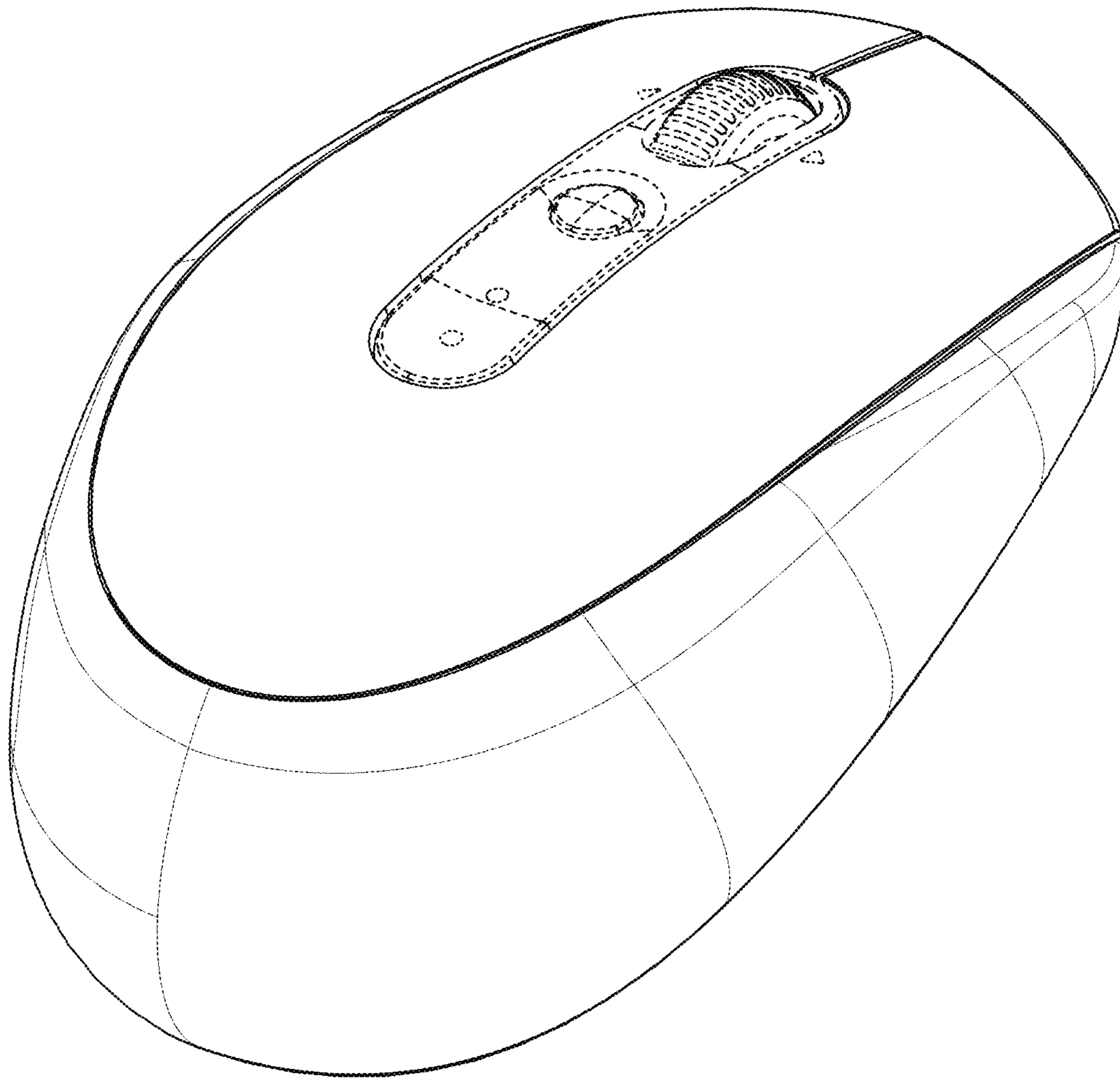


FIG. 5

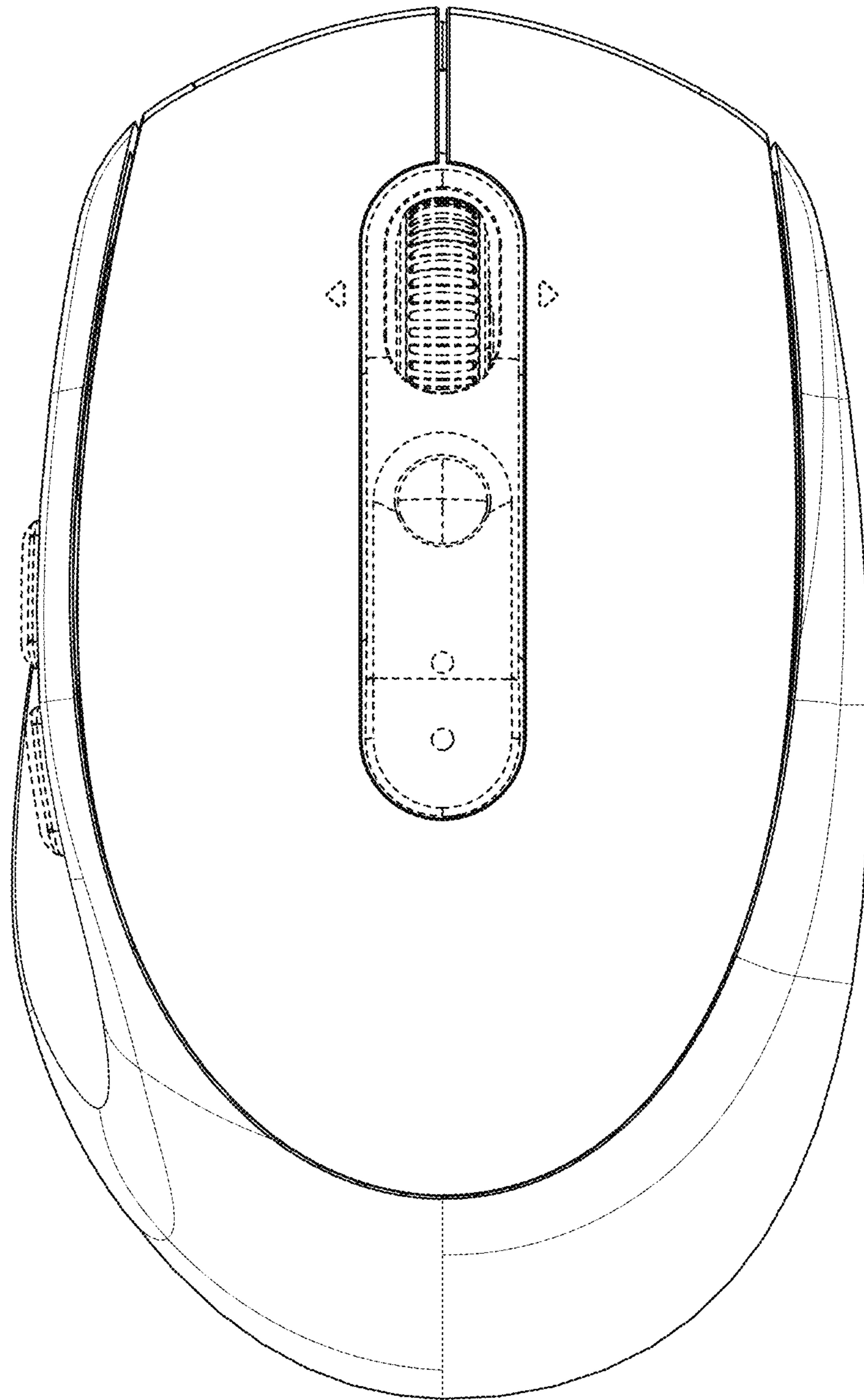


FIG. 6

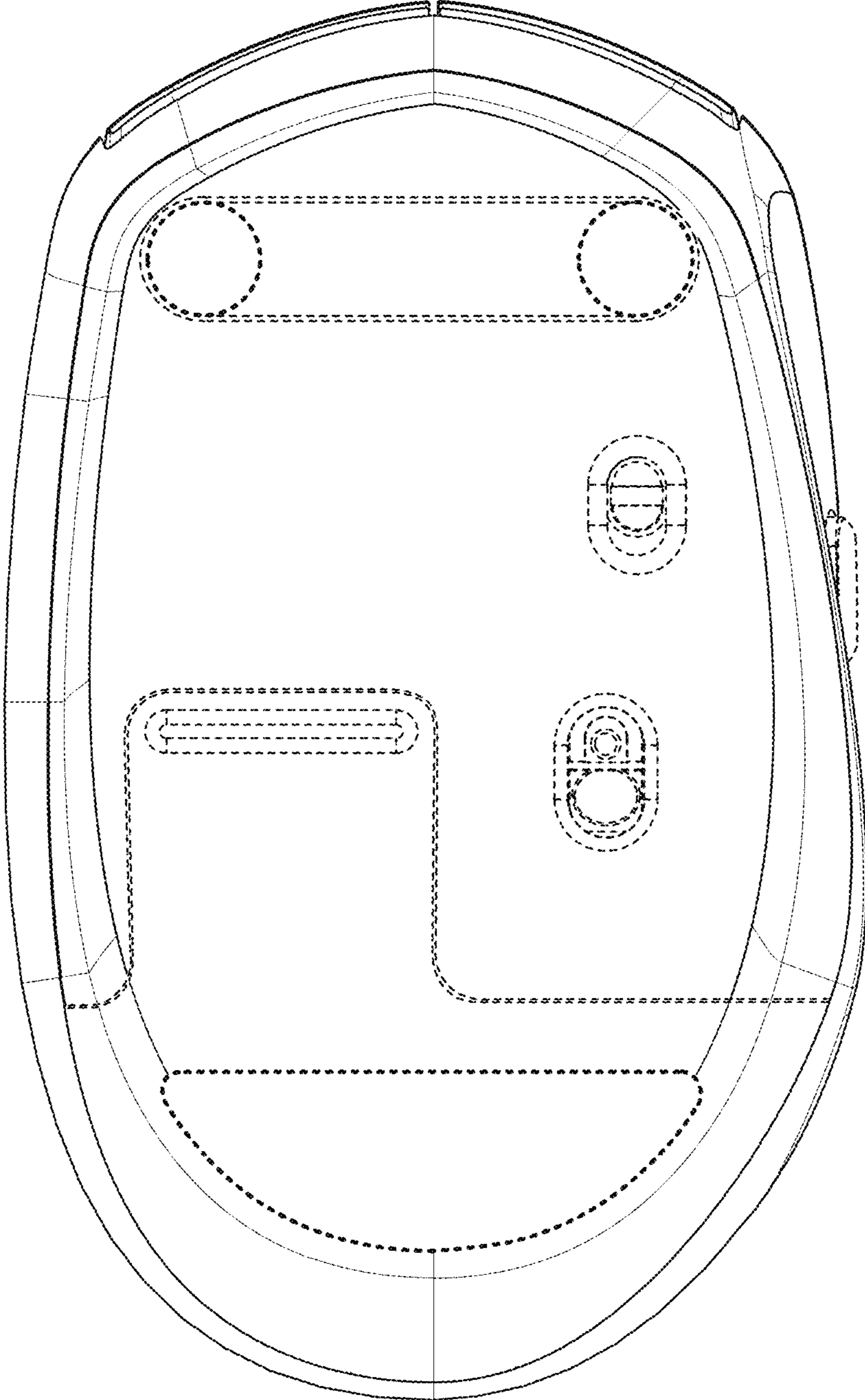


FIG. 7

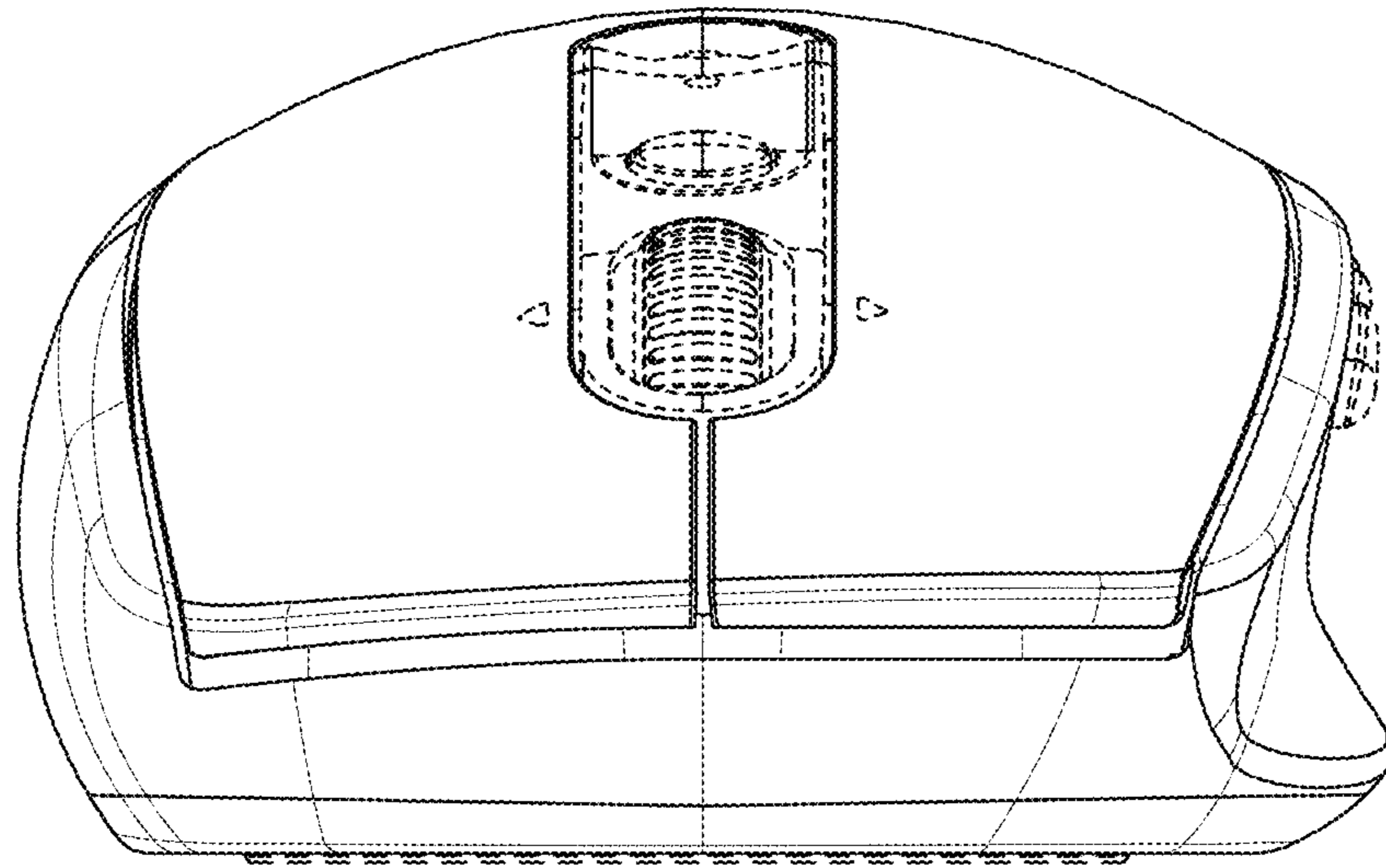


FIG. 8

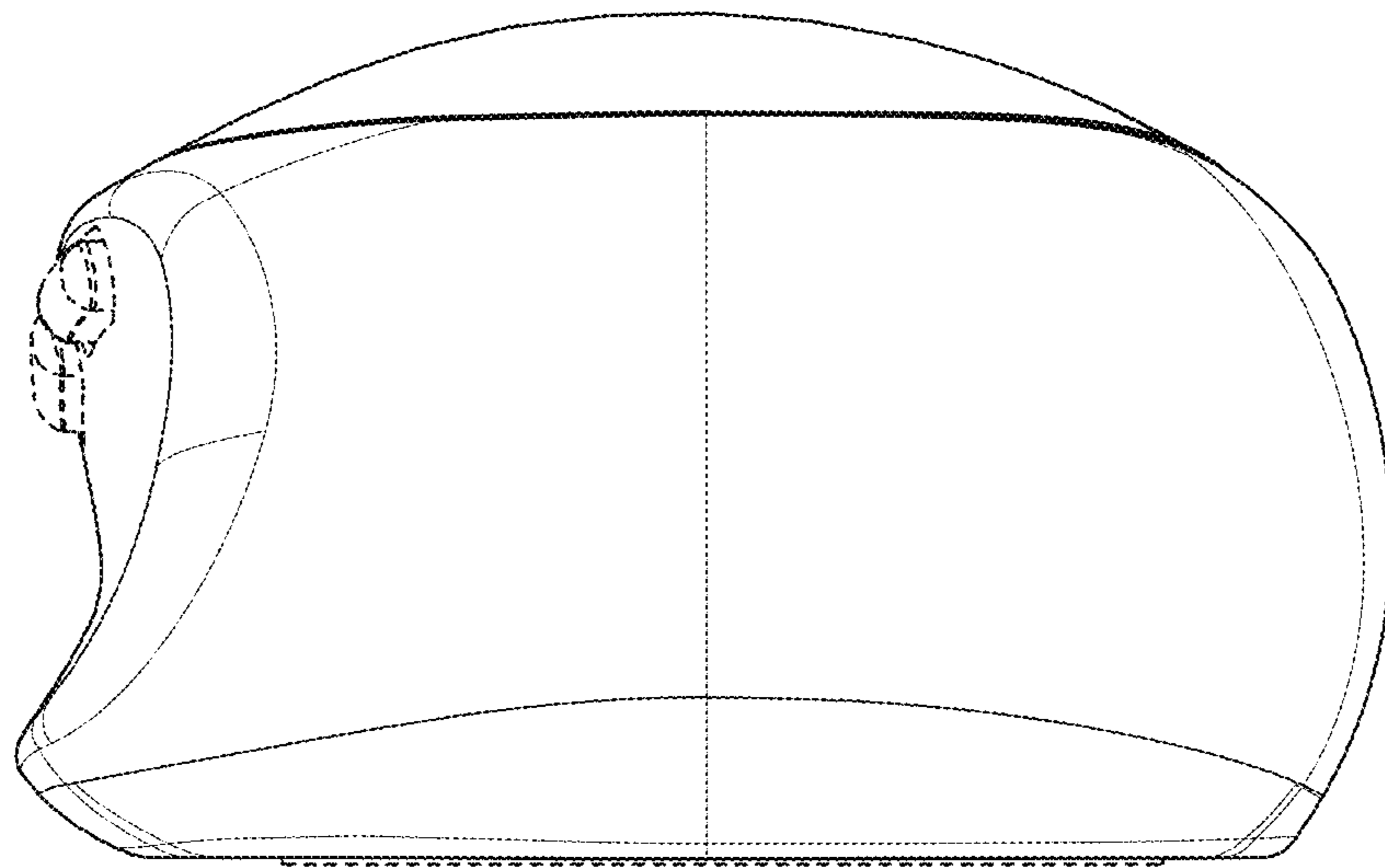


FIG. 9

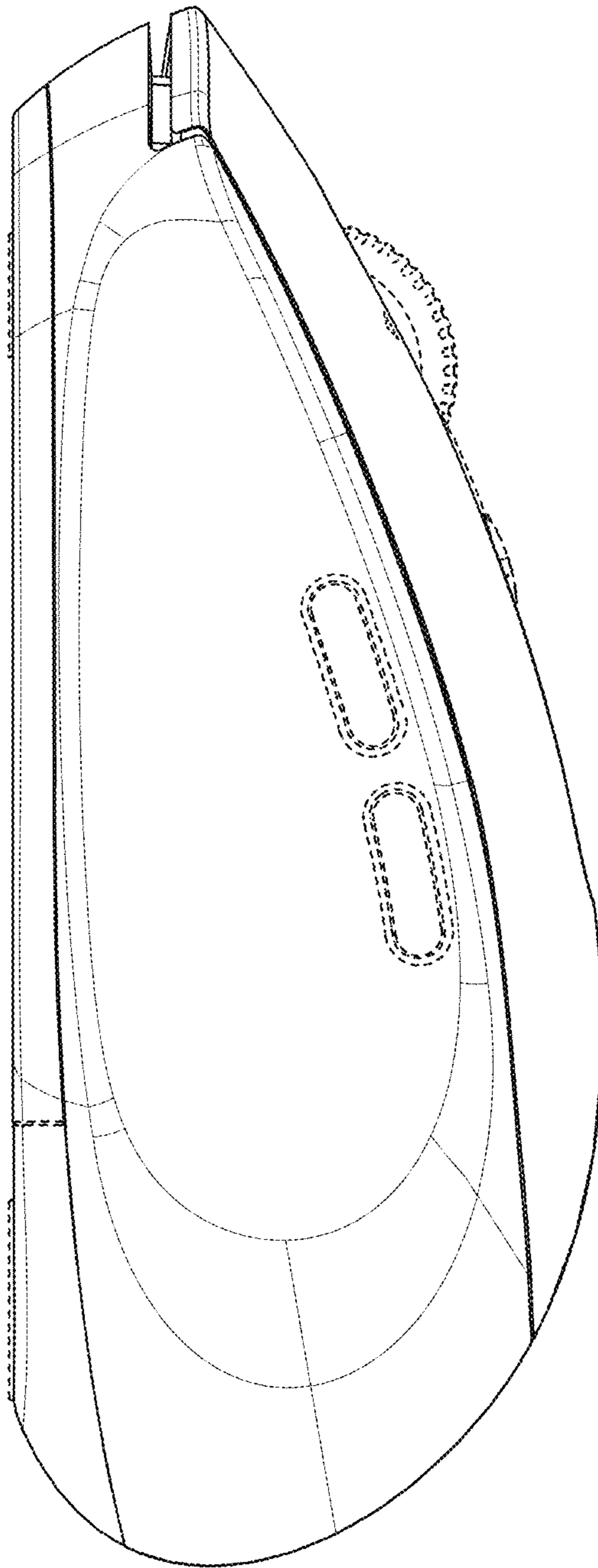


FIG. 10

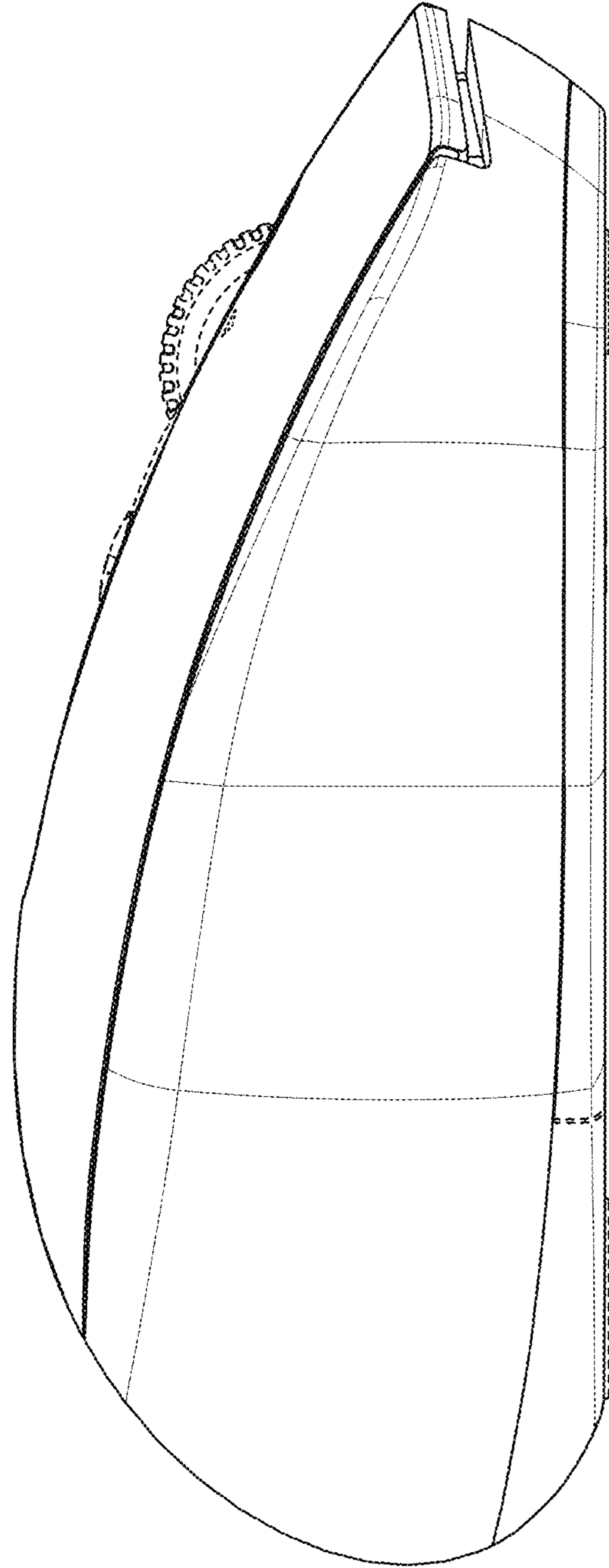


FIG. 11