



US00D82550S

(12) **United States Design Patent**
Wang

(10) **Patent No.:** **US D825,550 S**

(45) **Date of Patent:** **** Aug. 14, 2018**

(54) **MULTI-PURPOSE MOBILE PHONE SUPPORT**

(71) Applicant: **SHENZHEN YONGFENGWANG TECHNOLOGY LIMITED**, Shenzhen (CN)

(72) Inventor: **Hongbin Wang**, Shenzhen (CN)

(73) Assignee: **SHENZHEN YONGFENGWANG TECHNOLOGY LIMITED**, Shenzhen (CN)

(**) Term: **15 Years**

(21) Appl. No.: **29/631,031**

(22) Filed: **Dec. 27, 2017**

(51) **LOC (11) Cl.** **14-03**

(52) **U.S. Cl.**
USPC **D14/253**

(58) **Field of Classification Search**
USPC D14/253, 251, 252, 447, 451, 452, 440, D14/434, 458, 432, 439, 457, 460, 238.1, D14/140, 142, 149, 217, 148, 140.8, D14/140.11, 209.1, 151, 140.9; D13/107, D13/108
CPC B60R 2011/0008; B60R 11/02; B60R 11/0241; B60R 11/0258; B60R 11/0252; B60R 2011/0294; F16M 11/00; F16M 11/04; F16M 11/041; F16M 11/02; F16M 11/06; H04M 1/02; A47F 7/022; B62J 11/00

See application file for complete search history.

(56) **References Cited**

U.S. PATENT DOCUMENTS

D210,634 S * 3/1968 Newton D19/87
D571,360 S 6/2008 Andre et al.
D593,988 S * 6/2009 Liu D14/149
D640,247 S * 6/2011 Baumann D14/253

D664,141 S * 7/2012 Haymond D14/253
D688,235 S * 8/2013 Song D14/253
D711,868 S * 8/2014 Urzua D14/253
D718,742 S 12/2014 Warner
D750,089 S 2/2016 Langhein
D765,648 S * 9/2016 Starkenburg D12/415
D771,615 S 11/2016 Pignotti
D771,616 S 11/2016 Bo
D772,218 S 11/2016 Alesi et al.

(Continued)

FOREIGN PATENT DOCUMENTS

CN 304345159 S 11/2017
CN 304578379 S 4/2018

(Continued)

Primary Examiner — Janice Hallmark

(74) *Attorney, Agent, or Firm* — Hemisphere Law, PLLC; Zhigang Ma

(57) **CLAIM**

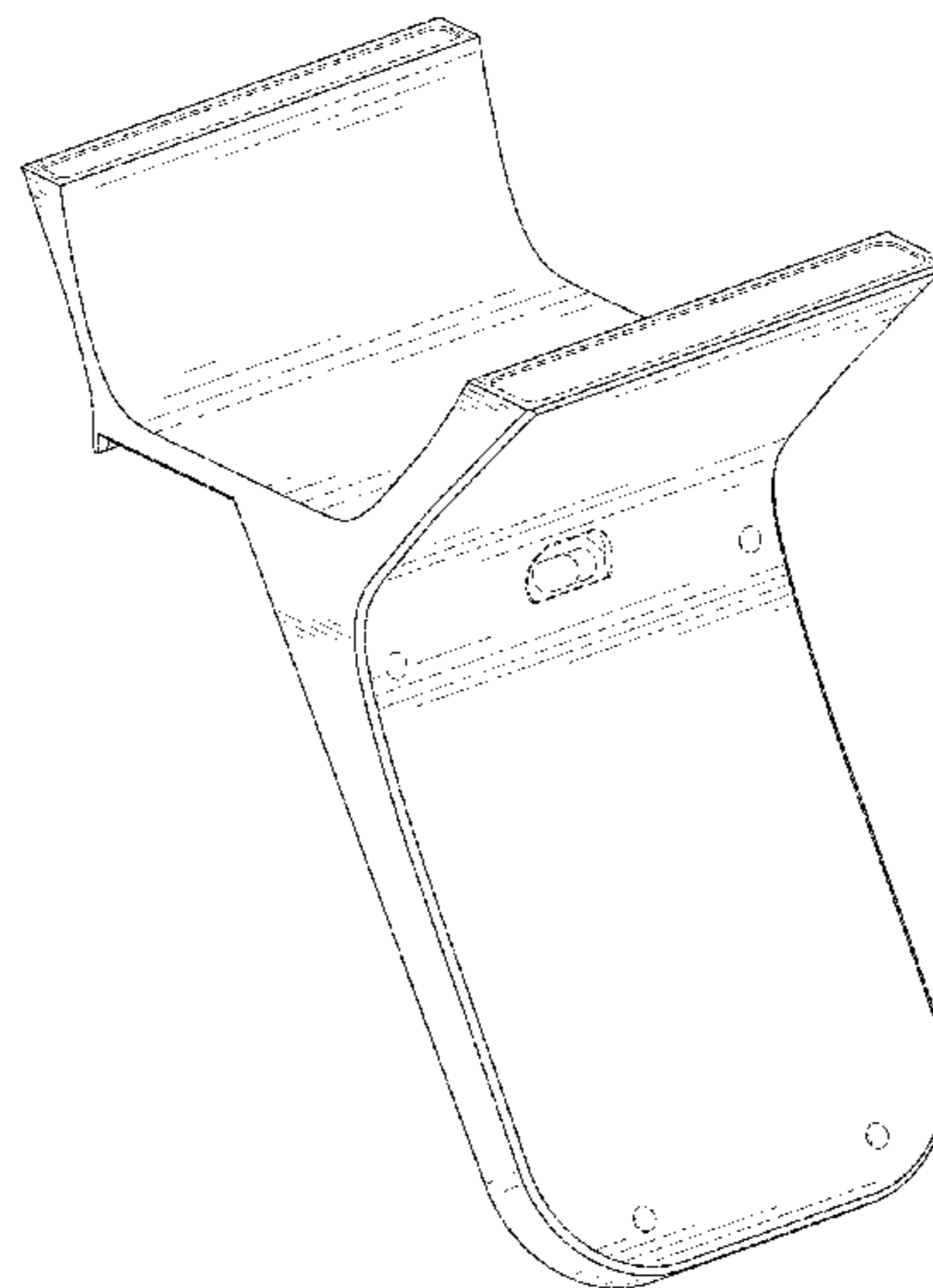
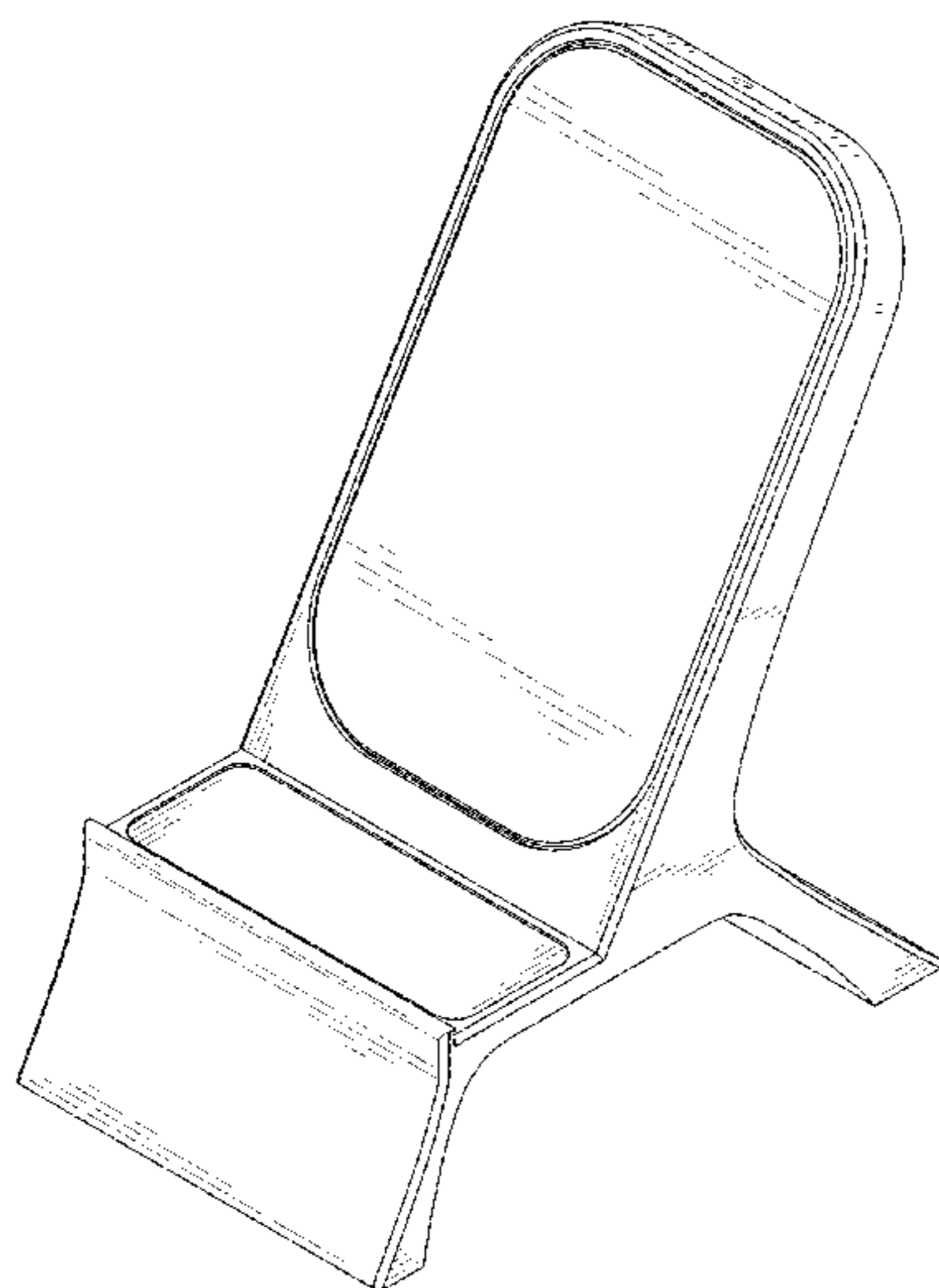
The ornamental design for a multi-purpose mobile phone support, as shown and described.

DESCRIPTION

FIG. 1 is a front elevational view of a multi-purpose mobile phone support showing my new design;
FIG. 2 is a bottom perspective view seen from a bottom side thereof.
FIG. 3 is a front elevational view thereof;
FIG. 4 is a rear elevational view thereof;
FIG. 5 is a left side elevational view thereof;
FIG. 6 is a right side elevational view thereof;
FIG. 7 is a top plan view thereof; and,
FIG. 8 is a bottom plan view thereof.

The broken lines immediately adjacent to the claim as shown in the drawings represent the boundaries of the claimed design, while all other broken lines are directed to environment and are for illustrative purpose only; the broken lines form no part of the claimed design.

1 Claim, 8 Drawing Sheets



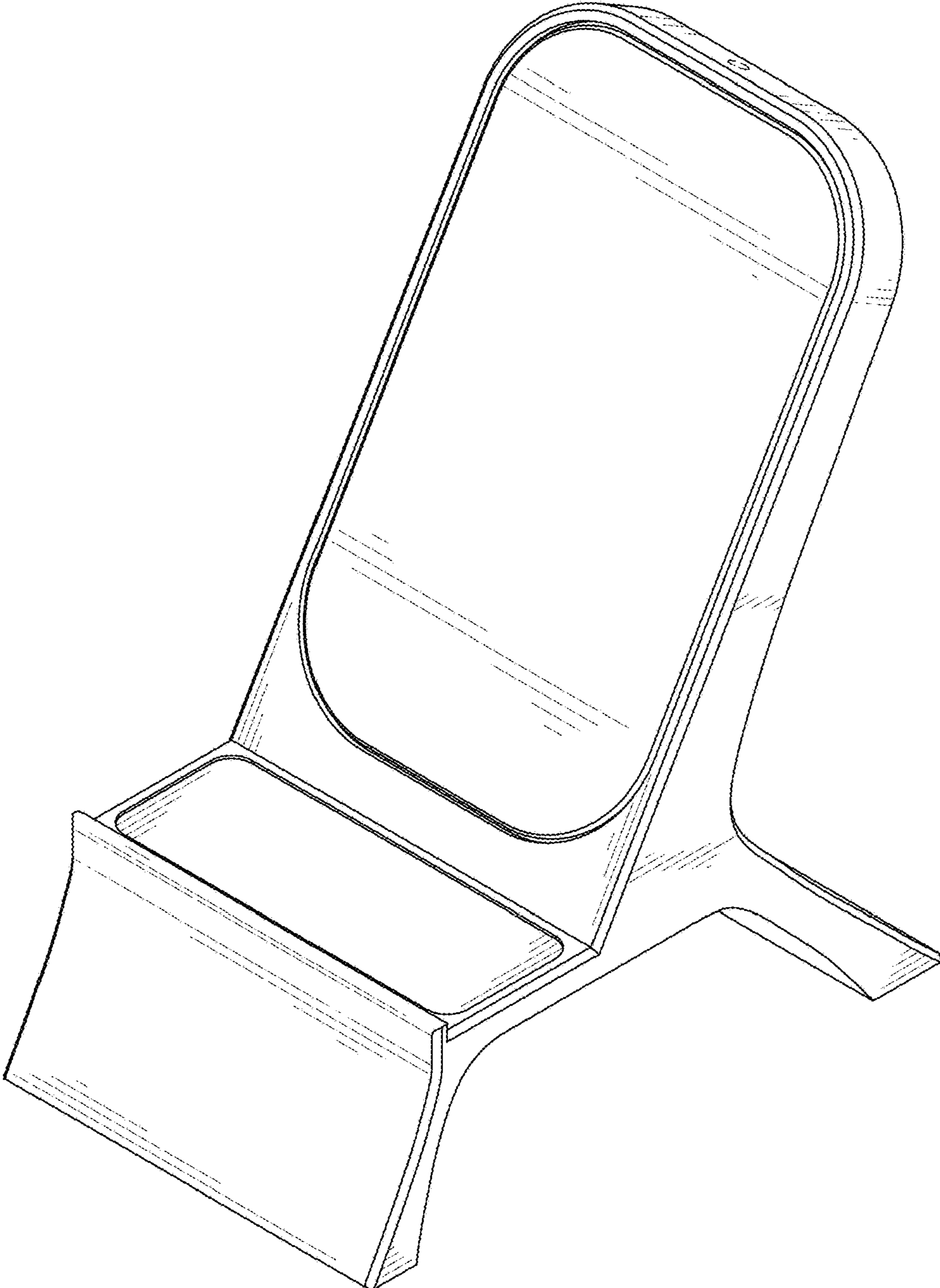


FIG. 1

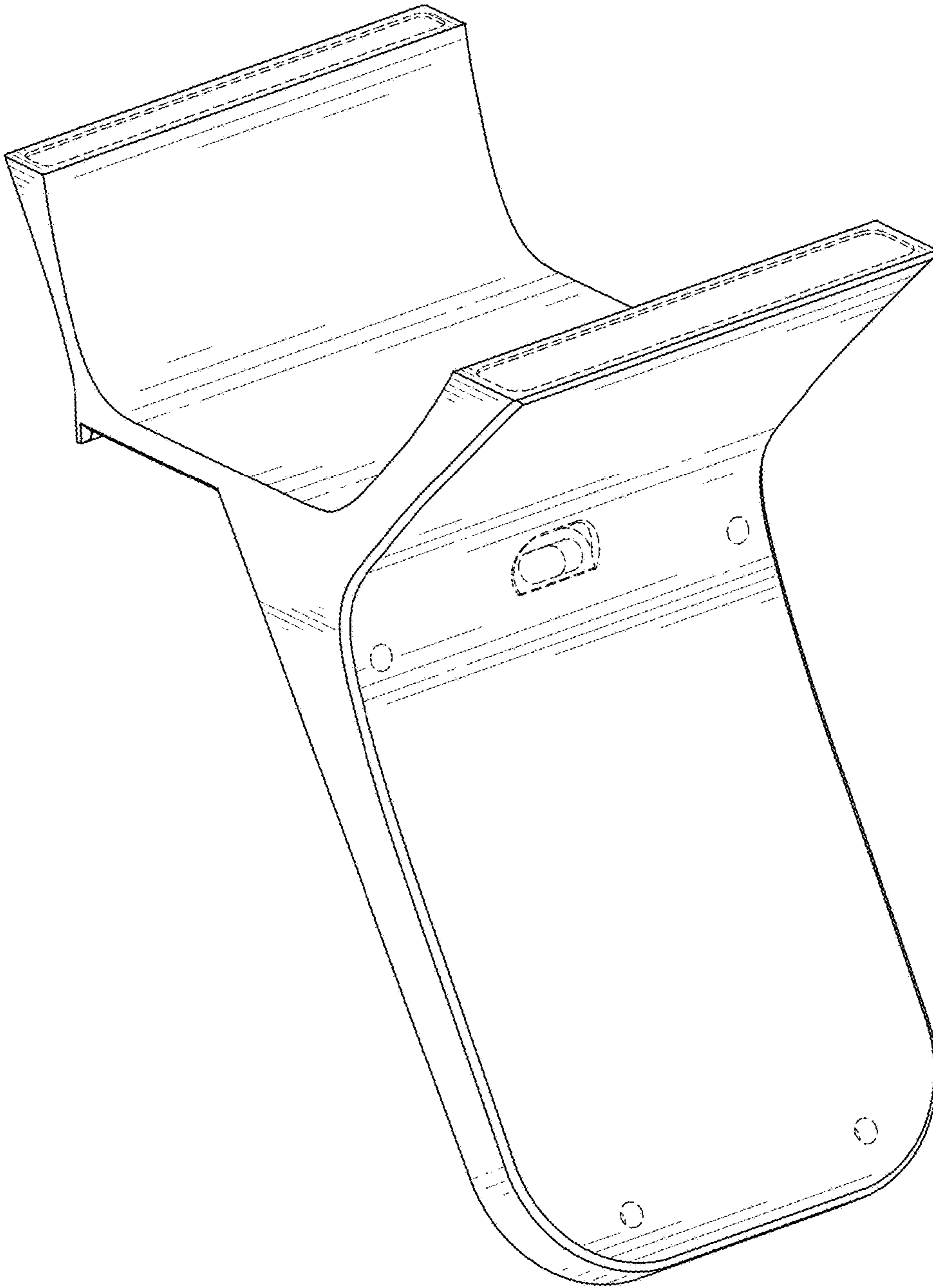


FIG. 2

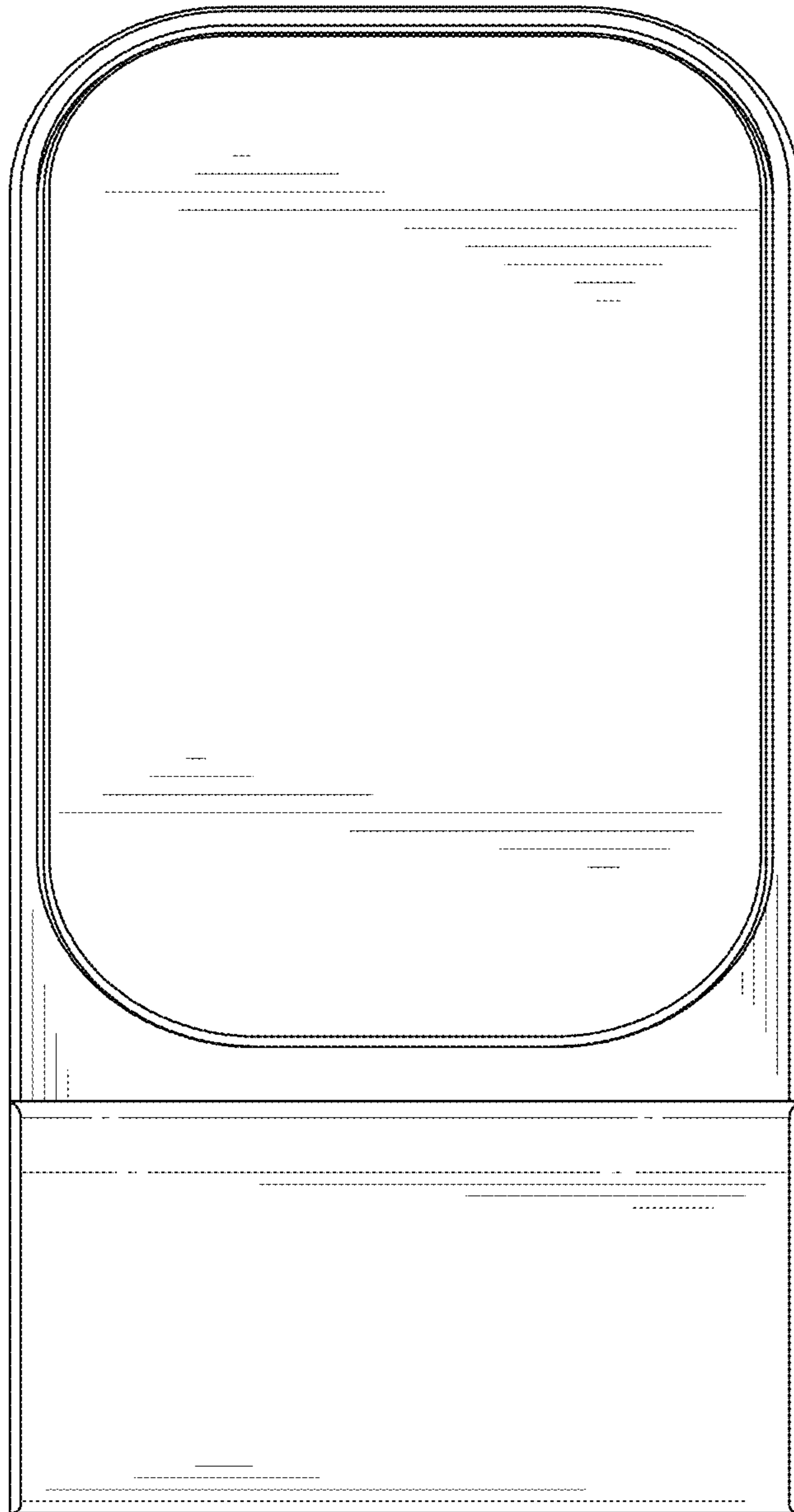


FIG. 3

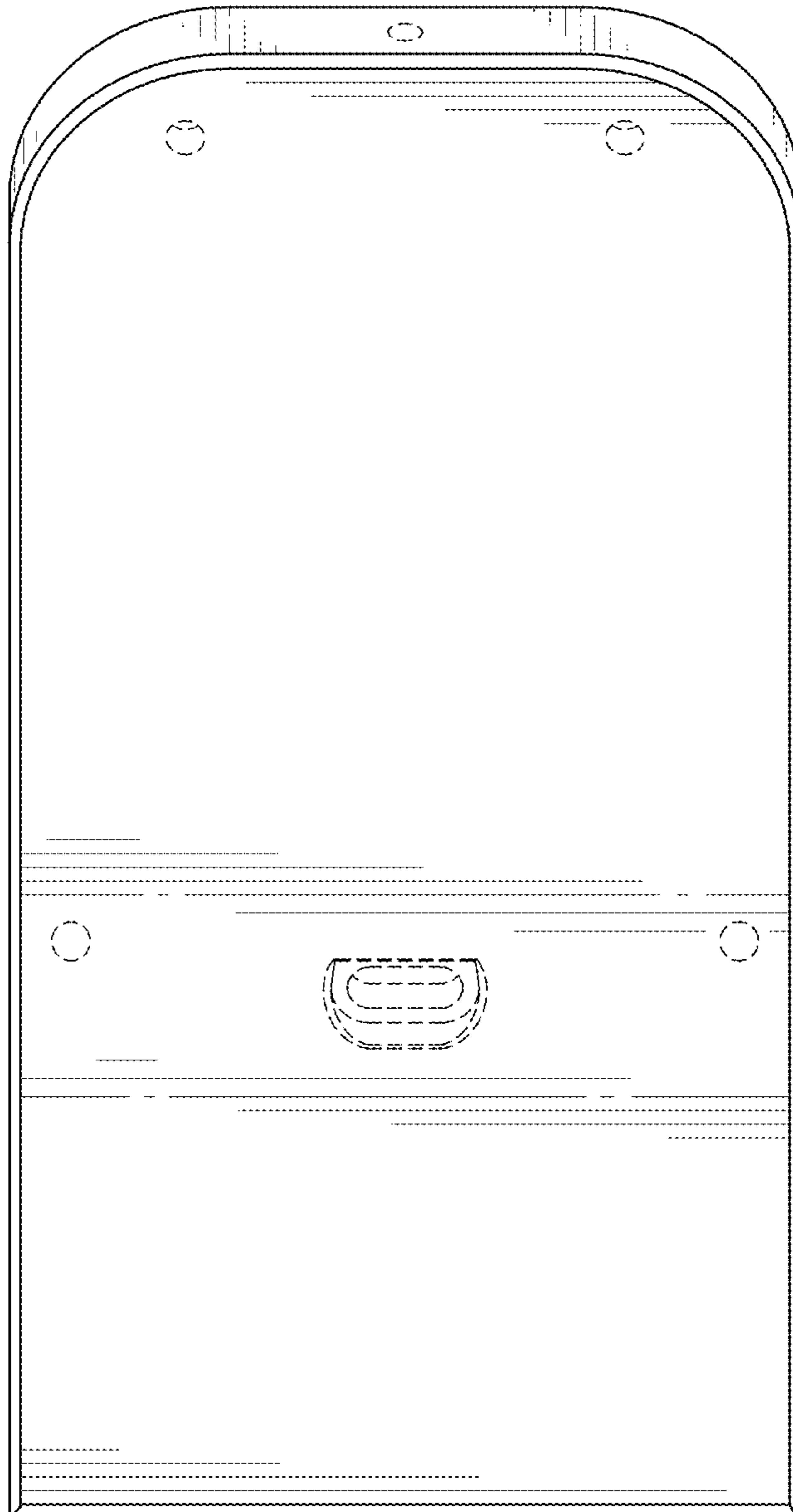


FIG. 4

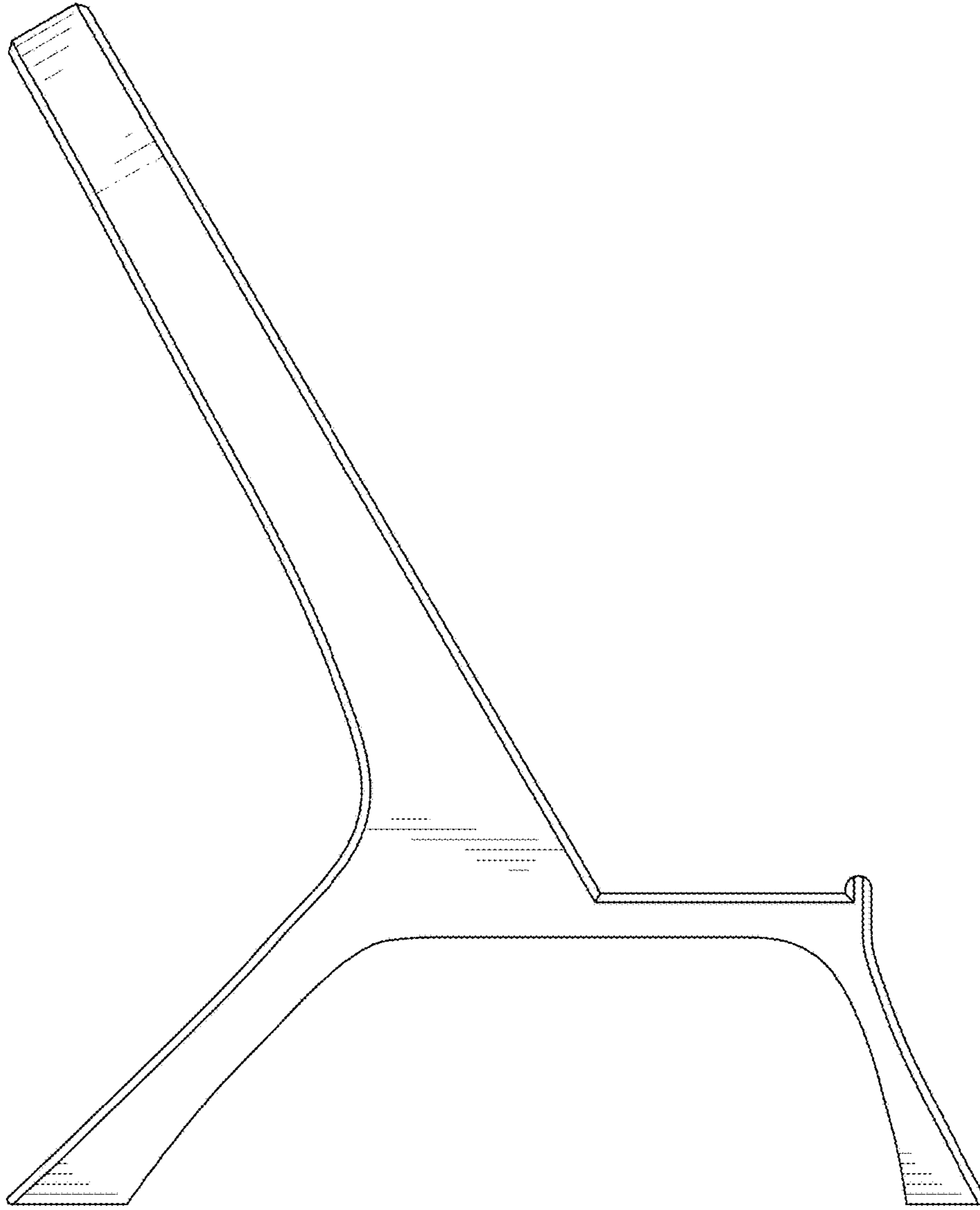


FIG. 5

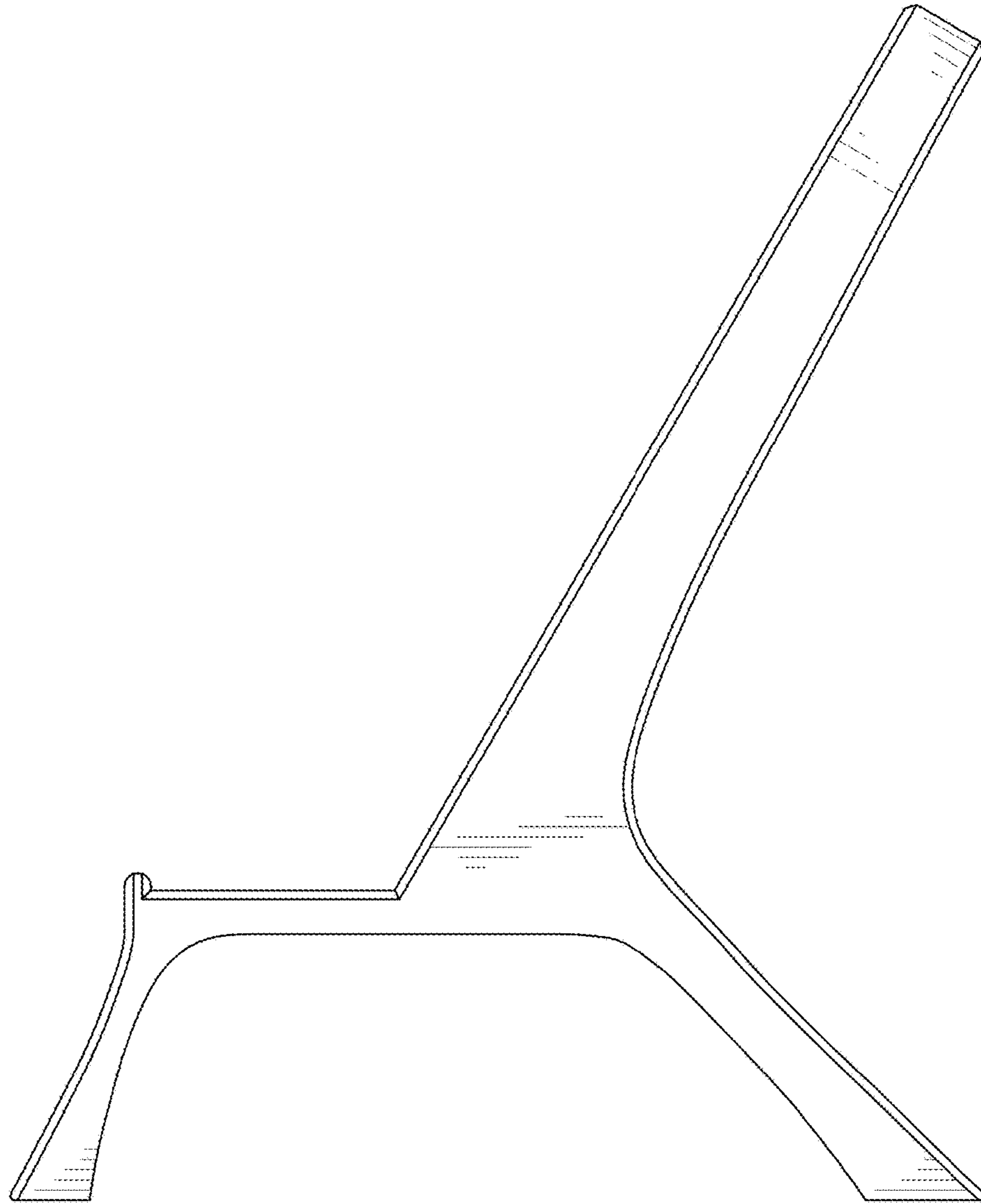


FIG. 6

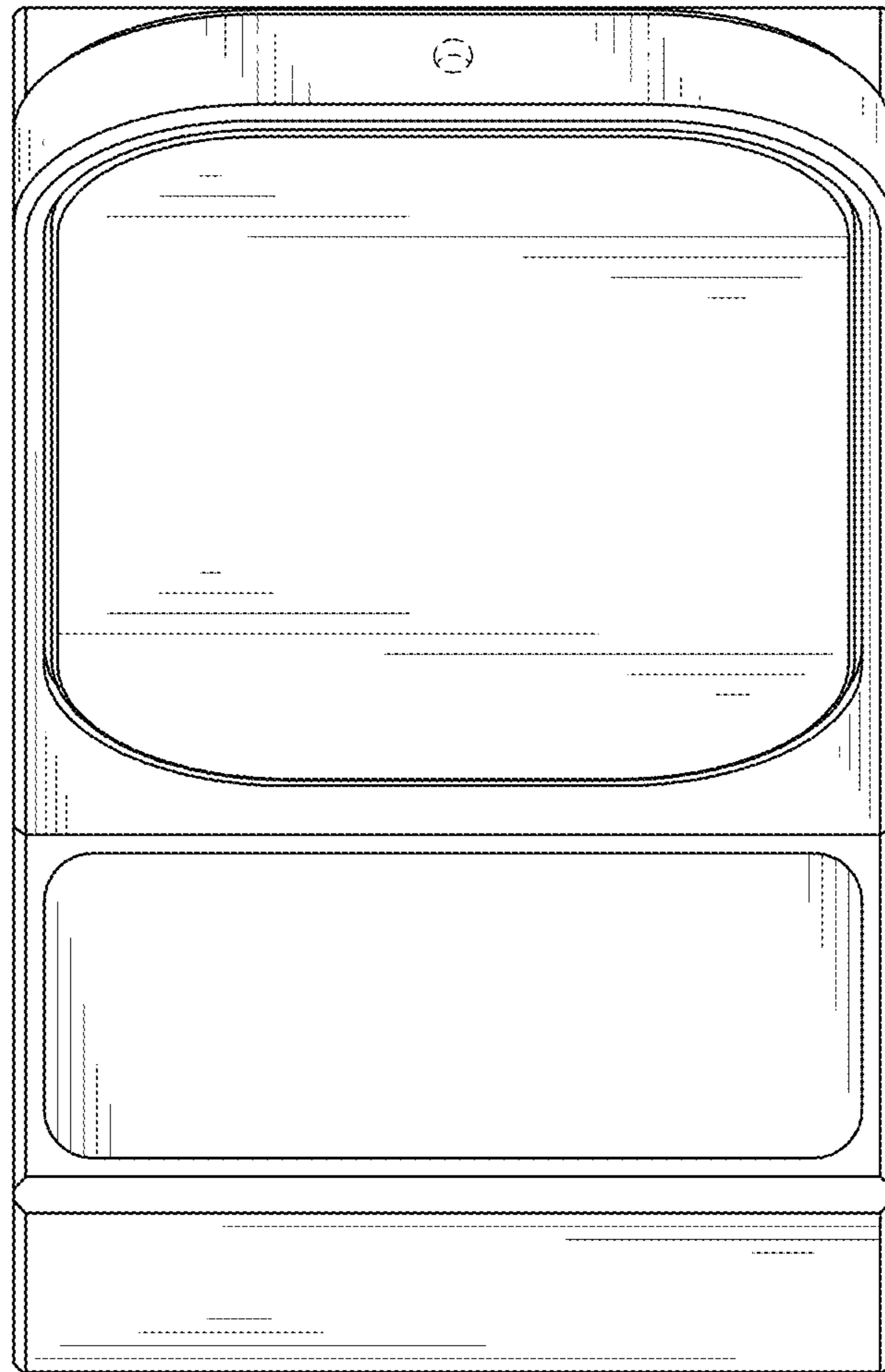


FIG. 7

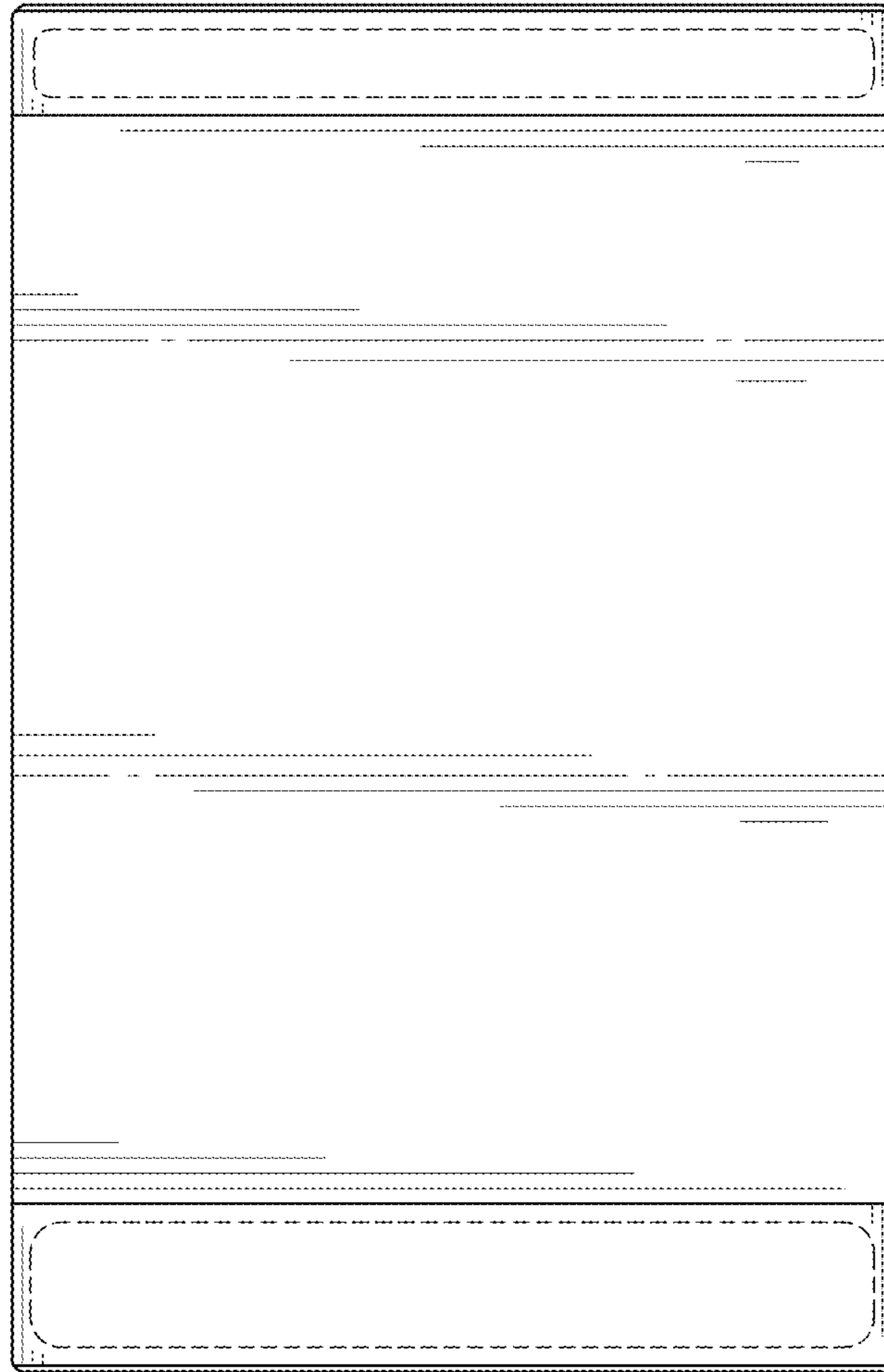


FIG. 8