



US00D825548S

(12) **United States Design Patent**  
**Lebovitz**

(10) **Patent No.:** **US D825,548 S**

(45) **Date of Patent:** **\*\* Aug. 14, 2018**

(54) **SMART PHONE MAGNETIC CAR MOUNT**

(71) Applicant: **Yona Lebovitz**, Monroe, NY (US)

(72) Inventor: **Yona Lebovitz**, Monroe, NY (US)

(\*\*) Term: **15 Years**

(21) Appl. No.: **29/594,954**

(22) Filed: **Feb. 23, 2017**

**Related U.S. Application Data**

(63) Continuation-in-part of application No. 29/591,287,  
filed on Jan. 18, 2017.

(51) **LOC (11) Cl.** ..... **14-03**

(52) **U.S. Cl.**  
USPC ..... **D14/253**

(58) **Field of Classification Search**  
USPC ..... D14/251, 240, 217, 447, 253; 224/558;  
248/205.3  
CPC ..... H04B 1/3888; H04M 1/0283; A45C 1/06;  
H05K 5/0204  
See application file for complete search history.

(56) **References Cited**

**U.S. PATENT DOCUMENTS**

D655,283 S \* 3/2012 Richter ..... D14/253  
D718,612 S \* 12/2014 McSweyn ..... D8/363

D749,596 S \* 2/2016 Khodapanah ..... D14/447  
D769,234 S \* 10/2016 Rami ..... D14/253  
D778,884 S \* 2/2017 Taptic ..... D14/238  
D786,877 S \* 5/2017 Christie, II ..... D14/253  
D790,960 S \* 7/2017 McSweyn ..... D12/415  
D807,339 S \* 1/2018 Lan ..... D14/253  
D811,414 S \* 2/2018 Lee ..... D14/447

\* cited by examiner

*Primary Examiner* — Cynthia R Underwood

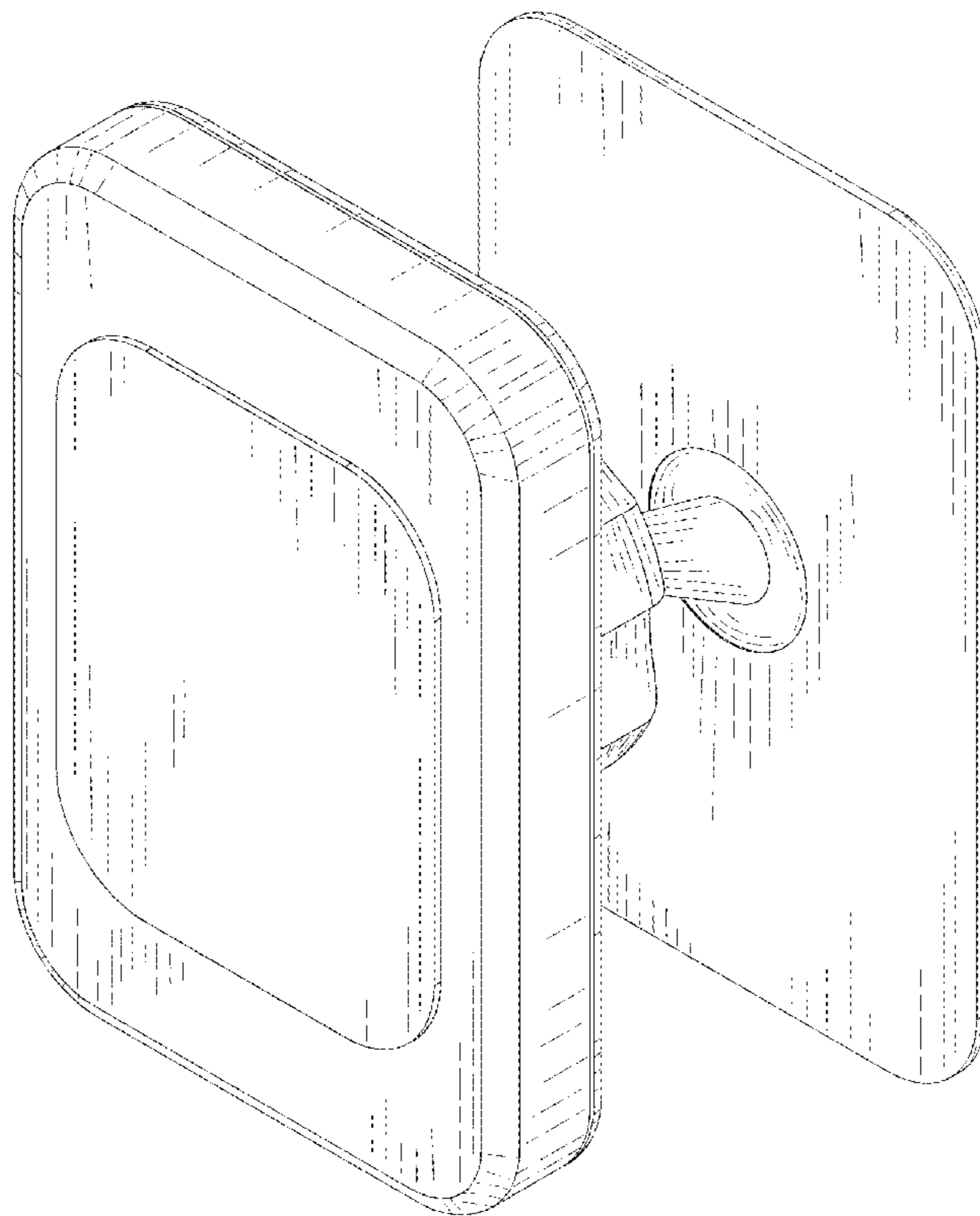
(57) **CLAIM**

The ornamental design for a smart phone magnetic car mount, as shown and described.

**DESCRIPTION**

FIG. 1 is a front perspective view of a mobile device magnetic car mount;  
FIG. 2 is a rear perspective view thereof  
FIG. 3 is a front elevational view thereof;  
FIG. 4 is a rear elevational view thereof;  
FIG. 5 is a left side elevational view thereof;  
FIG. 6 is a right side elevational view thereof;  
FIG. 7 is a top plan view thereof; and,  
FIG. 8 is a bottom plan view thereof.

**1 Claim, 8 Drawing Sheets**



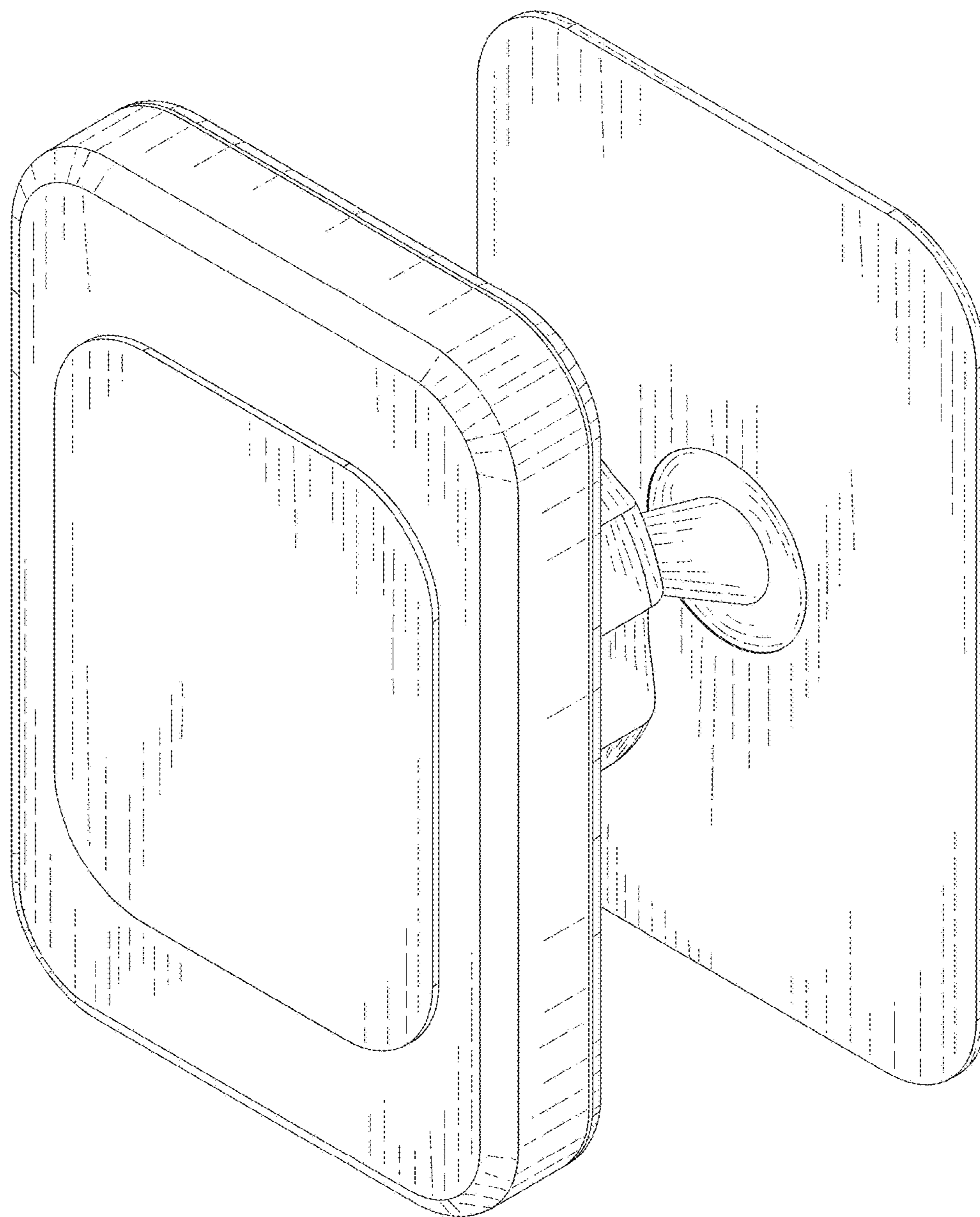


FIG. 1

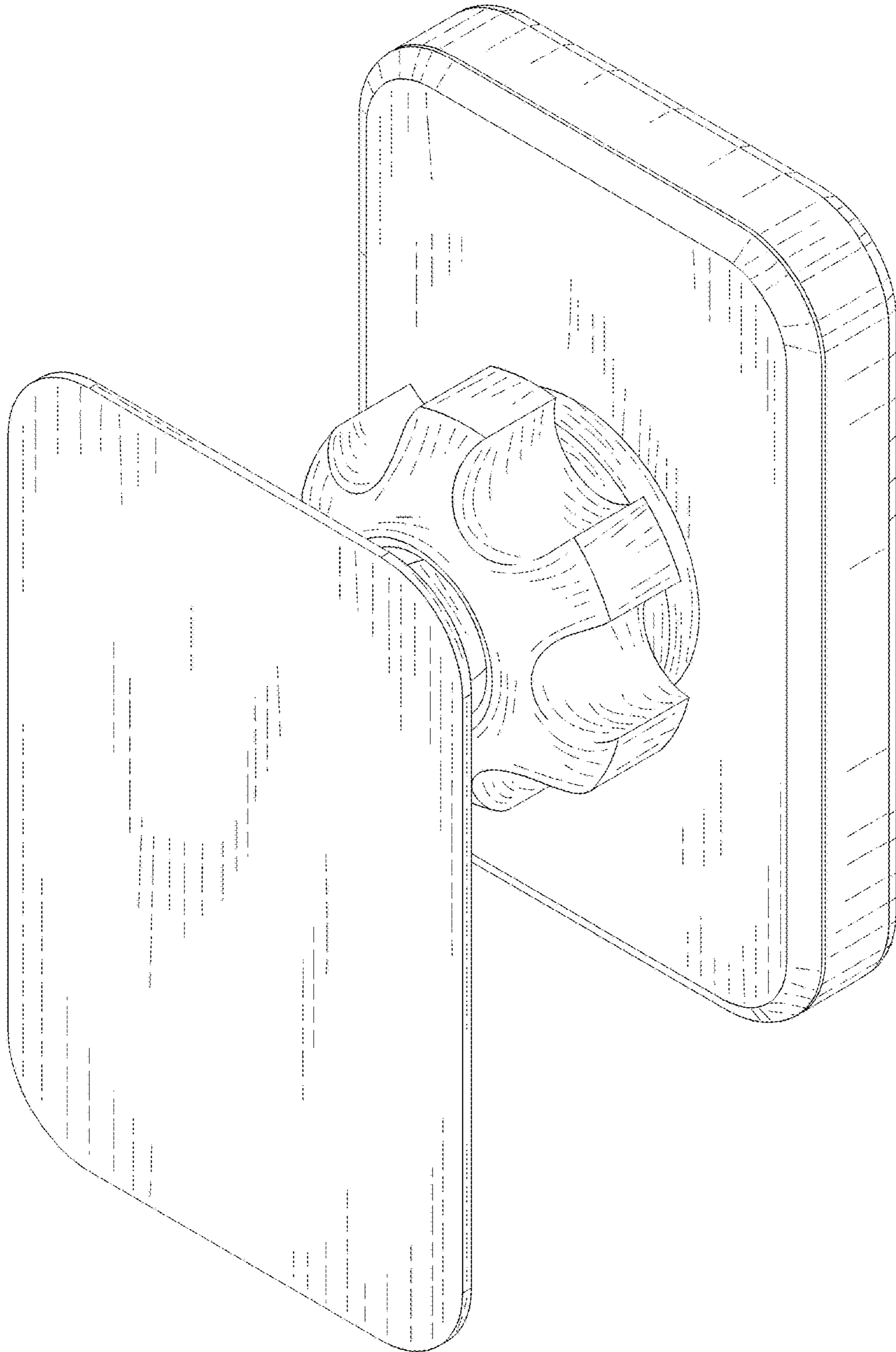


FIG. 2

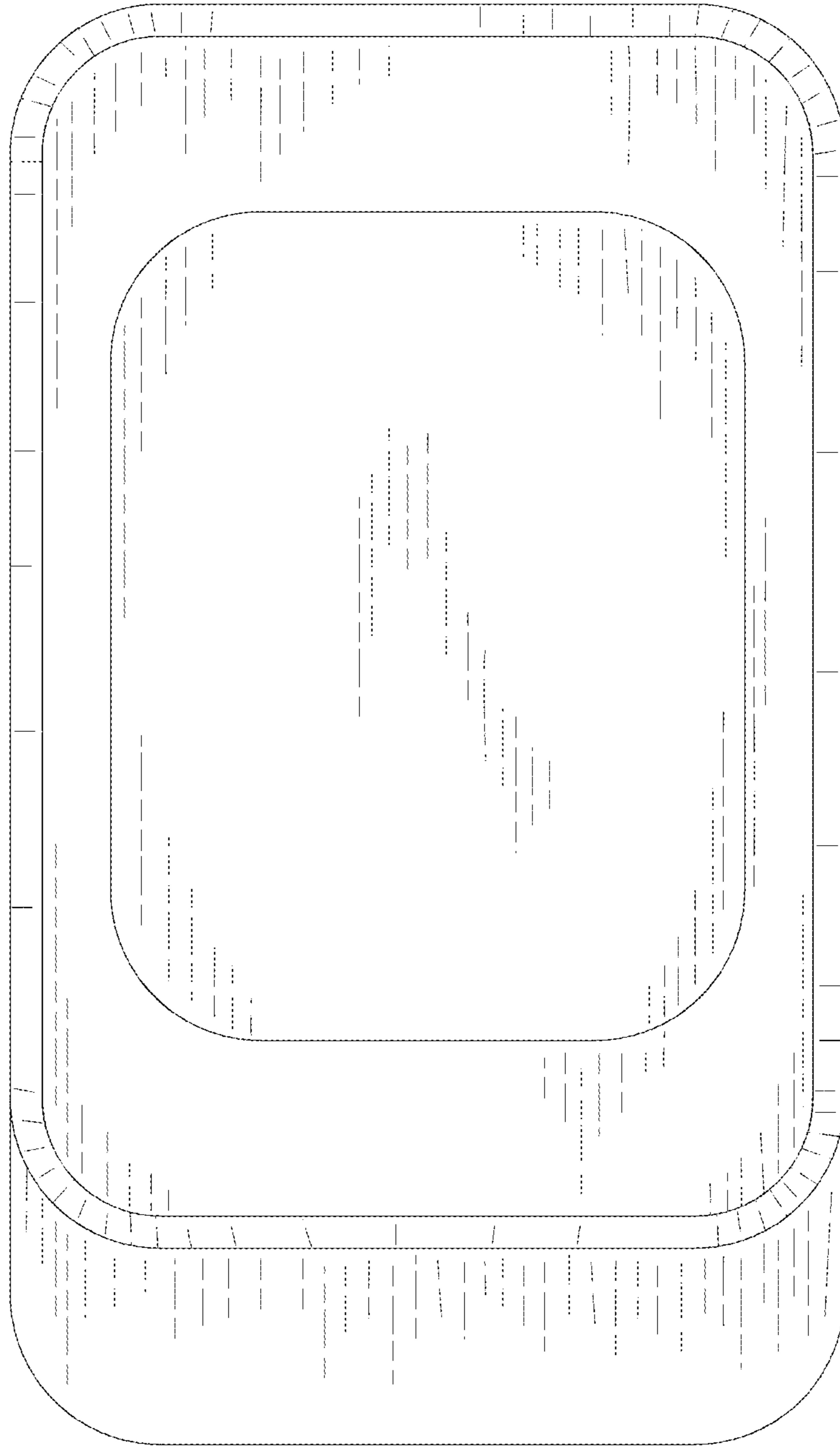


FIG. 3



FIG. 4

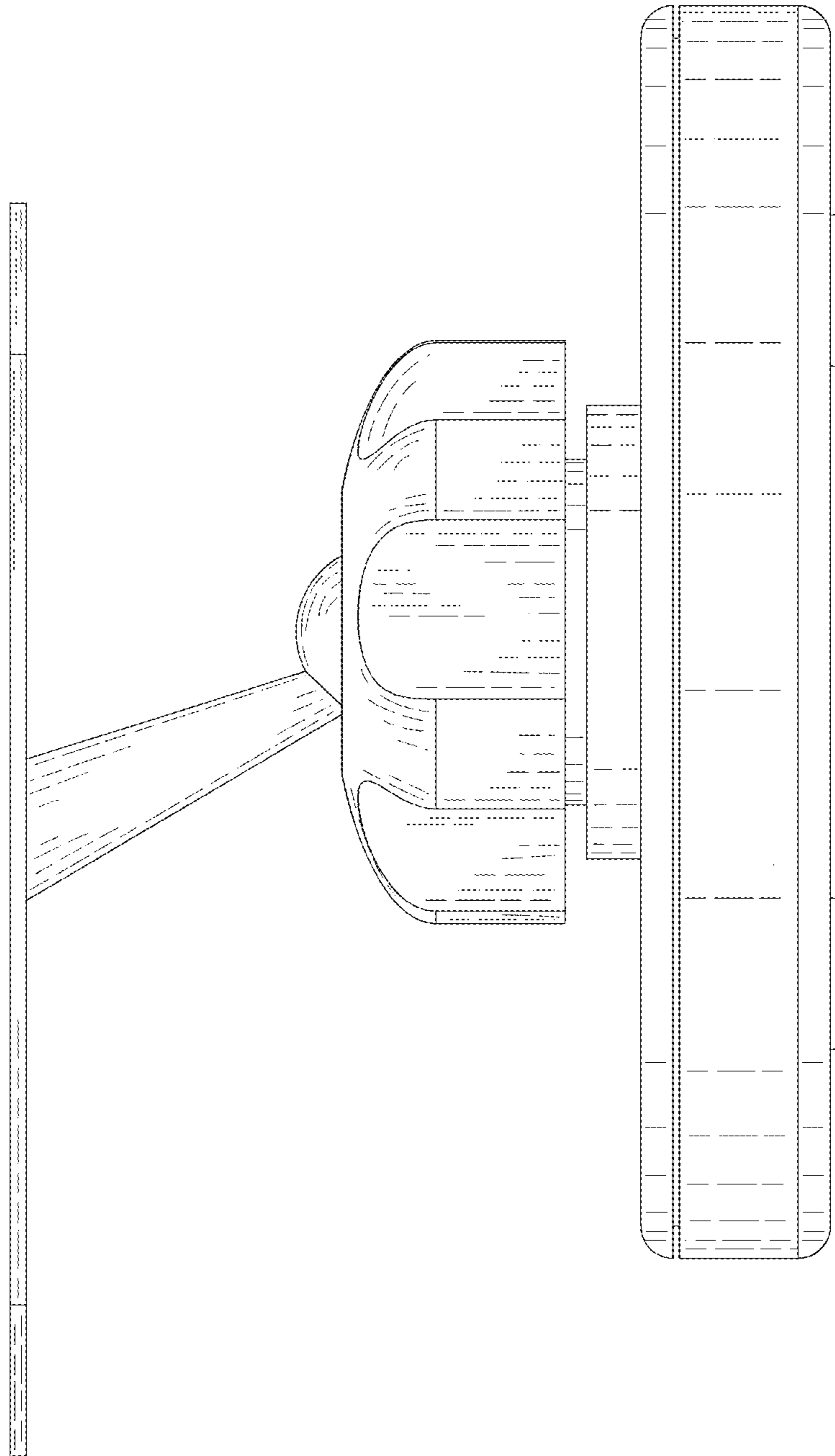


FIG. 5

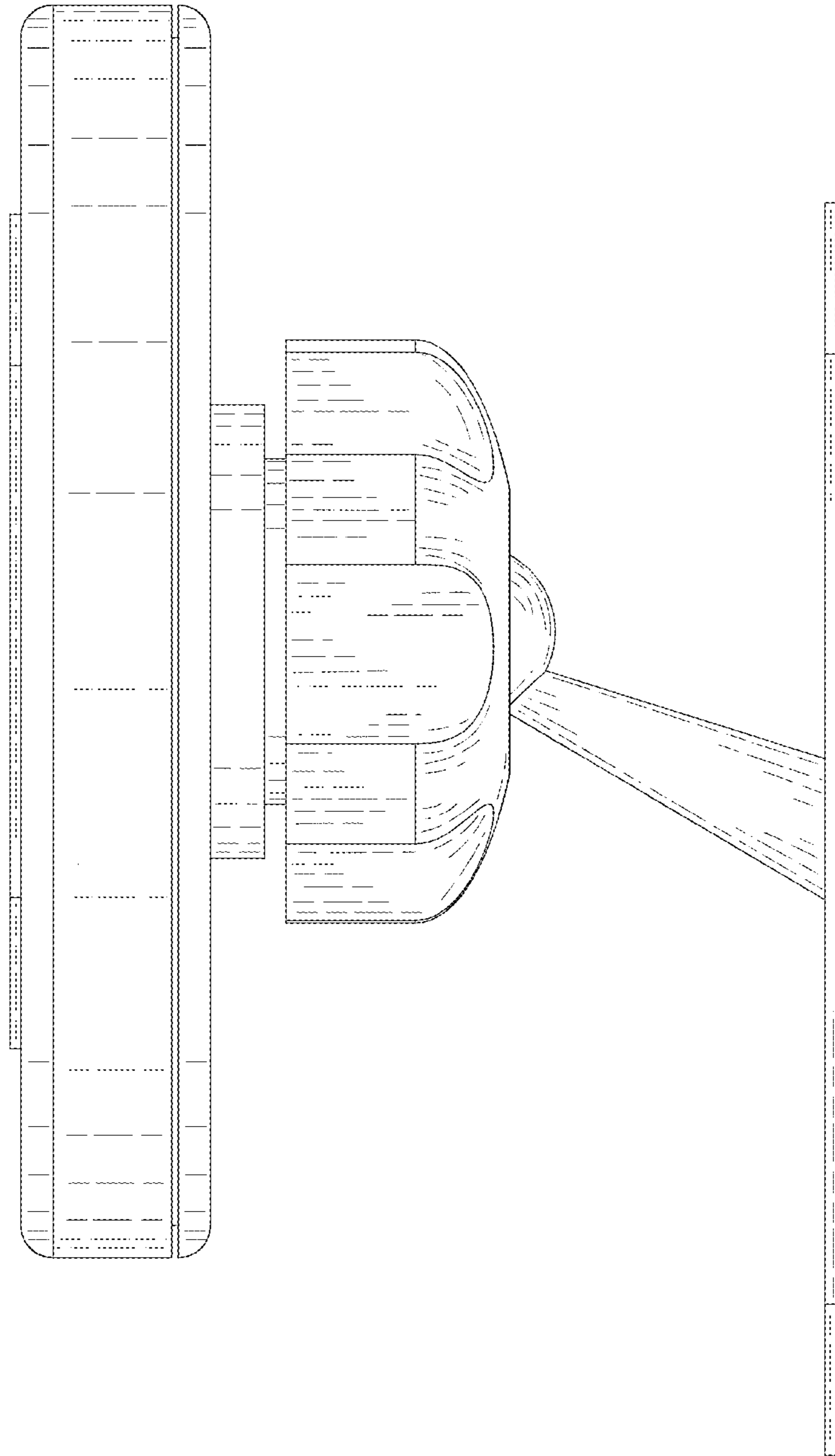


FIG. 6

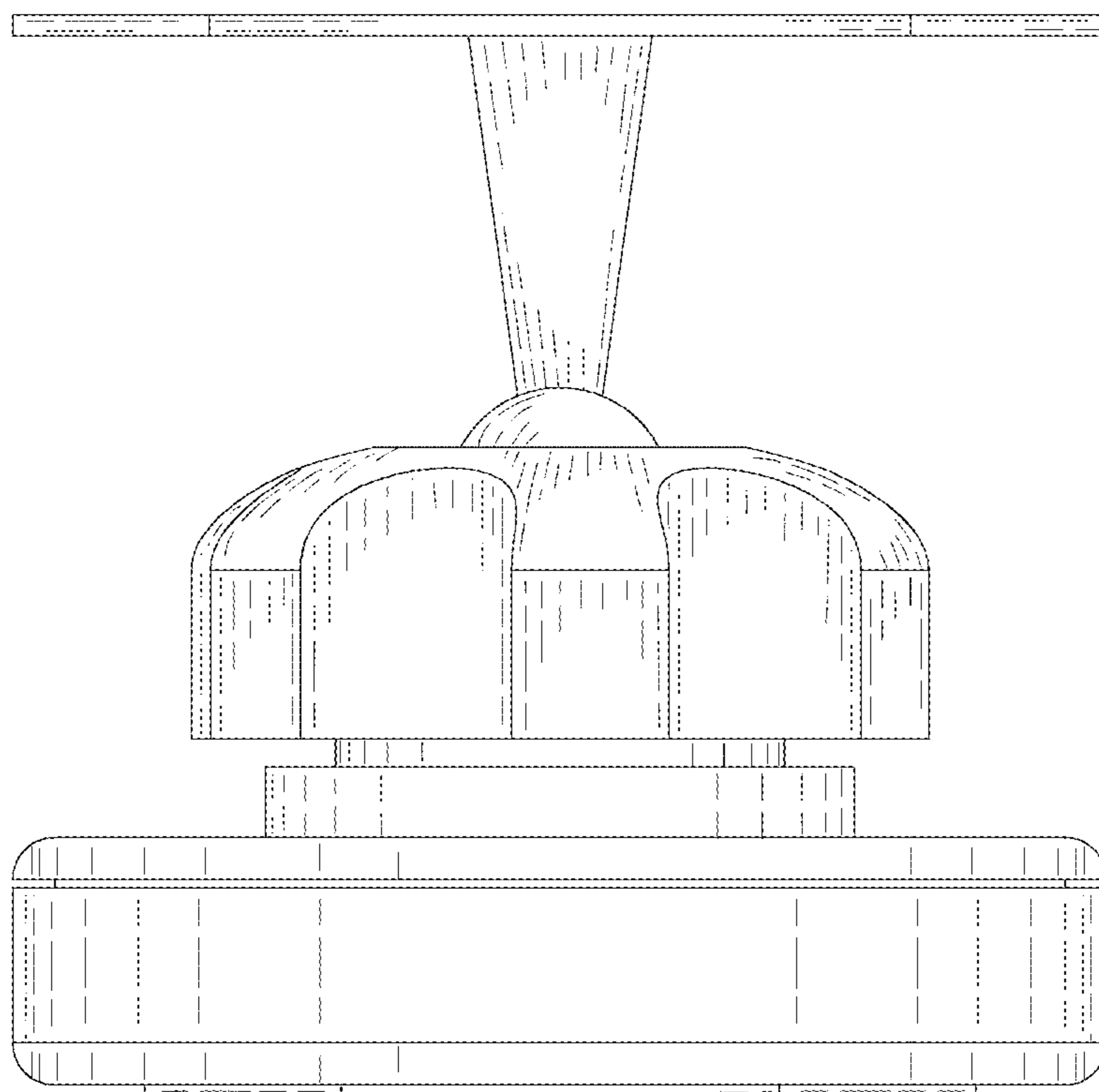


FIG. 7



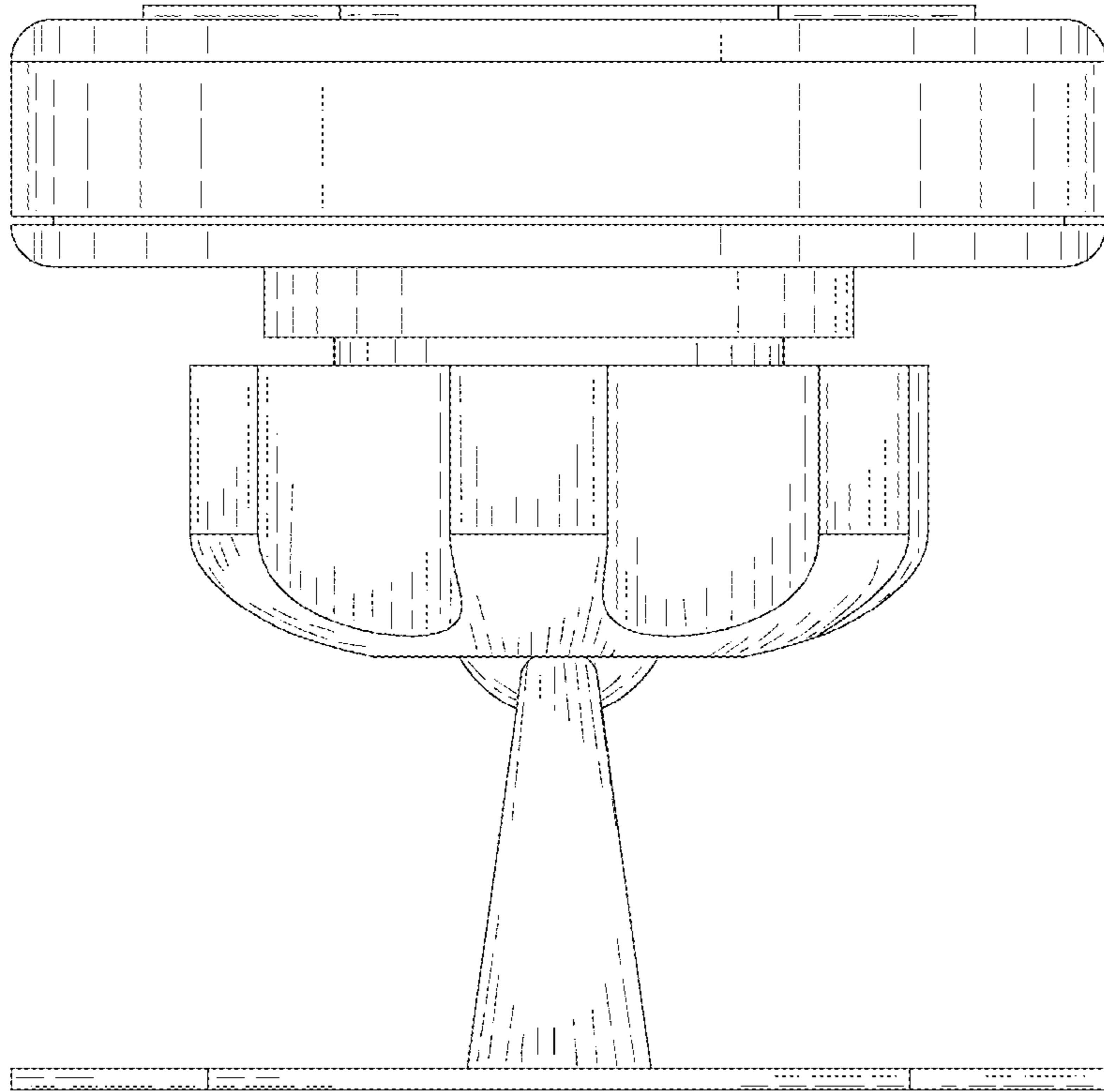


FIG. 8