



US00D825539S

(12) **United States Design Patent** (10) **Patent No.:** **US D825,539 S**
Lu et al. (45) **Date of Patent:** **** Aug. 14, 2018**

(54) **WIRELESS REPEATER**

(71) Applicant: **NANNING FUGUI PRECISION INDUSTRIAL CO., LTD.**, Nanning (CN)

(72) Inventors: **Yi-Wen Lu**, New Taipei (TW); **Chih-Ling Lin**, New Taipei (TW); **Yen-Ting Chu**, New Taipei (TW)

(73) Assignee: **NANNING FUGUI PRECISION INDUSTRIAL CO., LTD.**, Nanning (CN)

(**) Term: **15 Years**

(21) Appl. No.: **29/587,174**

(22) Filed: **Dec. 11, 2016**

(51) **LOC (11) Cl.** **14-03**

(52) **U.S. Cl.**
USPC **D14/240; D14/358**

(58) **Field of Classification Search**
USPC D14/125, 129, 130, 137, 140, 142, 155, D14/168, 172, 188, 195, 203.1, 203.6, D14/203.8, 204, 209, 209.1, 216, 230, D14/231, 233, 235, 236, 237, 240, 242, D14/299, 300, 302, 348, 351, 356, 357, D14/358, 361, 362, 365, 367, 370, 388, D14/432, 434, 496; D13/103, 107, 108,
(Continued)

(56) **References Cited**

U.S. PATENT DOCUMENTS

D216,122 S * 11/1969 Rivera D14/216
D310,874 S * 9/1990 Utley, Jr. D13/102
(Continued)

OTHER PUBLICATIONS

“BT Whole Home Wi-Fi review: Dead spots begone!” BT’s Whole Home Wi-Fi System pictured therein, as posted at ExpertReviews.

co.uk [online], posted on Jan. 30, 2017, [site visited Jan. 3, 2018]. Available from the Internet, <URL: <http://www.expertreviews.co.uk/bt/1405560/bt-whole-home-wi-fi-review-dead-spots-begone>>.*

(Continued)

Primary Examiner — Jeffrey D Asch

Assistant Examiner — Rebekah A Caruso

(74) *Attorney, Agent, or Firm* — ScienBiziP, P.C.

(57) **CLAIM**

The ornamental design for a wireless repeater, as shown and described.

DESCRIPTION

FIG. 1 is a perspective view of a wireless repeater showing our design;

FIG. 2 is another perspective view of the wireless repeater.

FIG. 3 is a front view of the wireless repeater.

FIG. 4 is a rear view of the wireless repeater.

FIG. 5 is a left-side view of the wireless repeater.

FIG. 6 is a right-side view of the wireless repeater.

FIG. 7 is a top planar view of the wireless repeater.

FIG. 8 is a bottom planar view of the wireless repeater.

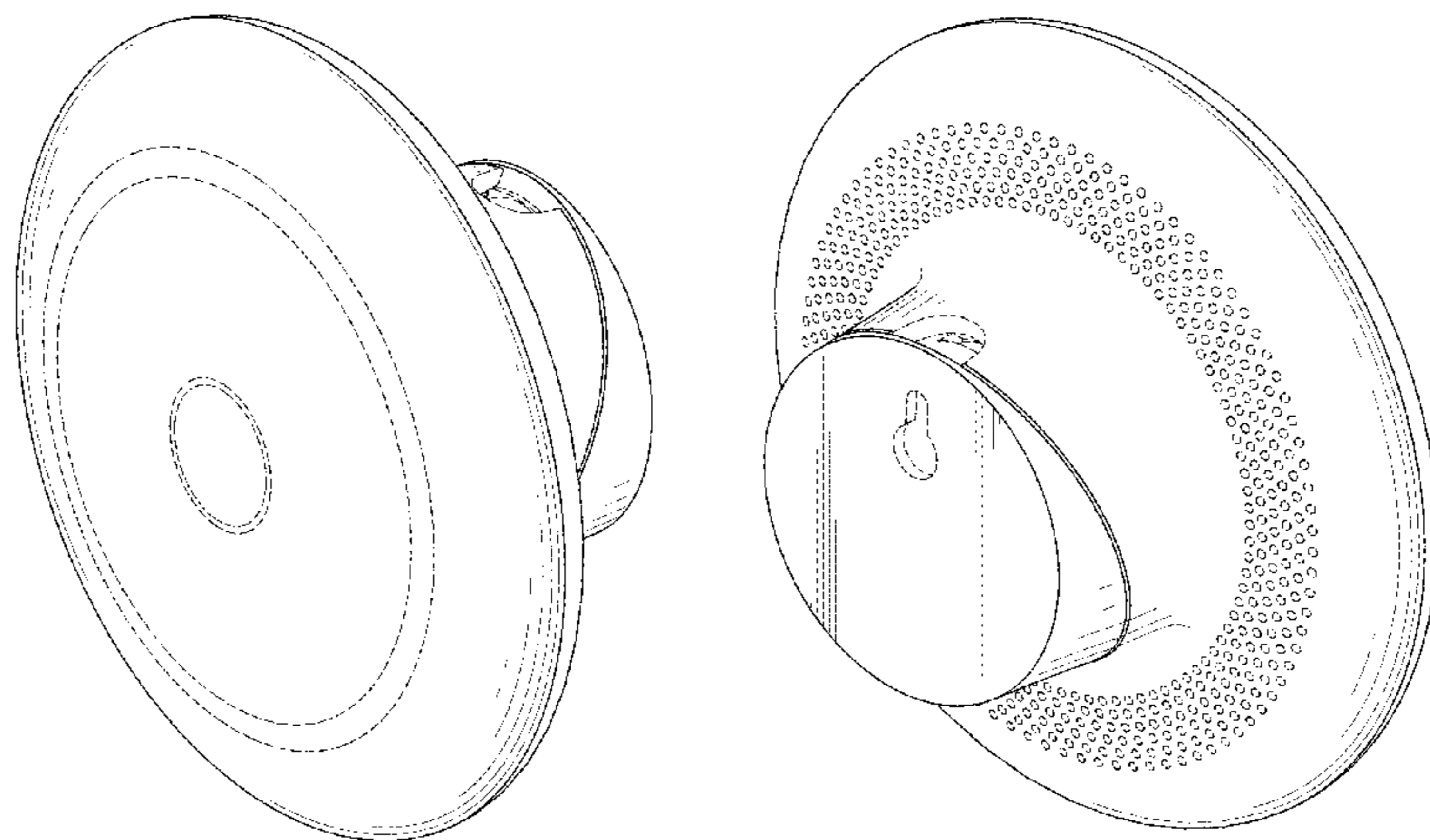
FIG. 9 is a disassembled view of the wireless repeater, showing the back cover detached.

FIG. 10 is a perspective view of the wireless repeater hung on a wall in one position for use; and,

FIG. 11 is a perspective view of the wireless repeater without the back cover, and positioned on a table in another position for use.

The broken lines shown in the figures that are immediately adjacent to the shaded areas and which define unshaded regions represent the bounds of the claim. All other broken lines, including the features within broken line boundaries, are directed to environment. The broken lines that show environmental structure and boundaries form no part of the claimed design.

1 Claim, 11 Drawing Sheets



(58) **Field of Classification Search**

USPC ... D13/123, 152, 158, 162, 162.1, 163, 168,
 D13/184, 199; D10/104.1, 106.2, 106.3,
 D10/106.5, 106.6, 106.9, 106.91, 116.1,
 D10/61, 64, 75; D23/370, 385
 CPC ... H04W 88/08; H04W 88/085; H04W 88/00;
 H04W 88/005; H04W 88/02; H04W
 88/12; H04W 88/14; H04W 88/16; H04W
 88/18; H04W 4/00; H01Q 1/02; H01Q
 1/2291; H01Q 1/246; H04B 1/38
 See application file for complete search history.

D635,551 S * 4/2011 Wada D14/216
 D643,412 S * 8/2011 Brady D14/218
 8,085,214 B2 * 12/2011 McCown H01Q 19/13
 343/840
 D693,346 S * 11/2013 Coulter D14/412
 D695,725 S * 12/2013 Taeger D14/230
 8,855,730 B2 * 10/2014 Sanford H01Q 21/0087
 455/575.7
 D736,181 S * 8/2015 Mackiewicz D14/216
 D755,162 S * 5/2016 He D14/216
 D771,600 S * 11/2016 Hinokio D14/228
 9,543,998 B2 * 1/2017 Honjo H04B 1/38
 D781,818 S * 3/2017 Pera D14/172
 D791,109 S * 7/2017 Wallace D14/233
 D801,305 S * 10/2017 Vaclavik D14/215

(56) **References Cited**

U.S. PATENT DOCUMENTS

D346,598 S * 5/1994 McCay D14/137
 D355,416 S * 2/1995 McCay D14/137
 D363,935 S * 11/1995 McGreevy D14/230
 D396,532 S * 7/1998 Tsuji D23/385
 D401,593 S * 11/1998 Nishimura D14/230
 D401,594 S * 11/1998 Nishimura D14/230
 D474,169 S * 5/2003 Fletcher D14/159
 D474,173 S * 5/2003 Right D14/209
 D489,706 S * 5/2004 Chen D14/195
 D499,719 S * 12/2004 Peersmann D14/240
 D501,848 S * 2/2005 Uehara D14/240
 D512,417 S * 12/2005 Hirakawa D14/223
 D543,975 S * 6/2007 McCown D14/230

OTHER PUBLICATIONS

“Review: Ubiquiti UniFi made me realize how terrible consumer Wi-Fi gear is,” Ubiquiti UniFi wireless access point pictured therein, as posted at Arstechnica.com [online], posted on Oct. 15, 2015, [site visited Jan. 3, 2018]. Available from the Internet, <URL: <https://arstechnica.com/gadgets/2015/10/review-ubiquiti-unifi-made-me-realize-how-terrible-consumer-wi-fi-gear-is/>>.*
 NanoBeam M5-16, as posted at Wlan.am [online], posting date not available, [site visited Jan. 3, 2018]. Available from the Internet, <URL: <http://wlan.am/en/client/25-nanobeam-m5-16.html>>.*

* cited by examiner

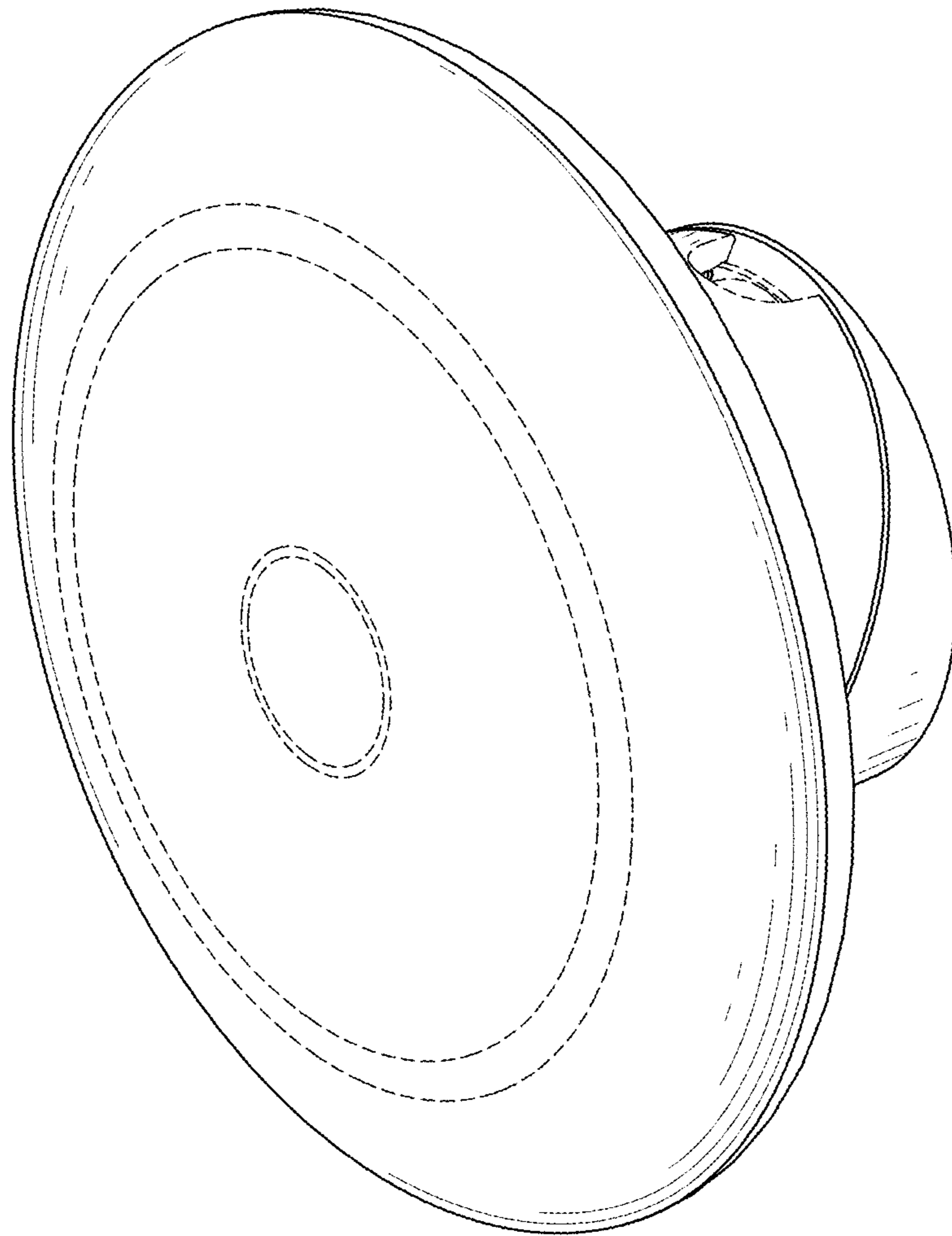


FIG. 1

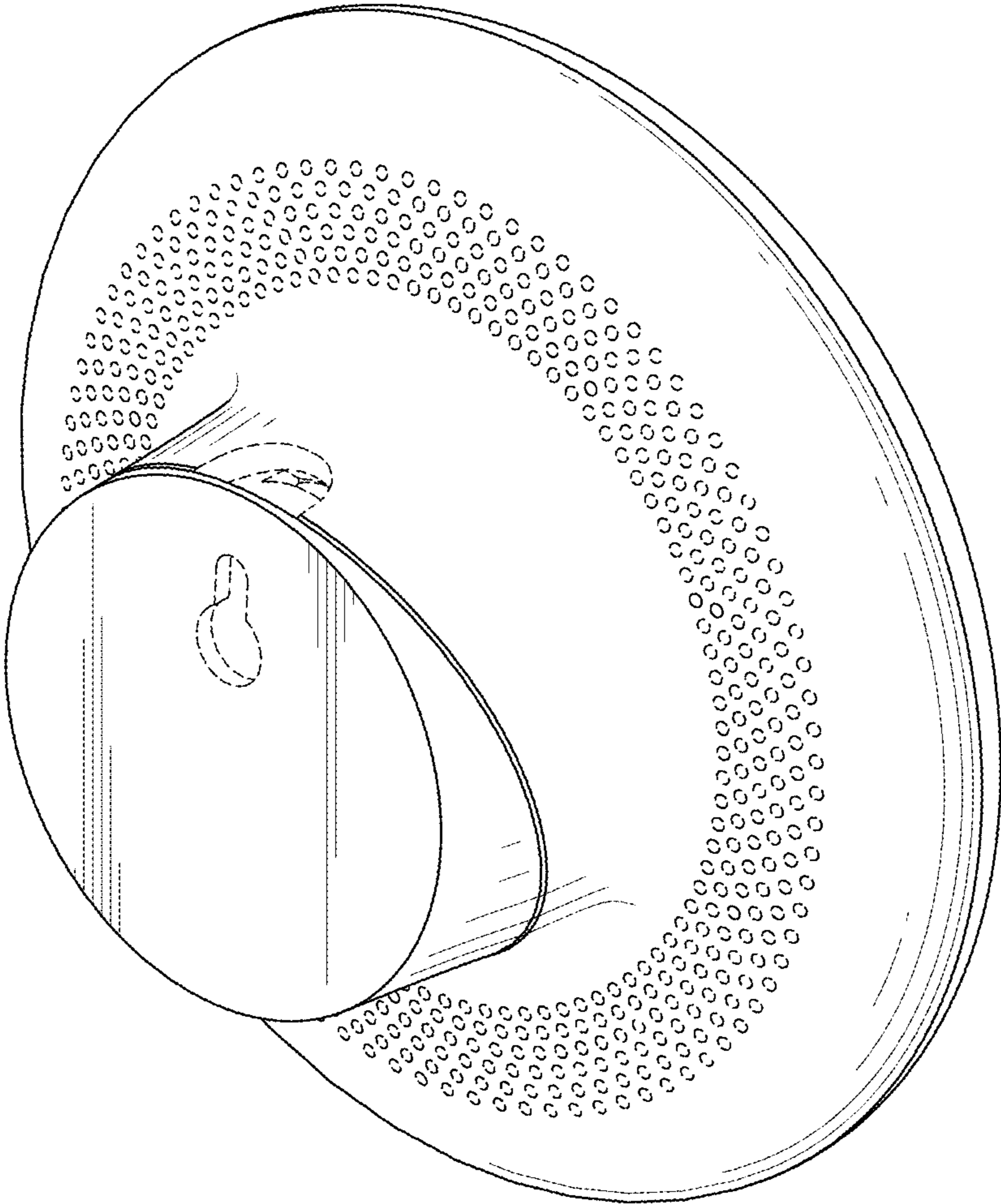


FIG. 2

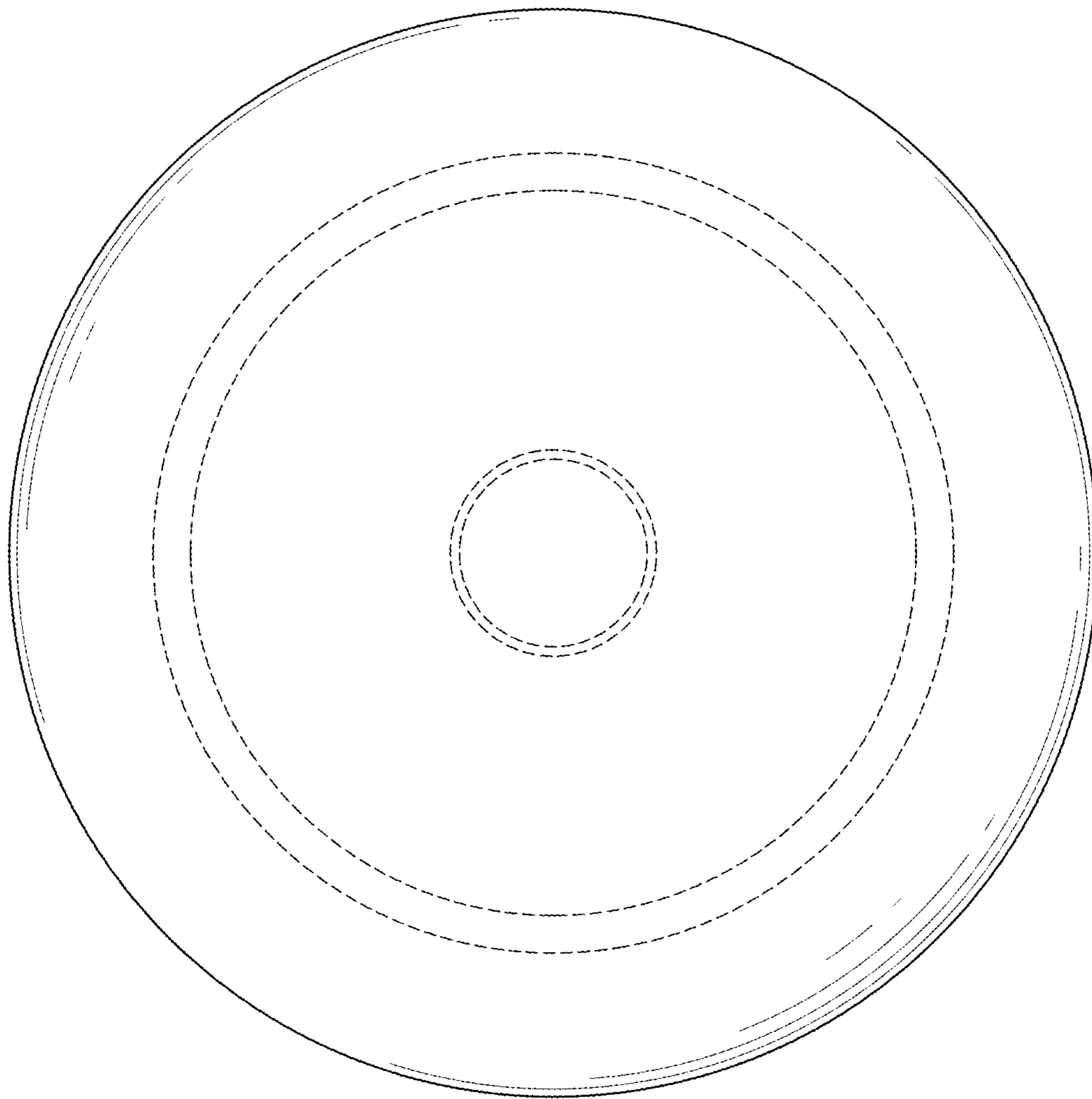


FIG. 3

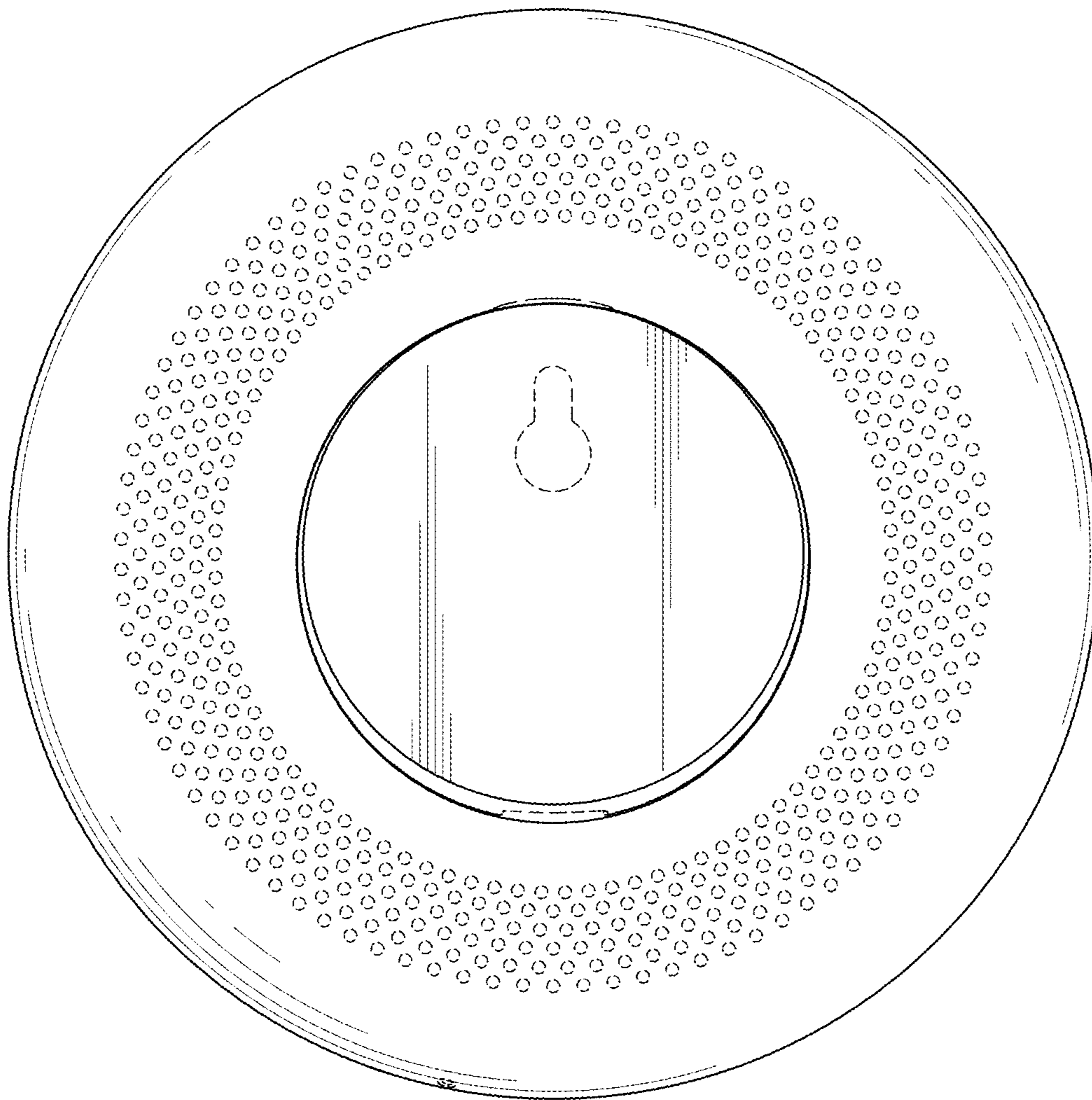


FIG. 4

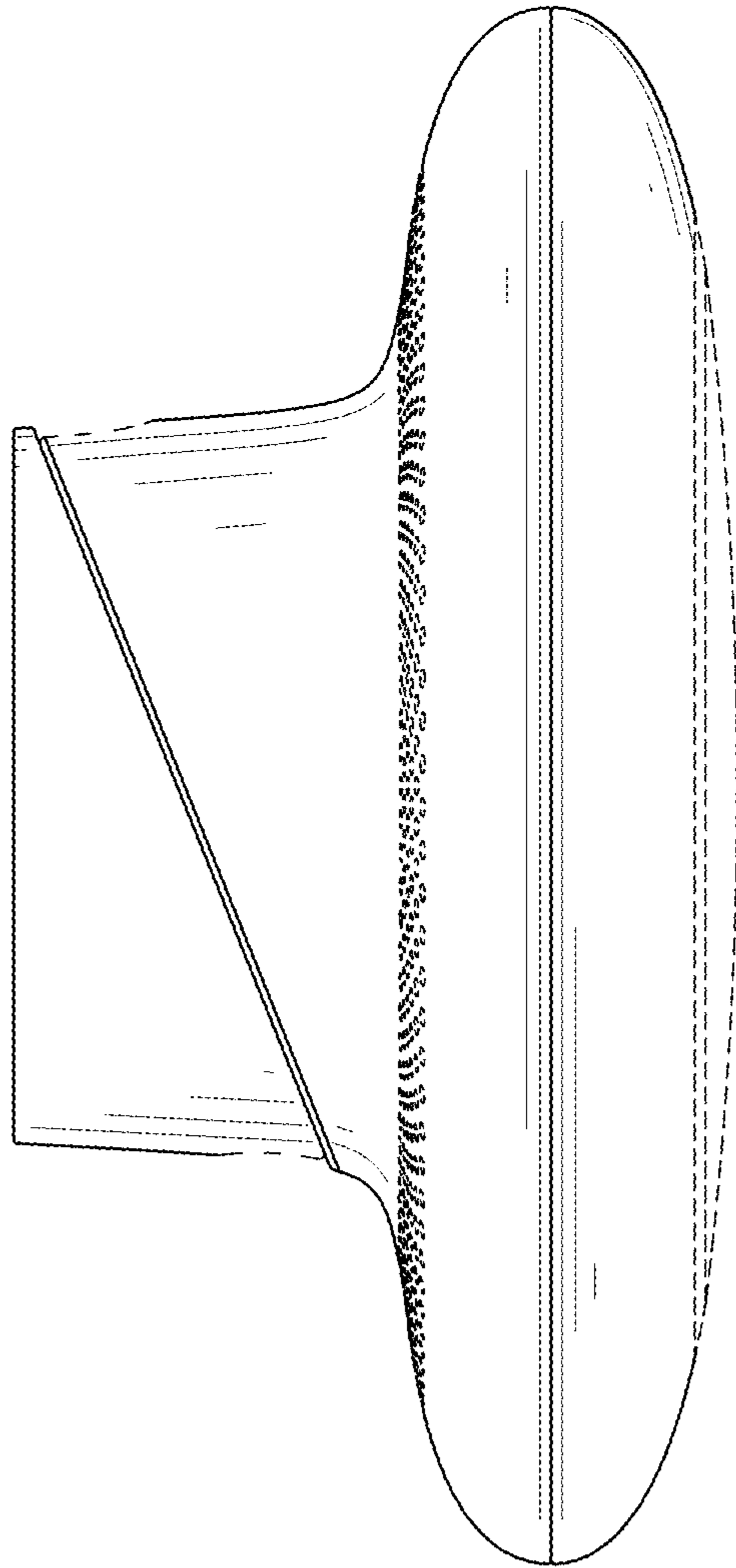


FIG. 5

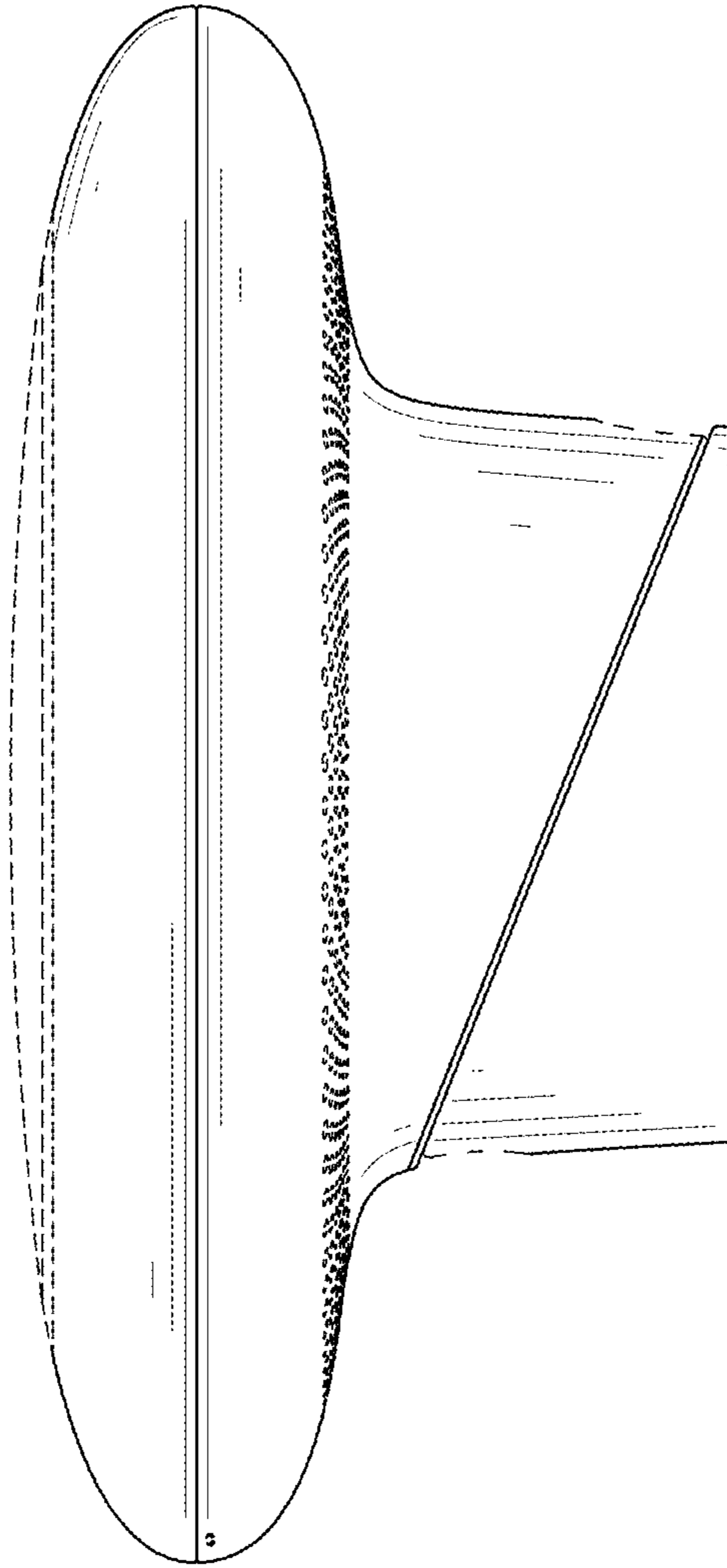


FIG. 6

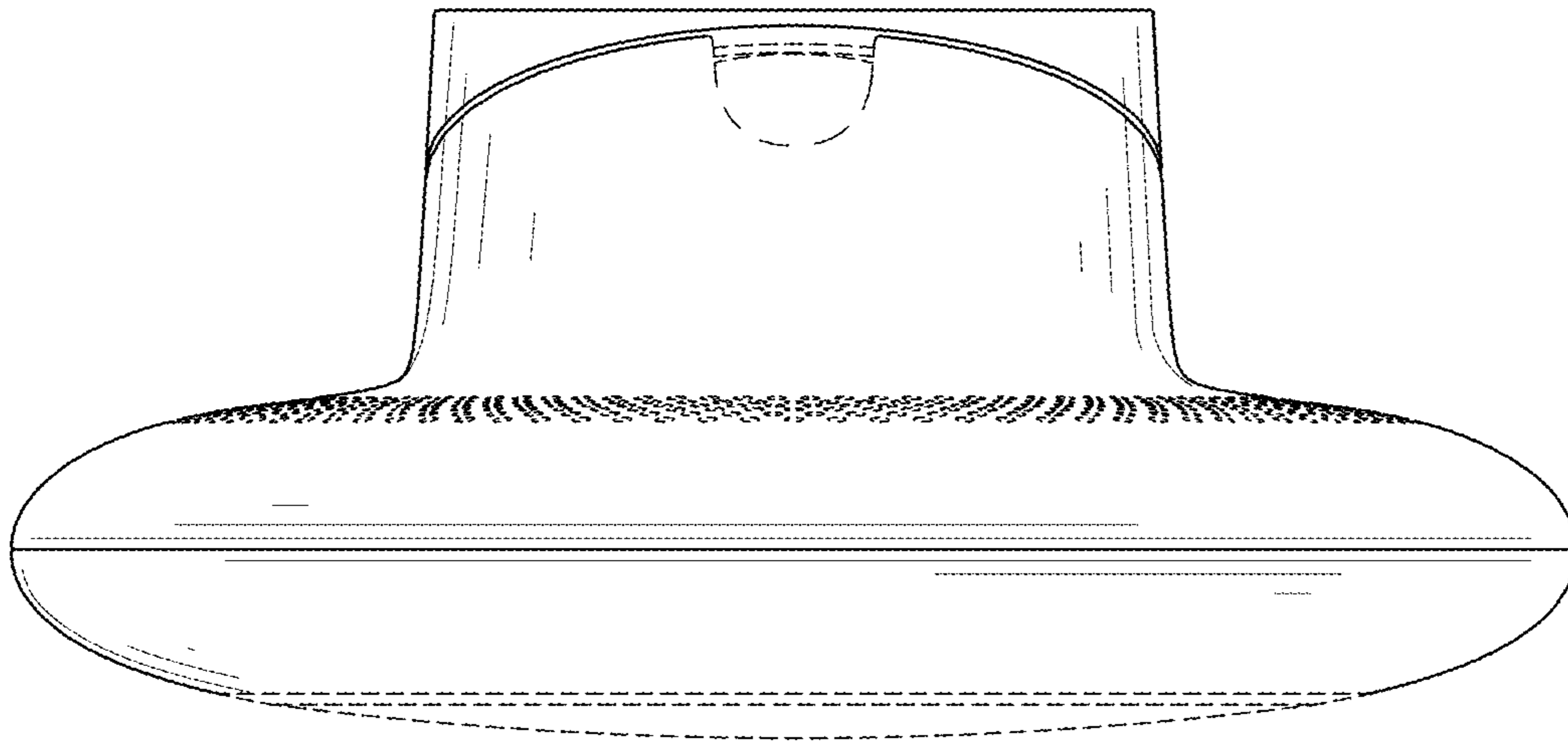


FIG. 7

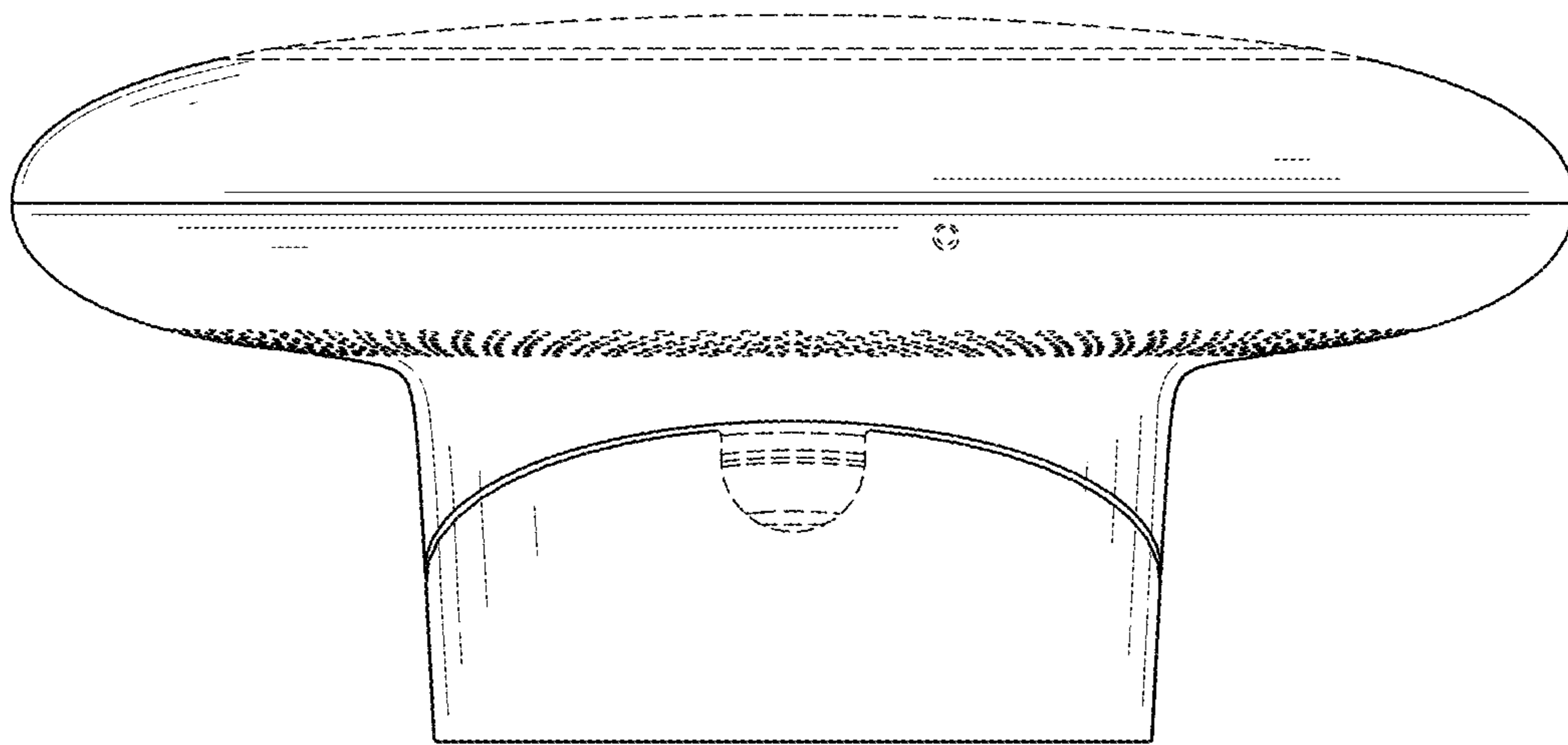


FIG. 8

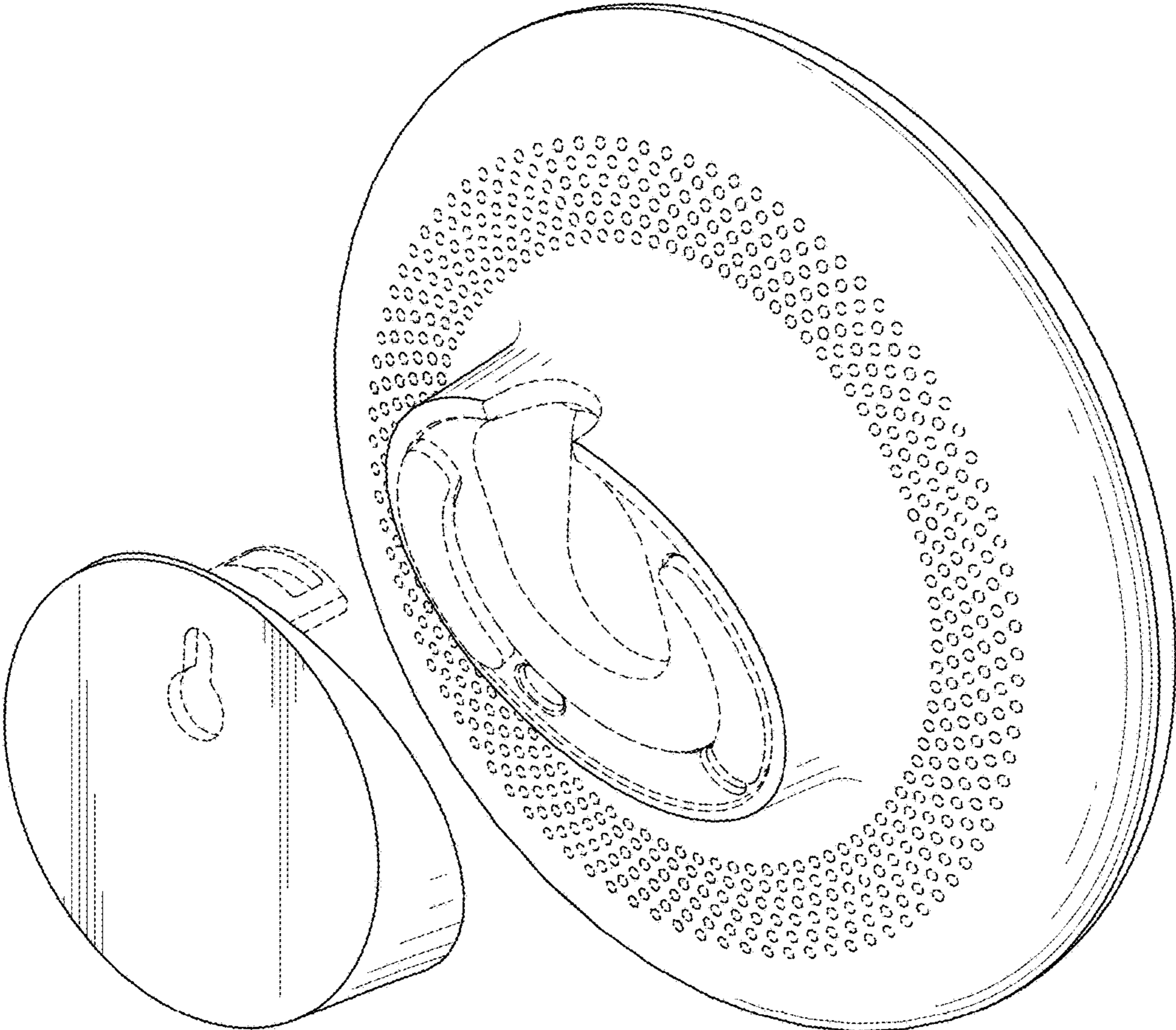


FIG. 9

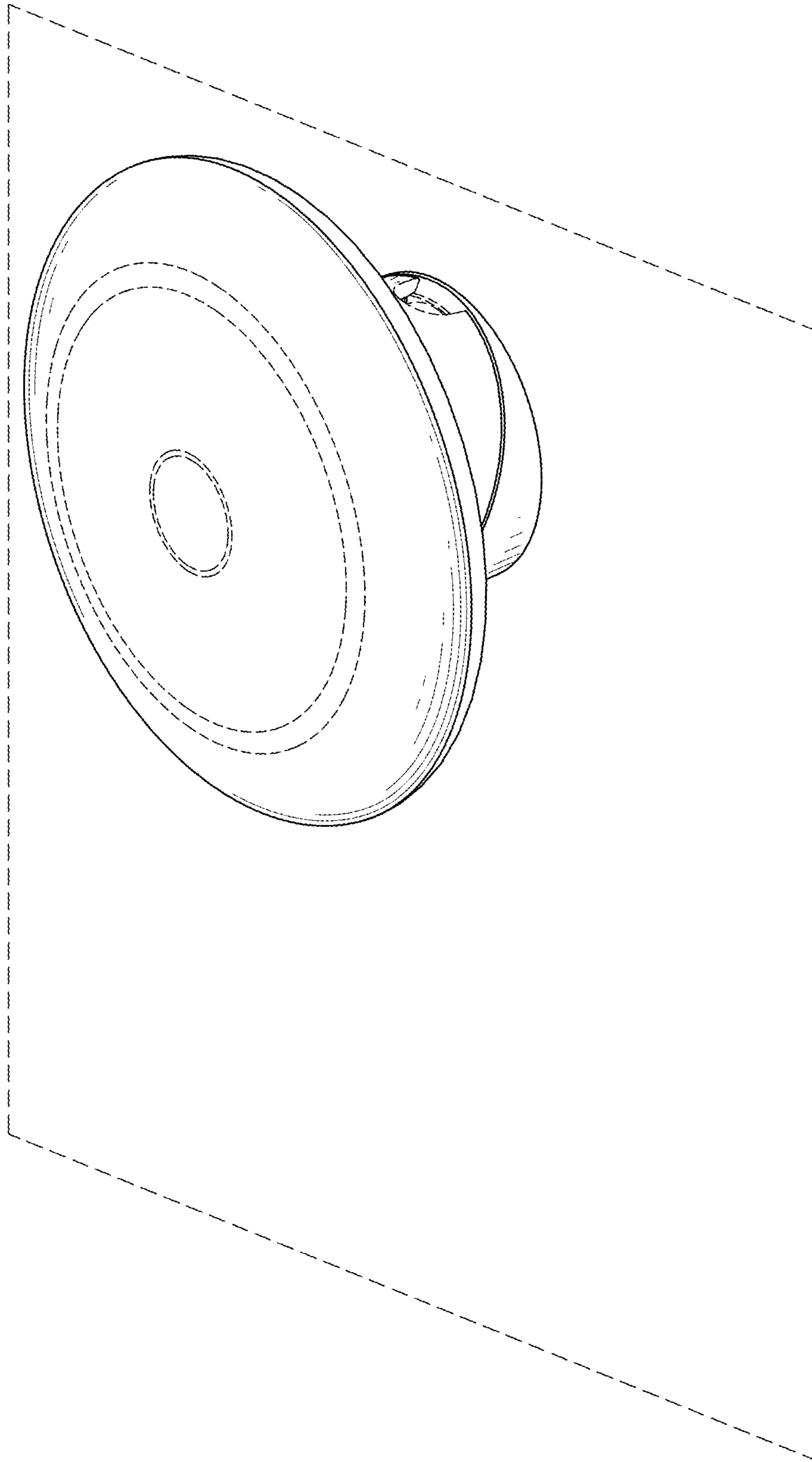


FIG. 10

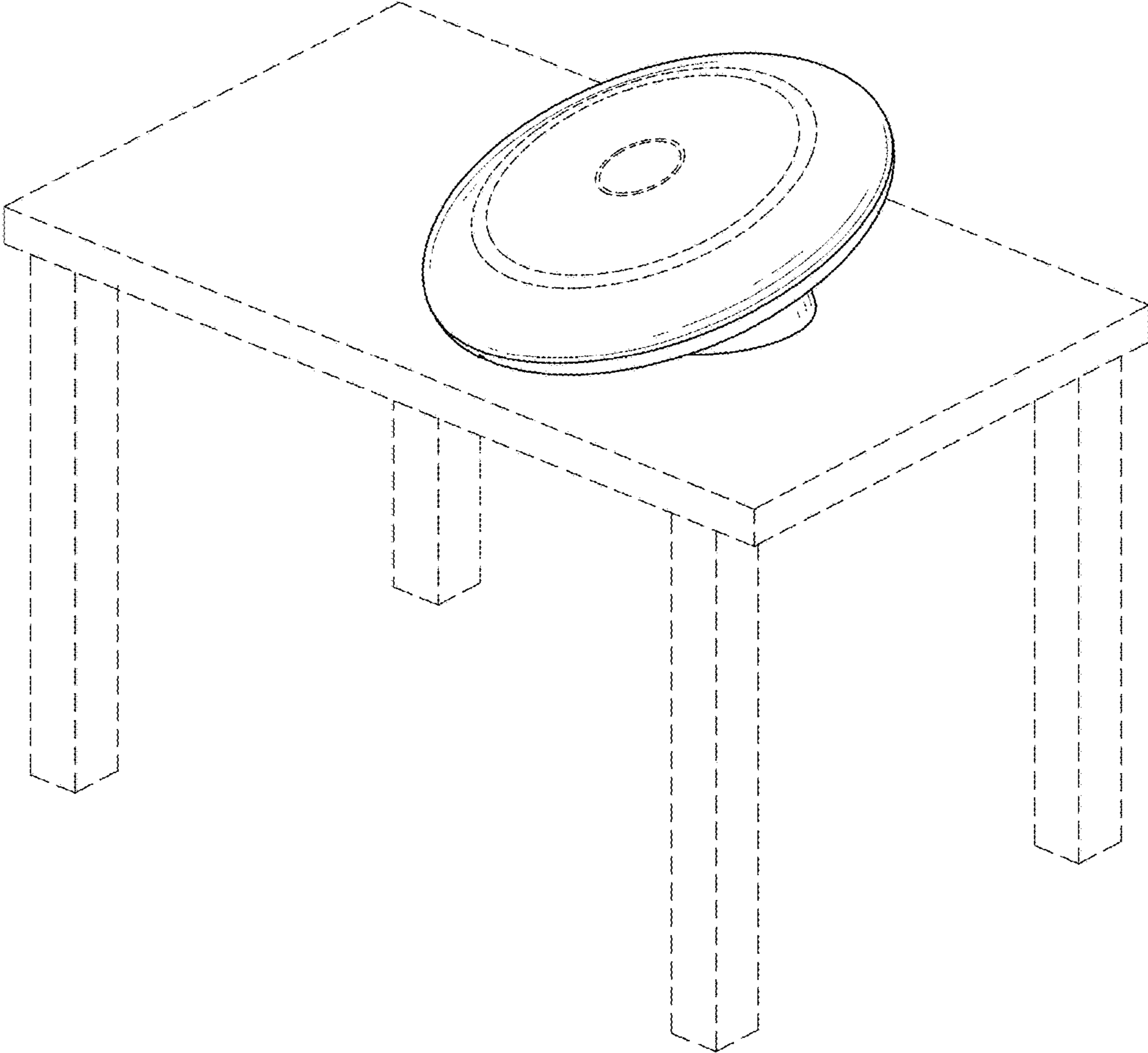


FIG. 11