



US00D825538S

(12) **United States Design Patent** (10) **Patent No.:** **US D825,538 S**
He et al. (45) **Date of Patent:** **** Aug. 14, 2018**

(54) **ANTENNA**

(71) Applicant: **Airgain Incorporated**, San Diego, CA (US)

(72) Inventors: **Ziming He**, Irvine, CA (US); **Xiangjie Bian**, Zhang Jia Gang (CN)

(73) Assignee: **Airgain Incorporated**, San Diego, CA (US)

(**) Term: **15 Years**

(21) Appl. No.: **29/609,556**

(22) Filed: **Jun. 30, 2017**

Related U.S. Application Data

(62) Division of application No. 29/555,964, filed on Feb. 25, 2016, now Pat. No. Des. 791,108.

(51) **LOC (11) Cl.** **14-03**

(52) **U.S. Cl.**
USPC **D14/230**

(58) **Field of Classification Search**
USPC D14/138, 230, 231, 232, 233, 234, 235, D14/236, 237, 238, 238.1, 299, 358; D13/175, 182
CPC G01R 29/10; G01S 2013/0245; G01S 2013/0254; G01S 2013/0263; G01S 7/4026; G05B 2219/45001; G06K 19/07773; G06K 19/07775; G06K 19/07777; G08B 13/2468; G08B 13/2477; H01Q 1/088

See application file for complete search history.

(56) **References Cited**

U.S. PATENT DOCUMENTS

7,333,067	B2 *	2/2008	Hung	H01Q 1/36 343/700 MS
D694,738	S *	12/2013	Yang	D14/230
D791,108	S *	7/2017	He	D14/230
D799,453	S *	10/2017	Chang	D14/230
D807,864	S *	1/2018	He	D14/230
2005/0259024	A1 *	11/2005	Hung	H01Q 1/36 343/770
2012/0242546	A1 *	9/2012	Hu	H01Q 1/243 343/700 MS
2013/0033399	A1 *	2/2013	Huang	H01Q 9/0421 343/700 MS

OTHER PUBLICATIONS

<http://airgain.com/our-services/embedded-antennas/>—Retrieved Jan. 4, 2017.*

<http://www.airgain.com/ultra-M1920T>—Retrieved Jun. 20, 2016.*

* cited by examiner

Primary Examiner — Manpreet S Matharu

Assistant Examiner — Mojtaba Tehrani

(74) *Attorney, Agent, or Firm* — Clause Eight IPS; Michael Catania

(57) **CLAIM**

The ornamental design for an antenna, as shown and described.

DESCRIPTION

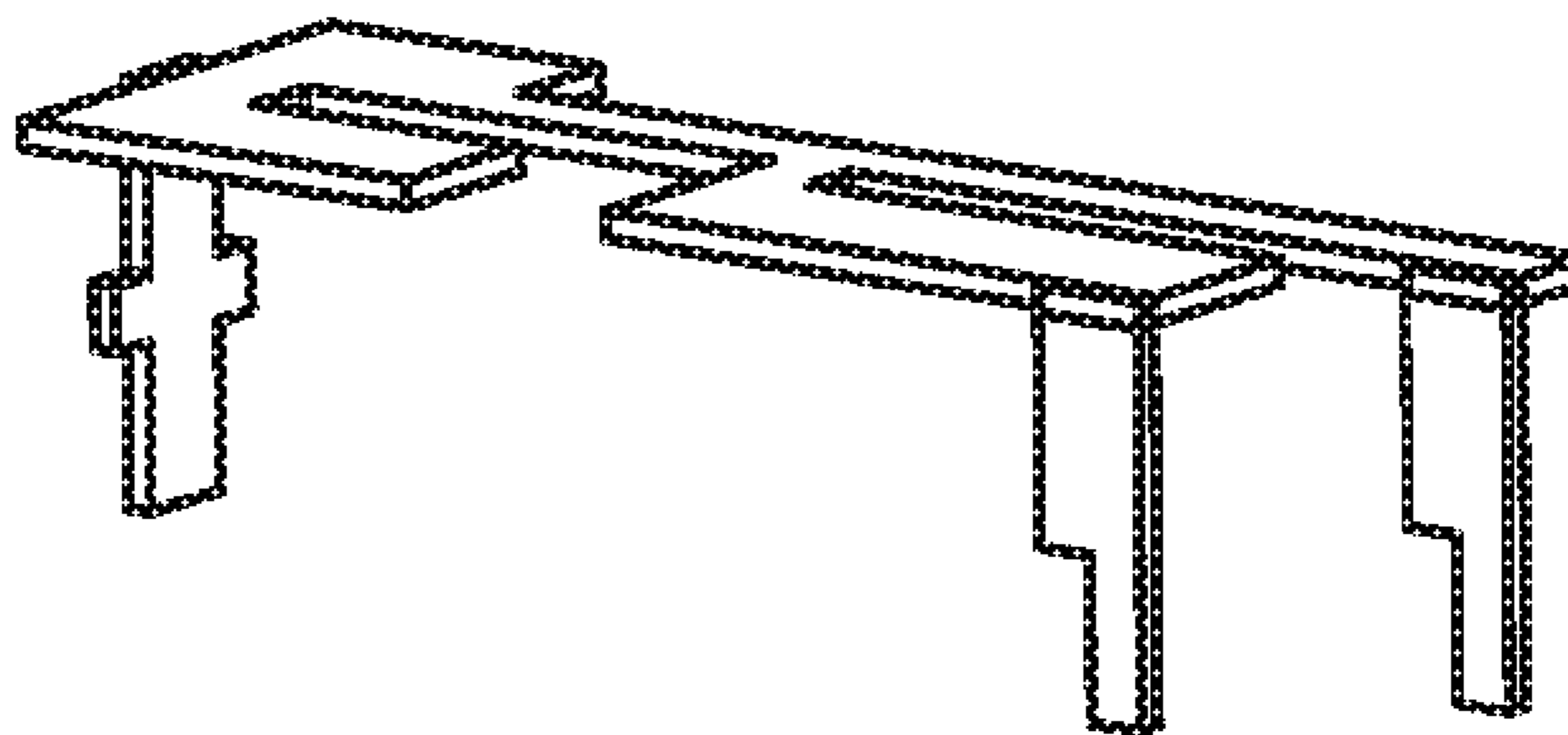
FIG. 1 is a top perspective view of an antenna, showing our new design;

FIG. 2 is a top plan view thereof;

FIG. 3 is a front elevation view thereof; and,

FIG. 4 is a side elevation view thereof.

1 Claim, 1 Drawing Sheet



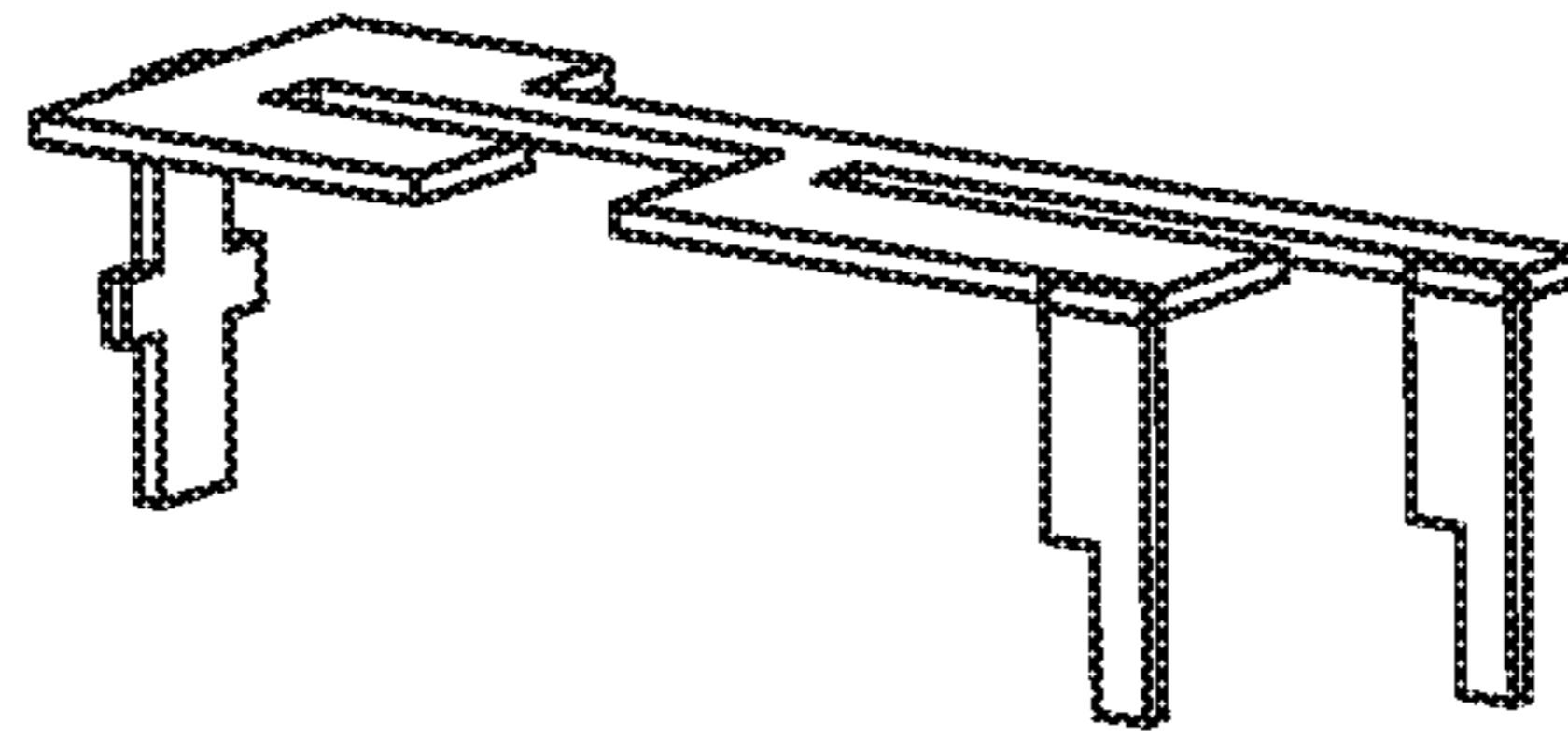


FIG. 1

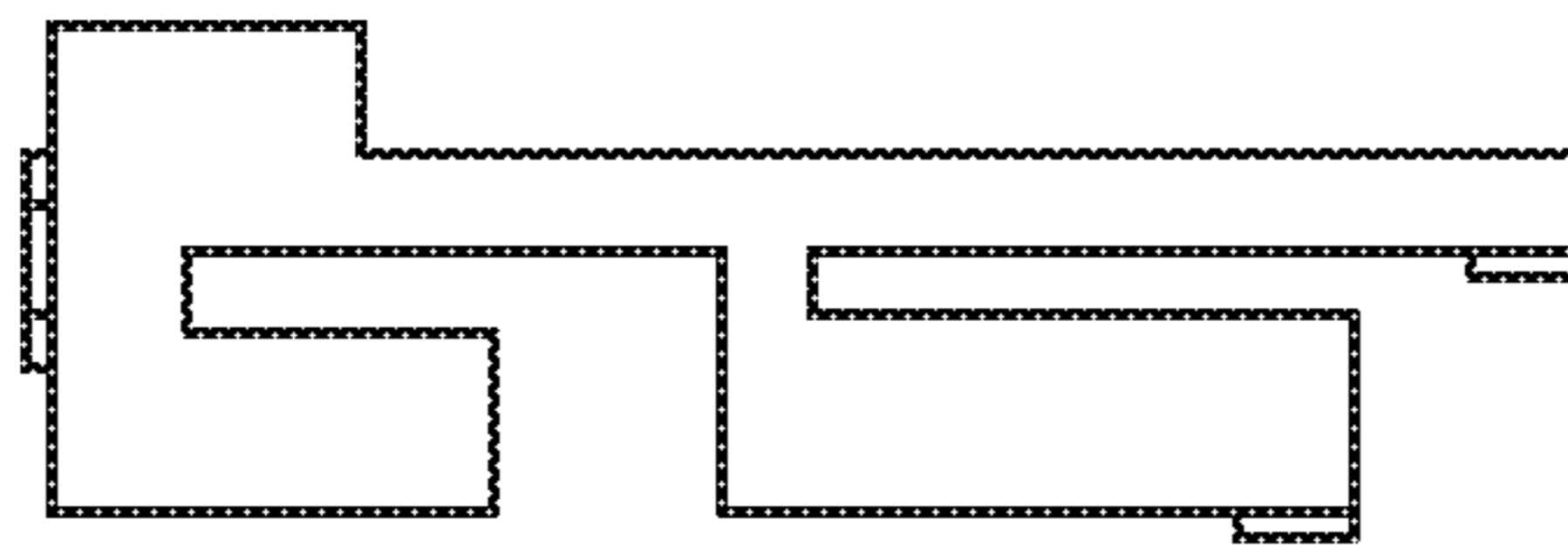


FIG. 2

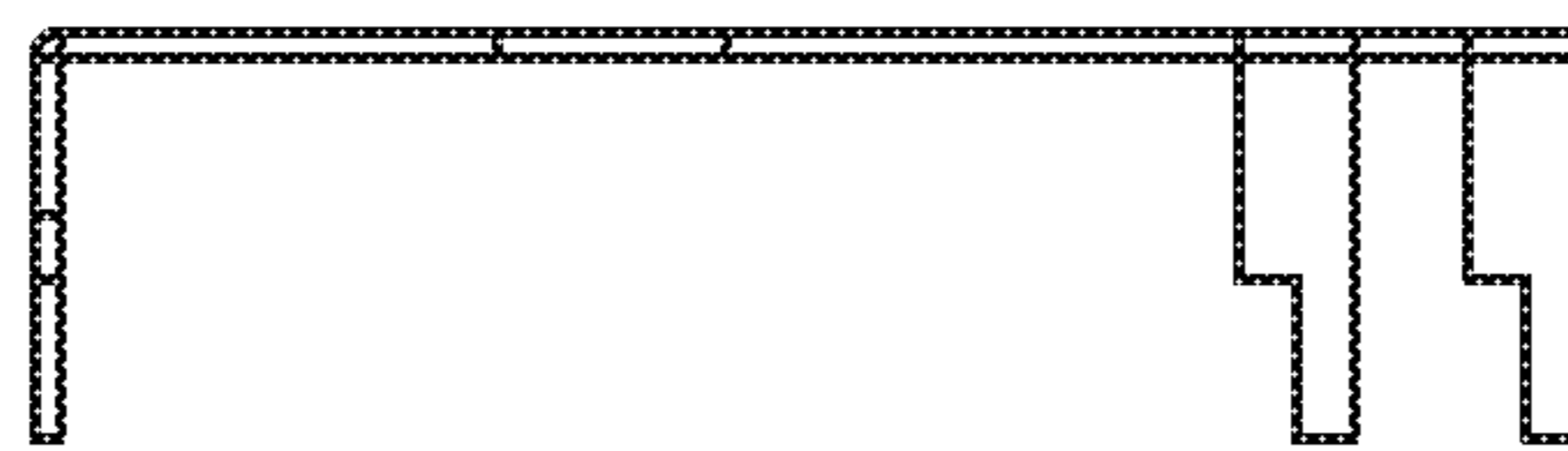


FIG. 3

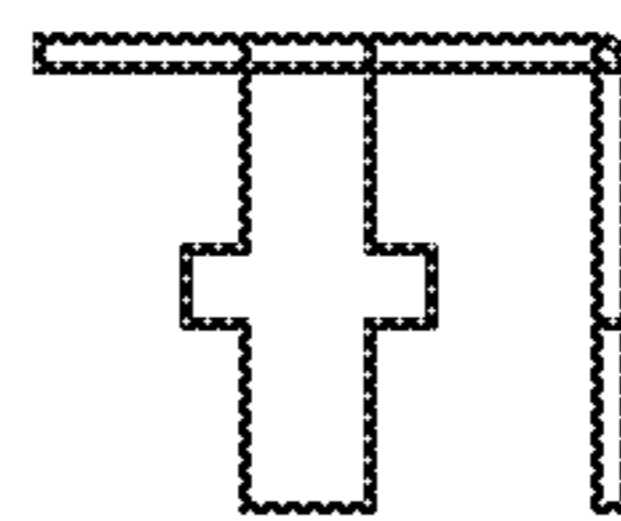


FIG. 4