



US00D825535S

(12) **United States Design Patent**
Wright

(10) **Patent No.:** **US D825,535 S**
(45) **Date of Patent:** **** Aug. 14, 2018**

(54) **WALL LOUDSPEAKER MOUNTING SYSTEM**

(71) Applicant: **Doug Wright**, Coeur d'Alene, ID (US)

(72) Inventor: **Doug Wright**, Coeur d'Alene, ID (US)

(**) Term: **15 Years**

(21) Appl. No.: **29/555,774**

(22) Filed: **Feb. 24, 2016**

(51) **LOC (11) Cl.** **14-01**

(52) **U.S. Cl.**
USPC **D14/224**; D14/209

(58) **Field of Classification Search**

USPC D14/224, 244.1, 221, 209.1, 211, 204,
D14/210, 216, 451, 452, 251, 217, 209;
D8/354, 363, 373; 181/144, 145, 153,
181/156, 146, 150-152, 157, 198, 199;
381/300-303, 306, 332, 333, 336, 397;
D6/524, 574; 248/284.1, 283.1, 278.1
CPC ... H04R 1/02; H04R 1/26; H04R 1/28; H04R
17/02; H04R 9/08; H05K 5/00; H05K
5/02; A47F 5/00; A47F 5/12; F21V 21/00
See application file for complete search history.

(56) **References Cited**

U.S. PATENT DOCUMENTS

D34,084 S *	2/1901	Griggs	D14/251
1,897,400 A *	2/1933	Scofield	B60R 11/0205 248/291.1
2,278,356 A *	3/1942	Livingston	H01R 35/02 248/278.1
D172,523 S *	6/1954	Stone	D26/138
2,862,328 A *	12/1958	Wadsworth	A47B 23/02 108/44
3,124,181 A *	3/1964	Clemans	B27B 27/04 269/150
3,324,254 A *	6/1967	Shaw	H04R 1/08 248/121
3,362,671 A *	1/1968	Johnson	G03B 21/58 211/115

(Continued)

Primary Examiner — Paula Allen Greene

(74) *Attorney, Agent, or Firm* — Apogee Law Group P.C.

(57) **CLAIM**

The ornamental design for wall loudspeaker mounting system, as shown and described.

DESCRIPTION

FIG. 1 is a front bottom perspective view of a loudspeaker mounted on an on-wall speaker mounting system.

FIG. 2 is a rear top perspective view of the on-wall speaker mounting system.

FIG. 3 is a front right side perspective view of the on-wall speaker mounting system.

FIG. 4 is a rear right side perspective view of the on-wall speaker mounting system.

FIG. 5 is a right side elevation view of the on-wall speaker mounting system.

FIG. 6 is a left side elevation view of the on-wall speaker mounting system.

FIG. 7 is a bottom elevation view of the on-wall speaker mounting system.

FIG. 8 is top elevation view of the on-wall speaker mounting system.

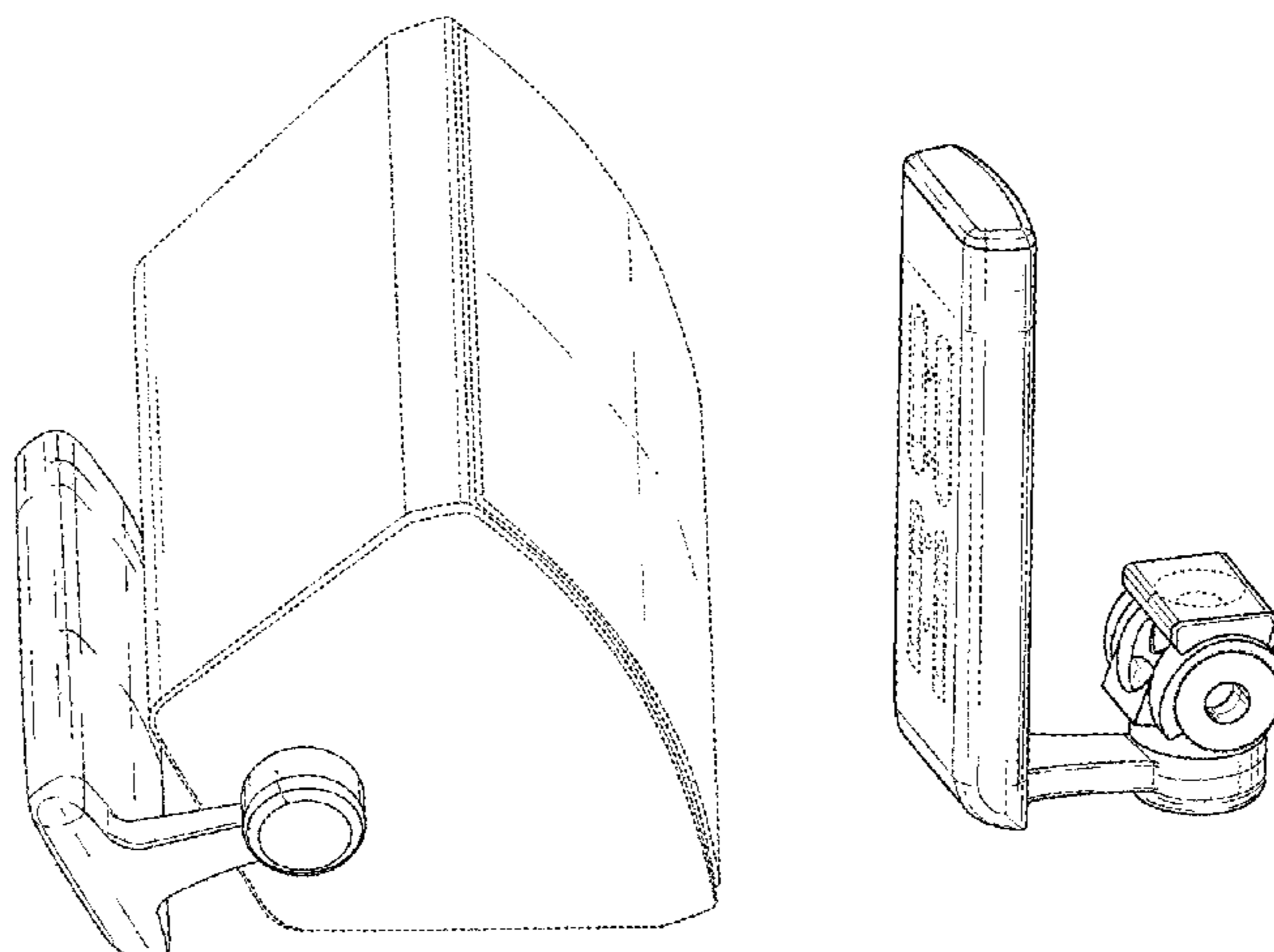
FIG. 9 is a front elevation view of the on-wall speaker mounting system.

FIG. 10 is a rear elevation view of the on-wall speaker mounting system; and,

FIG. 11 is a front top perspective view of the wall loudspeaker mounting system with the shell of the wall fastening portion removed to view the internal structure shown in broken lines that form no part of the claimed design.

The broken line depict environments that forms no part of the claimed design.

1 Claim, 6 Drawing Sheets



(56)

References Cited

U.S. PATENT DOCUMENTS

4,185,801 A * 1/1980 Plymoth B25H 1/0021
248/282.1
4,234,150 A * 11/1980 Mee B25J 9/1065
248/281.11
D268,494 S * 4/1983 Cyrell D14/224
4,475,226 A * 10/1984 Greenberg F21V 33/0056
362/370
4,695,024 A * 9/1987 Haven A61B 6/447
248/280.11
4,768,744 A * 9/1988 Leeds F16M 11/14
248/280.11
4,872,630 A * 10/1989 Cooper B60R 11/00
248/278.1
D311,829 S * 11/1990 Vossoughi D6/513
5,123,621 A * 6/1992 Gates F16M 11/2014
248/184.1
5,180,129 A * 1/1993 Yamaoka B60G 13/006
248/230.1
5,201,896 A * 4/1993 Kruszewski F16M 11/10
248/278.1
D342,173 S * 12/1993 Kirchner D14/452
D347,841 S * 6/1994 Rossman D14/452
D349,640 S * 8/1994 Whitaker D6/574
D356,568 S * 3/1995 Ichikawa D14/209
D363,492 S * 10/1995 Brusing D14/251
D400,085 S * 10/1998 Haskin D8/363
D406,228 S * 3/1999 Vogels D14/452

5,967,479 A * 10/1999 Sweere A47B 21/00
248/280.11
6,367,756 B1 * 4/2002 Wang F16M 11/10
248/276.1
6,644,614 B1 * 11/2003 Chen F16M 13/022
248/229.1
D488,163 S * 4/2004 Hunt D14/452
D488,708 S * 4/2004 Lam D8/363
D495,714 S * 9/2004 Pfister D14/451
D496,367 S * 9/2004 Pfister D14/451
D507,477 S * 7/2005 Pfister D14/451
D512,047 S * 11/2005 Wright D14/215
D547,747 S * 7/2007 Allen D14/211
7,593,536 B2 * 9/2009 Sung G03B 31/00
381/312
D605,632 S * 12/2009 Wathen D14/216
D619,123 S * 7/2010 Lau D14/224
7,841,567 B2 * 11/2010 Wang F16M 11/2092
248/136
D715,310 S * 10/2014 Stifal D14/451
D716,766 S * 11/2014 Lee D14/211
D744,321 S * 12/2015 Boynton D8/363
9,906,847 B2 * 2/2018 Wright H04R 1/02
2002/0154789 A1 * 10/2002 Rodgers F16M 11/041
381/363
2002/0168079 A1 * 11/2002 Kuerti H04R 3/002
381/361
2010/0254559 A1 * 10/2010 Heil H04R 1/08
381/361

* cited by examiner

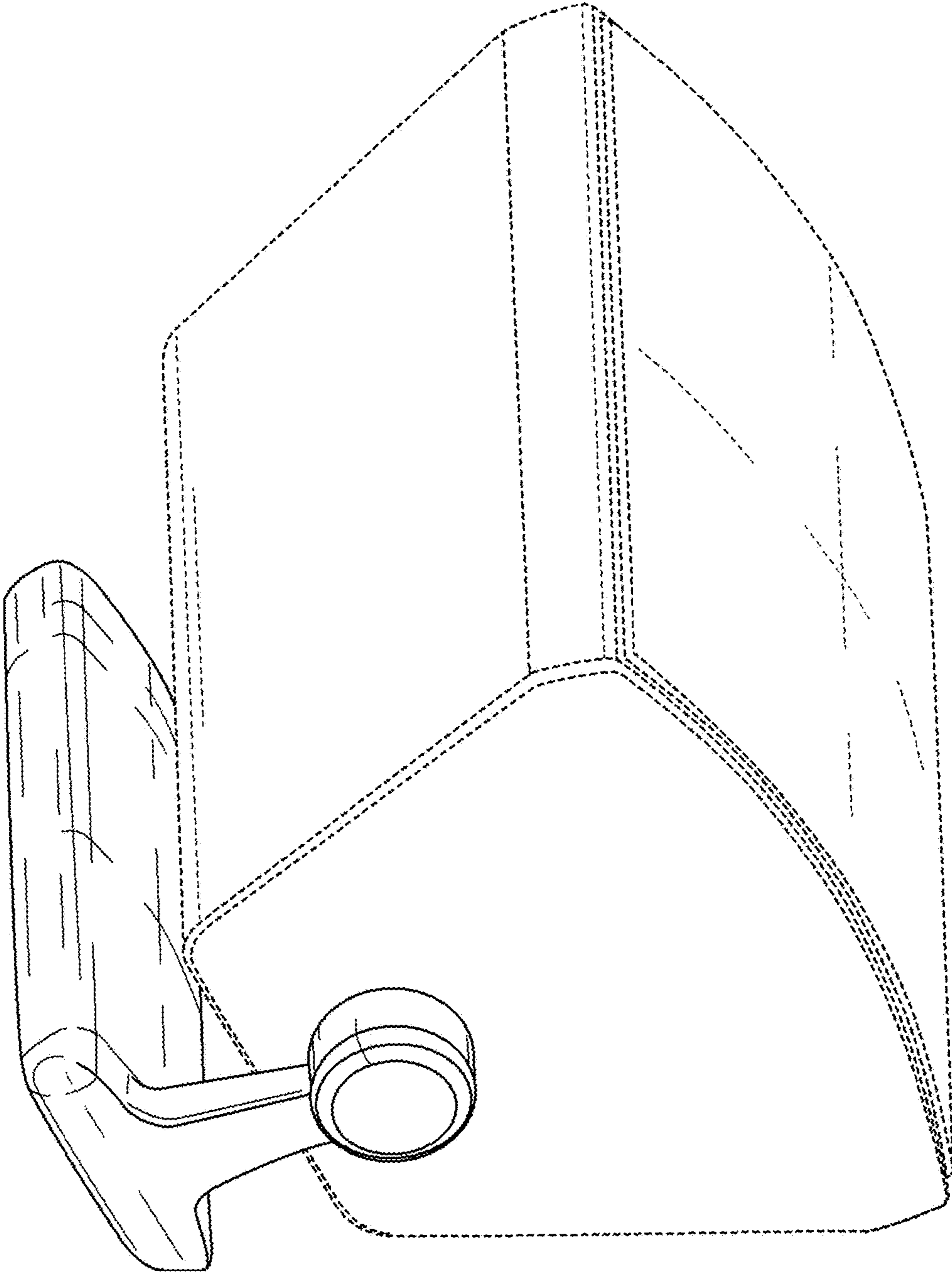


FIGURE 1

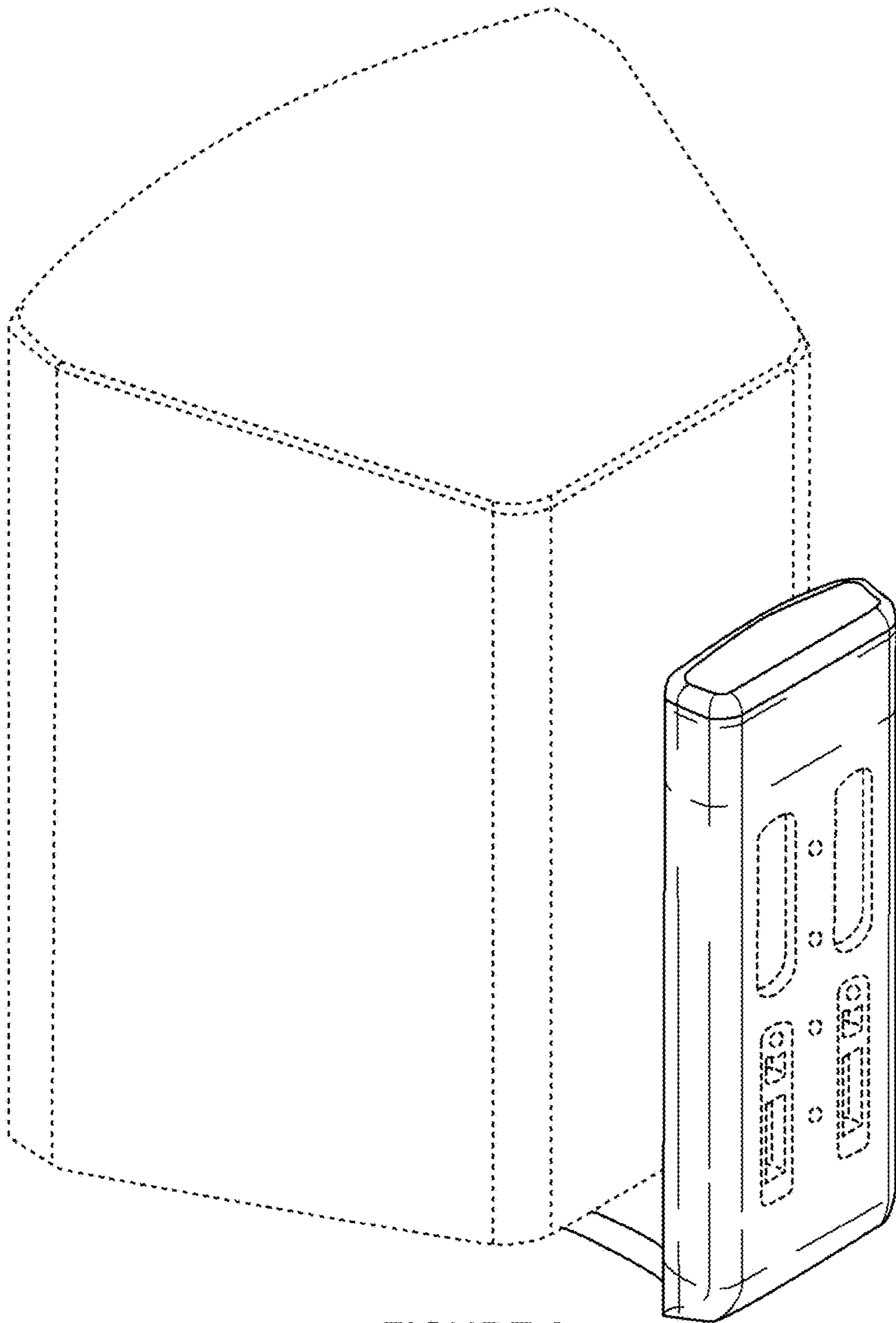


FIGURE 2

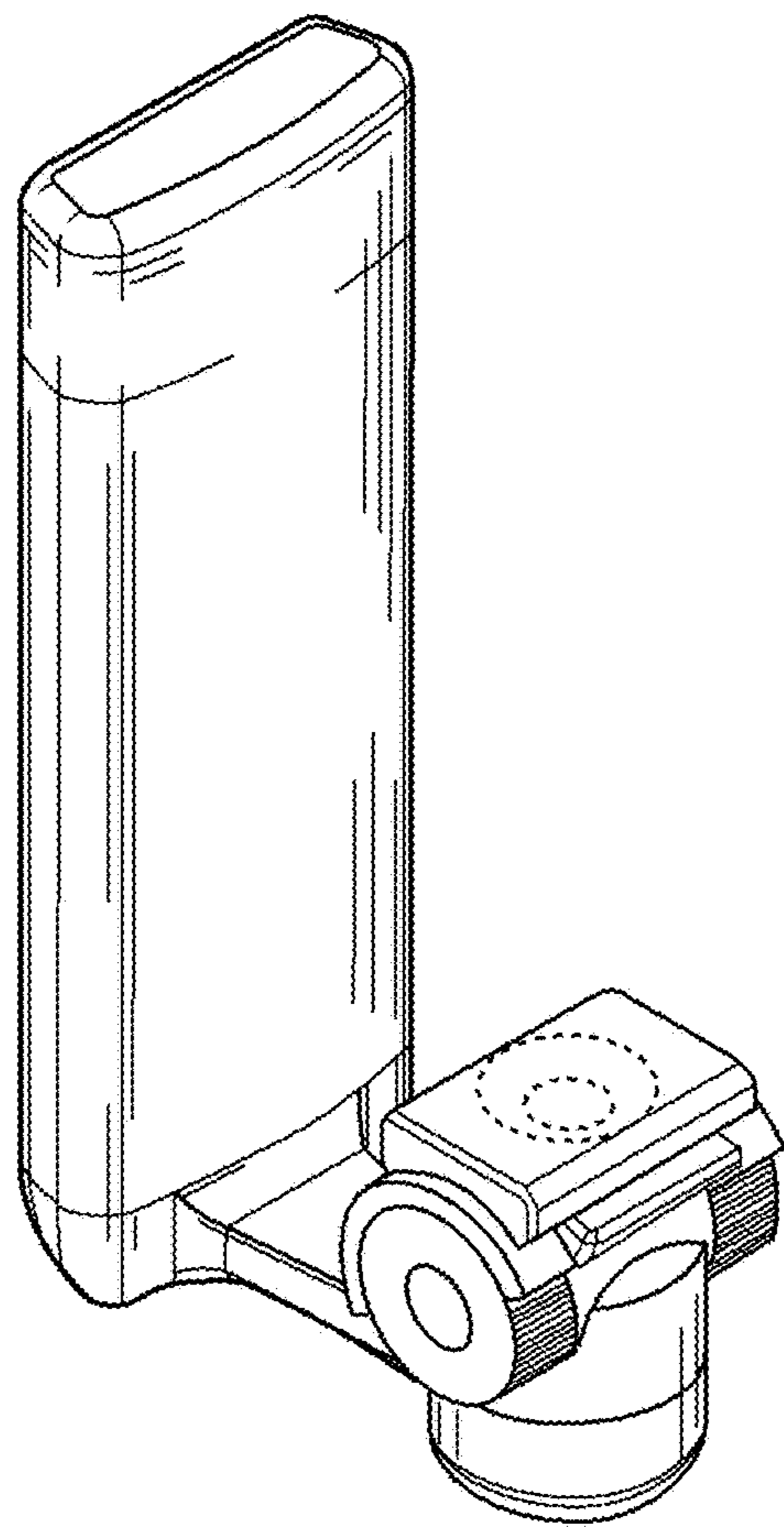


FIGURE 3

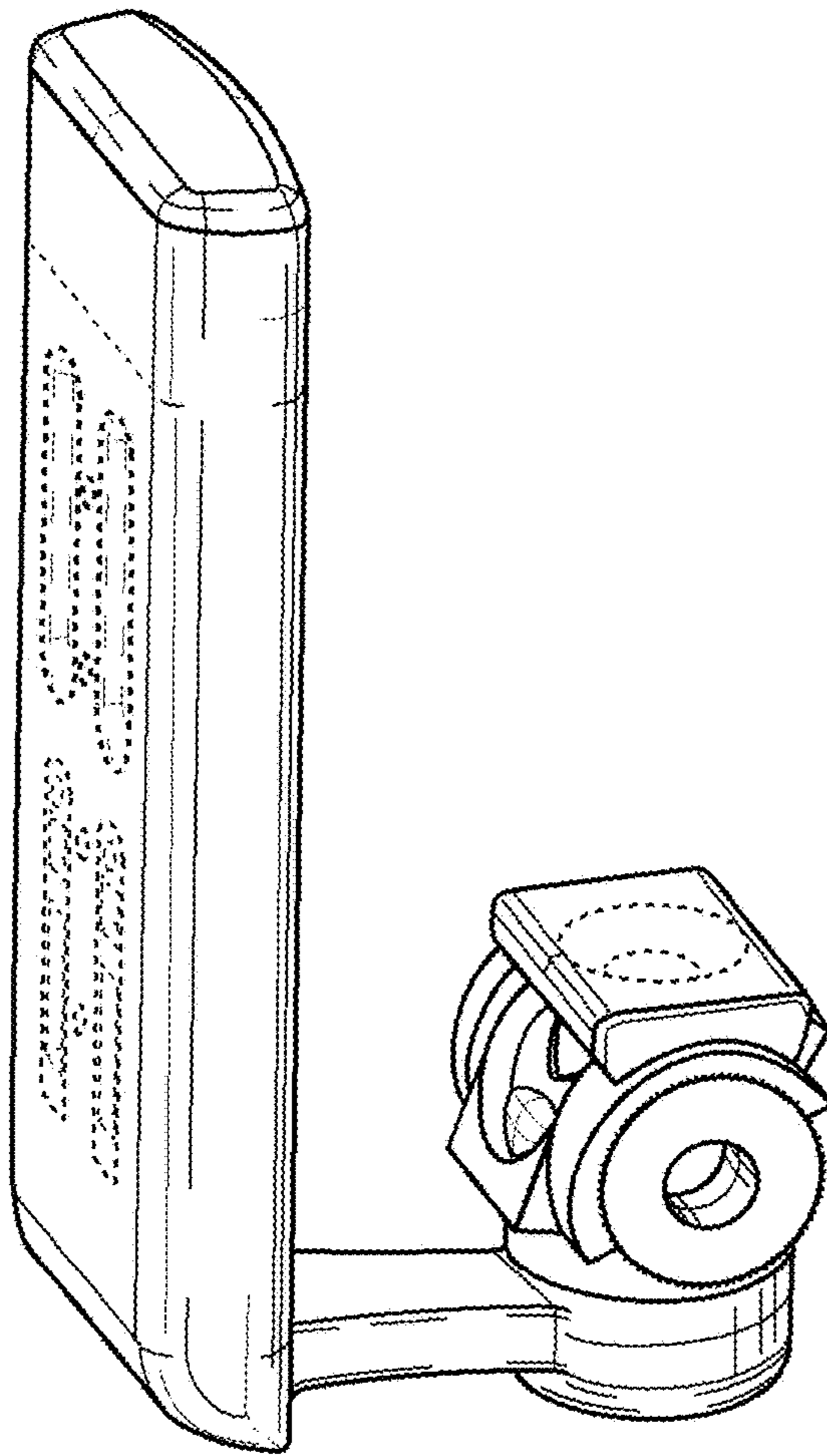


FIGURE 4

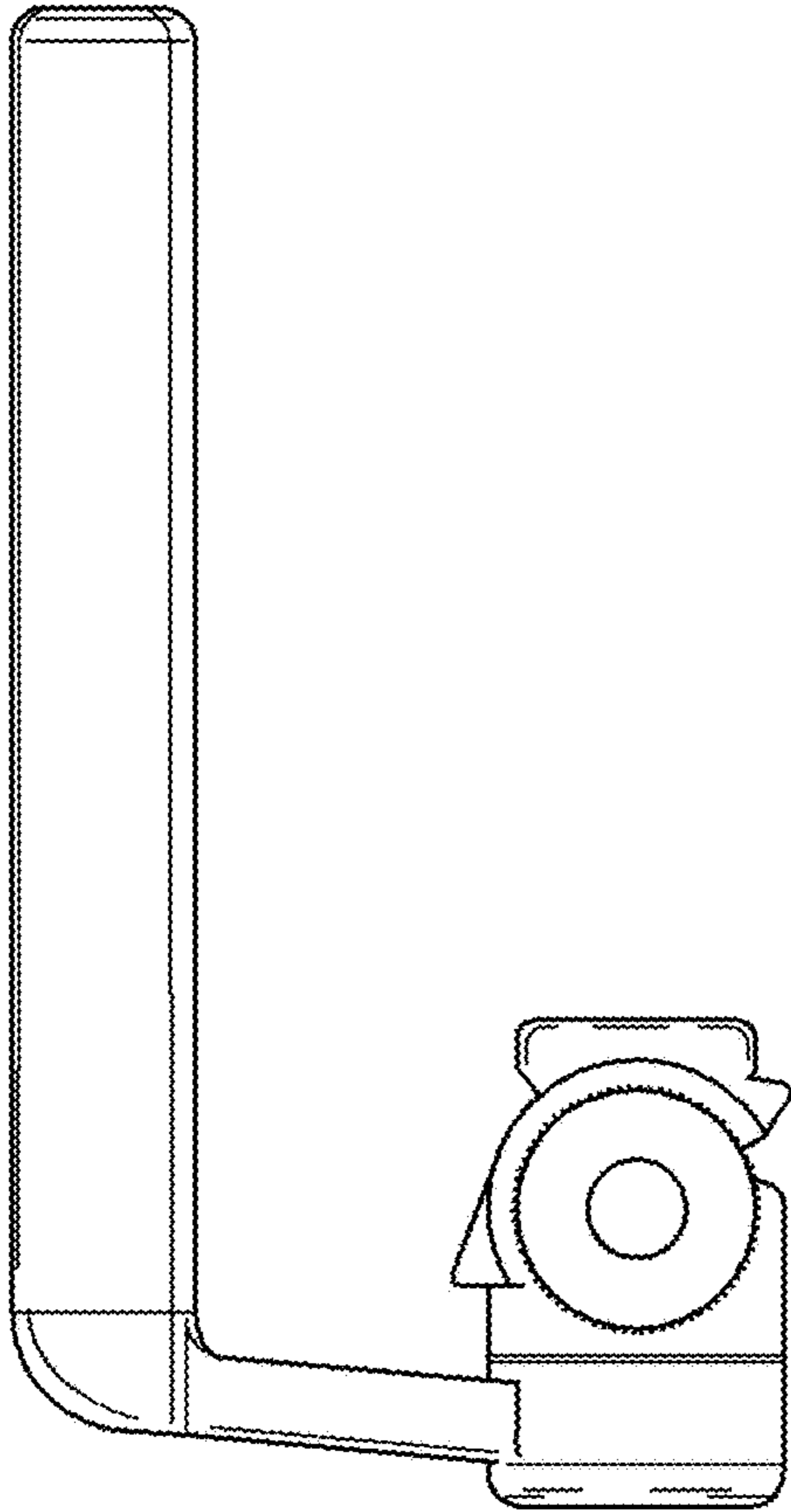


FIGURE 5

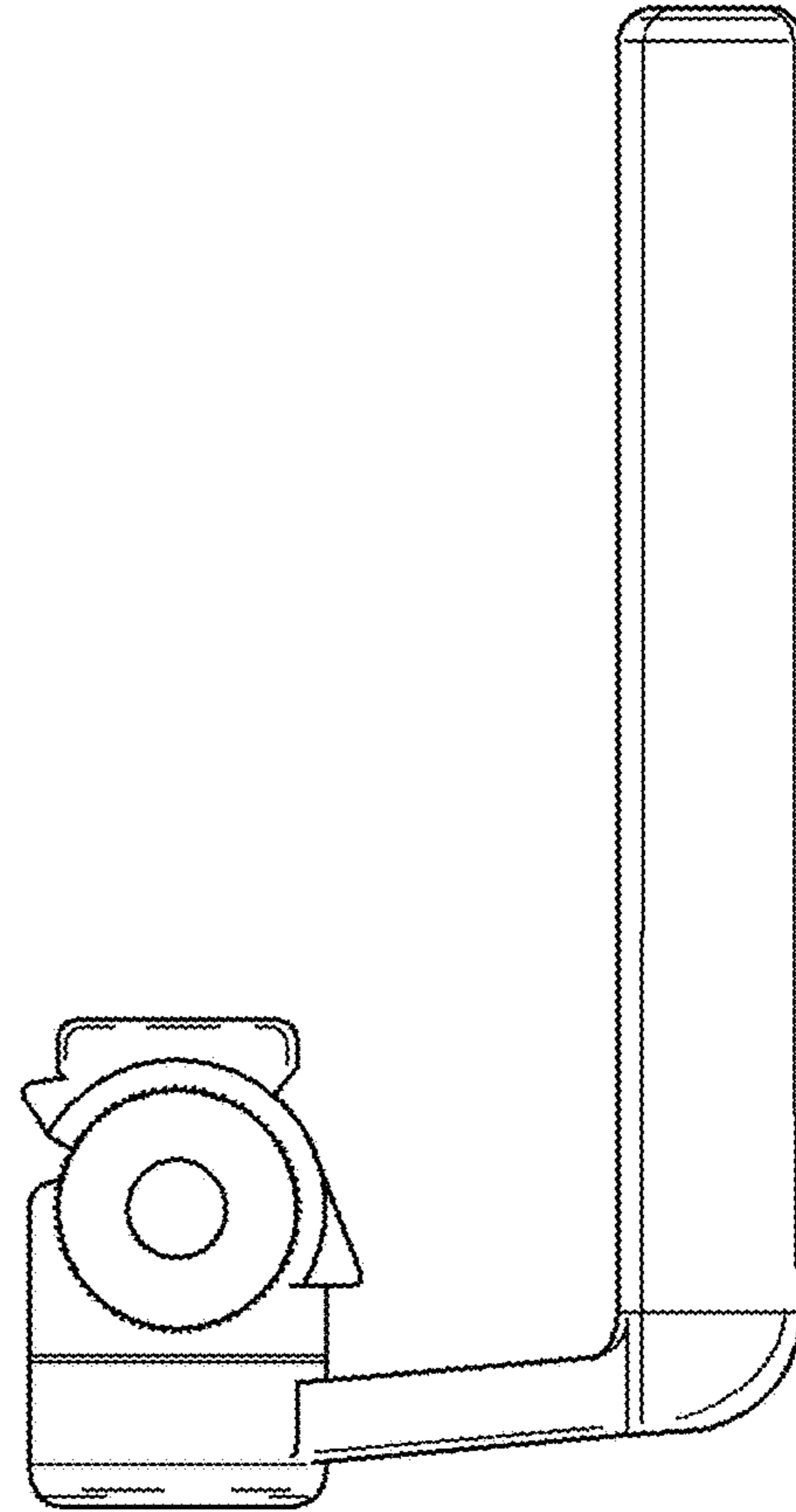


FIGURE 6

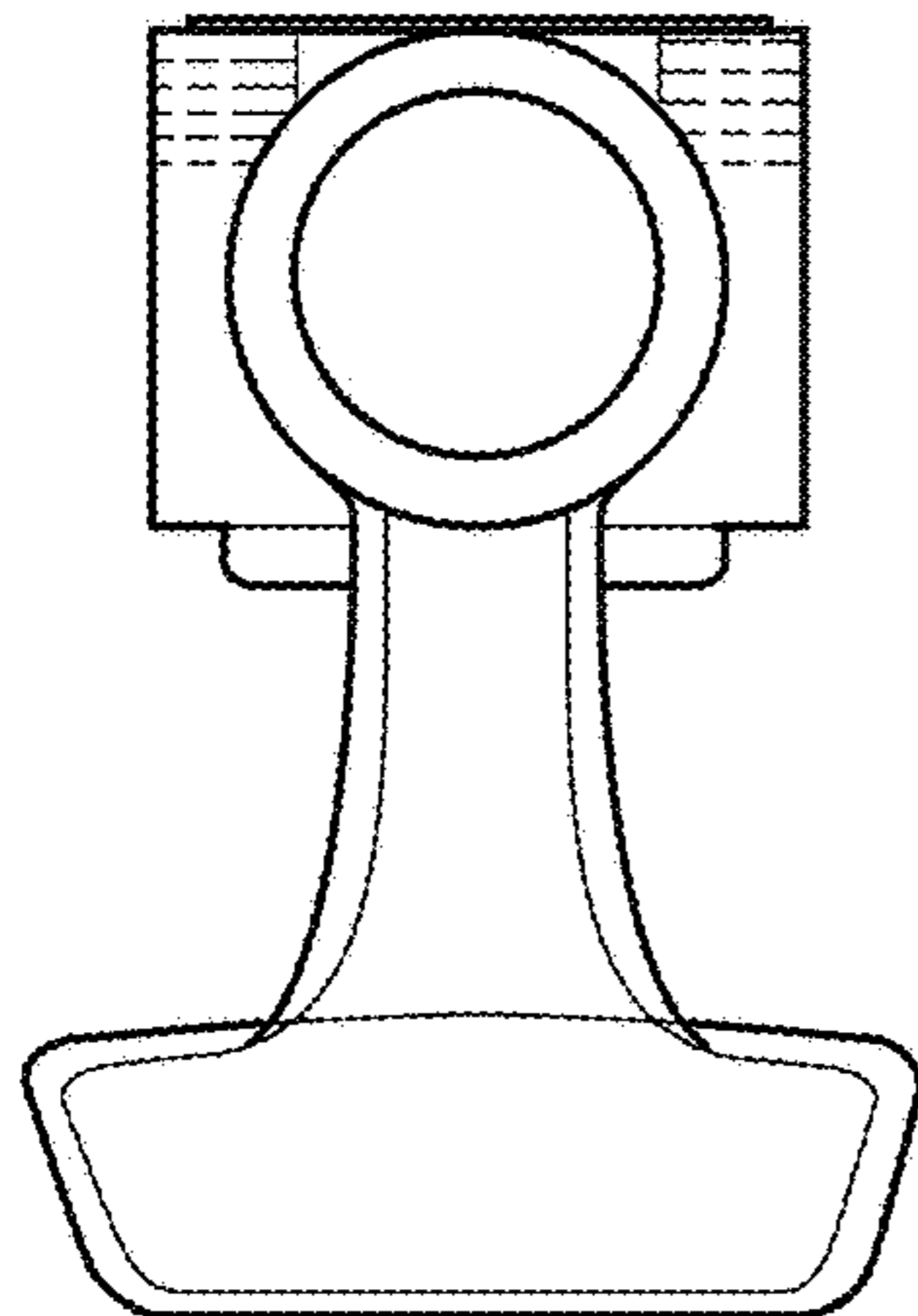


FIGURE 7

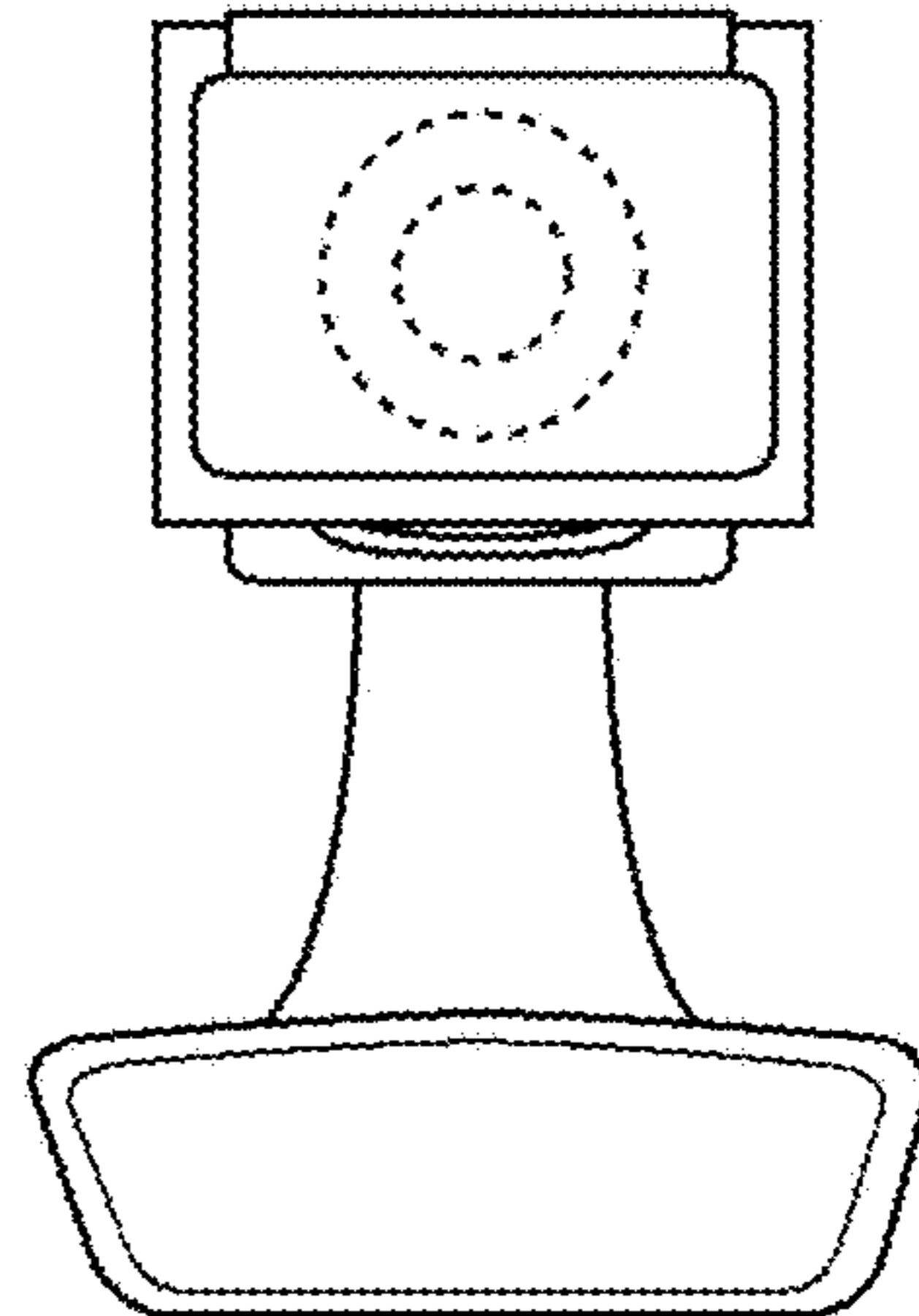


FIGURE 8

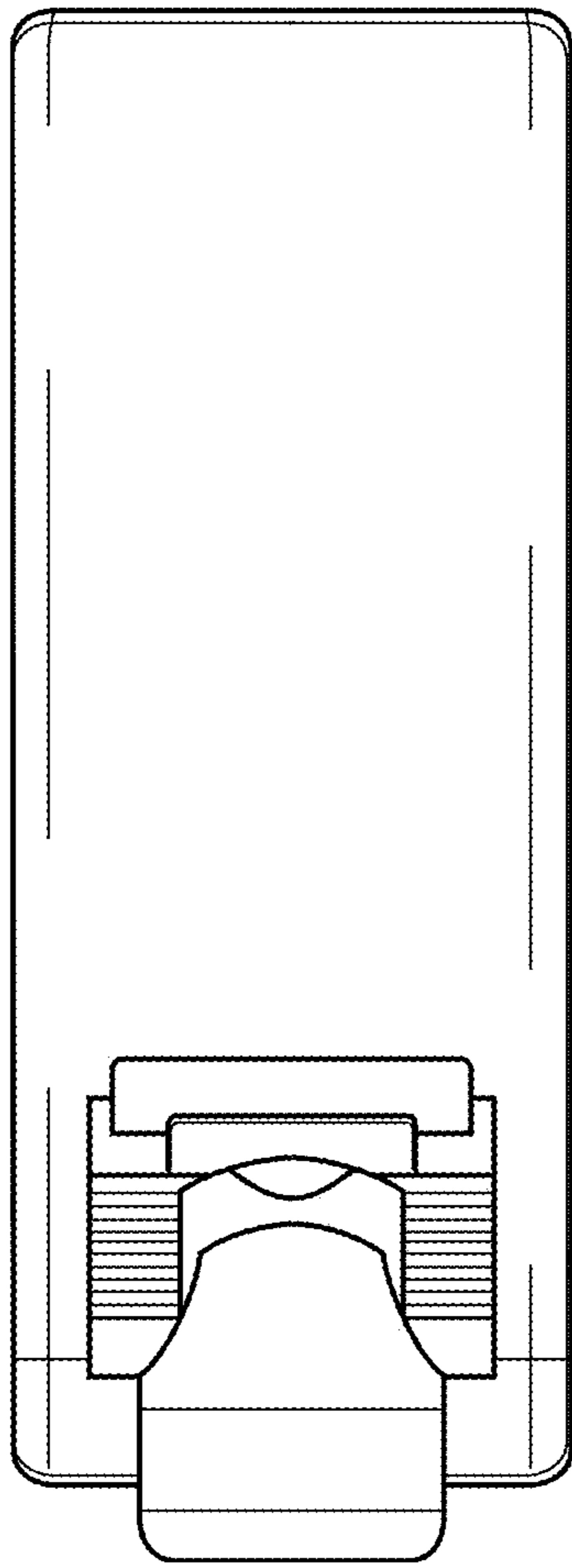


FIGURE 9

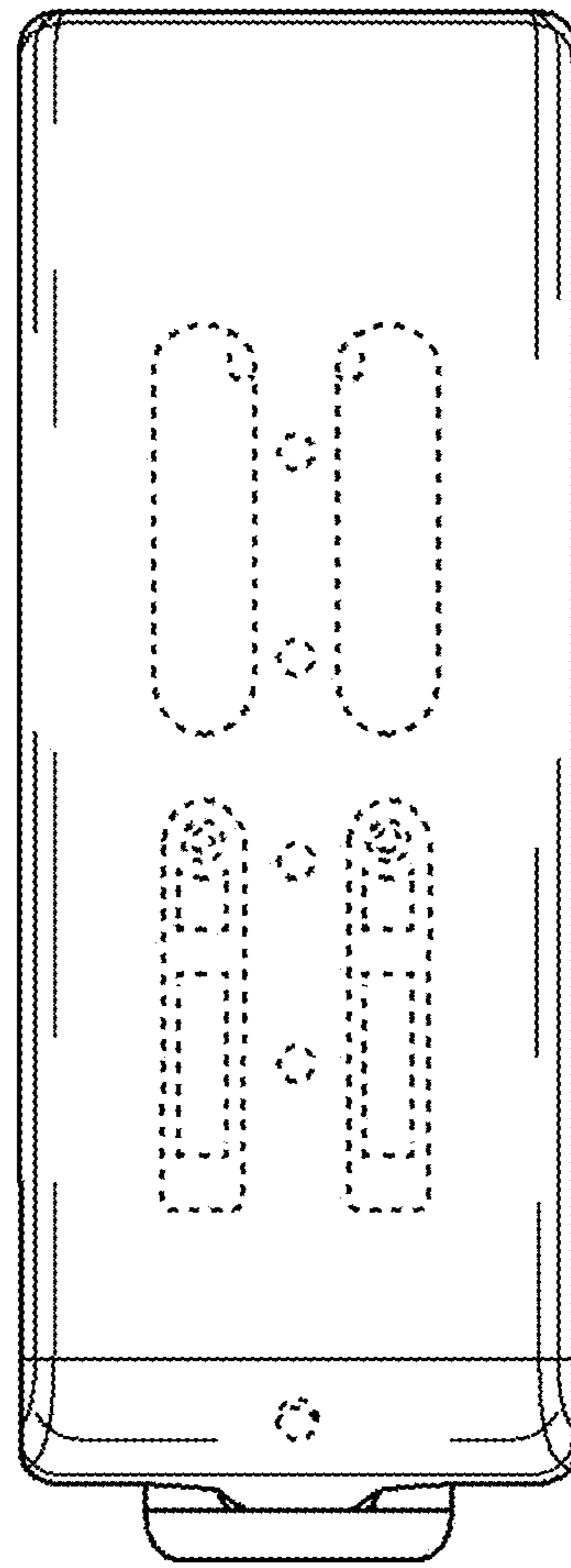


FIGURE 10

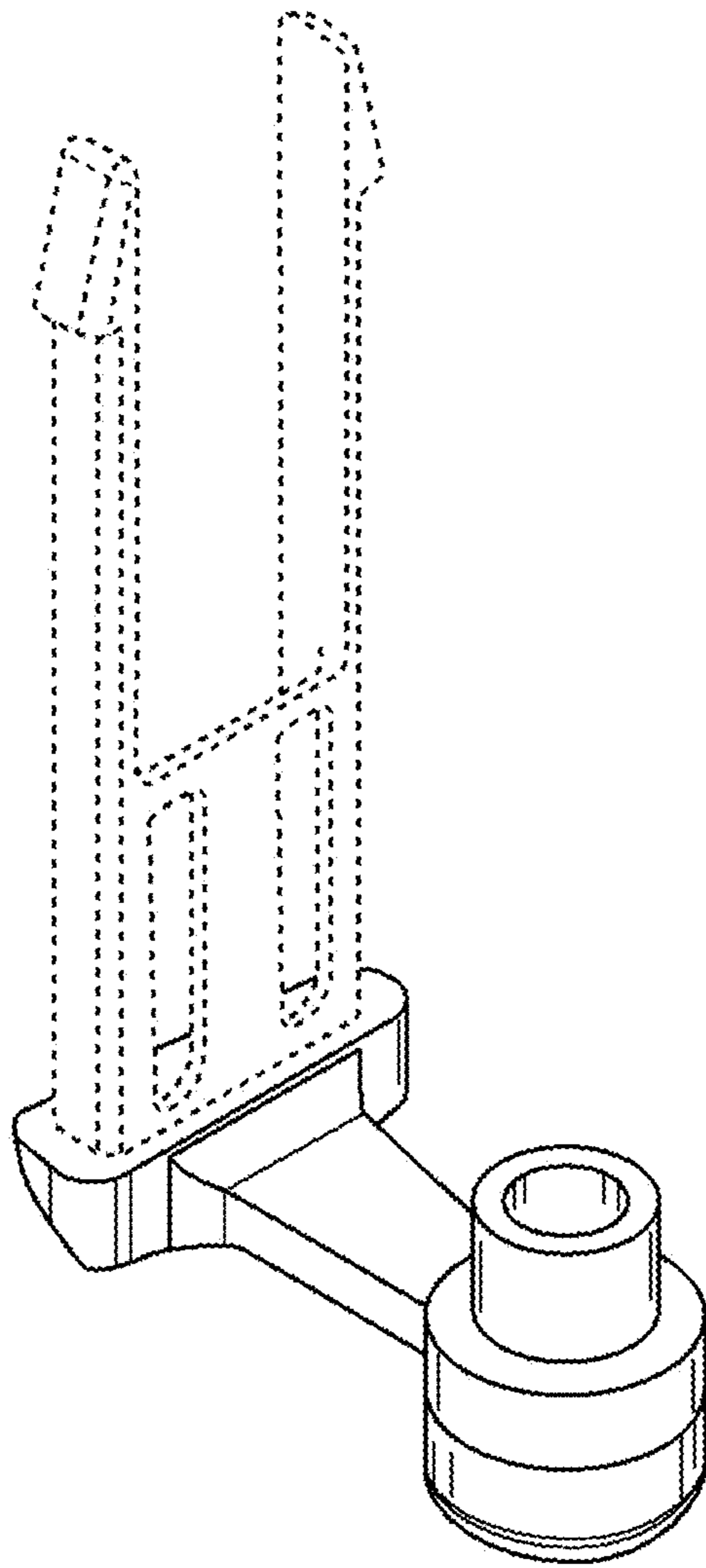


FIGURE 11