



US00D825533S

(12) **United States Design Patent**  
**Paschke et al.**

(10) **Patent No.:** **US D825,533 S**  
(45) **Date of Patent:** **\*\* Aug. 14, 2018**

(54) **EAR BUD**  
(71) Applicant: **Fitbit, Inc.**, San Francisco, CA (US)  
(72) Inventors: **Brian Dennis Paschke**, San Francisco, CA (US); **Mark Woolhiser Huang**, Burlingame, CA (US); **Gregoire Ludovic Vincent Vandebussche**, San Francisco, CA (US); **Jonah Avram Becker**, San Francisco, CA (US); **Derek Jenchia Loh**, San Carlos, CA (US); **Bernhard Wildner**, San Francisco, CA (US)

(73) Assignee: **Fitbit, Inc.**, San Francisco, CA (US)

(\*\*) Term: **15 Years**

(21) Appl. No.: **29/579,652**

(22) Filed: **Sep. 30, 2016**

**Related U.S. Application Data**

(63) Continuation of application No. 29/579,651, filed on Sep. 30, 2016.

(51) **LOC (11) Cl.** ..... **14-01**

(52) **U.S. Cl.**  
USPC ..... **D14/223**; D14/205

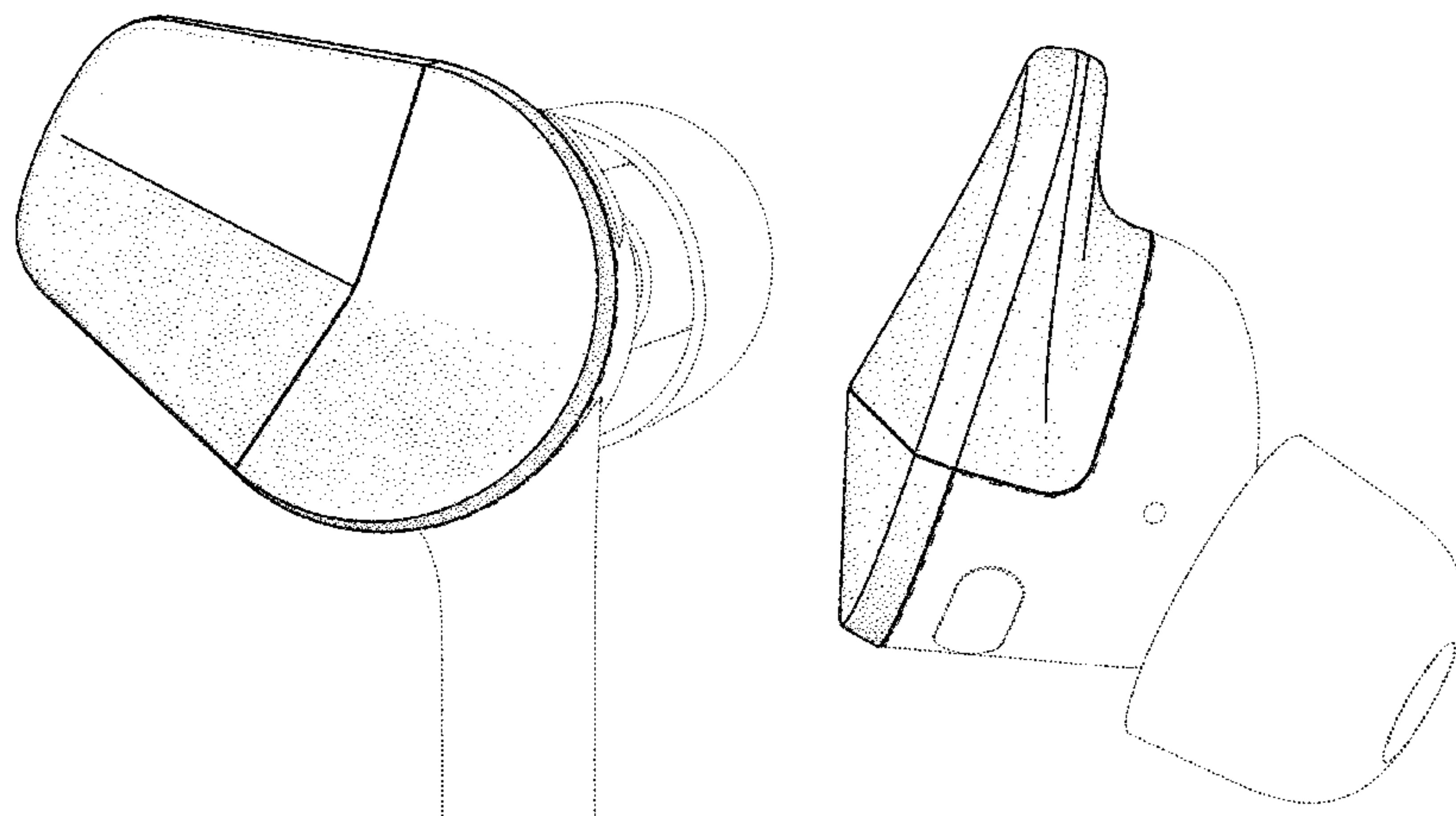
(58) **Field of Classification Search**  
USPC ..... D14/223, 205; 181/129, 130, 135; 379/430, 431; 381/380, 381; 455/90.3, 455/575.1, 569.1; 128/864, 866, 867  
CPC ..... H04R 1/10; H04R 25/00; H04R 1/1016; H04R 1/105  
See application file for complete search history.

(56) **References Cited**

**U.S. PATENT DOCUMENTS**

1,528,080 A \* 3/1925 Scher ..... A61F 11/008  
181/133  
2,430,229 A 11/1947 Kelsey  
2,478,376 A \* 8/1949 De Swart ..... B42F 1/10  
24/562

D206,665 S \* 1/1967 Sanzone ..... D24/174  
D206,797 S \* 1/1967 Kusisto ..... 24/7  
3,440,365 A \* 4/1969 Hazell ..... H04M 1/05  
379/430  
D258,091 S 1/1981 Reed et al.  
D275,842 S 10/1984 Gilbert et al.  
4,579,112 A \* 4/1986 Scott ..... A61F 11/08  
128/864  
D317,593 S 6/1991 Rowen  
D326,655 S 6/1992 Iribe  
D339,806 S 9/1993 Grinkus  
D351,828 S 10/1994 Pucci et al.  
D366,262 S 1/1996 Inaba  
5,579,669 A \* 12/1996 Kind ..... A23G 3/563  
242/588.6  
5,659,156 A \* 8/1997 Mauney ..... H04R 1/1016  
181/130  
D395,891 S 7/1998 Gerba et al.  
D406,187 S 3/1999 Garcia-Gutierrez  
D409,510 S 5/1999 McDonald  
D415,496 S 10/1999 Gerba et al.  
D421,014 S 2/2000 Smith  
D424,577 S 5/2000 Backs et al.  
D427,994 S \* 7/2000 Pirelli ..... D14/223  
6,122,369 A 9/2000 Hwang et al.  
6,122,388 A \* 9/2000 Feldman ..... H04R 25/604  
381/322  
D435,580 S 12/2000 Grinkus  
D439,574 S 3/2001 Katayama  
6,386,314 B1 \* 5/2002 Sheehan ..... A61B 5/12  
181/129  
6,482,516 B1 11/2002 Sadek et al.  
D483,281 S 12/2003 Cobigo  
D496,638 S 9/2004 Deubler, Jr.  
D500,485 S 1/2005 Deguchi  
D511,768 S 11/2005 Naito et al.  
D532,520 S 11/2006 Kampmeier et al.  
D535,642 S 1/2007 Garcia et al.  
D550,202 S 9/2007 Meier et al.  
D557,624 S 12/2007 Coster et al.  
D565,033 S \* 3/2008 Goransson ..... D14/223  
D566,537 S \* 4/2008 Wen-Po ..... D8/395  
D569,841 S 5/2008 Chung et al.  
D572,703 S 7/2008 Ledbetter et al.  
D575,277 S \* 8/2008 Gaarde ..... D14/205  
D578,508 S 10/2008 Wang  
D584,284 S 1/2009 Carr et al.  
D591,274 S \* 4/2009 Khubani ..... D14/223  
D594,442 S 6/2009 Chon et al.  
D597,084 S \* 7/2009 Gondo ..... D14/223  
D599,778 S 9/2009 Ando  
D604,269 S 11/2009 Choe  
D604,722 S \* 11/2009 Misty ..... D14/223





D605,170	S	12/2009	Keinanen	
D605,628	S	12/2009	Ando	
D637,183	S *	5/2011	March .....	D14/223
D640,242	S *	6/2011	Fahrendorff .....	D14/223
D641,010	S *	7/2011	Kwon .....	D14/223
D643,830	S	8/2011	Fish	
D647,081	S	10/2011	Kwon	
D649,957	S *	12/2011	Fahrendorff .....	D14/223
D652,822	S *	1/2012	Lee .....	D14/223
D658,157	S *	4/2012	McManigal .....	D14/205
8,175,315	B2	5/2012	Tanaka et al.	
D666,580	S	9/2012	Lee et al.	
D668,244	S *	10/2012	Matsumura .....	D14/223
D671,523	S	11/2012	Daniel	
D673,140	S *	12/2012	Kelly .....	D14/223
D673,531	S *	1/2013	Lee .....	D14/223
D698,026	S *	1/2014	Kuwata .....	D24/174
D698,750	S	2/2014	Yoon	
8,743,533	B2	6/2014	Stanley	
D711,356	S	8/2014	Yang	
D712,884	S	9/2014	Krauss et al.	
D722,040	S	2/2015	Tan et al.	
D725,625	S	3/2015	Hsieh et al.	
D726,145	S	4/2015	Hsieh et al.	
D727,871	S	4/2015	Orbach	
D732,509	S *	6/2015	Brunner .....	H04R 25/00 D14/223
D739,852	S	9/2015	Jiang et al.	
D742,861	S *	11/2015	Miyake .....	D14/223
D743,381	S	11/2015	Pi et al.	
D743,949	S *	11/2015	Miyake .....	D14/223
D745,489	S	12/2015	Bjelle	
D756,959	S	5/2016	Lee et al.	
D764,445	S *	8/2016	Czaniecki .....	D14/223
D767,532	S	9/2016	Jen	
D774,490	S	12/2016	Lin	
D775,609	S *	1/2017	Lee .....	D14/223
D776,641	S *	1/2017	Rochat .....	D14/223
D776,642	S *	1/2017	Otani .....	D14/223
D780,154	S *	2/2017	Jaynes .....	D14/205
D780,714	S	3/2017	Vogt, Jr. et al.	
D780,721	S *	3/2017	Brunner .....	D14/223
D786,216	S	5/2017	Silva et al.	
D788,603	S	6/2017	Liu	
D790,501	S	6/2017	Wang	
D795,109	S	8/2017	Olodort et al.	
D797,079	S *	9/2017	Houle .....	D14/223
D817,920	S	5/2018	Paschke et al.	
D818,457	S	5/2018	Paschke et al.	
2007/0116319	A1 *	5/2007	Hagberg .....	H04R 1/1016 381/380
2009/0181082	A1	7/2009	Zuniga et al.	
2009/0296975	A1	12/2009	Uchida et al.	
2011/0155147	A1 *	6/2011	McIntosh .....	A61F 11/08 128/864
2012/0087532	A1 *	4/2012	Yang .....	H04R 1/10 381/380
2013/0077815	A1	3/2013	Stephenson	
2016/0073186	A1	3/2016	Searl et al.	
2016/0261946	A1	9/2016	Chen	
2017/0094384	A1	3/2017	Trainer et al.	

OTHER PUBLICATIONS

U.S. Appl. No. 29/579,651, filed Sep. 30, 2016, Paschke et al.  
 U.S. Appl. No. 29/579,653, filed Sep. 30, 2016, Paschke et al.  
 U.S. Appl. No. 29/579,654, filed Sep. 30, 2016, Paschke et al.  
 Chinese Office Action [Brief Description in English], dated Jul. 27, 2017 issued in Application No. CN 201730098280.9.  
 U.S. Appl. No. 29/614,464, filed Aug. 18, 2017, Paschke et al.  
 U.S. Office Action, dated Sep. 6, 2017, issued in Design U.S. Appl. No. 29/579,651.  
 U.S. Office Action, dated Sep. 19, 2017, issued in Design U.S. Appl. No. 29/579,653.  
 U.S. Office Action, dated Sep. 15, 2017, issued in Design U.S. Appl. No. 29/579,654.

U.S. Notice of Allowance, dated Dec. 27, 2017, issued in Design U.S. Appl. No. 29/579,651.  
 U.S. Notice of Allowance, dated Jan. 25, 2018, issued in Design U.S. Appl. No. 29/579,653.  
 U.S. Ex Parte Quayle Action, dated Jan. 4, 2018, issued in Design U.S. Appl. No. 29/579,654.  
 U.S. Corrected Notice of Allowability, dated Apr. 11, 2018, issued in Design U.S. Appl. No. 29/579,651.  
 U.S. Corrected Notice of Allowability, dated Apr. 25, 2018, issued in Design U.S. Appl. No. 29/579,653.  
 Chinese Office Action [Brief Description in English], dated Apr. 18, 2018 issued in Application No. CN 201730685081.8.

\* cited by examiner

*Primary Examiner* — Paula Allen Greene  
 (74) *Attorney, Agent, or Firm* — Weaver Austin Villeneuve & Sampson LLP

(57) **CLAIM**

The ornamental design for ear bud, as shown and described.

**DESCRIPTION**

FIG. 1 is an isometric view of a first ear bud of a headset. FIG. 2 is a front view of the first ear bud of FIG. 1. FIG. 3 is a side view of the first ear bud of FIG. 1. FIG. 4 is an opposite side view of the first ear bud of FIG. 1. FIG. 5 is a back view of the first ear bud of FIG. 1. FIG. 6 is a top view of the first ear bud of FIG. 1. FIG. 7 is a bottom view of the first ear bud of FIG. 1. FIG. 8 is an off-angle view of the first ear bud of FIG. 1. FIG. 9 is another off-angle view of the first ear bud of FIG. 1. FIG. 10 is an isometric view of a second ear bud of the headset. FIG. 11 is a front view of the second ear bud of FIG. 10. FIG. 12 is a side view of the second ear bud of FIG. 10. FIG. 13 is an opposite side view of the second ear bud of FIG. 10. FIG. 14 is a back view of the second ear bud of FIG. 10. FIG. 15 is a top view of the second ear bud of FIG. 10. FIG. 16 is a bottom view of the second ear bud of FIG. 10. FIG. 17 is an off-angle view of the second ear bud of FIG. 10. FIG. 18 is another off-angle view of the second ear bud of FIG. 10. FIG. 19 is an exploded view of the first ear bud of FIG. 1 that features a gel cap (the annular-shaped piece), a wing (the pentagonal-shaped piece), and a bud; the gel cap and the wing are configured to be removable from the bud and the first ear bud, and the second ear bud are each configured to be placed at least partially inside a person's ear. FIG. 20 is another exploded view of the first ear bud of FIG. 1. FIG. 21 depicts an isometric view of the first ear bud of FIG. 1 with the gel cap removed; the cylindrical post that the gel cap normally mounts to is shorter in the following views than as depicted in FIGS. 19 and 20. FIG. 22 depicts a front view of the first ear bud of FIG. 21. FIG. 23 is a side view of the first ear bud of FIG. 21. FIG. 24 is an opposite side view of the first ear bud of FIG. 21. FIG. 25 is a back view of the first ear bud of FIG. 21. FIG. 26 is a top view of the first ear bud of FIG. 21.

FIG. 27 is a bottom view of the first ear bud of FIG. 21.  
FIG. 28 is an off-angle view of the first ear bud of FIG. 21.  
FIG. 29 is another off-angle view of the first ear bud of FIG. 21.  
FIG. 30 is an isometric view of the second ear bud of FIG. 10 with the gel cap removed.  
FIG. 31 is a front view of the second ear bud of FIG. 30.  
FIG. 32 is a side view of the second ear bud of FIG. 30.  
FIG. 33 is an opposite side view of the second ear bud of FIG. 30.  
FIG. 34 is a back view of the second ear bud of FIG. 30.  
FIG. 35 is a top view of the second ear bud of FIG. 30.  
FIG. 36 is a bottom view of the second ear bud of FIG. 30.  
FIG. 37 is an off-angle view of the second ear bud of FIG. 30; and,  
FIG. 38 is another off-angle view of the second ear bud of FIG. 30.

Each of the ear bud in the accompanying figures, i.e., a first ear bud and a second ear bud, may be a part of a headset that may be placed, i.e., worn, in a person's ear.

Stipple shading is used in the accompanying Figures to convey surface contouring and not texture. The broken lines shown in the drawings illustrate portions of the ear bud that form no part of the claimed design; in such unclaimed portions the shading has also been removed.

**1 Claim, 22 Drawing Sheets**

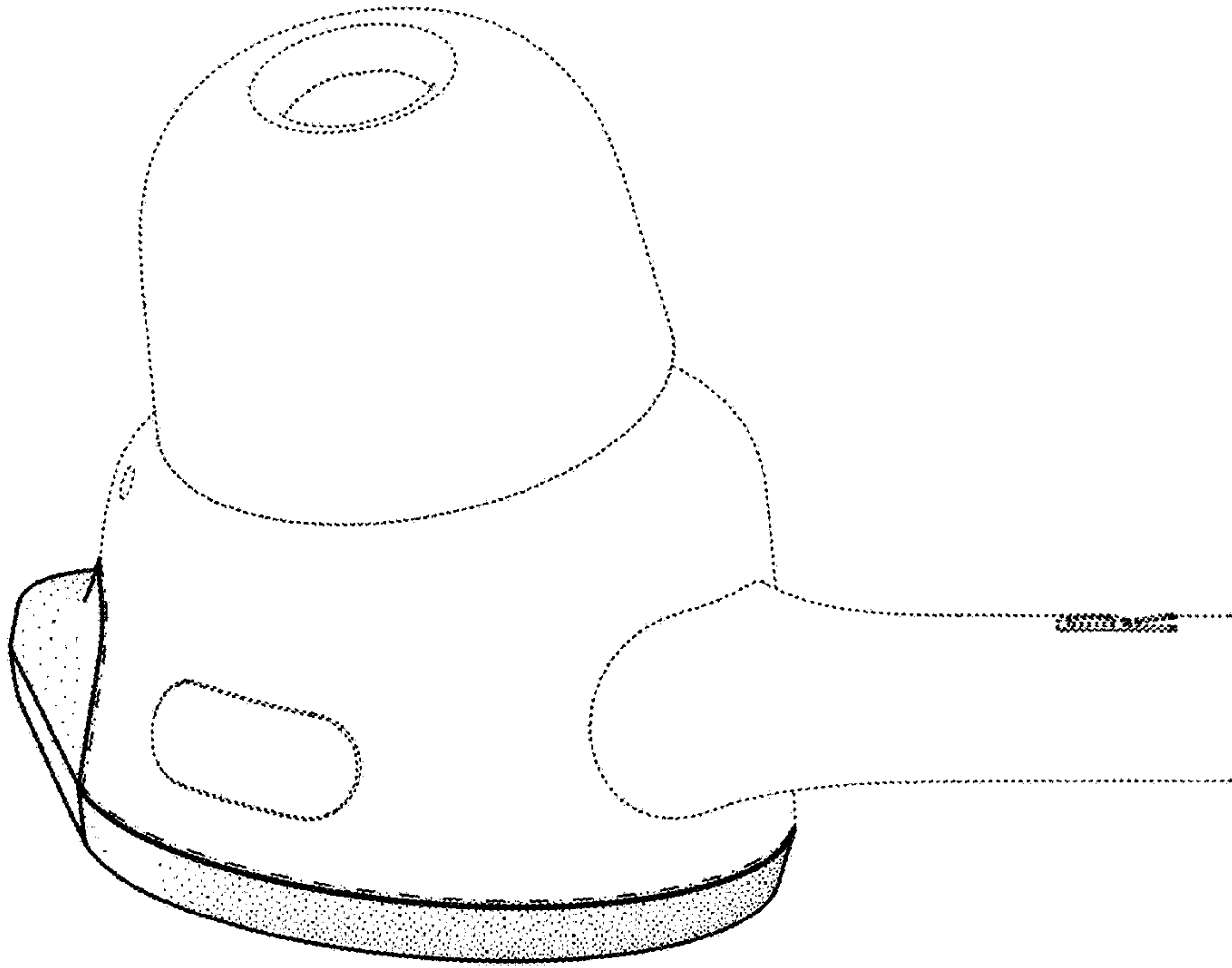


Figure 2

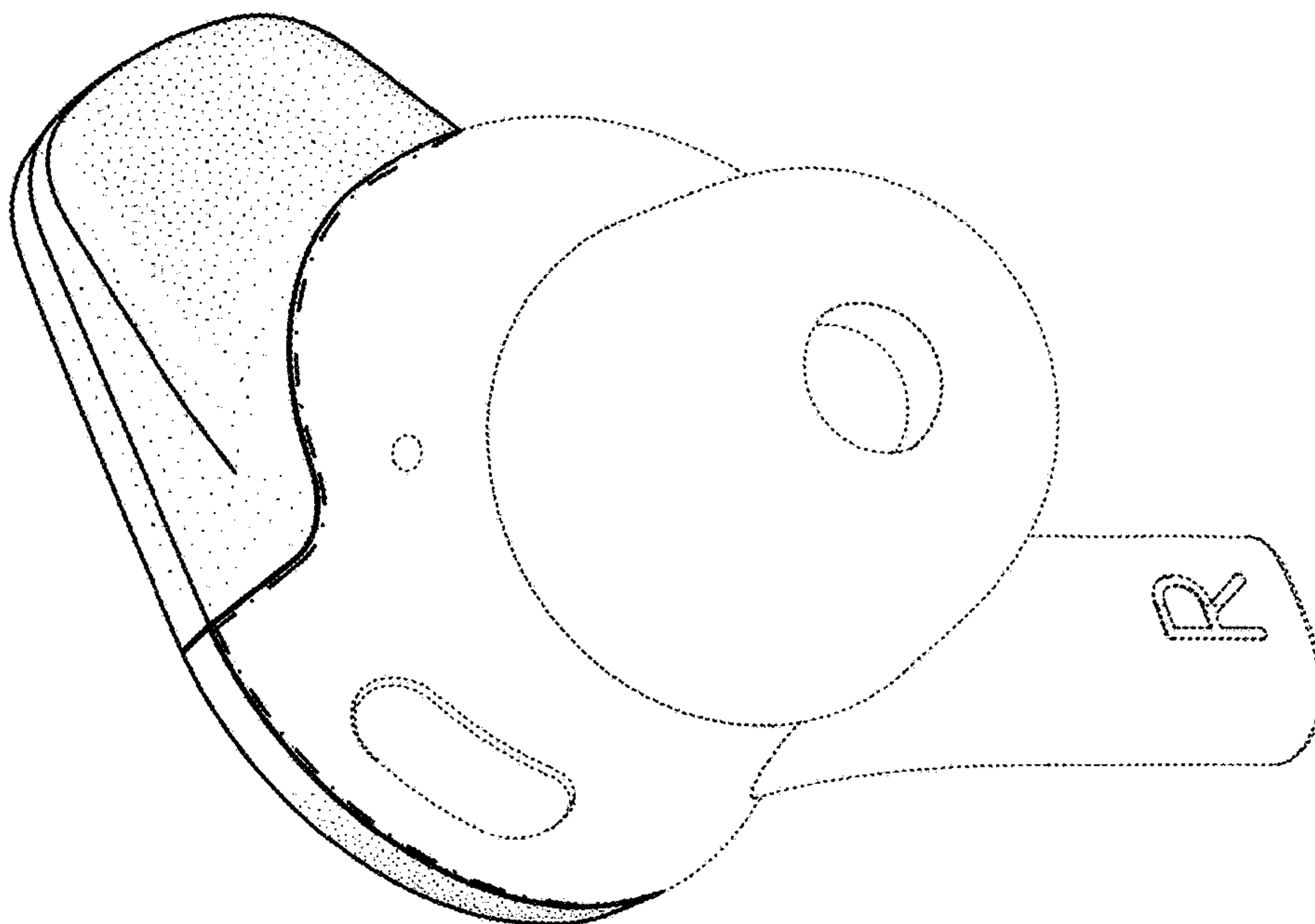


Figure 1



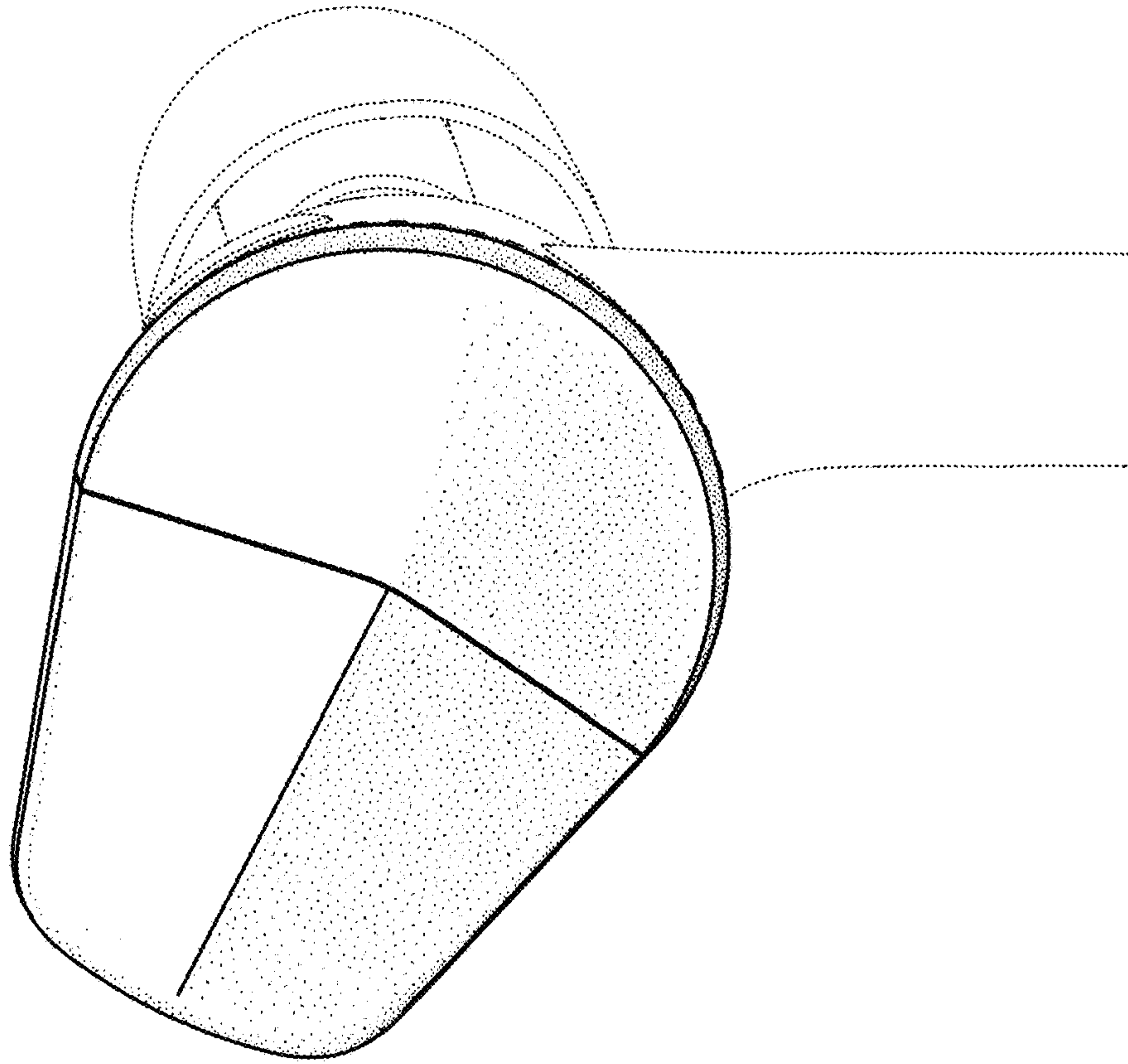


Figure 4

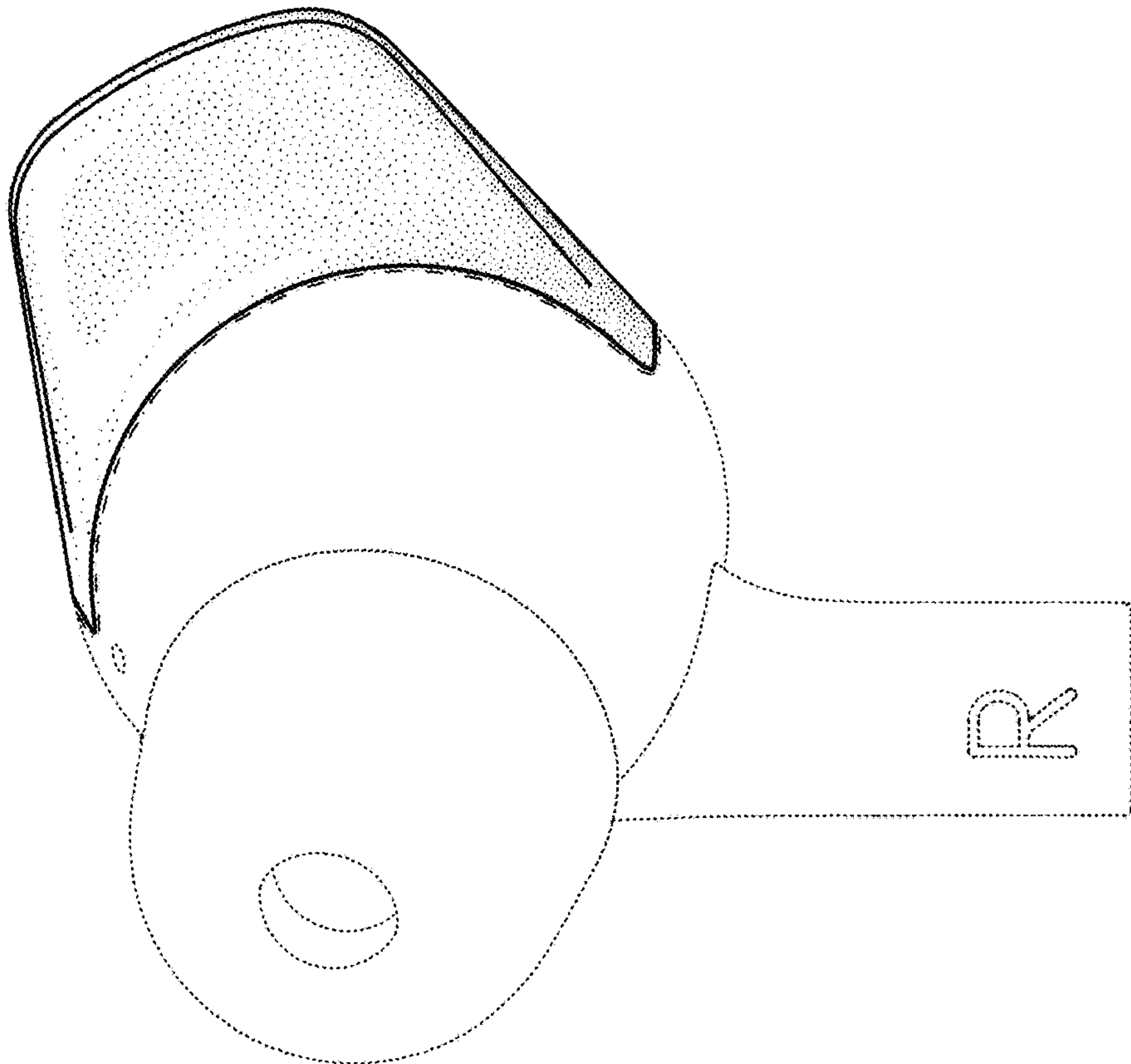


Figure 3

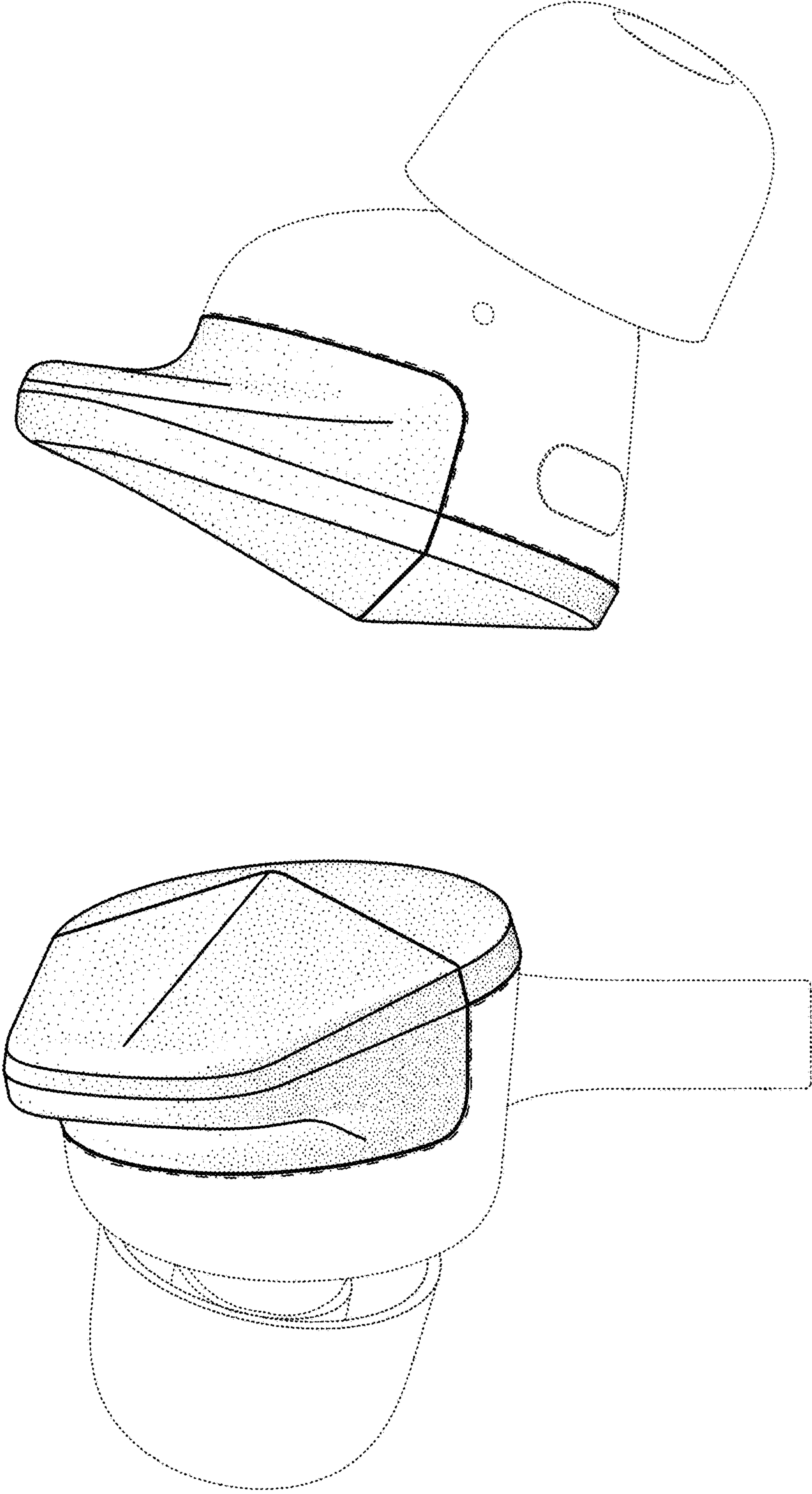


Figure 6

Figure 5

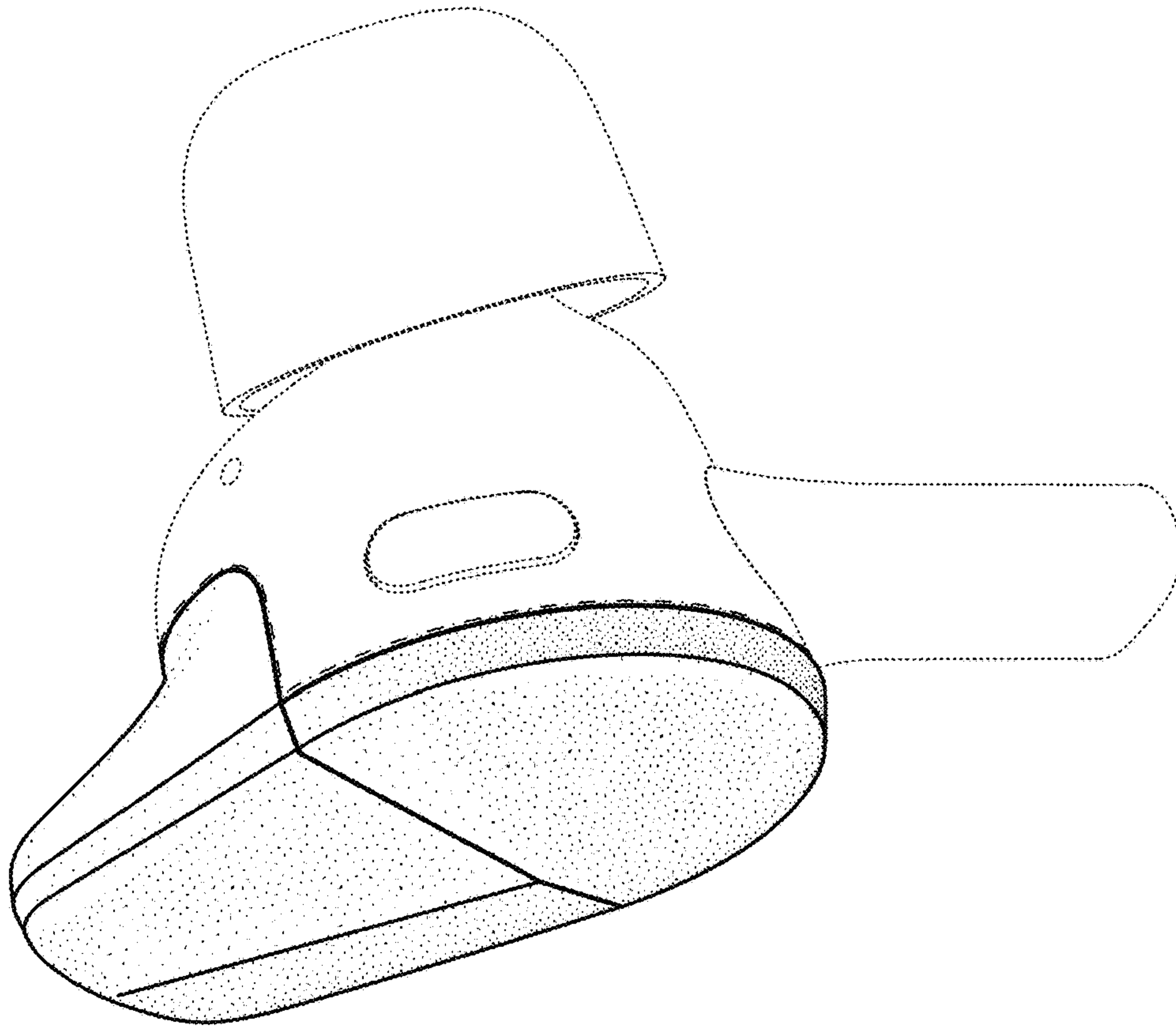


Figure 8

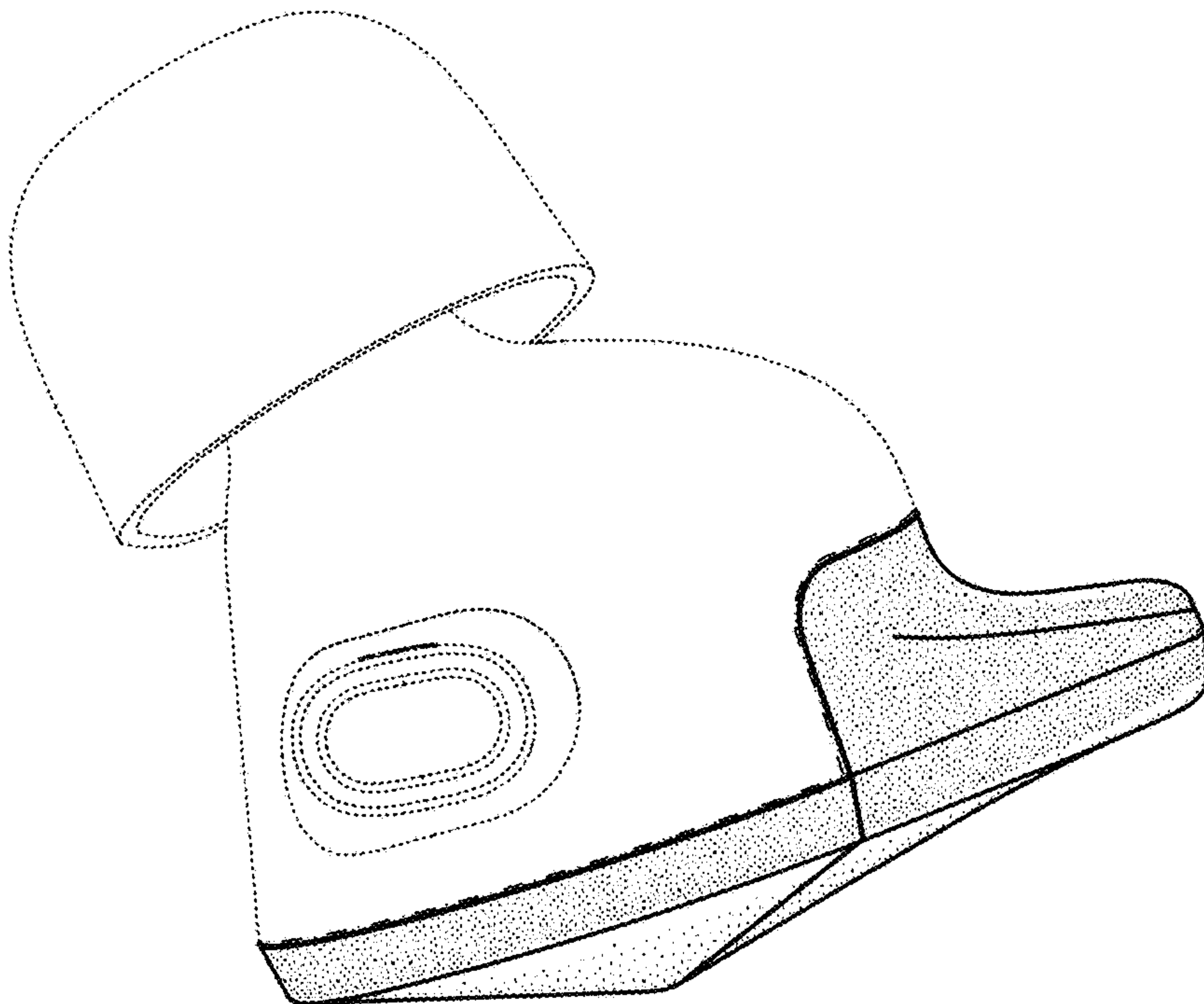


Figure 7

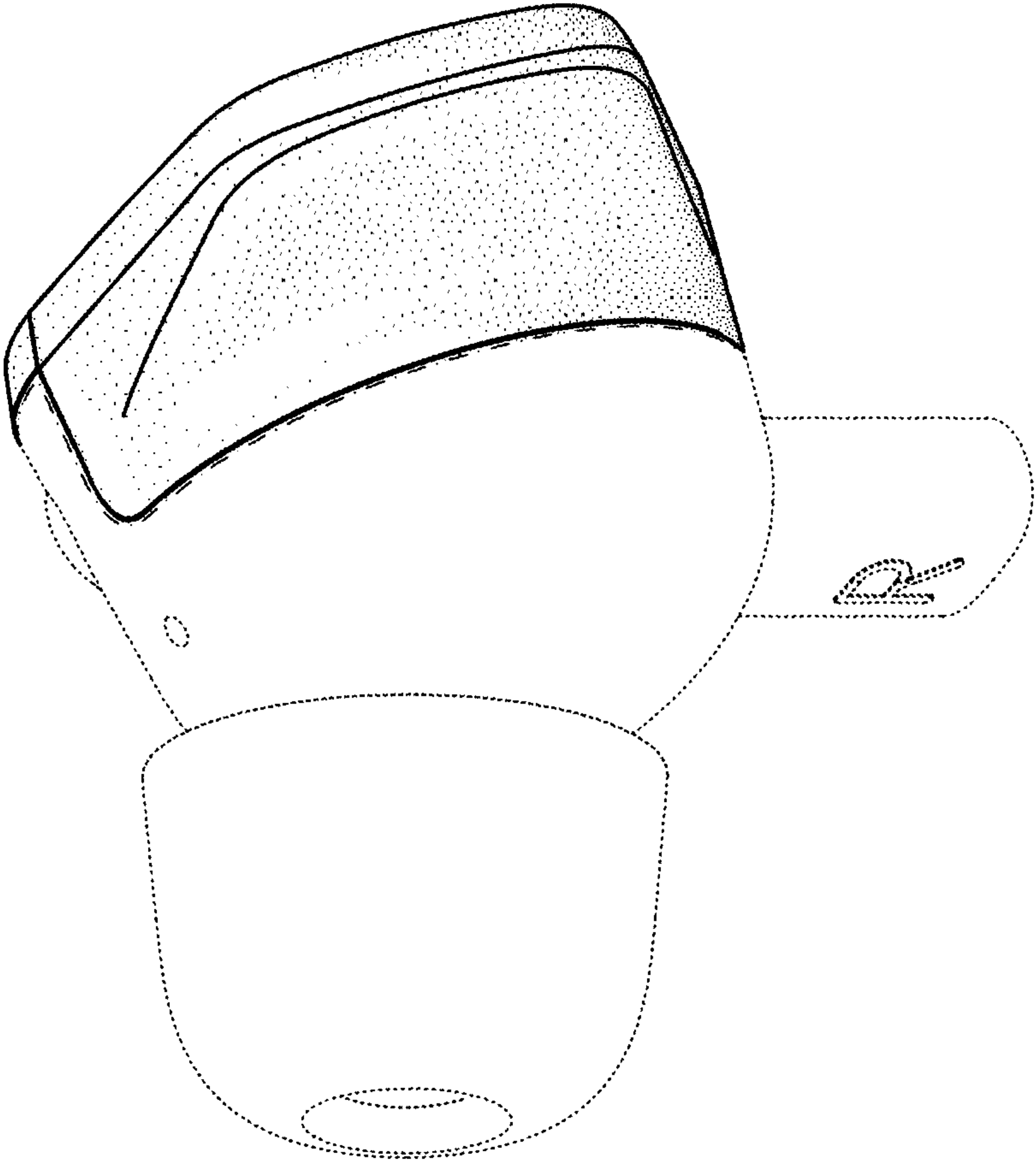


Figure 9



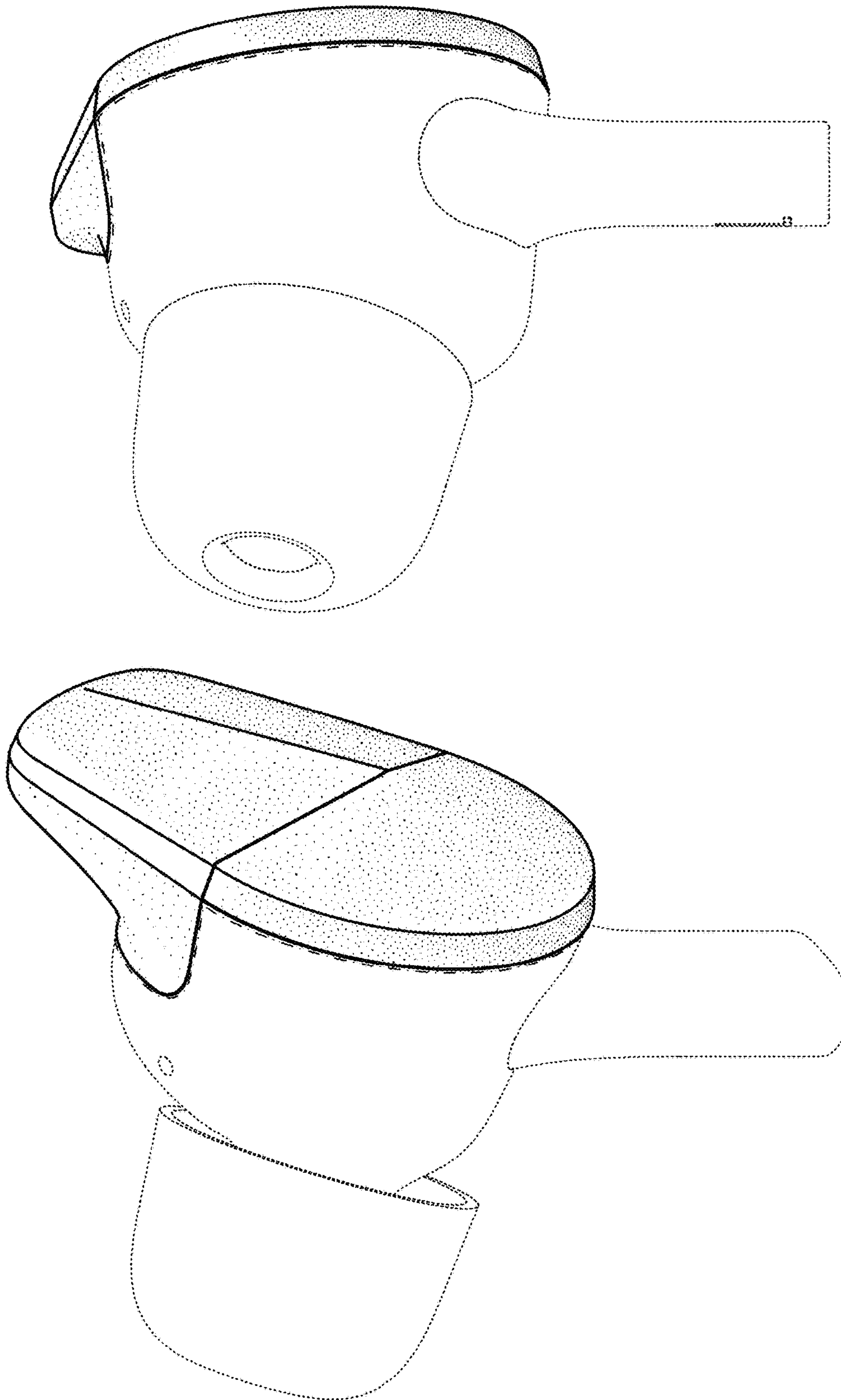


Figure 11

Figure 10

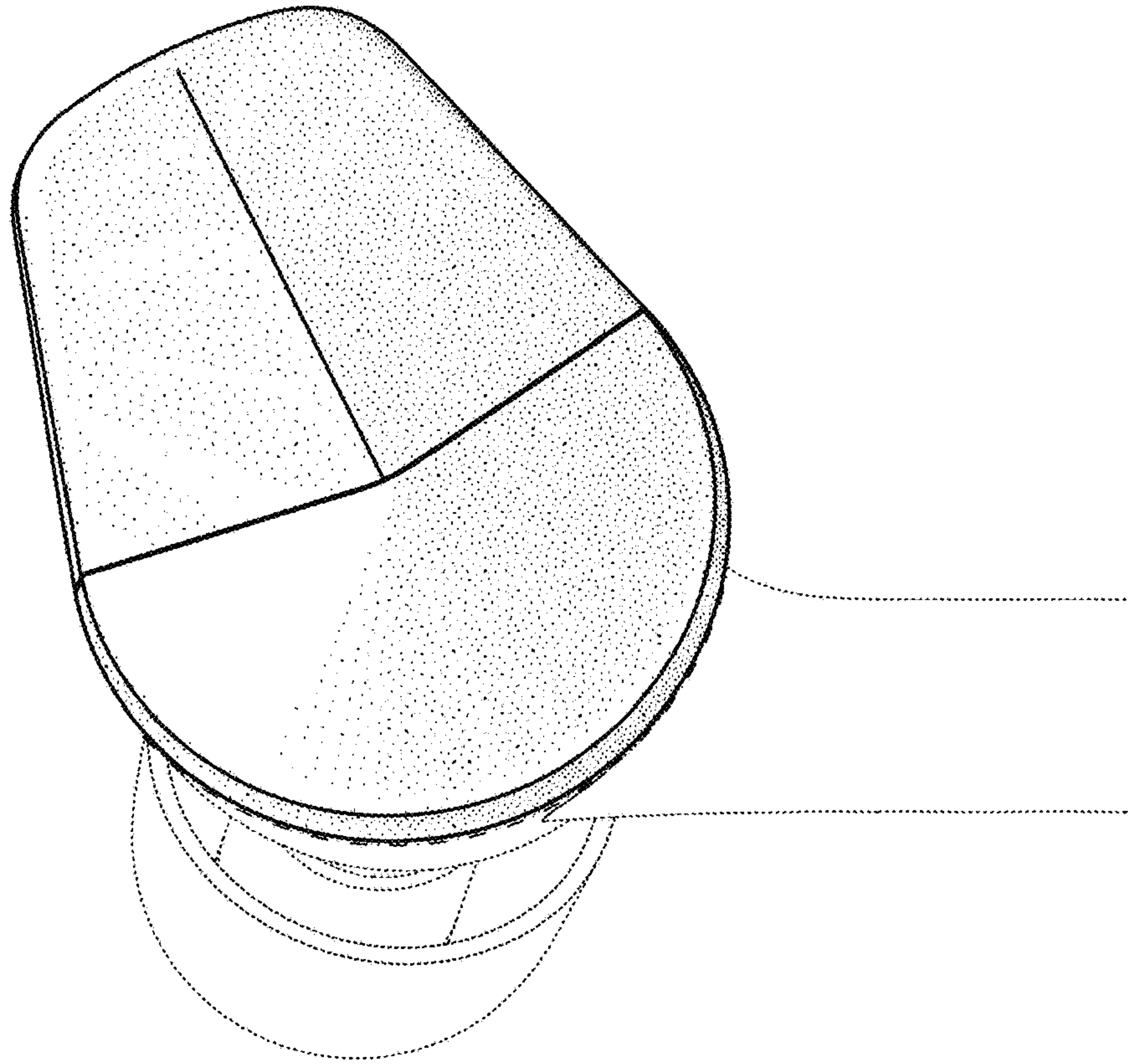


Figure 13

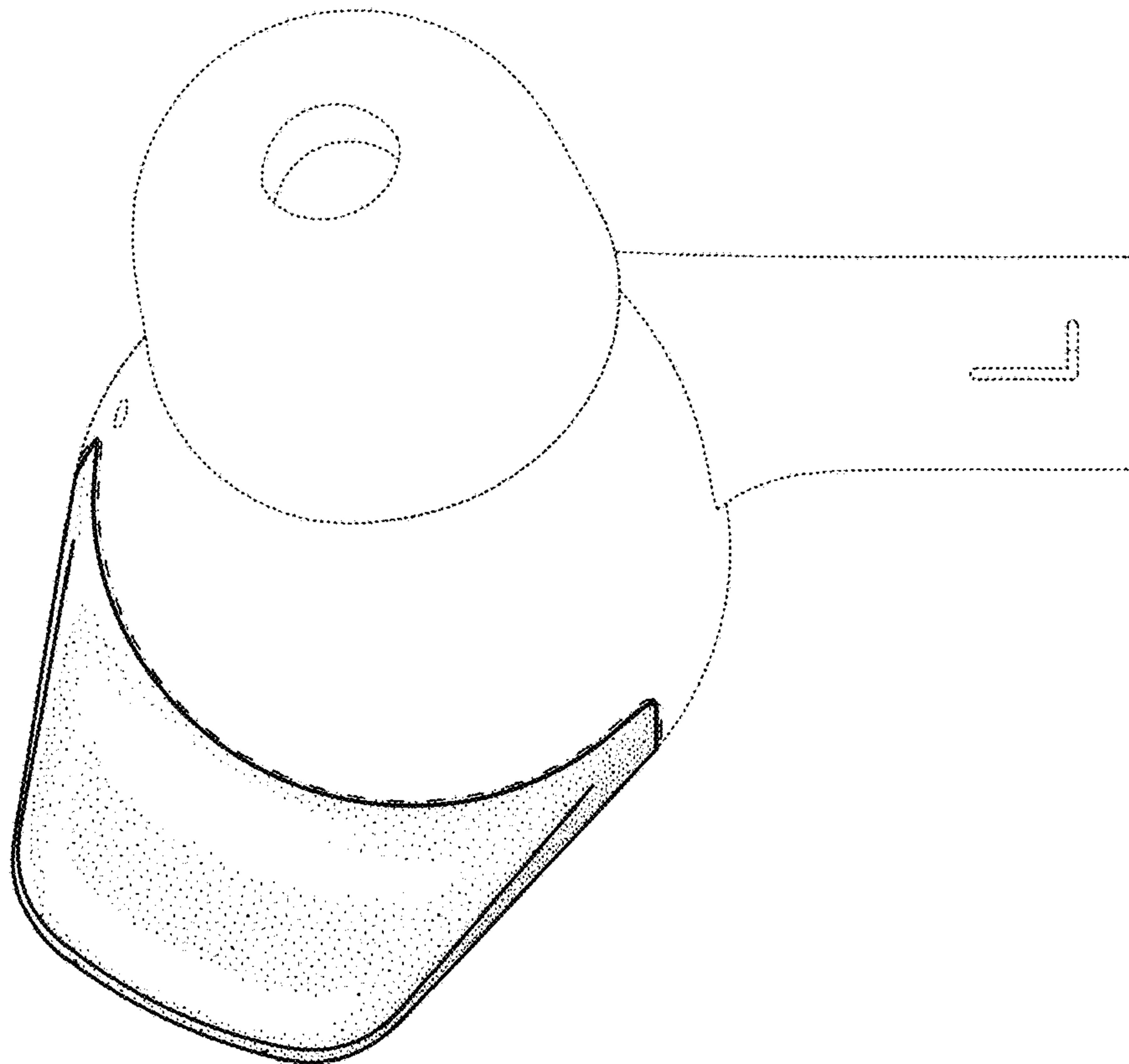


Figure 12

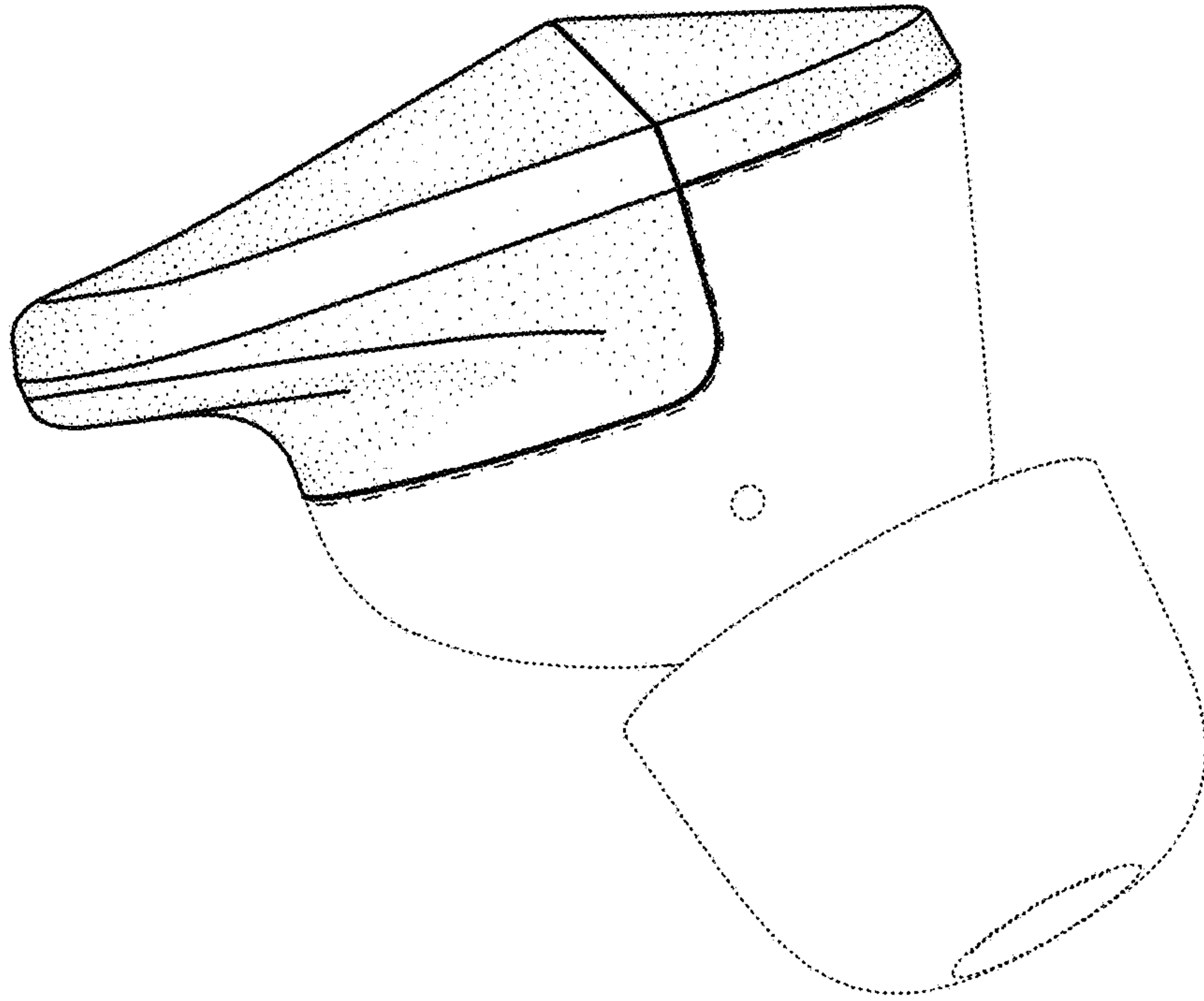


Figure 15

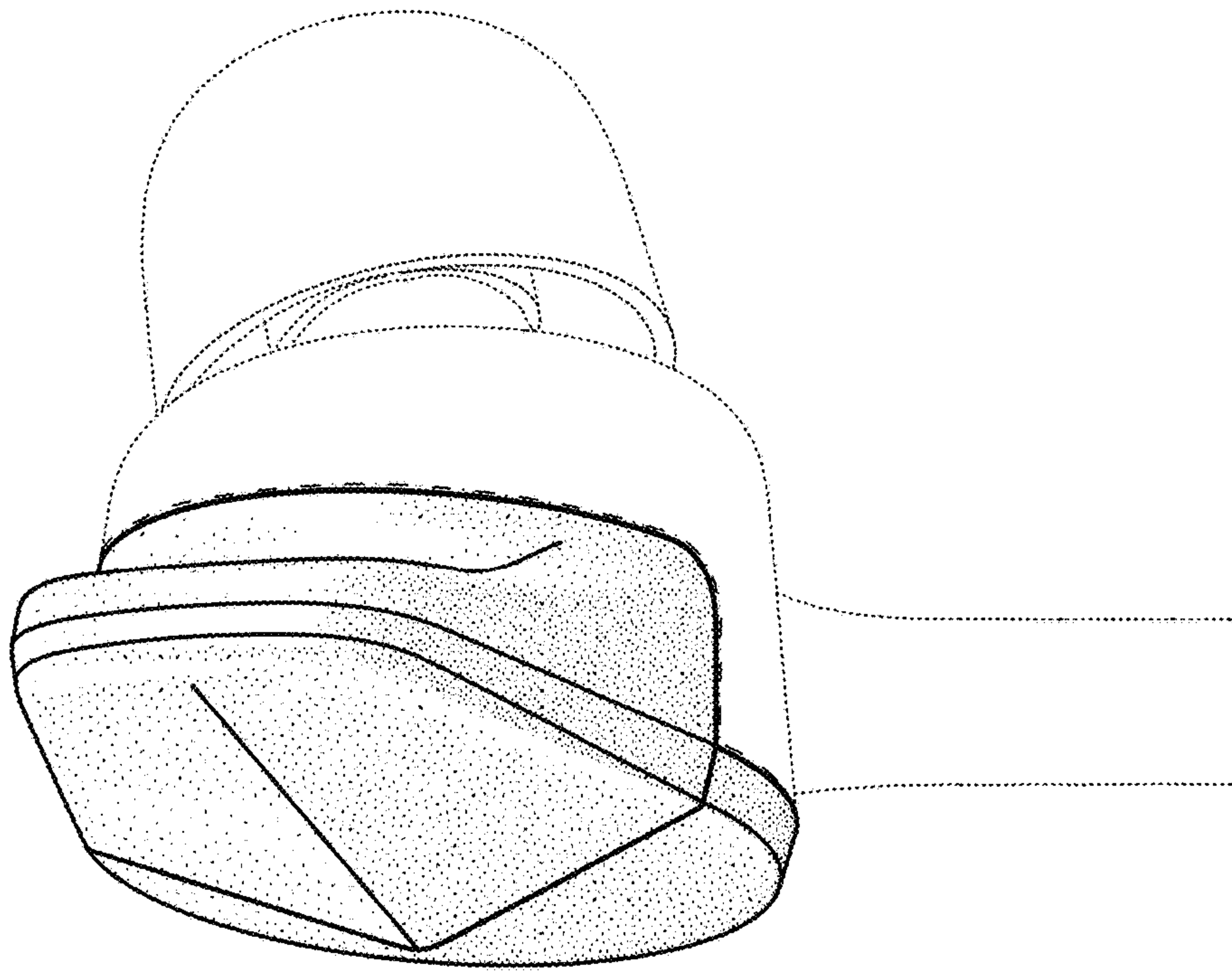


Figure 14



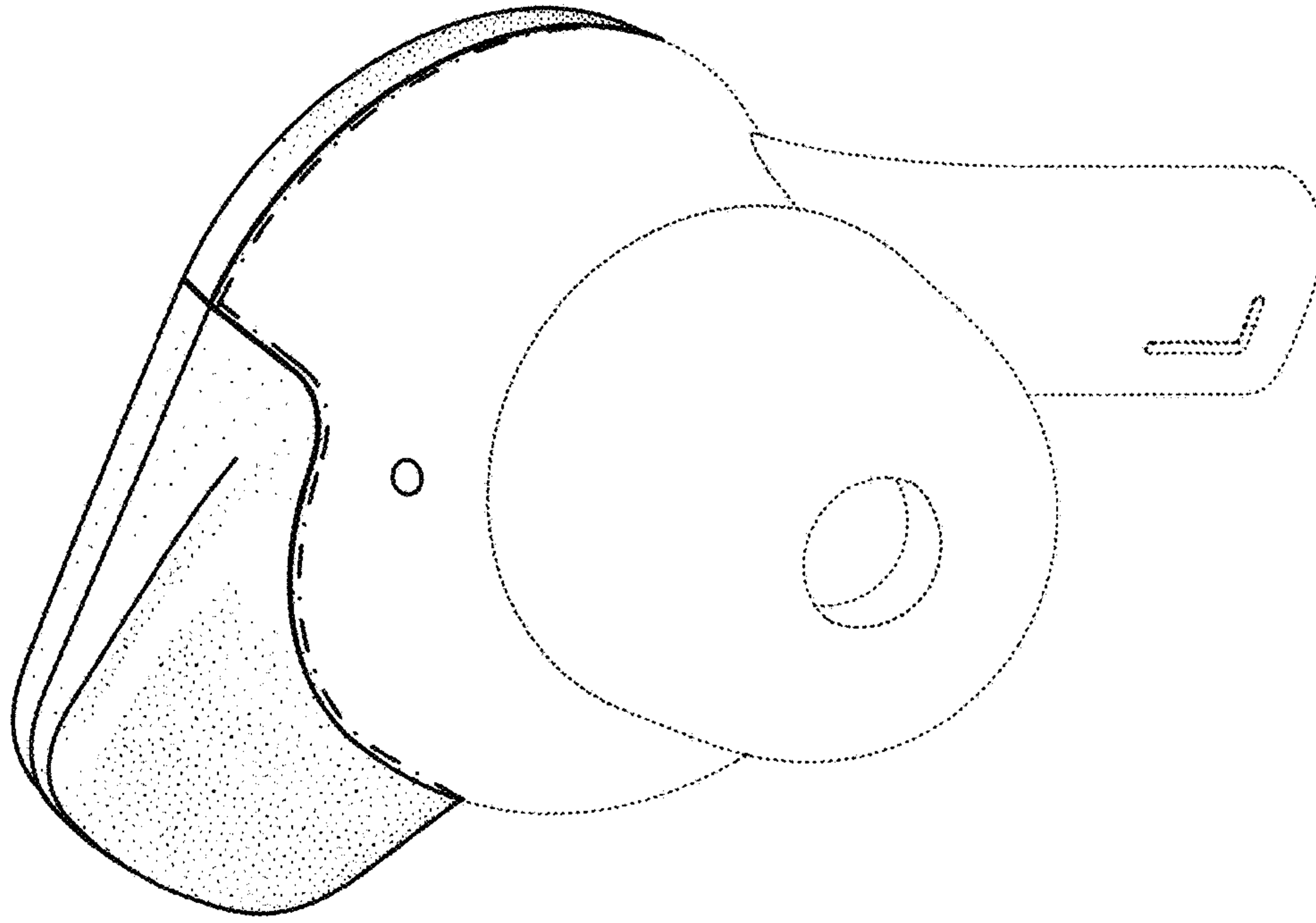


Figure 17

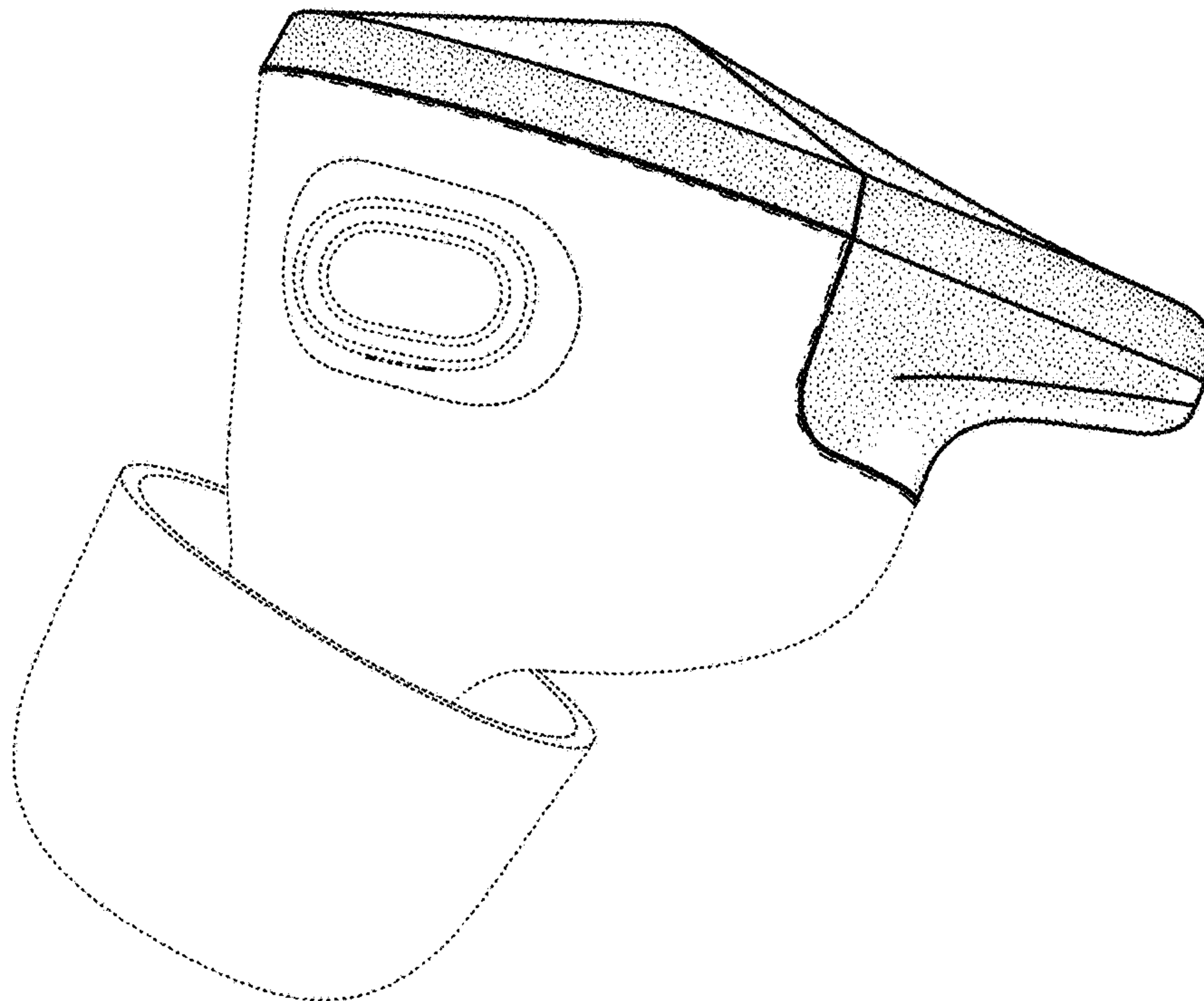


Figure 16

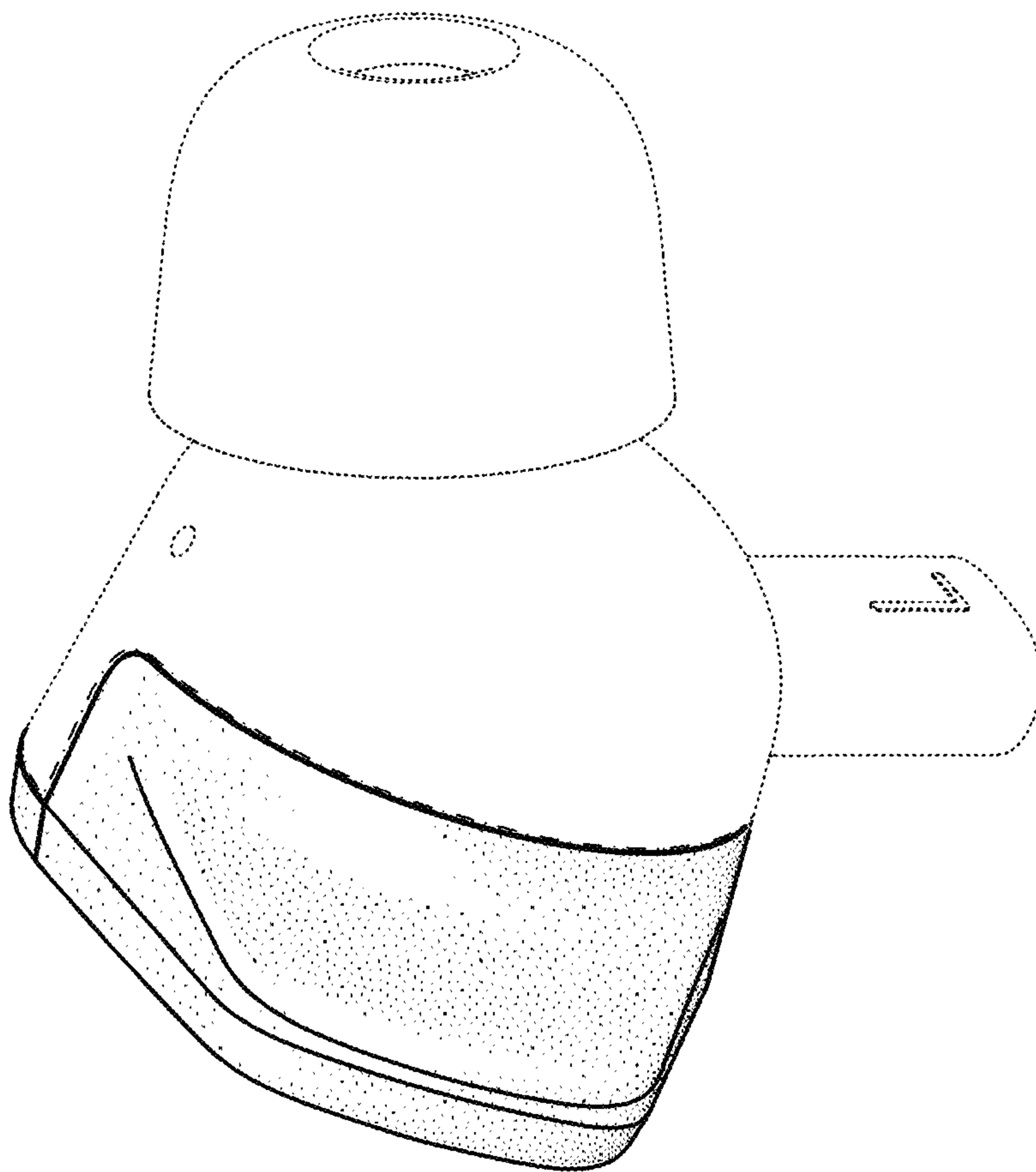


Figure 18

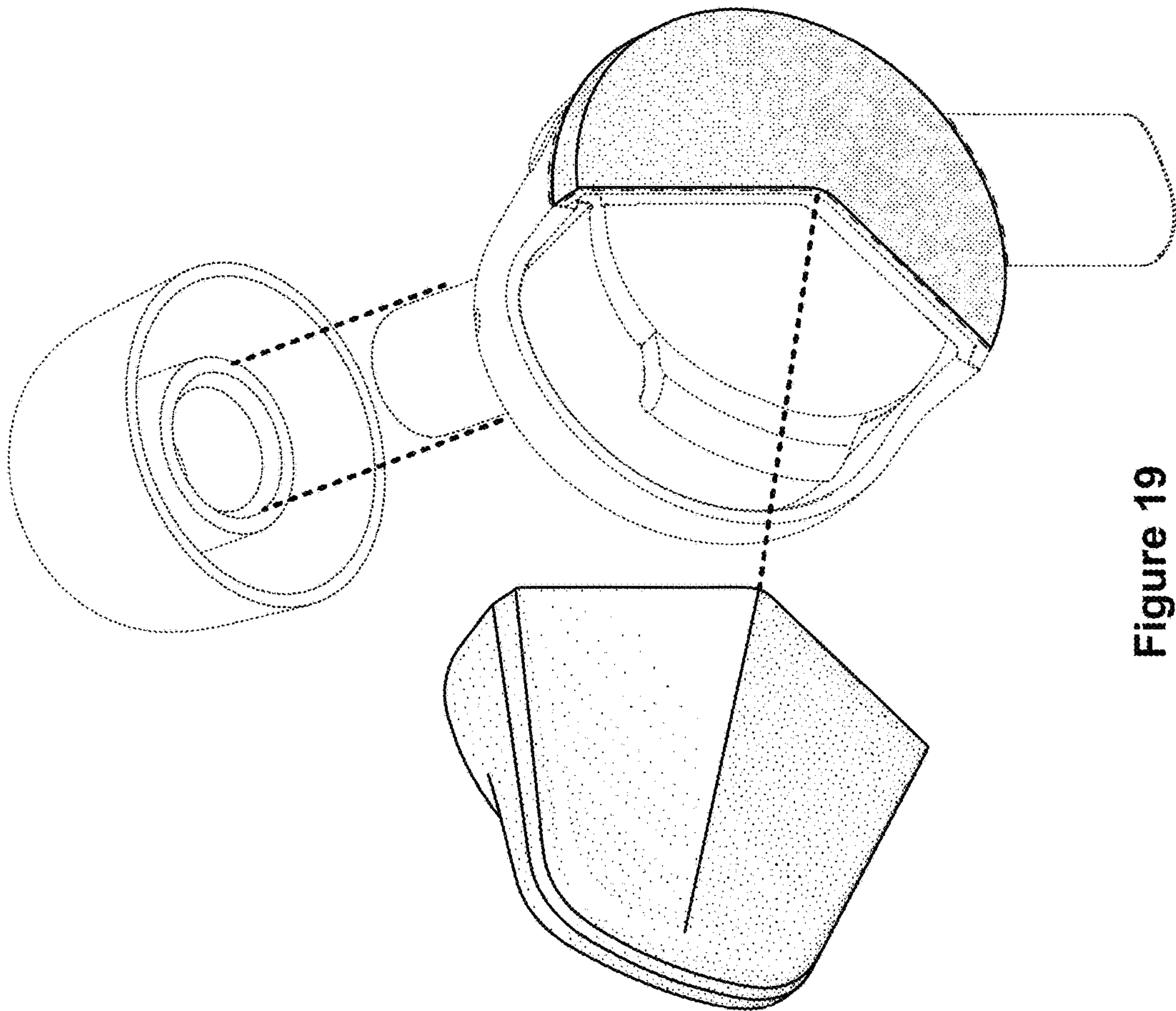


Figure 19



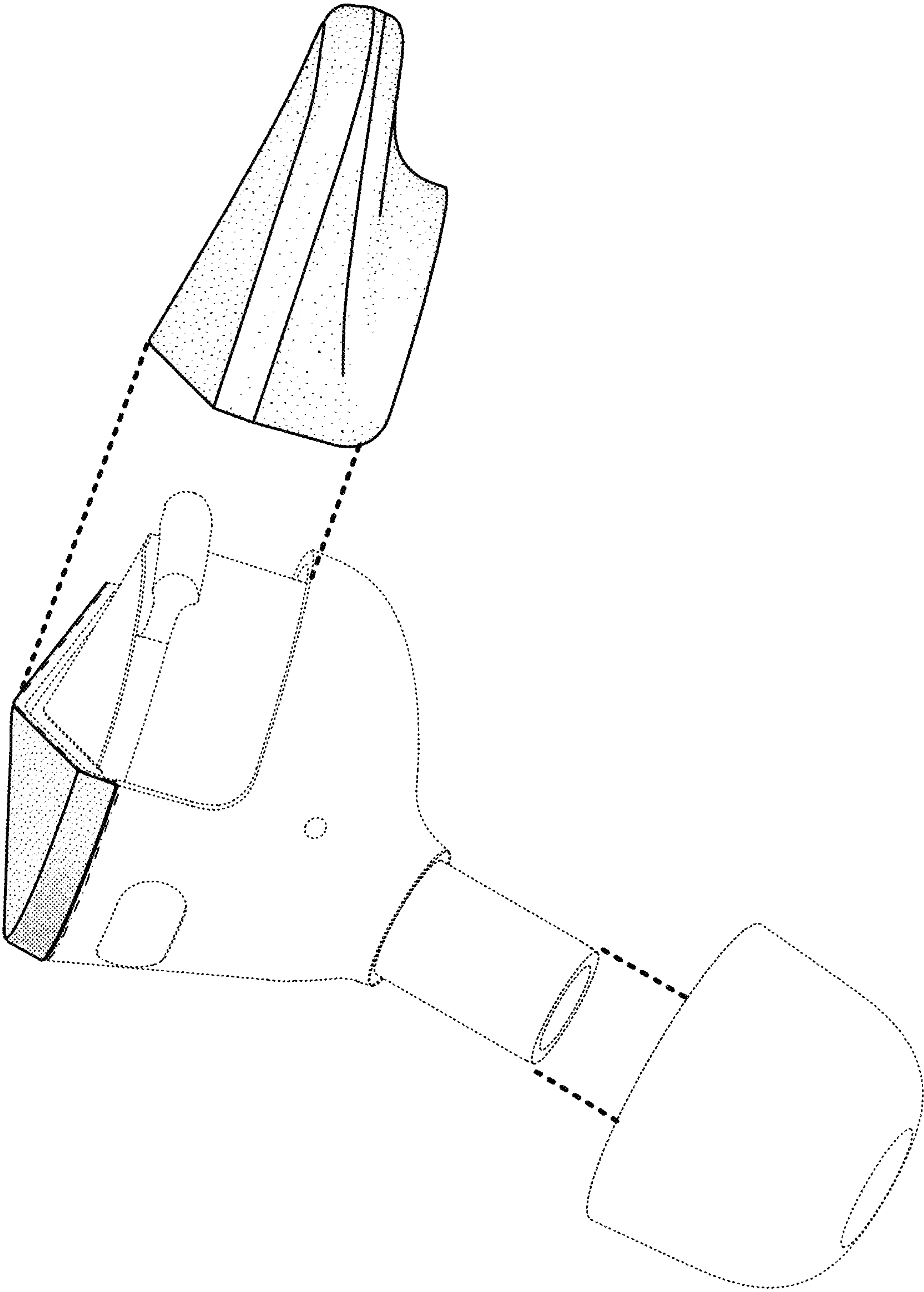


Figure 20

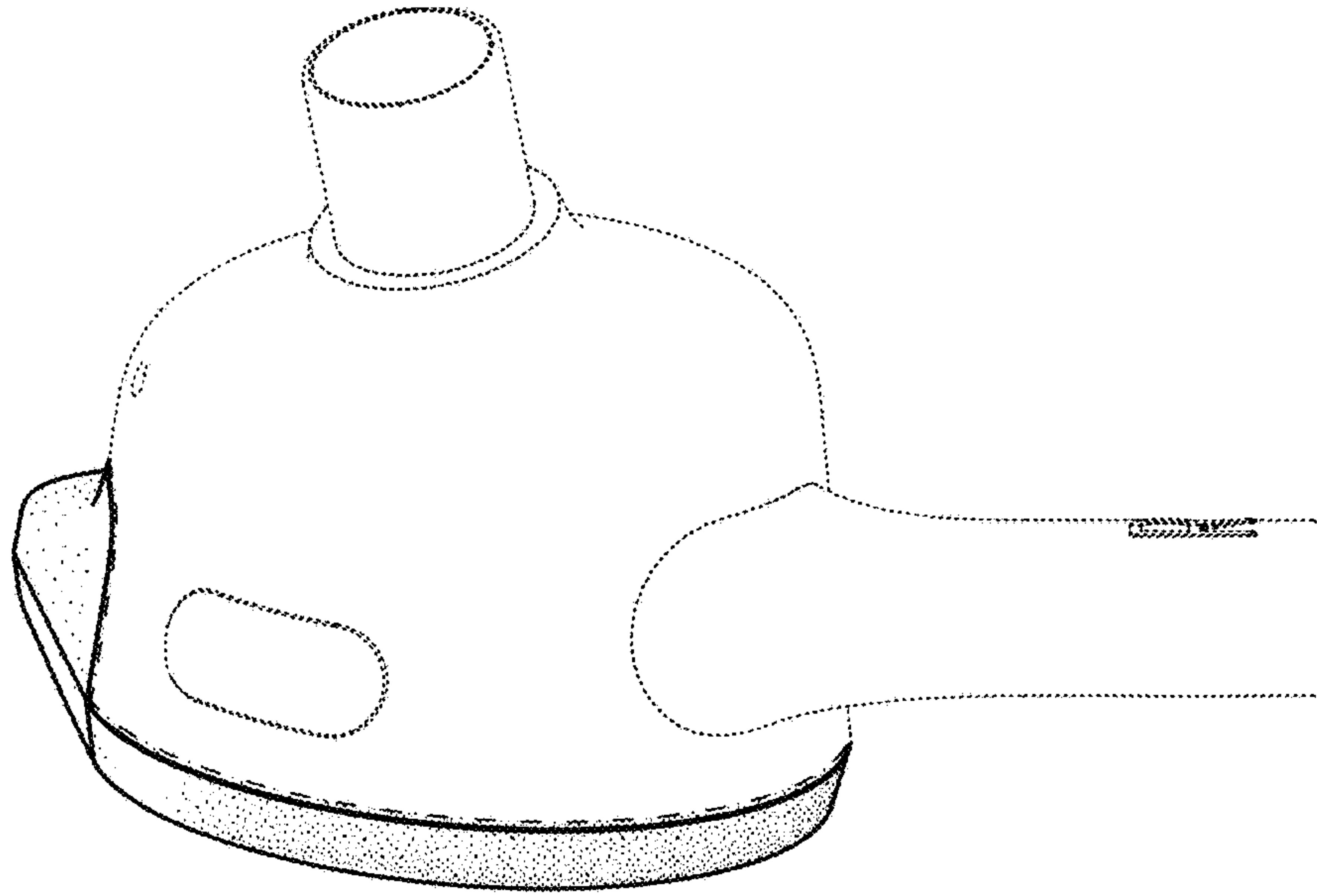


Figure 22

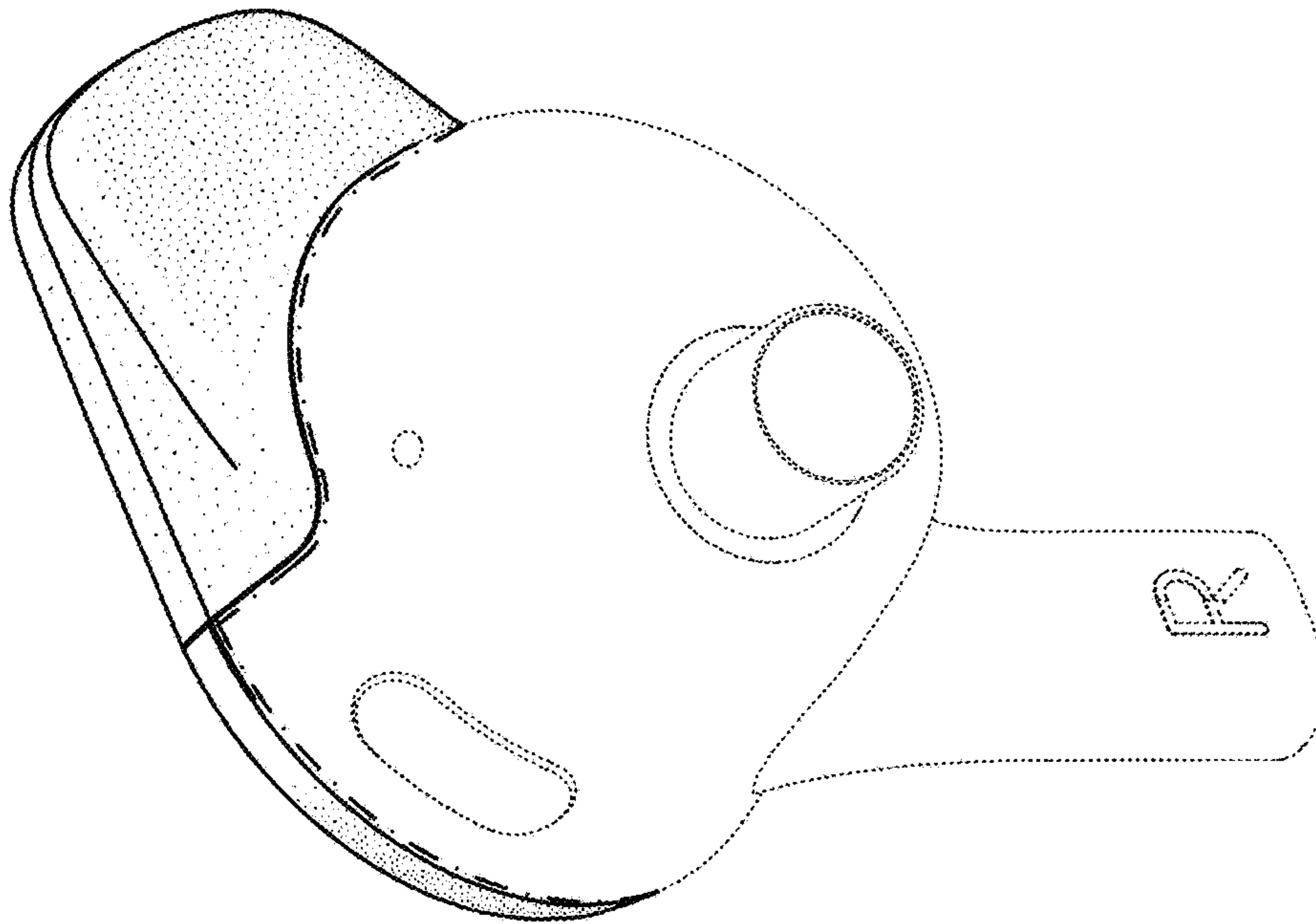


Figure 21

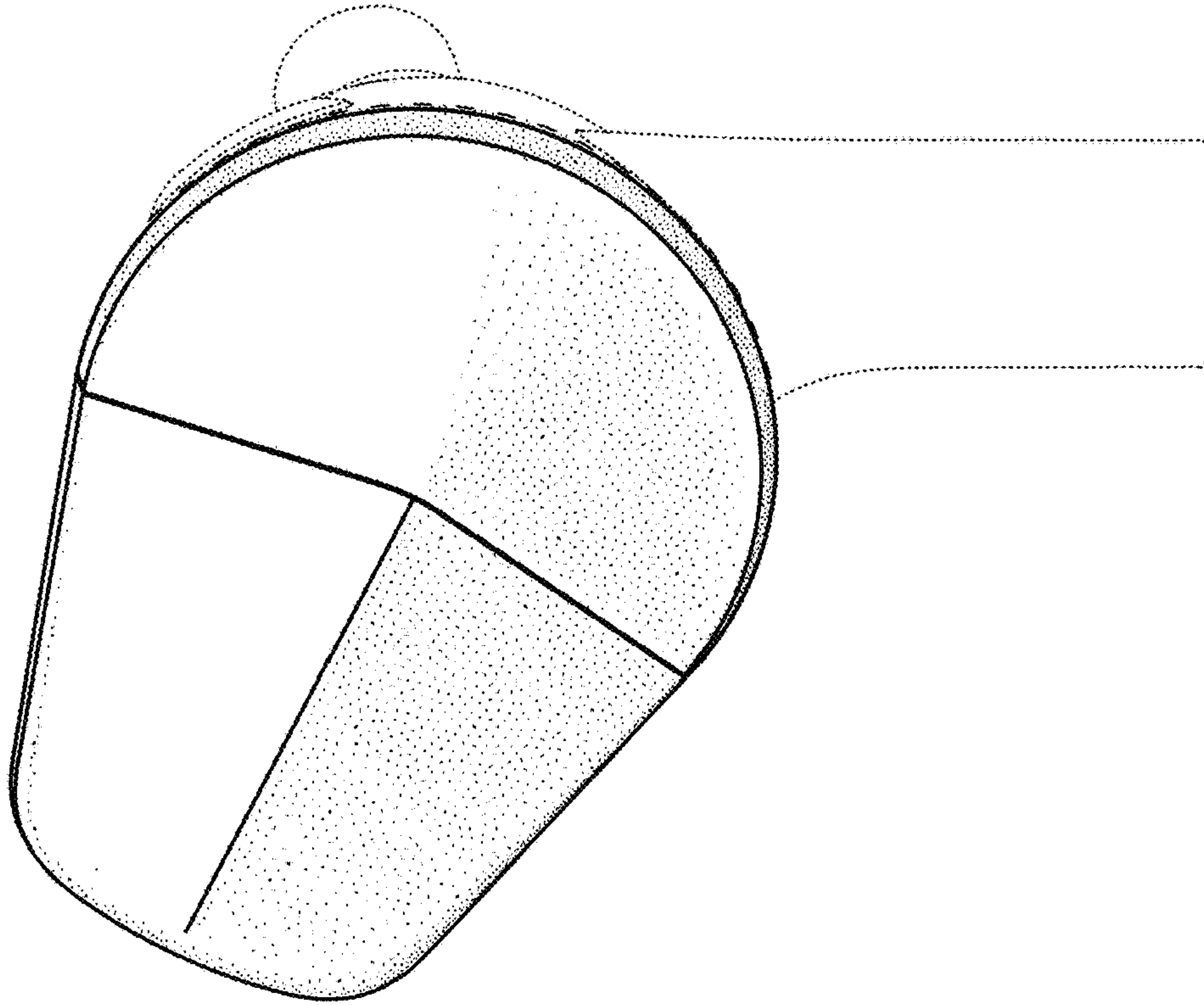


Figure 24

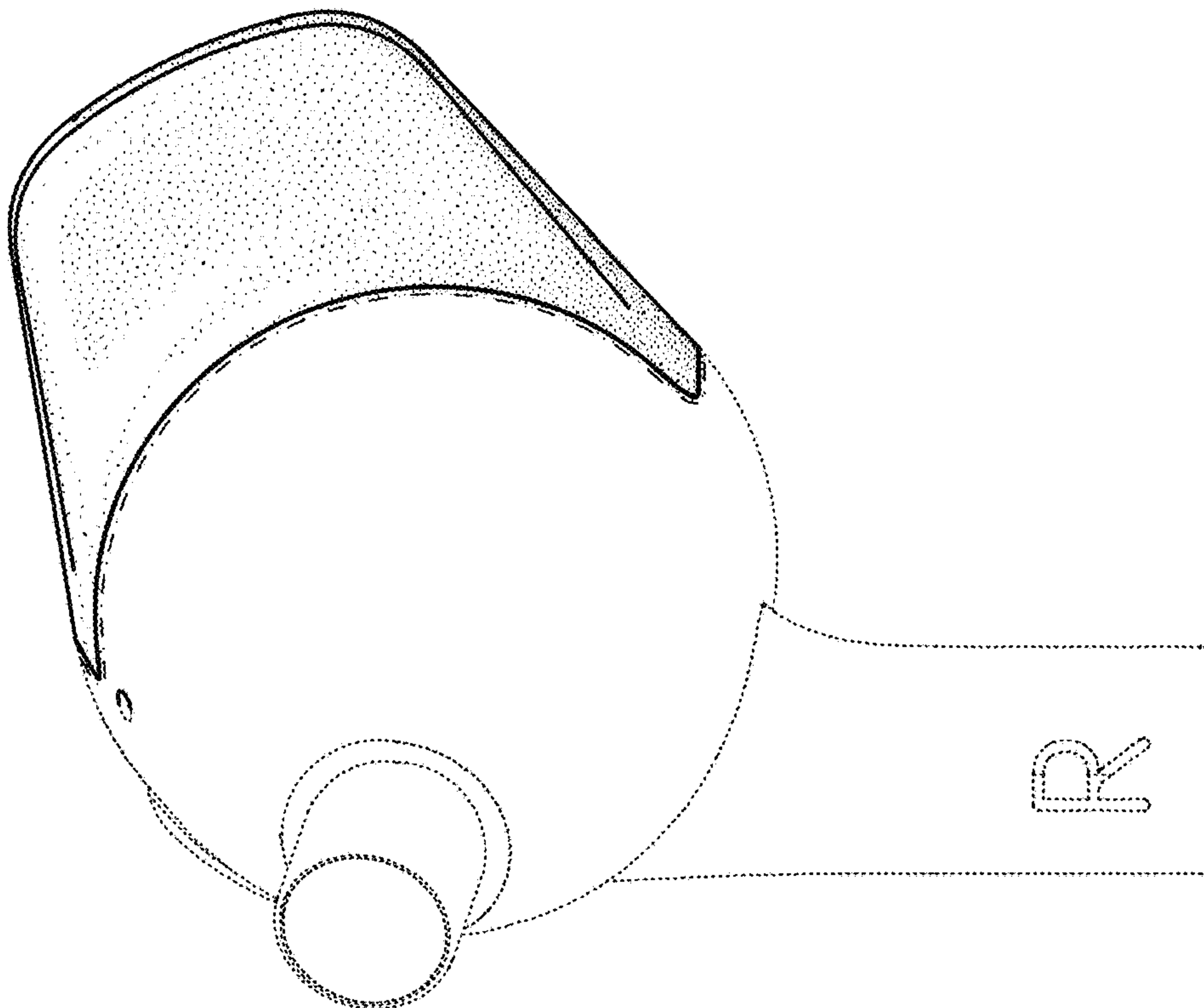


Figure 23



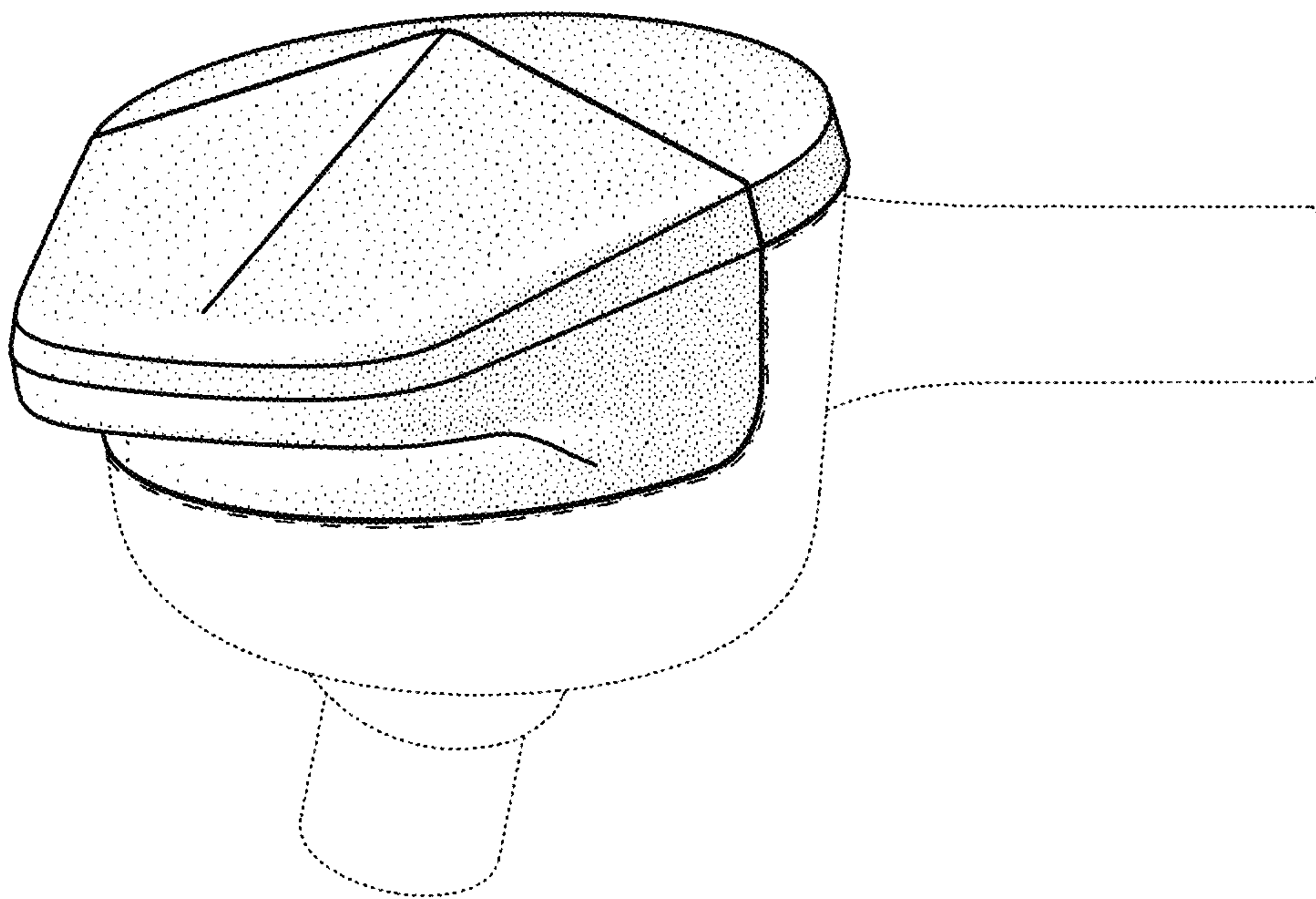


Figure 25

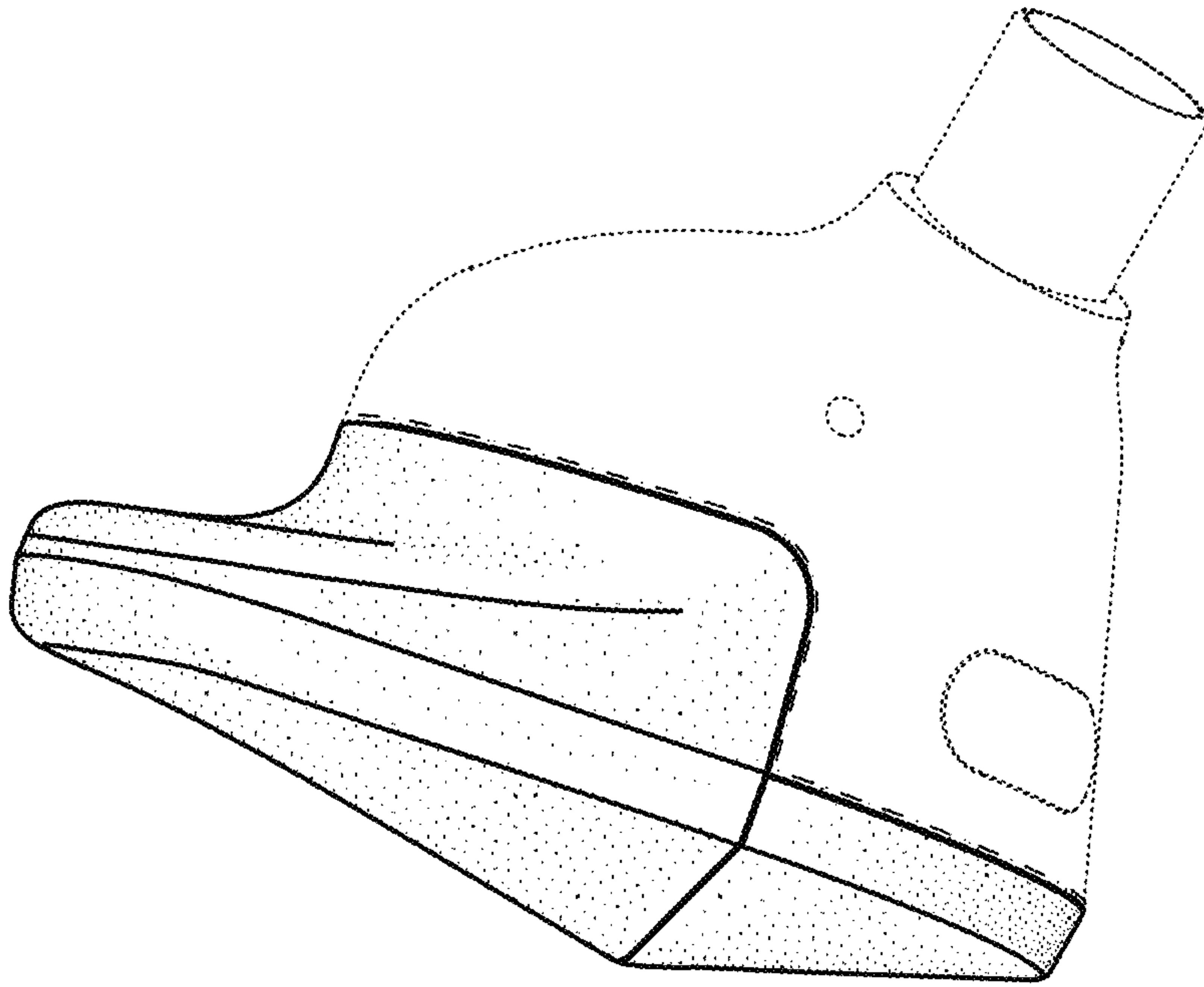


Figure 26

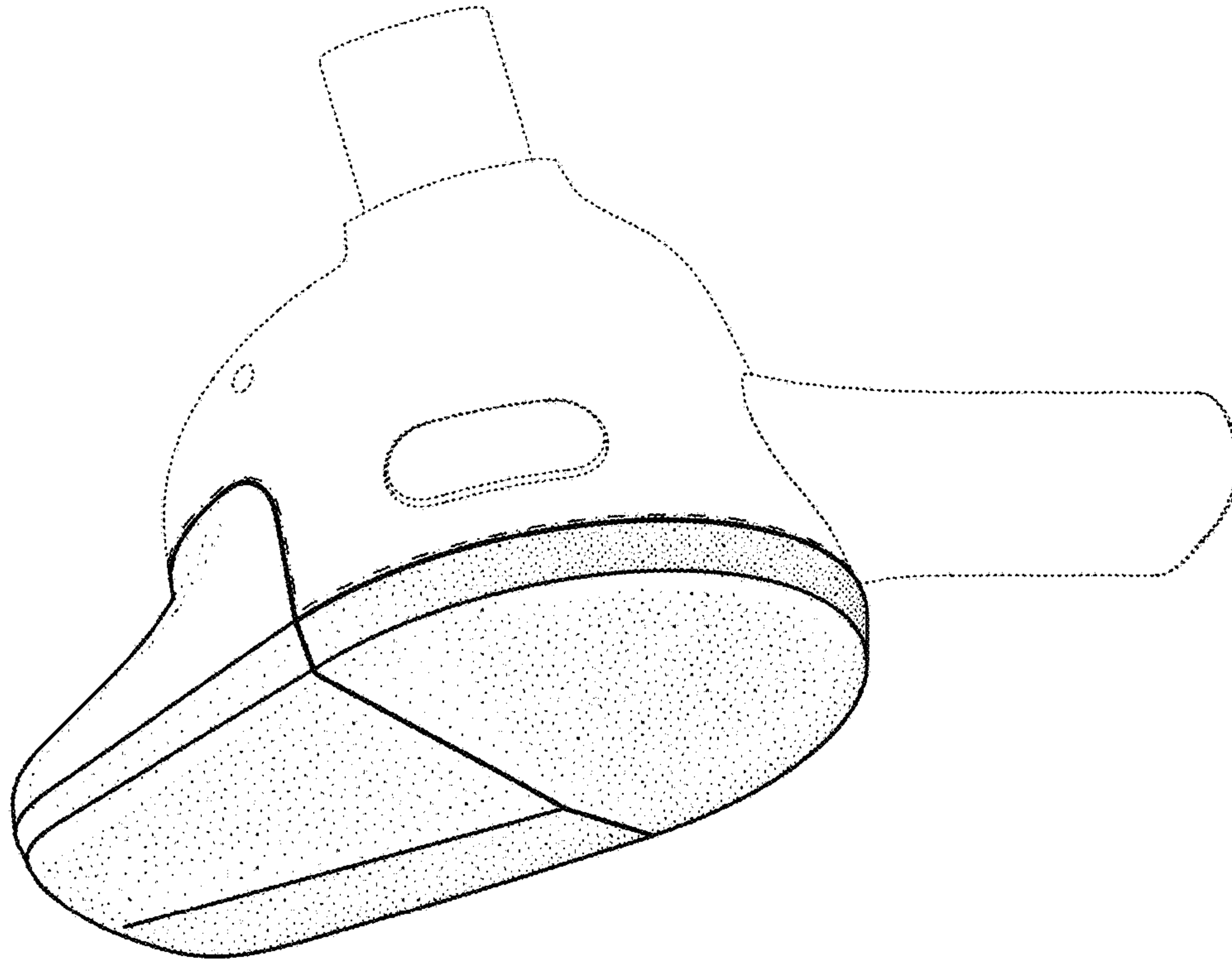


Figure 28

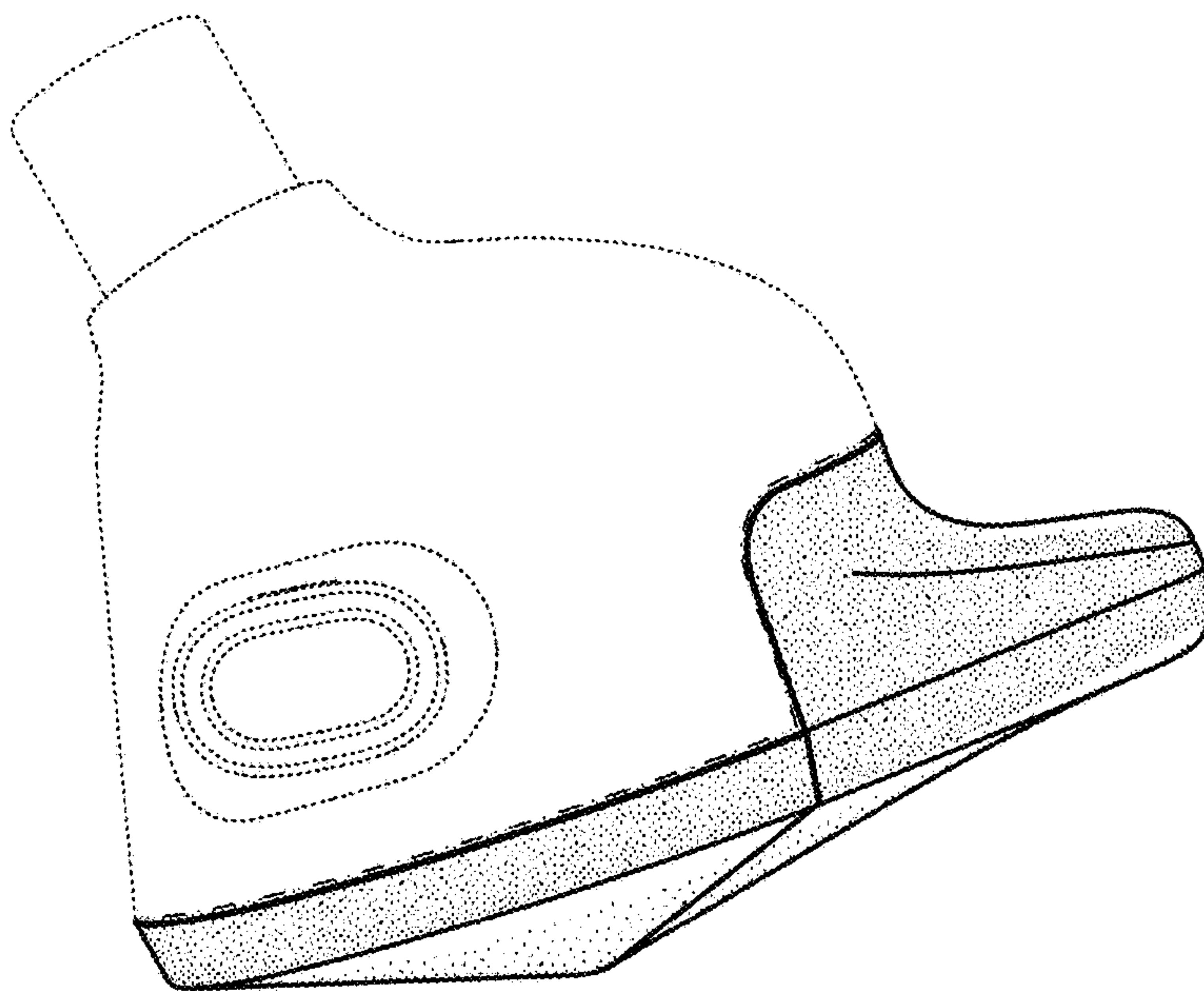


Figure 27

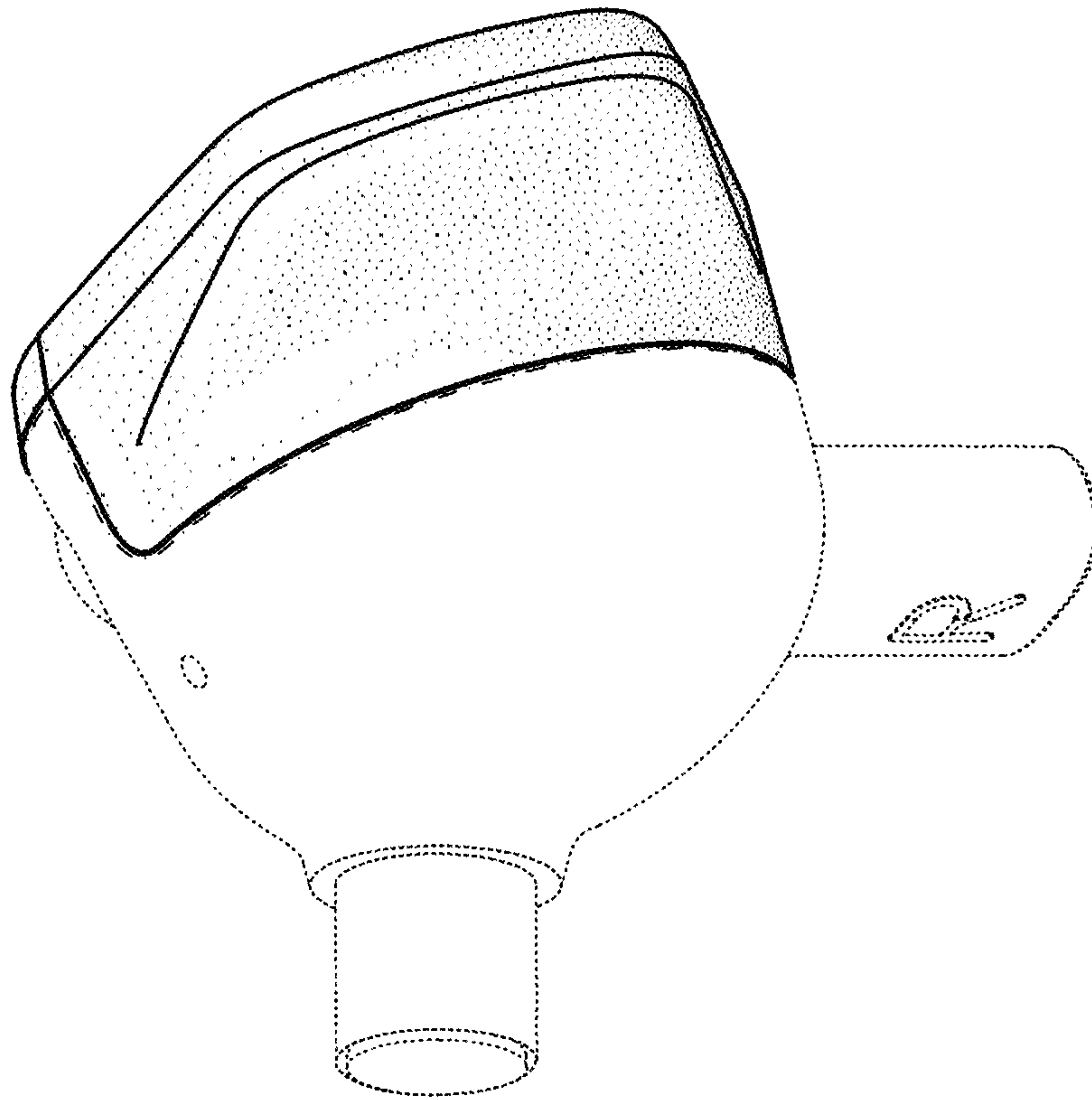


Figure 29



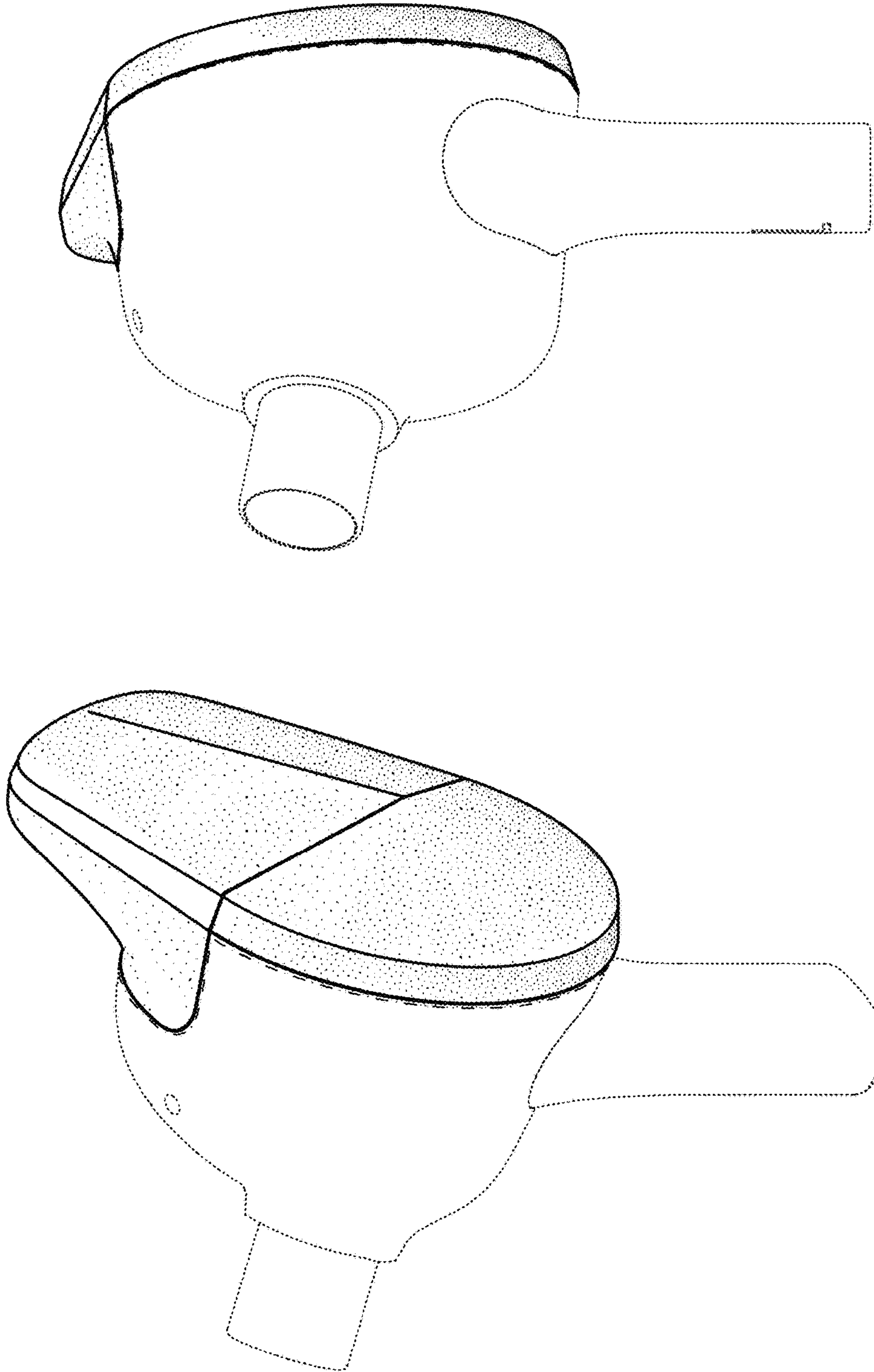


Figure 31

Figure 30

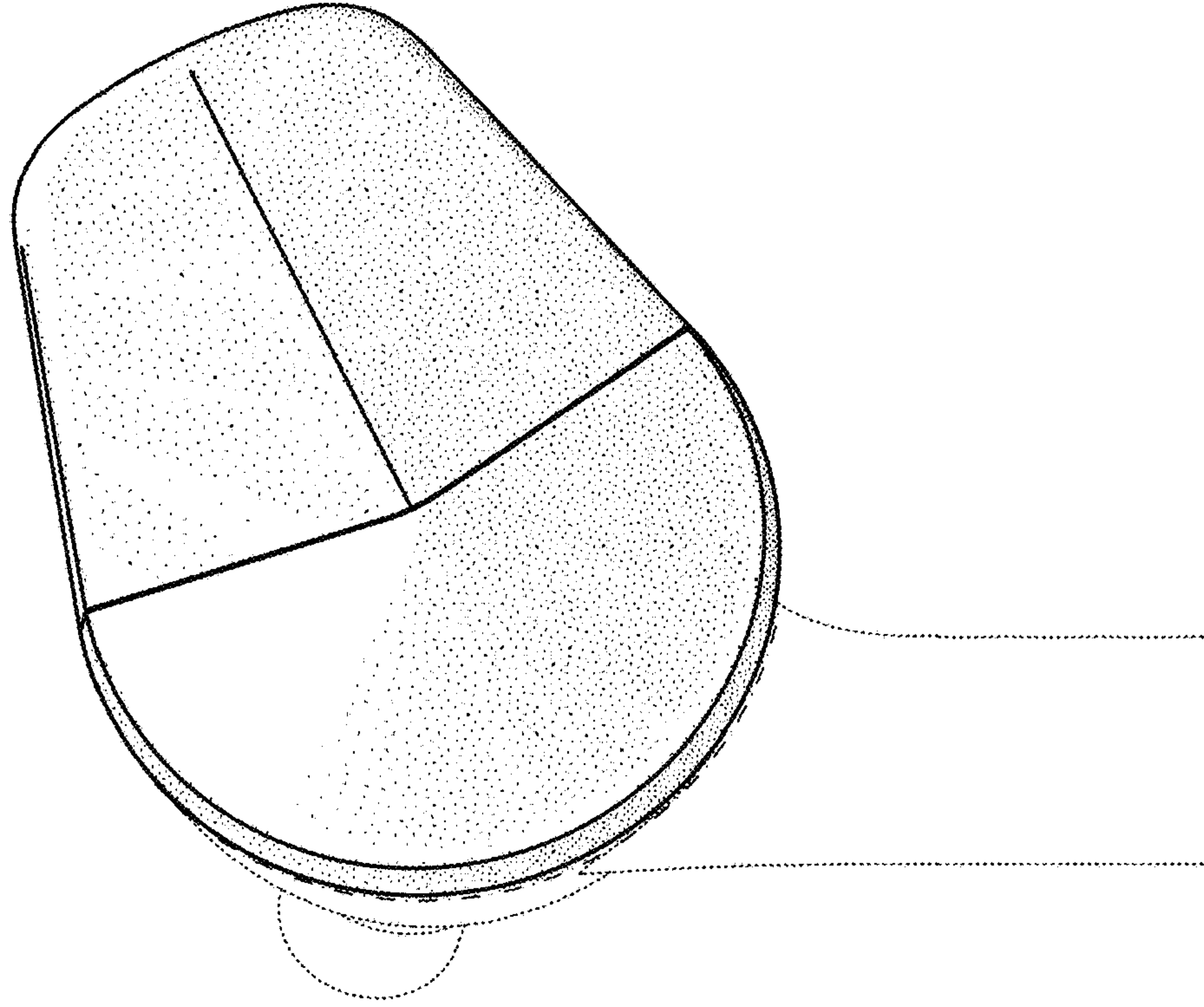


Figure 33

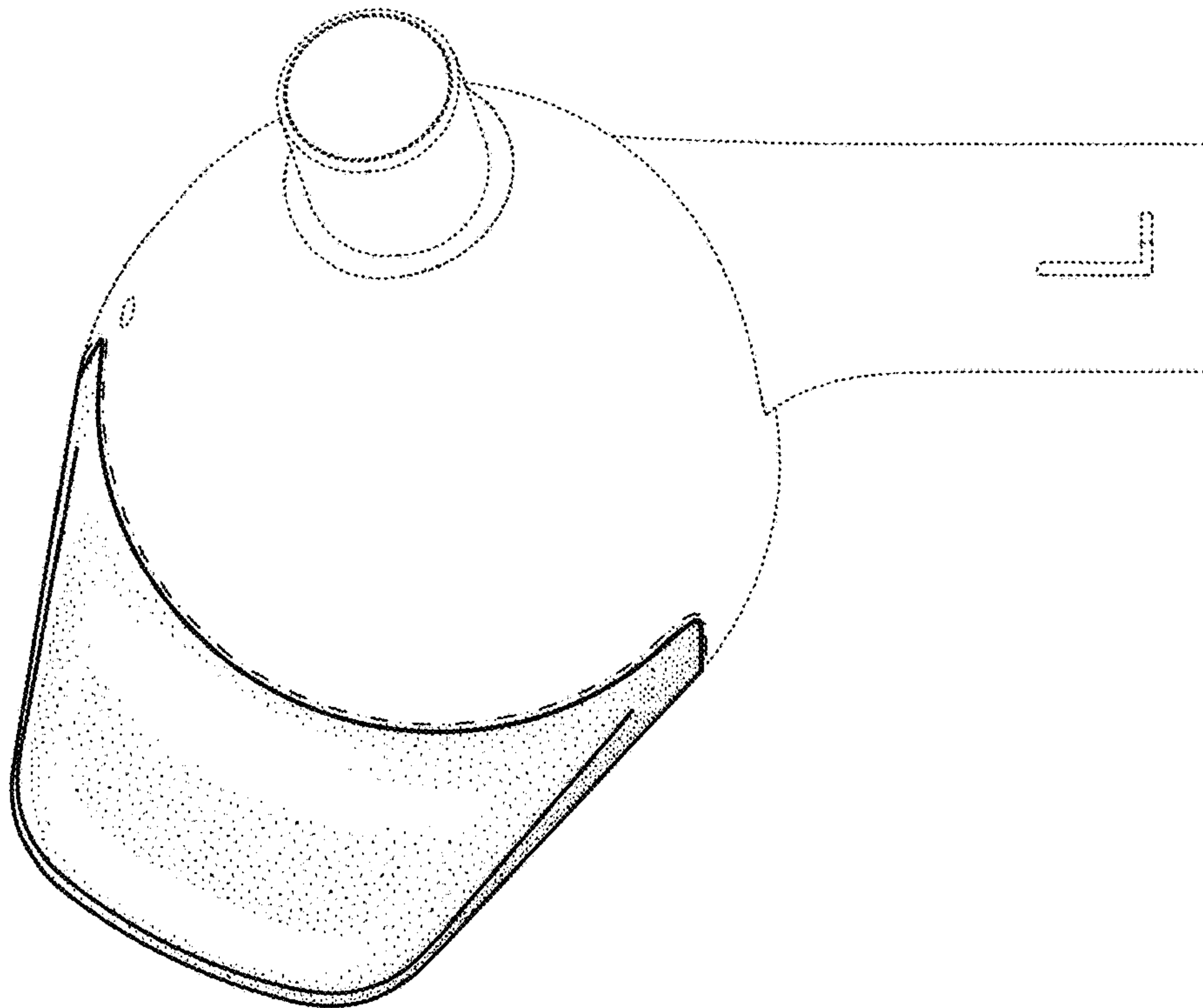


Figure 32

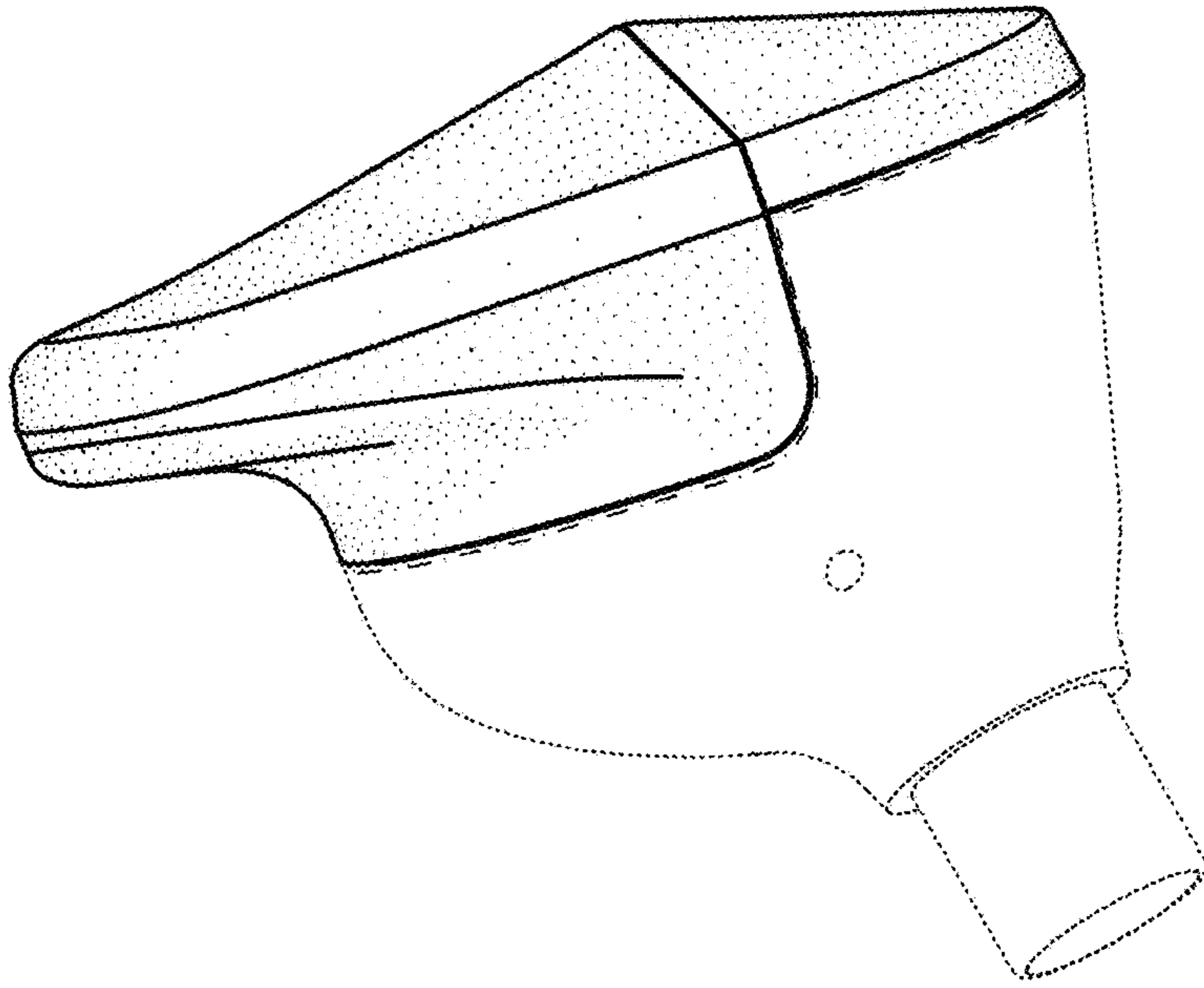


Figure 35

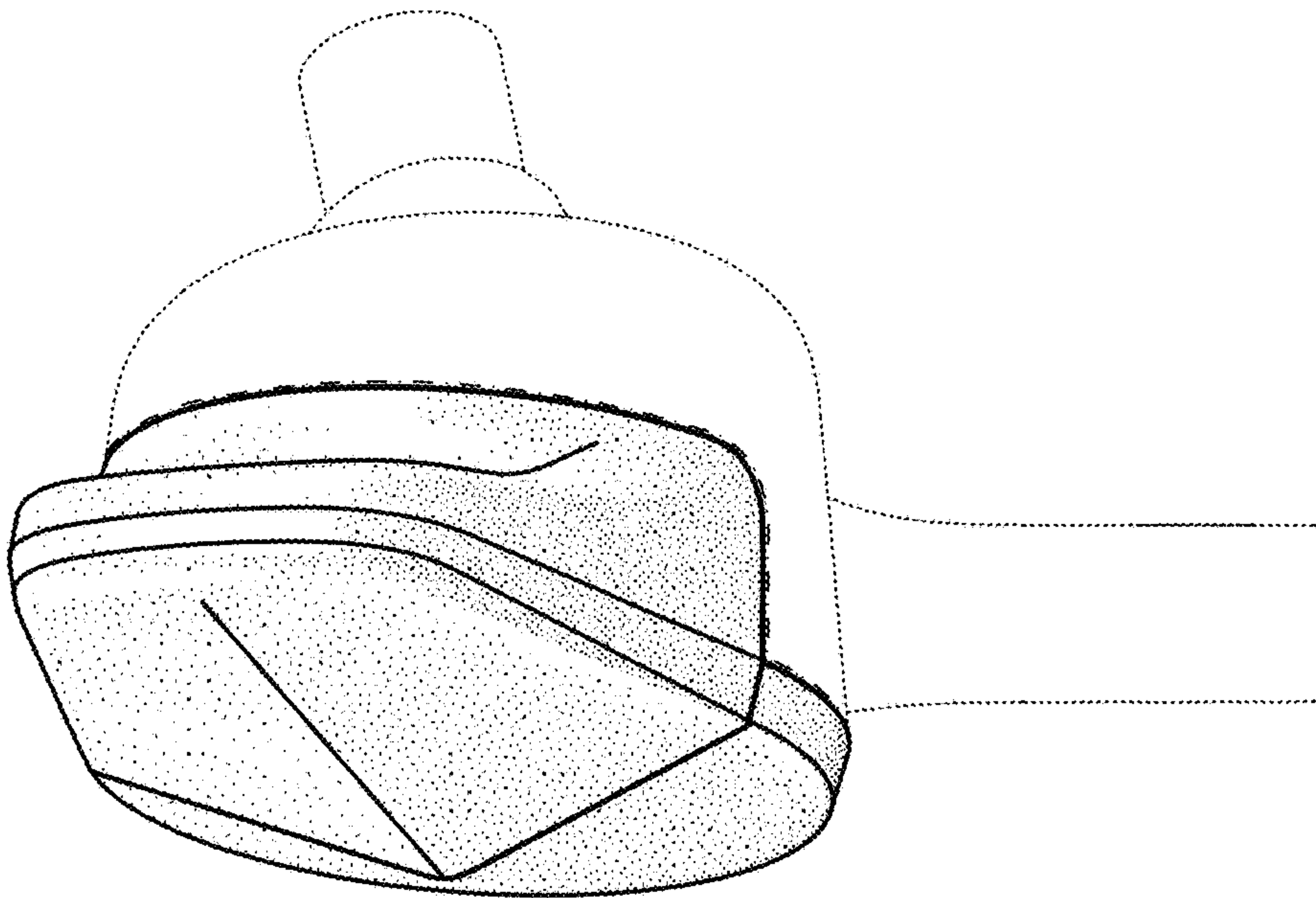


Figure 34

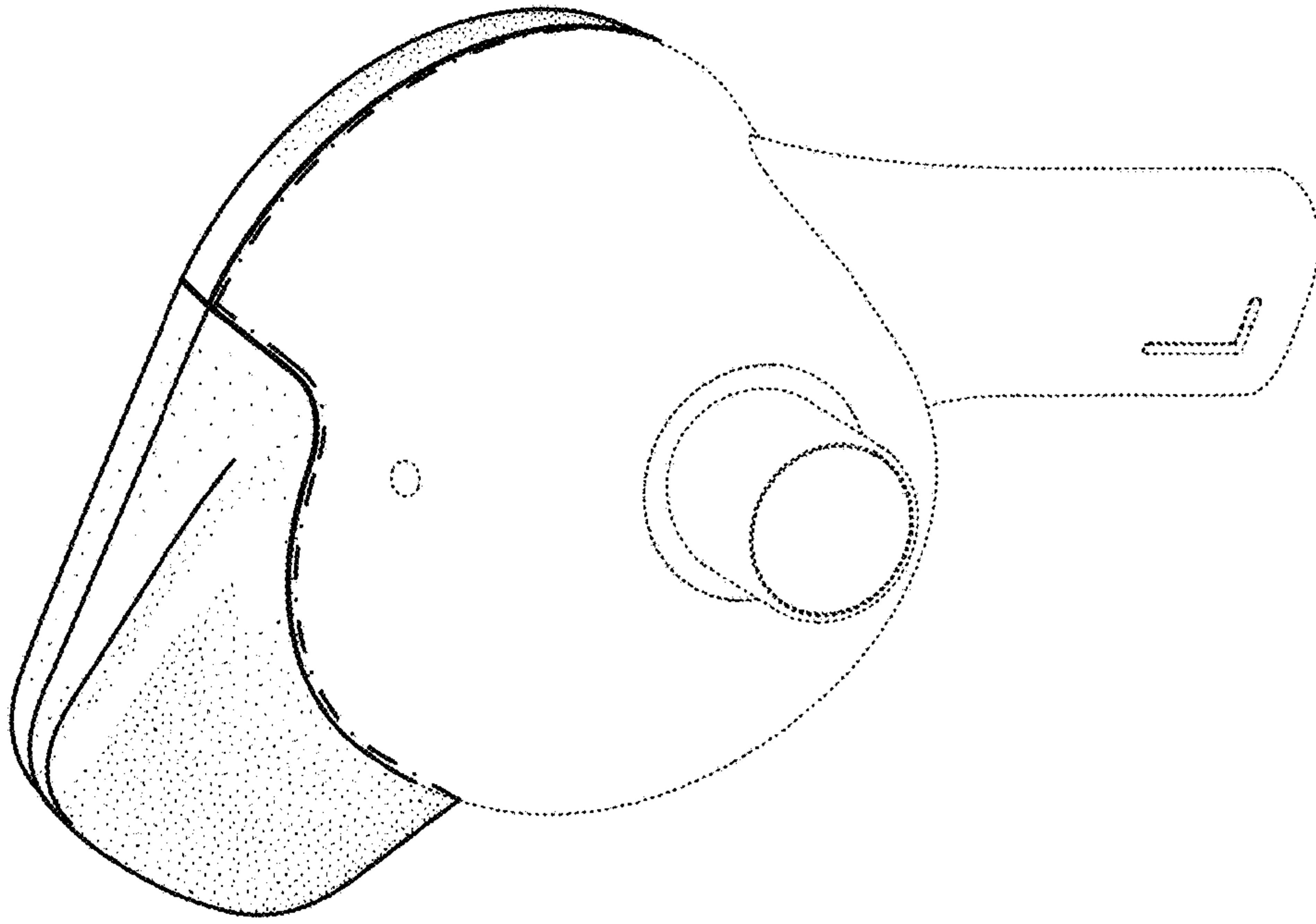


Figure 37

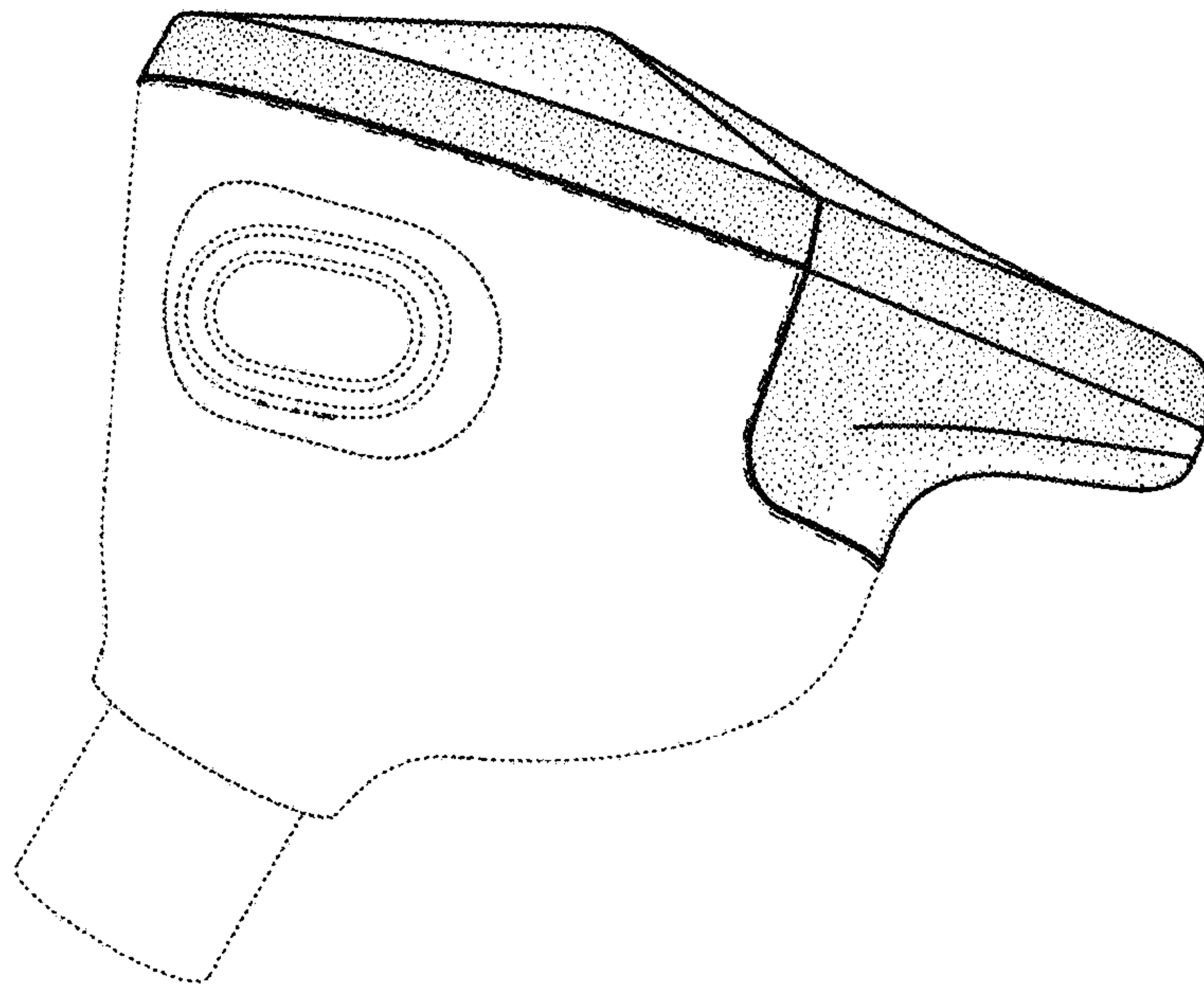


Figure 36



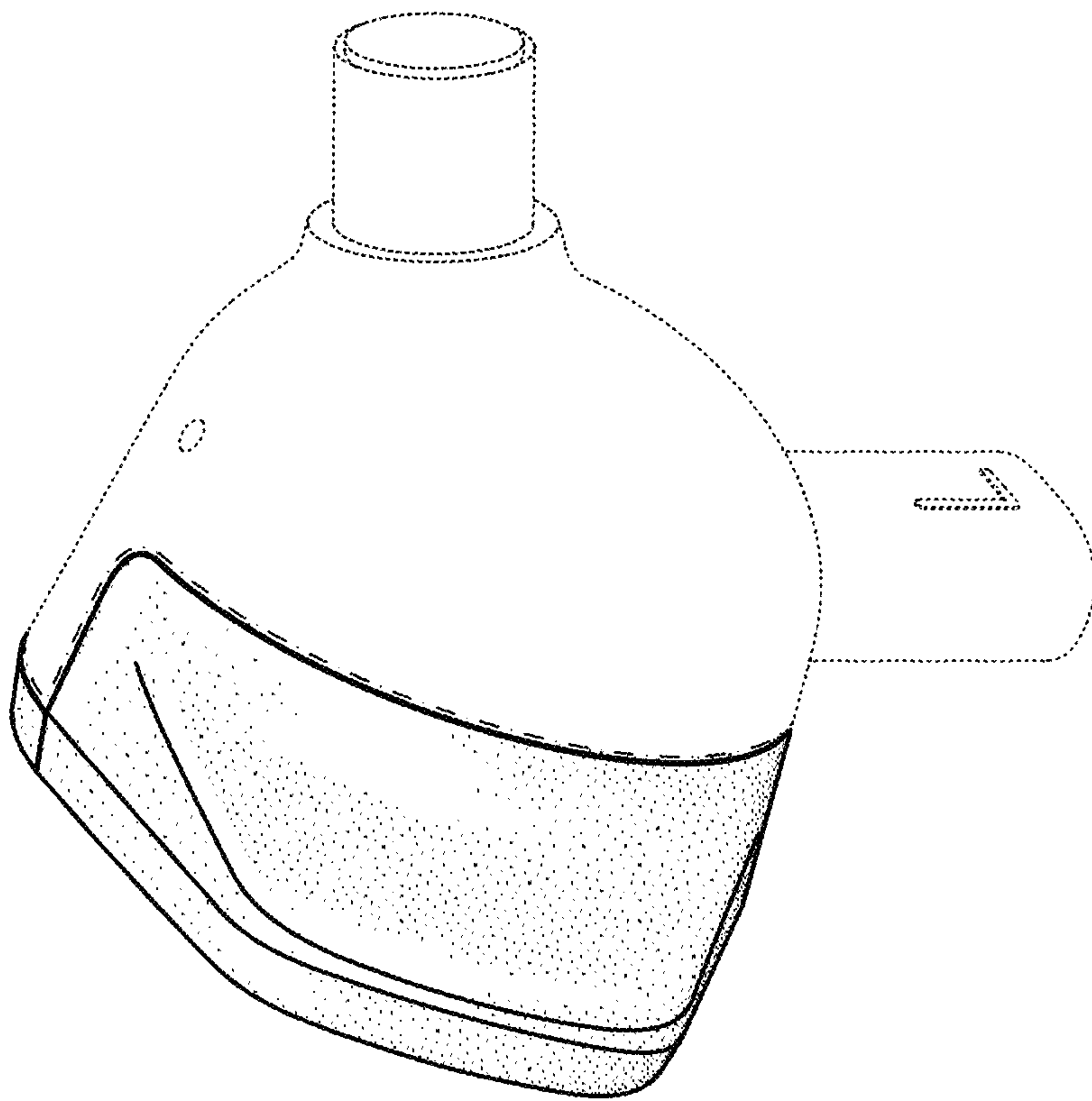


Figure 38