



US00D825532S

(12) **United States Design Patent**
Maletz et al.

(10) **Patent No.:** **US D825,532 S**
(45) **Date of Patent:** **** Aug. 14, 2018**

(54) **REMOTE CONTROL**

(71) Applicant: **Comcast Cable Communications, LLC**, Philadelphia, PA (US)

(72) Inventors: **Julie Biron Maletz**, Philadelphia, PA (US); **Neil Epstein**, Havertown, PA (US); **Michael Jou**, Philadelphia, PA (US); **Thomas Loretan**, Philadelphia, PA (US)

(73) Assignee: **Comcast Cable Communications, LLC**, Philadelphia, PA (US)

(**) Term: **15 Years**

(21) Appl. No.: **29/568,076**

(22) Filed: **Jun. 15, 2016**

(51) **LOC (11) Cl.** **14-03**

(52) **U.S. Cl.**
USPC **D14/218**

(58) **Field of Classification Search**
USPC D14/218; D13/168; D32/2-3
CPC H04N 7/17318
See application file for complete search history.

(56) **References Cited**

U.S. PATENT DOCUMENTS

D302,544 S *	8/1989	Spira	D13/168
D521,986 S *	5/2006	Depay	D14/218
D575,285 S *	8/2008	Ashida	D14/400
D583,363 S *	12/2008	Song	D13/168
D591,272 S *	4/2009	Vitito	D14/218
D605,179 S *	12/2009	Rudolph	D14/218
D614,607 S *	4/2010	Kamegi	D14/218
D626,942 S *	11/2010	Aquillano	D14/218
D630,619 S *	1/2011	Li	D14/218
D641,717 S *	7/2011	Nan	D13/168
D673,139 S *	12/2012	Choi	D14/218
D691,970 S *	10/2013	Wu	D13/168
D709,480 S *	7/2014	Kim	D14/218

D722,044 S *	2/2015	Daniel	D14/218
D724,567 S *	3/2015	Buch	D14/218
D755,758 S *	5/2016	Maier	D14/218
D788,743 S *	6/2017	Cha	D14/218
D790,513 S *	6/2017	Brown	D14/218
D798,272 S *	9/2017	Desagre	D14/218
2005/0157217 A1 *	7/2005	Hendricks	H04H 20/06 348/734
2015/0091710 A1 *	4/2015	Loretan	H04N 5/44 340/12.54

FOREIGN PATENT DOCUMENTS

JP D1481217 * 10/2013

OTHER PUBLICATIONS

Big Button Universal Remote Control, reviews 2014, <https://www.arthritissupplies.com/big-button-universal-remote-control.html>, site visited Oct. 16, 2017.*

* cited by examiner

Primary Examiner — Eric Goodman

Assistant Examiner — John R Yeh

(74) *Attorney, Agent, or Firm* — Baker & Hostetler LLP

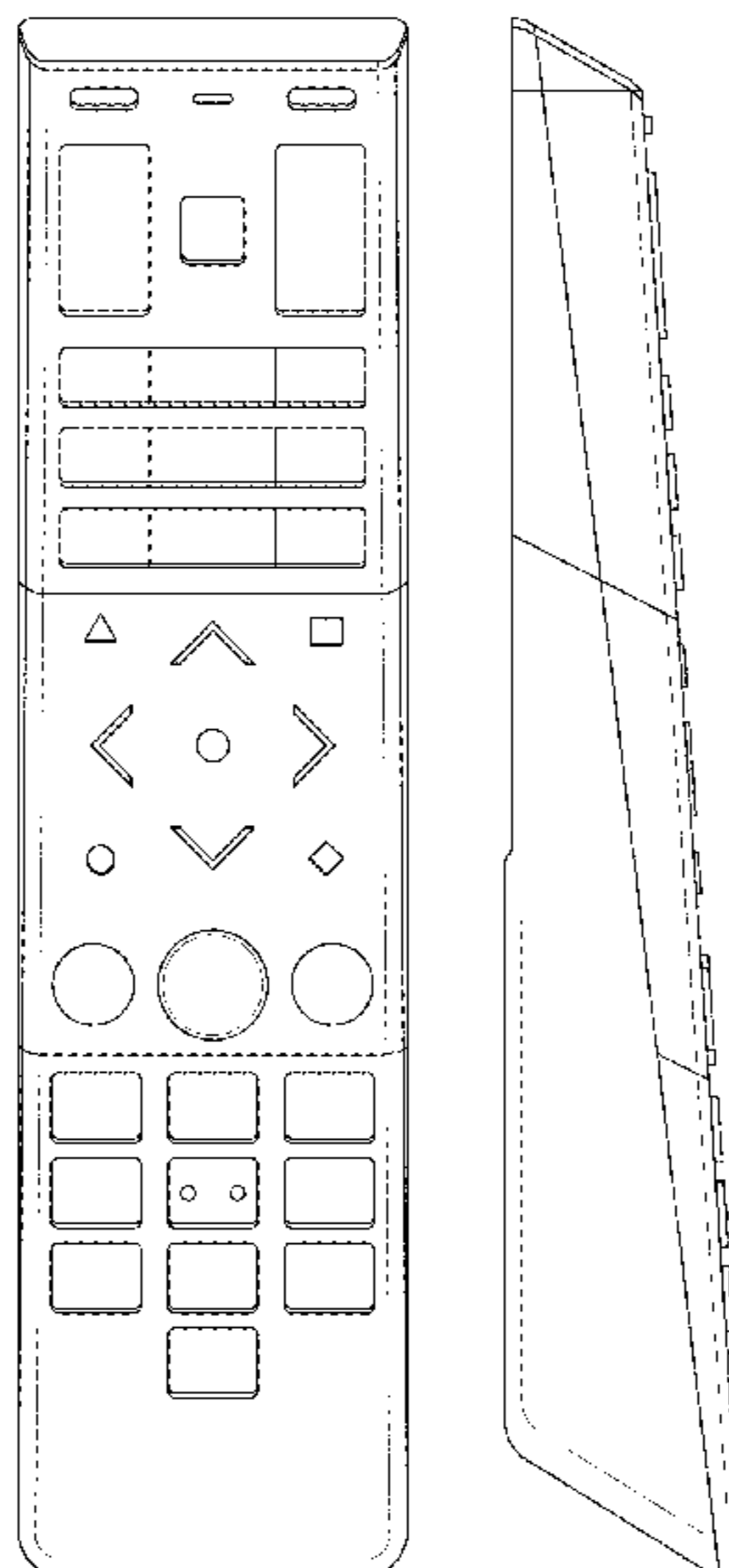
(57) **CLAIM**

The ornamental design for a remote control, as shown and described.

DESCRIPTION

FIG. 1 is a perspective view of a remote control according to an aspect of the present disclosure; FIG. 2 is a top view of the remote control of FIG. 1; FIG. 3 is a bottom view of the remote control of FIG. 1; FIG. 4 is a front view of the remote control of FIG. 1; FIG. 5 is a rear view of the remote control of FIG. 1; FIG. 6 is a left side view of the remote control of FIG. 1; and, FIG. 7 is a right side view of the remote control of FIG. 1.

1 Claim, 4 Drawing Sheets



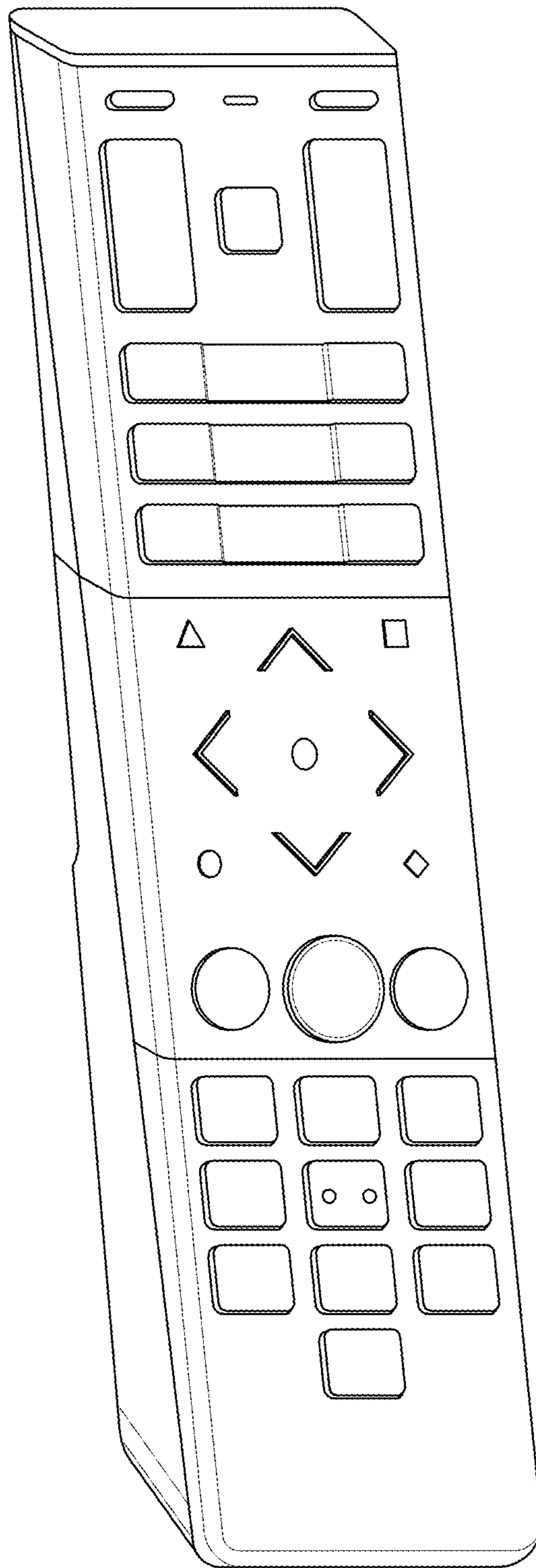


FIG. 1

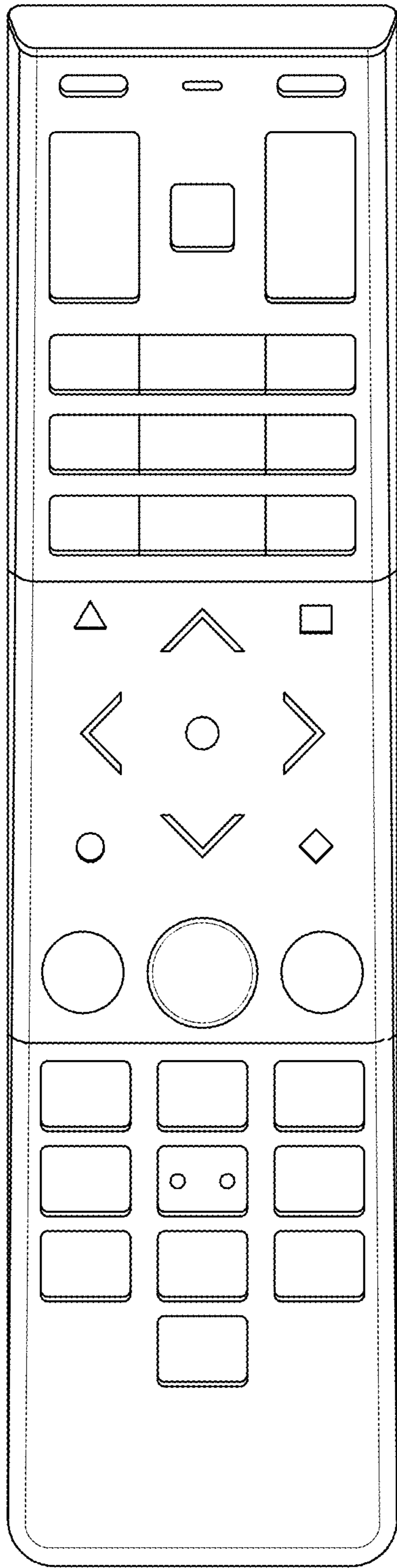


FIG. 2

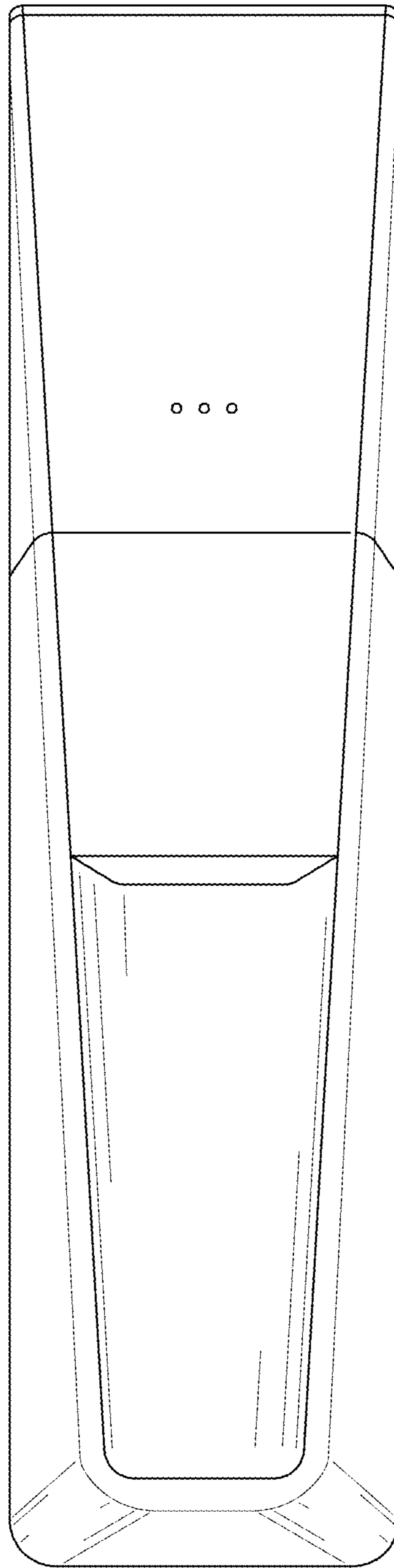


FIG. 3

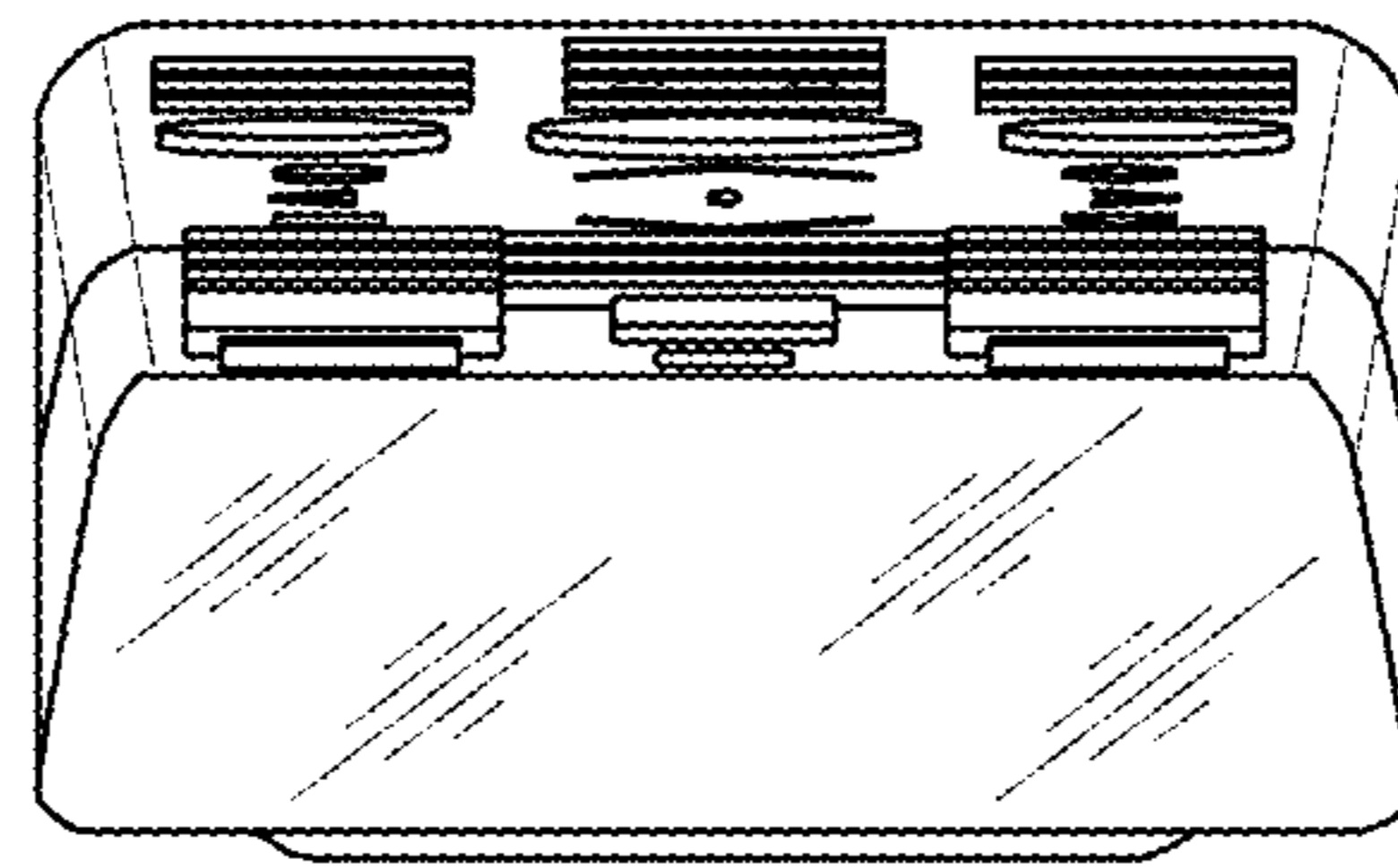


FIG. 4

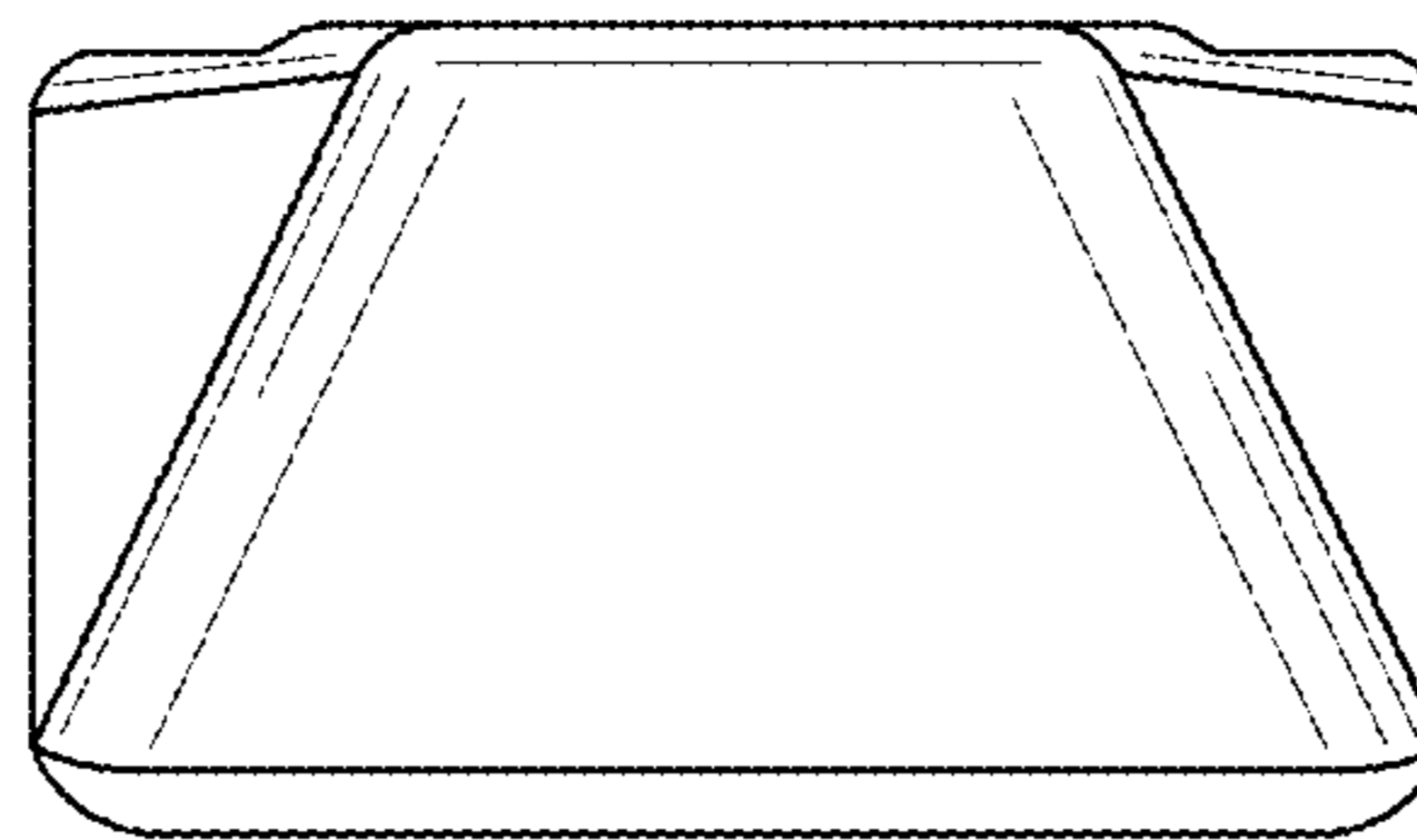


FIG. 5

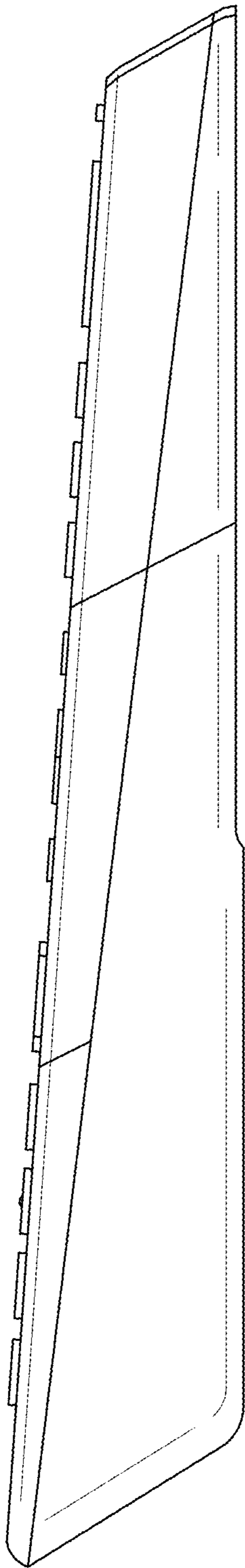


FIG. 6

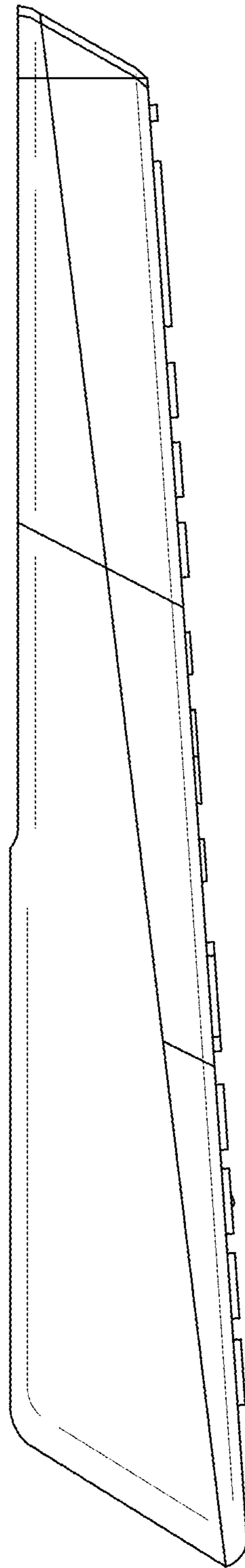


FIG. 7