



US00D825528S

(12) **United States Design Patent**
Huang

(10) **Patent No.:** **US D825,528 S**

(45) **Date of Patent:** **** Aug. 14, 2018**

(54) **PORTABLE WIRELESS SPEAKER**

(71) Applicant: **Haiming Huang**, Guangdong (CN)

(72) Inventor: **Haiming Huang**, Guangdong (CN)

(73) Assignee: **Changrong Luo**, Guangdong (CN)

(**) Term: **15 Years**

(21) Appl. No.: **29/564,441**

(22) Filed: **May 12, 2016**

(51) **LOC (11) Cl.** **14-03**

(52) **U.S. Cl.**
USPC **D14/216**

(58) **Field of Classification Search**

USPC D14/167, 168, 170–172, 188, 194–196,
D14/204, 207, 209.1, 210–216, 219, 221,
D14/222, 224, 239, 496; 181/143, 144,
181/147, 148, 150, 153, 157, 198, 199;
381/300–303, 306, 332, 333, 336, 345,
381/361–364, 386–388; 369/6–12
CPC B60R 11/0217; G06F 1/1688; G10K 9/22;
G10K 11/004; H03F 1/327; H04M 1/03;
H04M 1/035; H04N 5/642; H04N
21/4852; H04R 1/02; H04R 1/06; H04R
1/021; H04R 1/025; H04R 1/026; H04R
1/028; H04R 1/105; H04R 1/323; H04R
1/403; H04R 1/2803; H04R 1/2834;
H04R 5/02; H04R 7/20; H04R 9/06;
H04R 9/025; H04R 2201/021; H04R
2400/00; H04R 2400/07; H04R 2499/11;
H04R 2499/13; H04R 2499/15; H04S
3/00; H04S 7/30

See application file for complete search history.

(56) **References Cited**

U.S. PATENT DOCUMENTS

D498,471 S * 11/2004 Solland D14/215
D555,636 S * 11/2007 Chen D14/216

D565,547 S * 4/2008 Griffin D14/214
D619,118 S * 7/2010 Joseph D14/172
D663,718 S * 7/2012 Jang D14/214
D697,052 S * 1/2014 Loudon D14/214
D737,802 S * 9/2015 Woo D14/214
D738,848 S * 9/2015 Loudon D14/192
D739,846 S * 9/2015 Castellanos D14/216
D750,597 S * 3/2016 Fischer D14/216
D759,632 S * 6/2016 Fischer D14/204
D798,268 S * 9/2017 Fang D14/216

* cited by examiner

Primary Examiner — Keli L. Hill

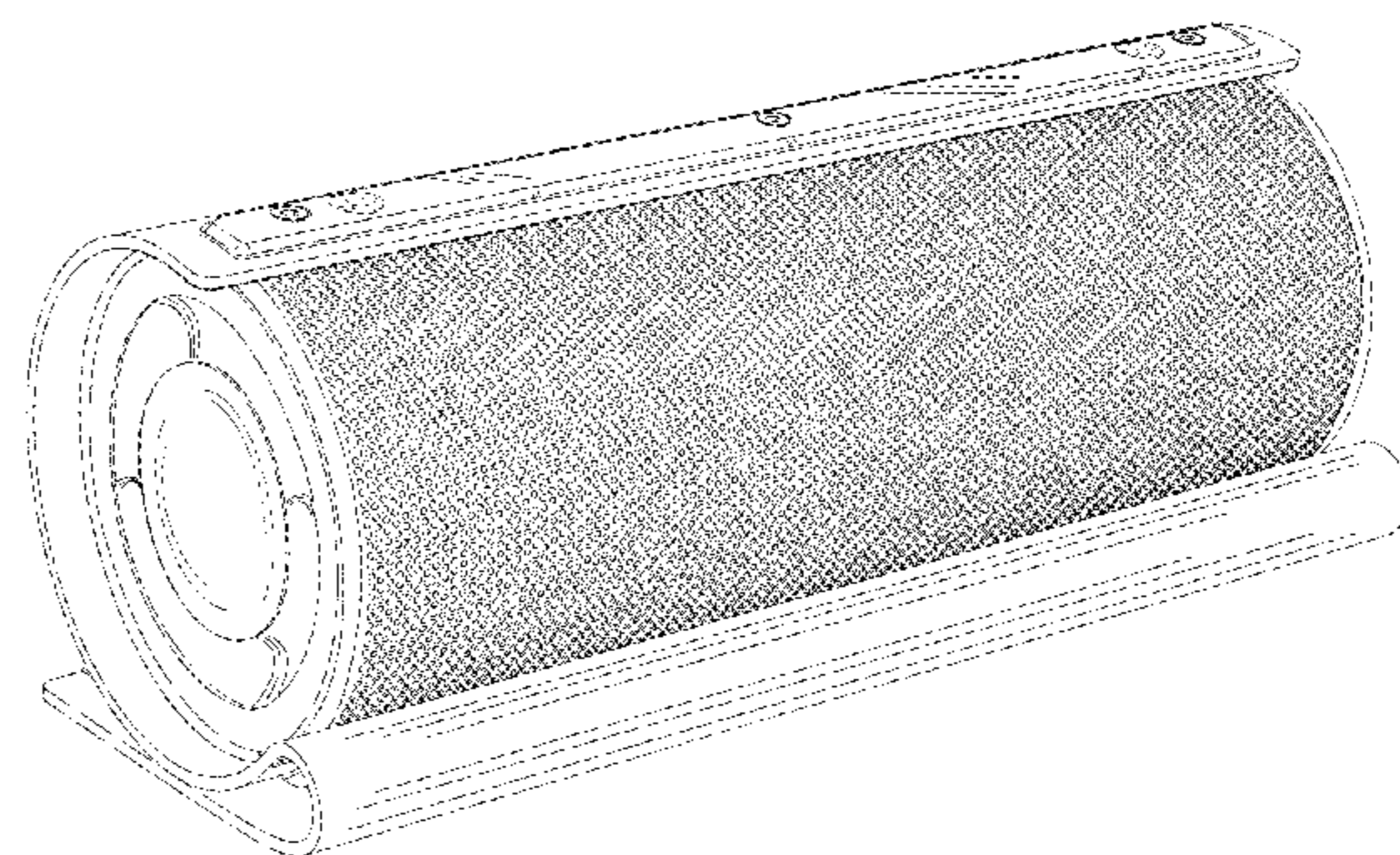
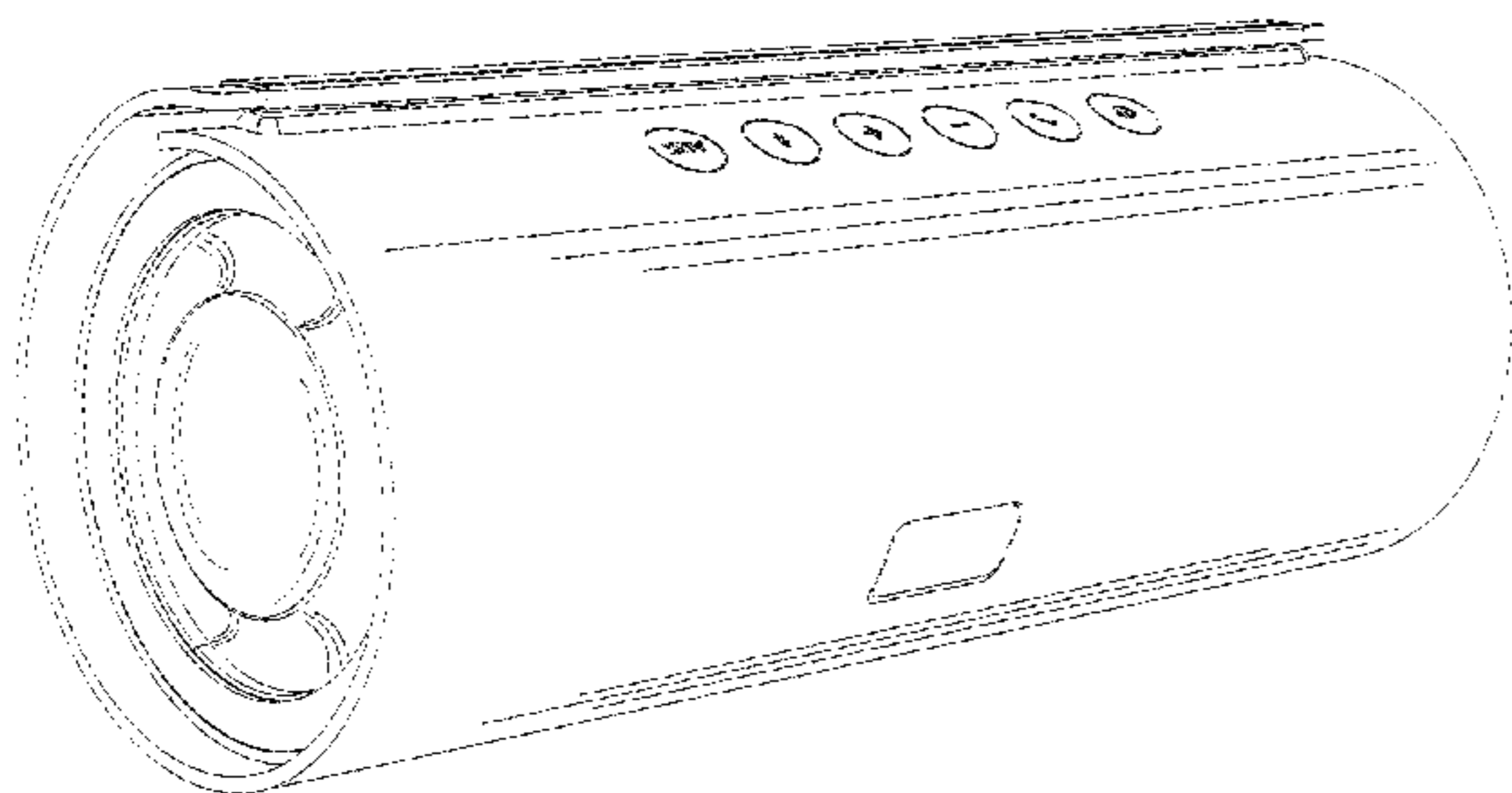
(57) **CLAIM**

The ornamental design for a portable wireless speaker, as shown and described.

DESCRIPTION

FIG. 1 is a front elevational view of a portable wireless speaker showing my new design;
FIG. 2 is a rear elevational view thereof;
FIG. 3 is a left side view thereof;
FIG. 4 is a right side view thereof;
FIG. 5 is a top plan view thereof;
FIG. 6 is a bottom plan view thereof;
FIG. 7 is a perspective view thereof;
FIG. 8 is another perspective view thereof;
FIG. 9 is a front elevational view of a portable wireless speaker showing in open state;
FIG. 10 is a rear elevational view thereof;
FIG. 11 is a left side view thereof;
FIG. 12 is a right side view thereof;
FIG. 13 is a top plan view thereof;
FIG. 14 is a bottom plan view thereof;
FIG. 15 is a perspective view thereof; and,
FIG. 16 is another perspective view thereof.

1 Claim, 6 Drawing Sheets



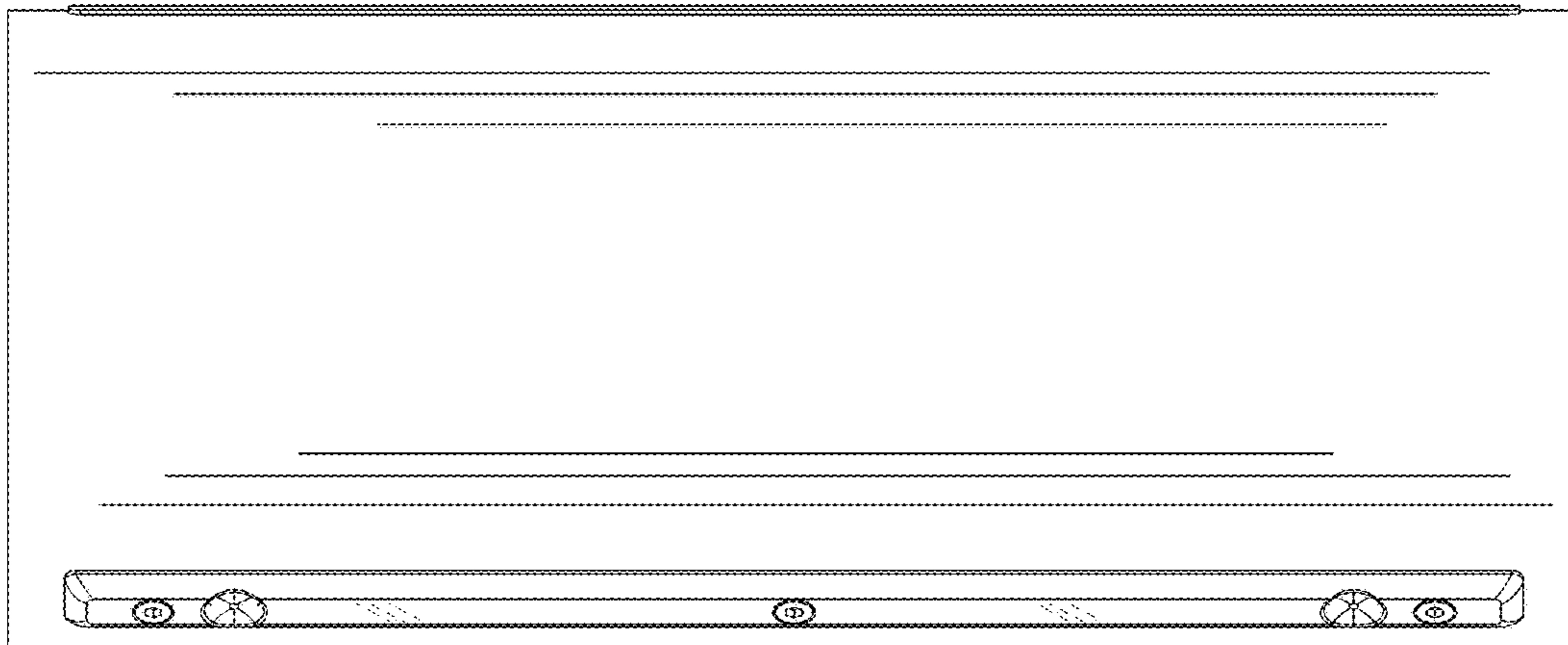


FIG. 1

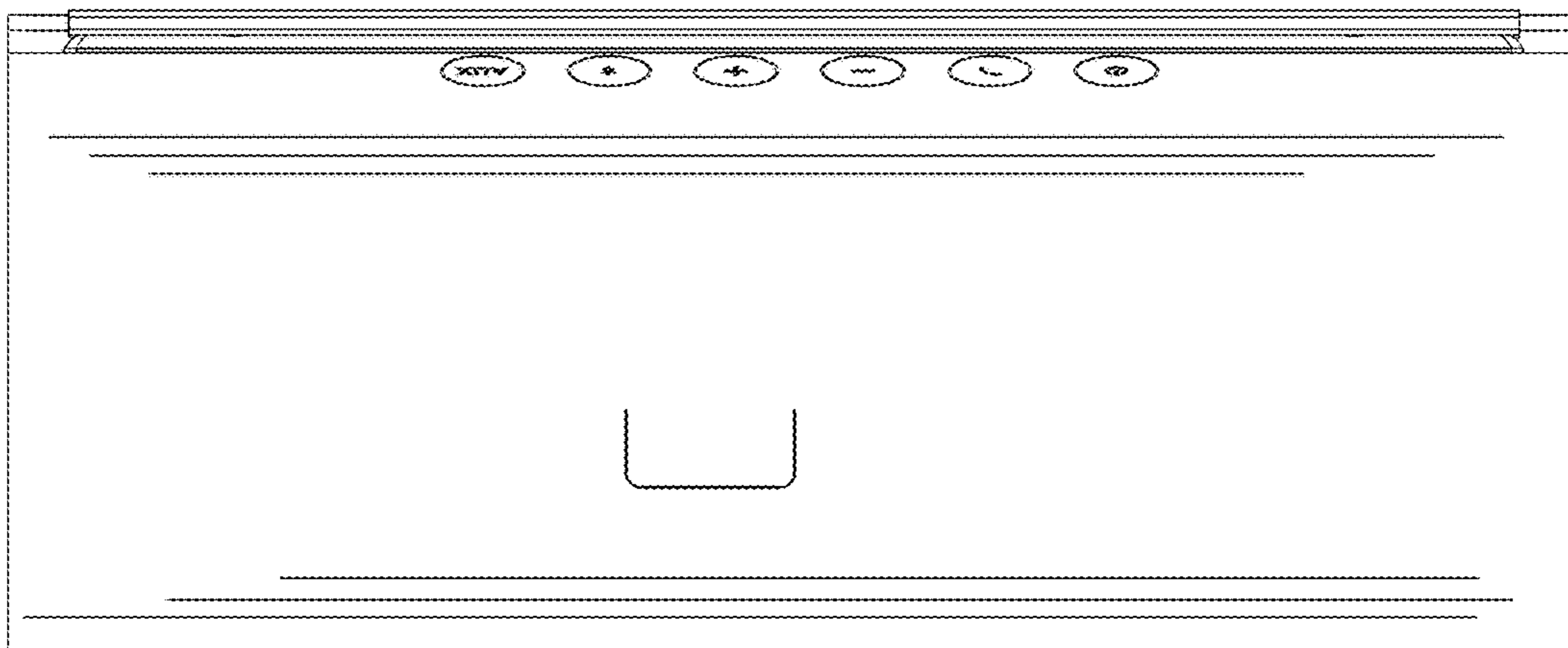


FIG. 2

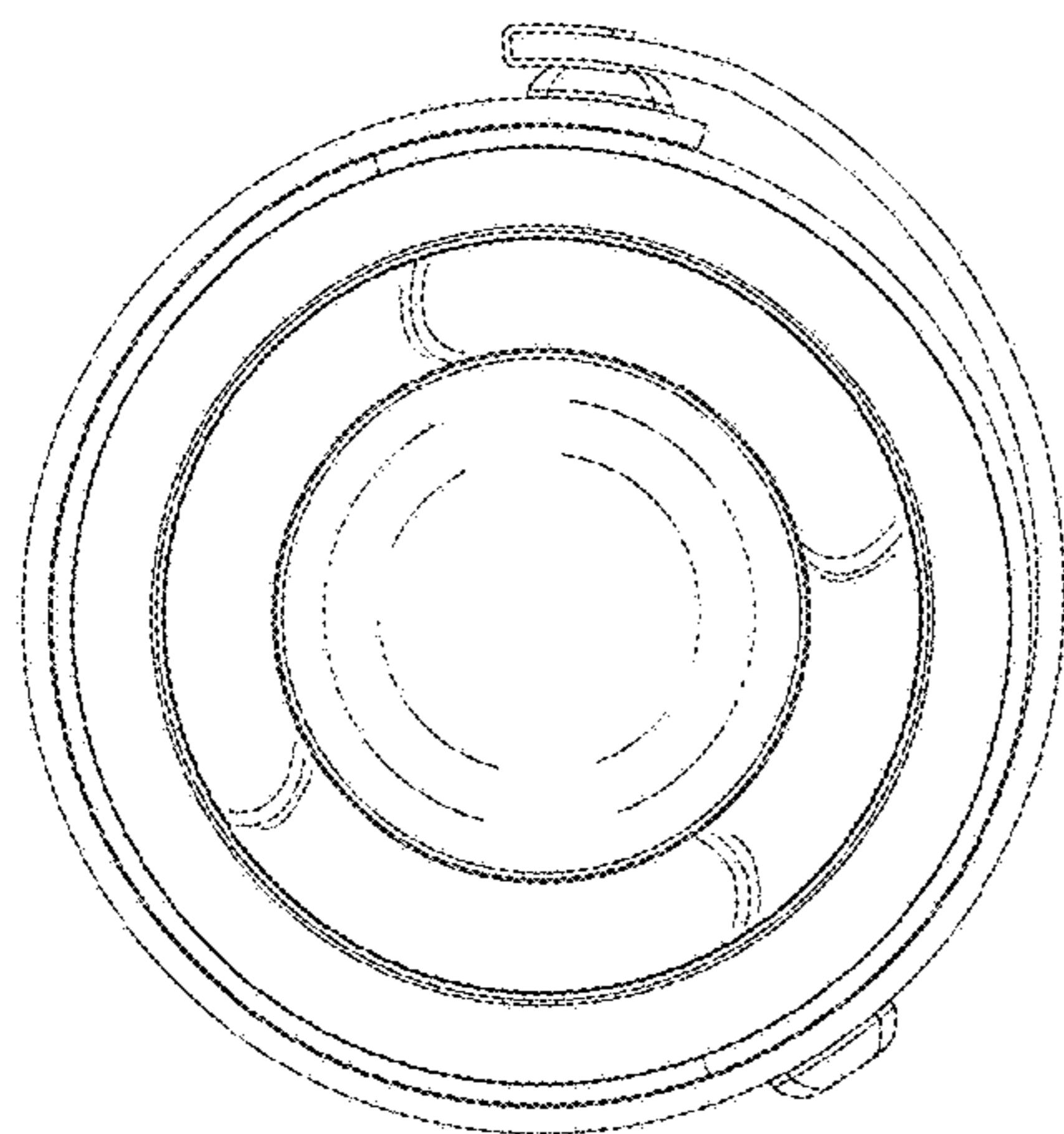


FIG. 3

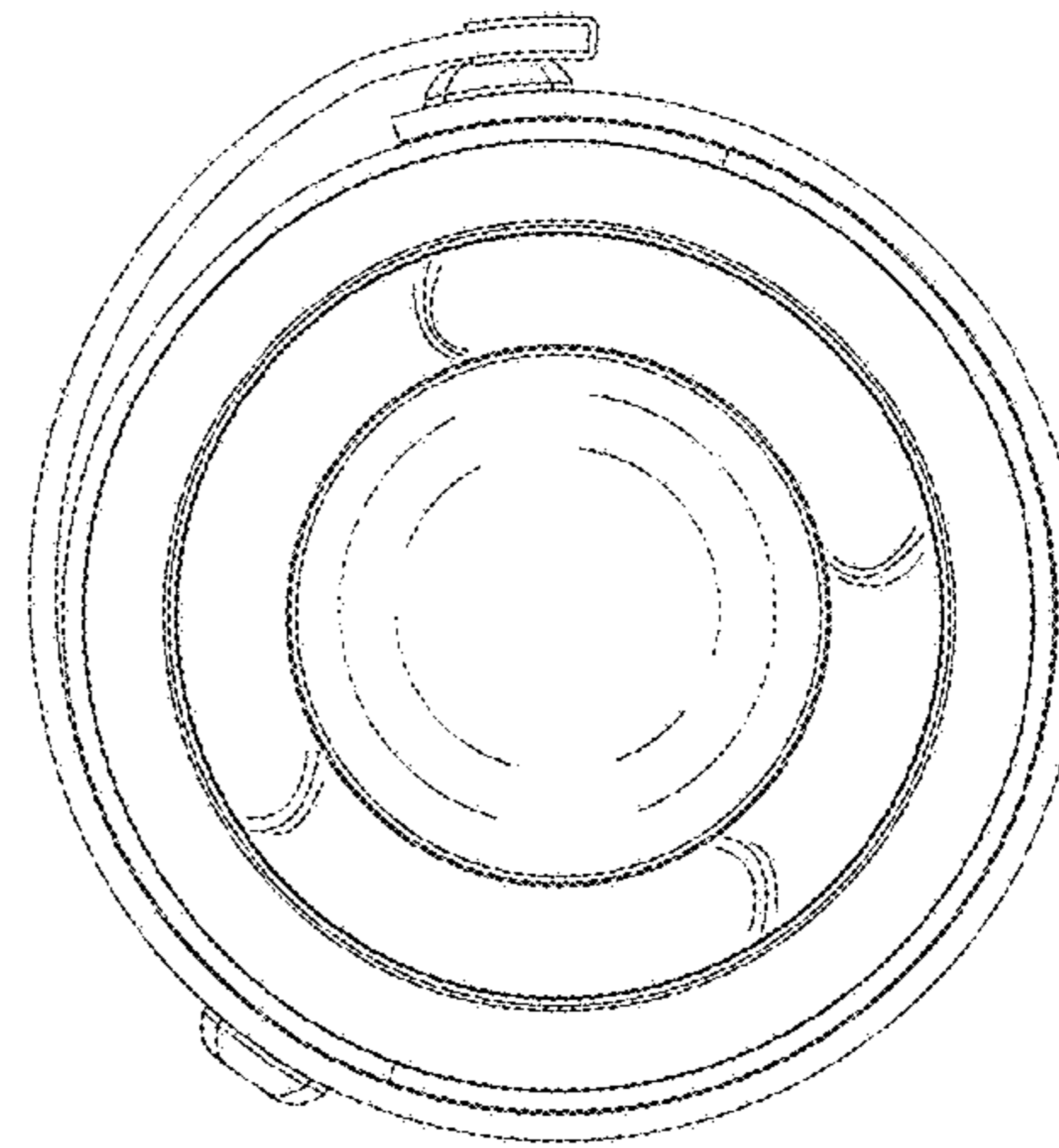


FIG. 4

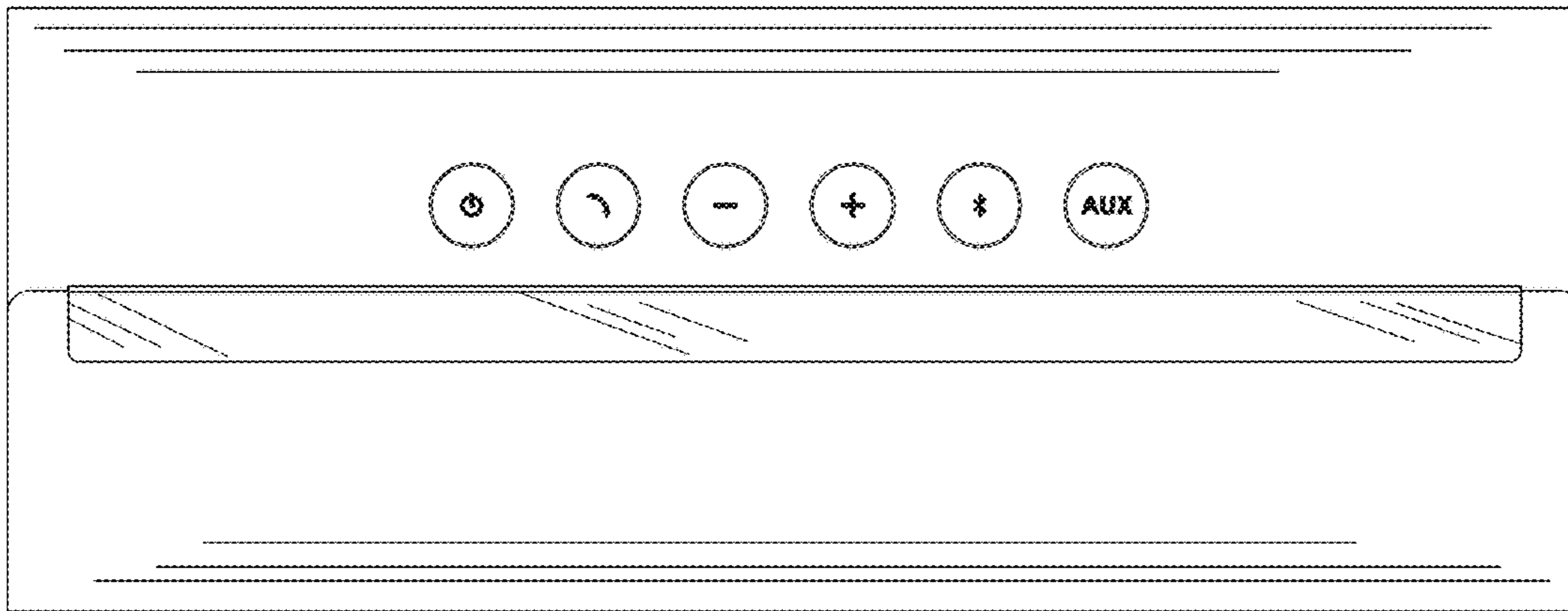


FIG. 5

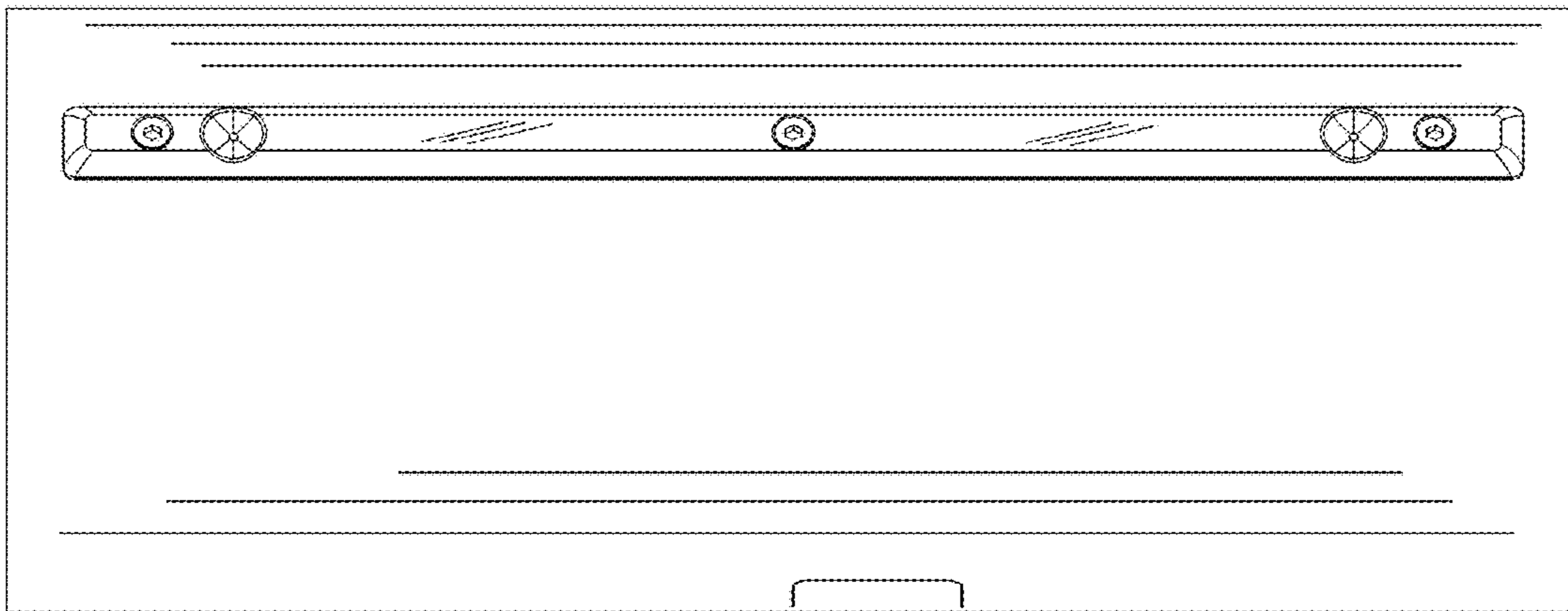


FIG. 6

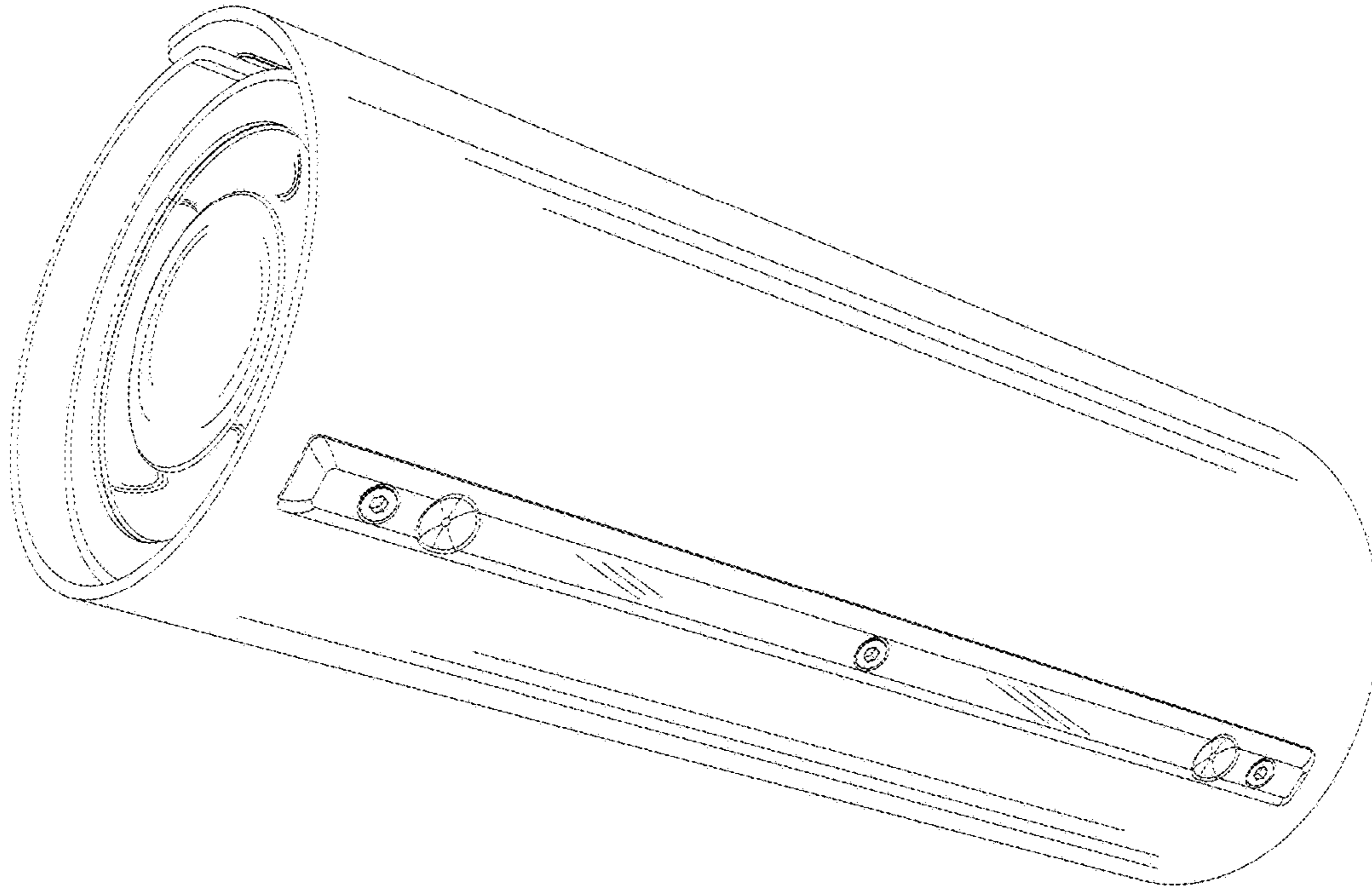


FIG. 7

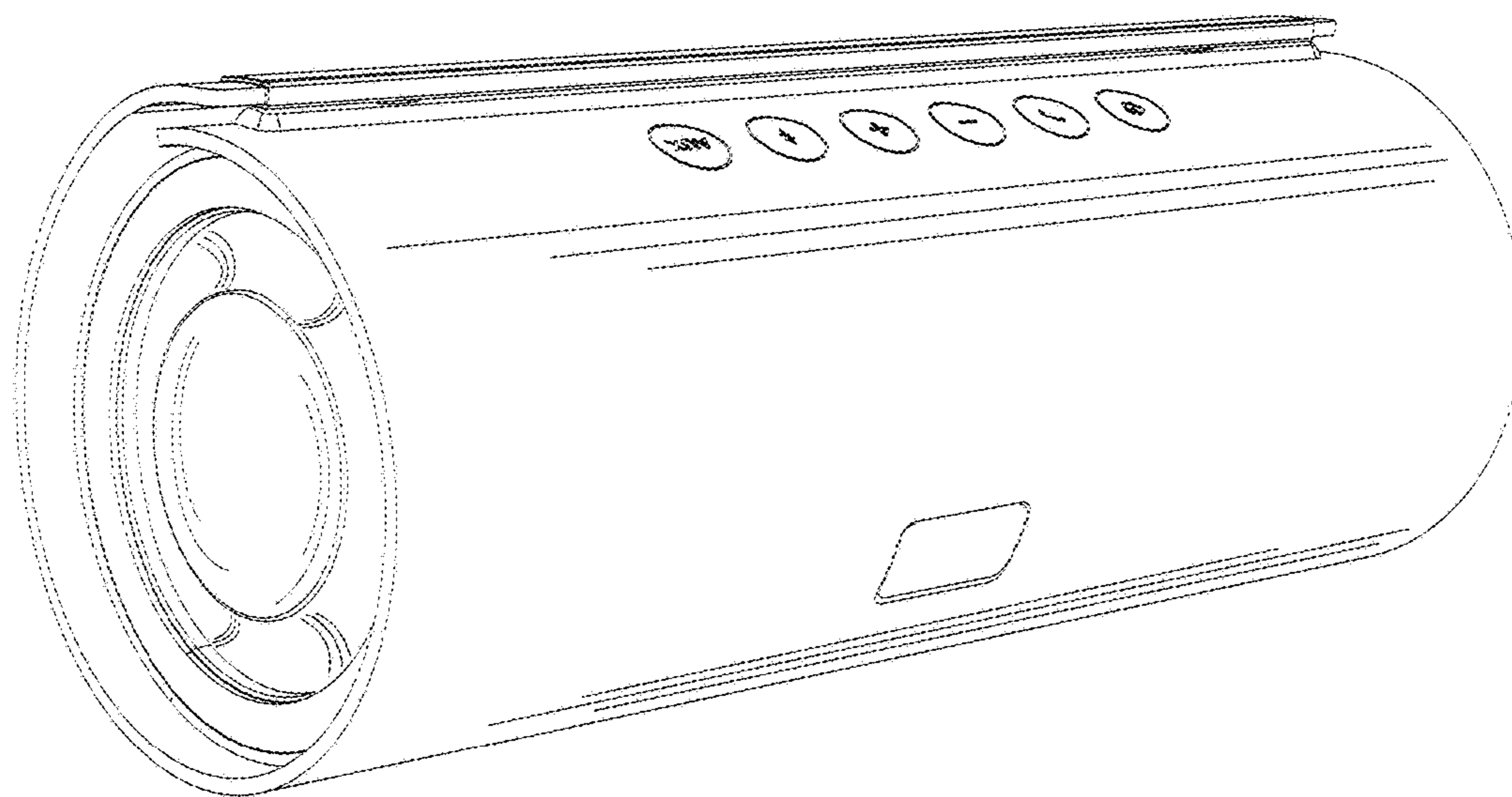


FIG. 8



FIG. 9

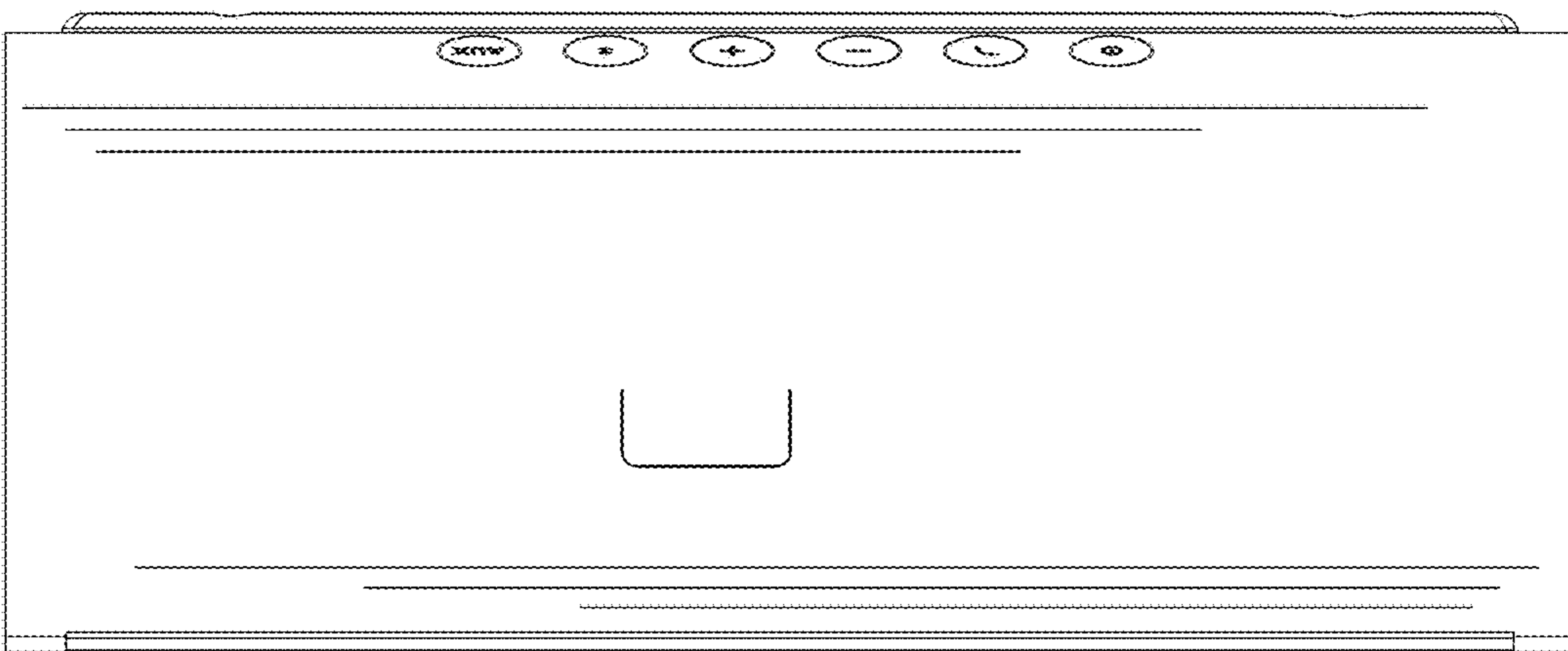


FIG. 10

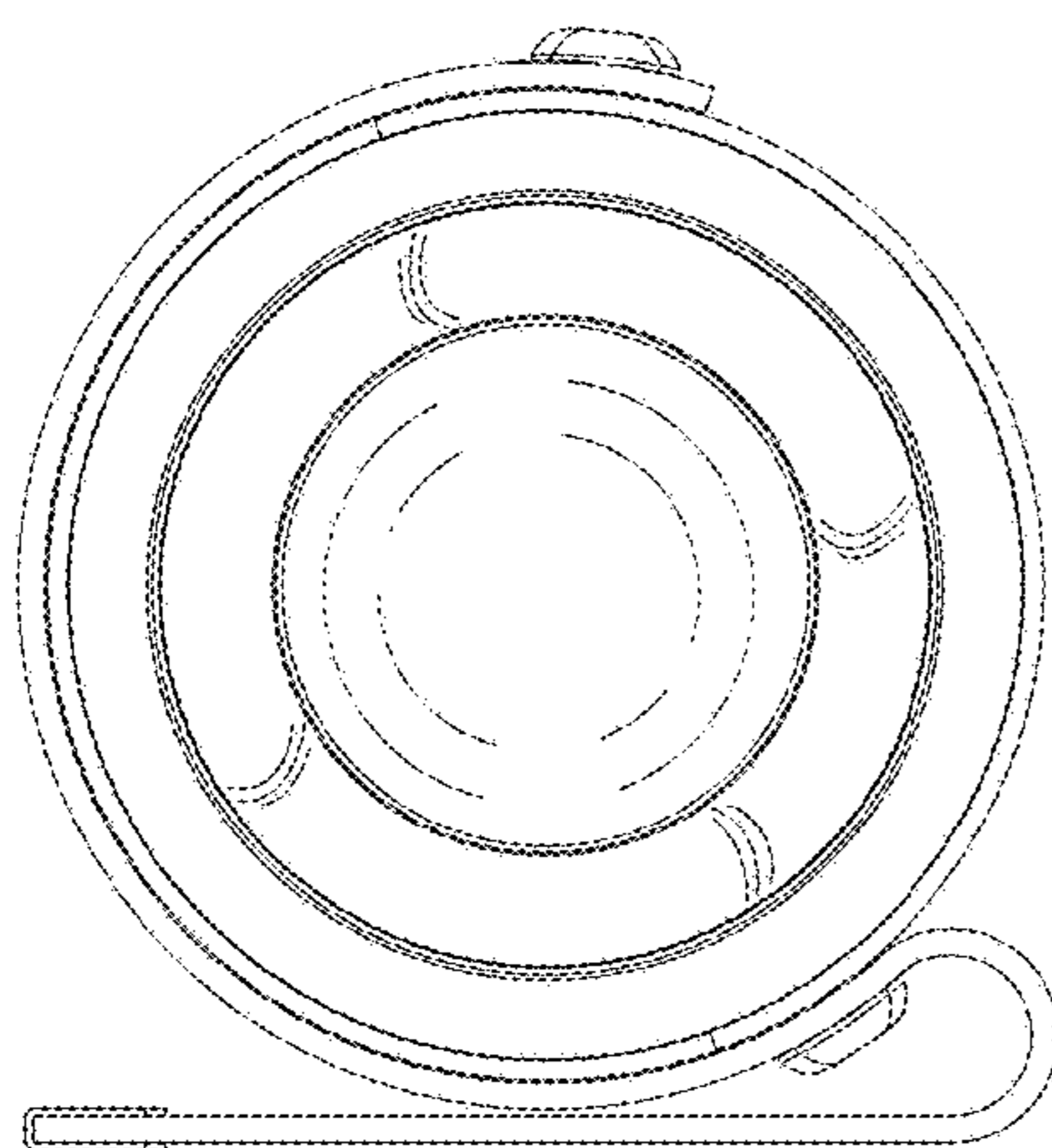


FIG. 11

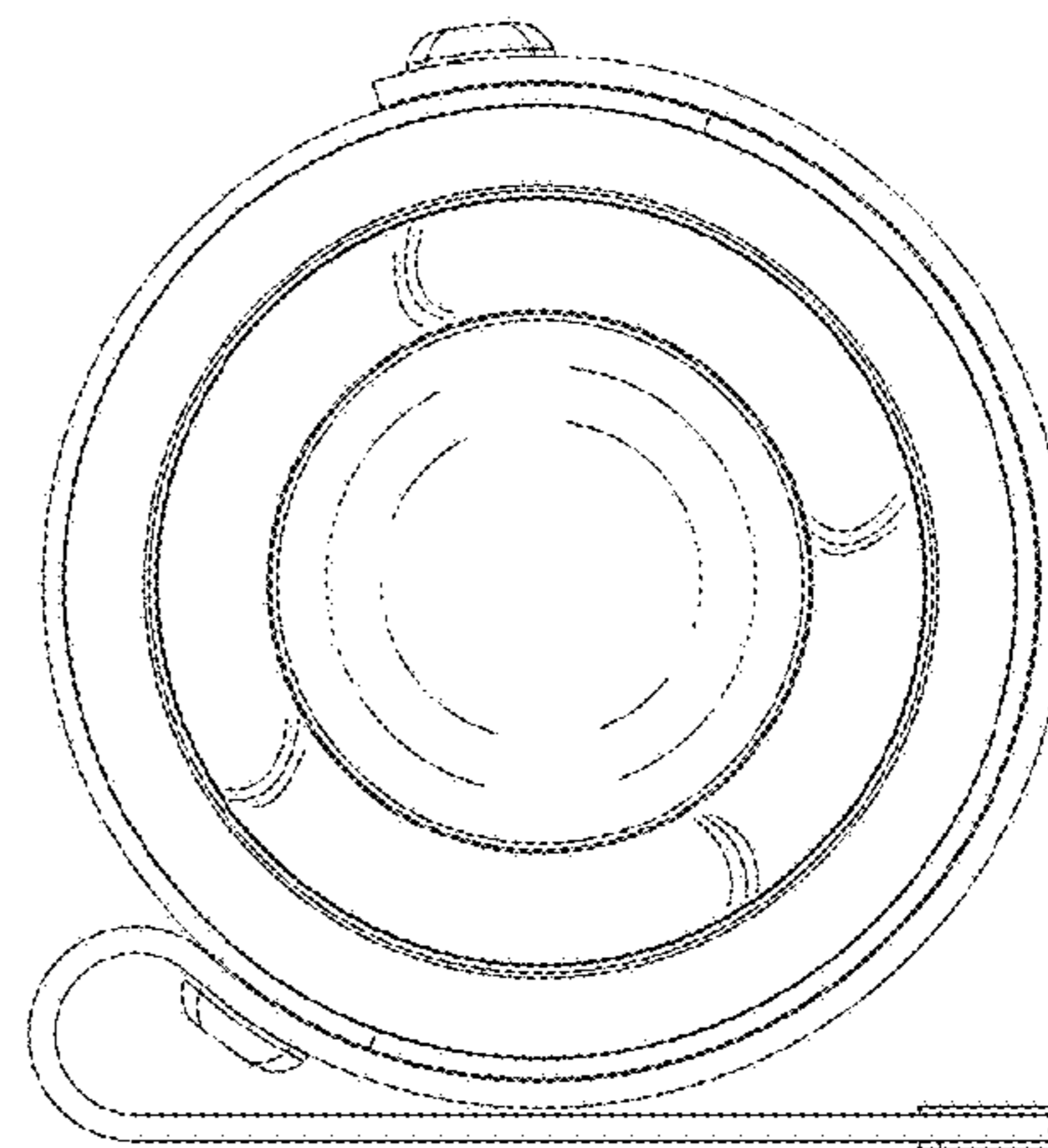


FIG. 12

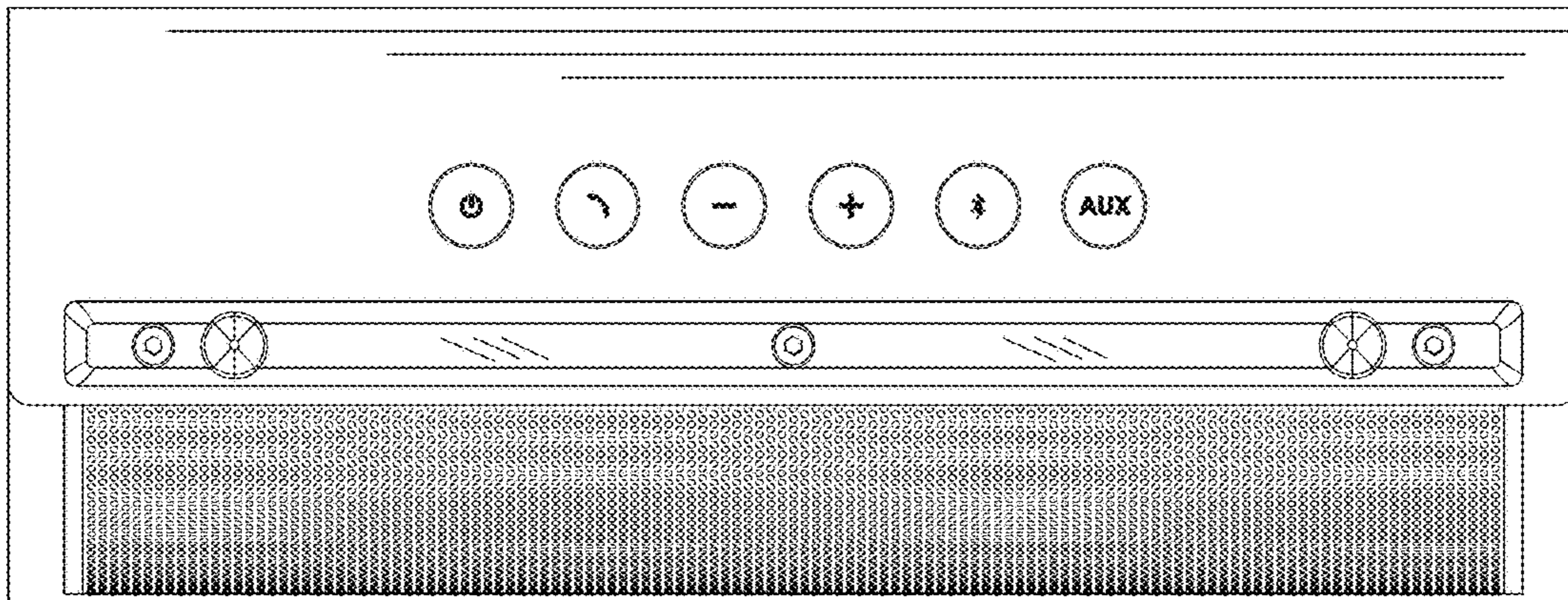


FIG. 13

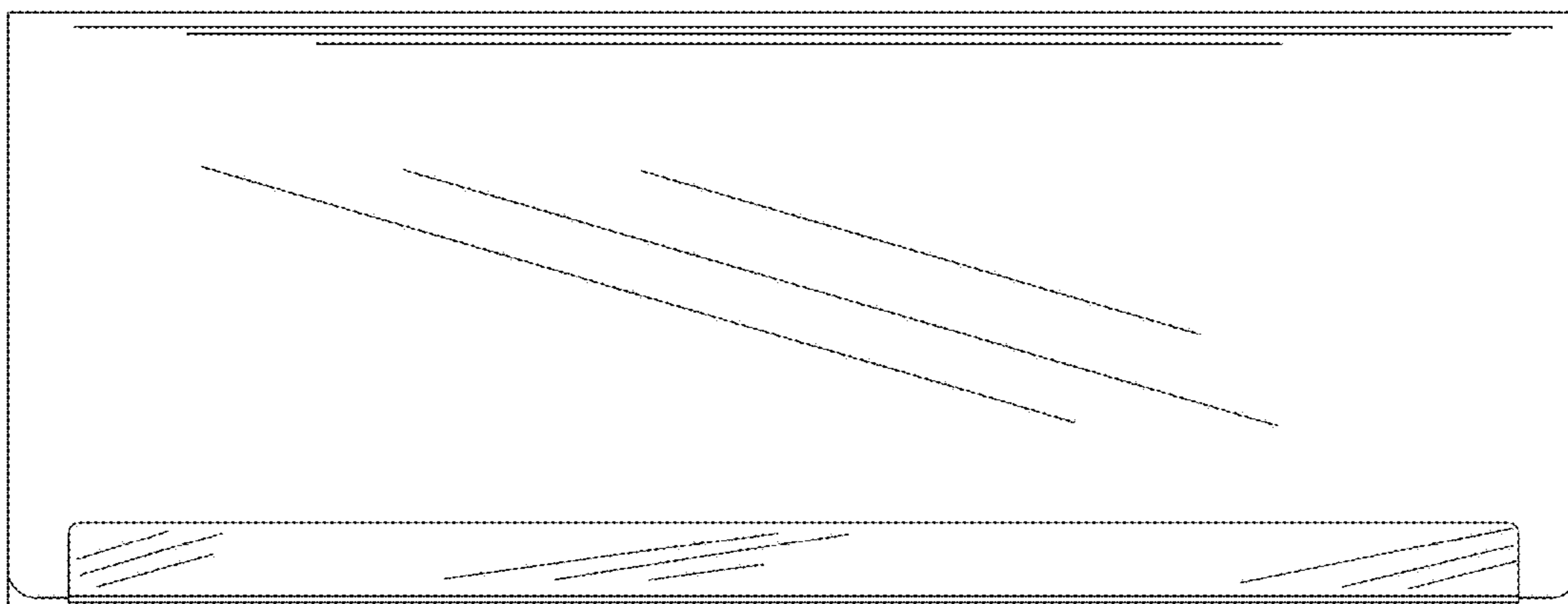


FIG. 14

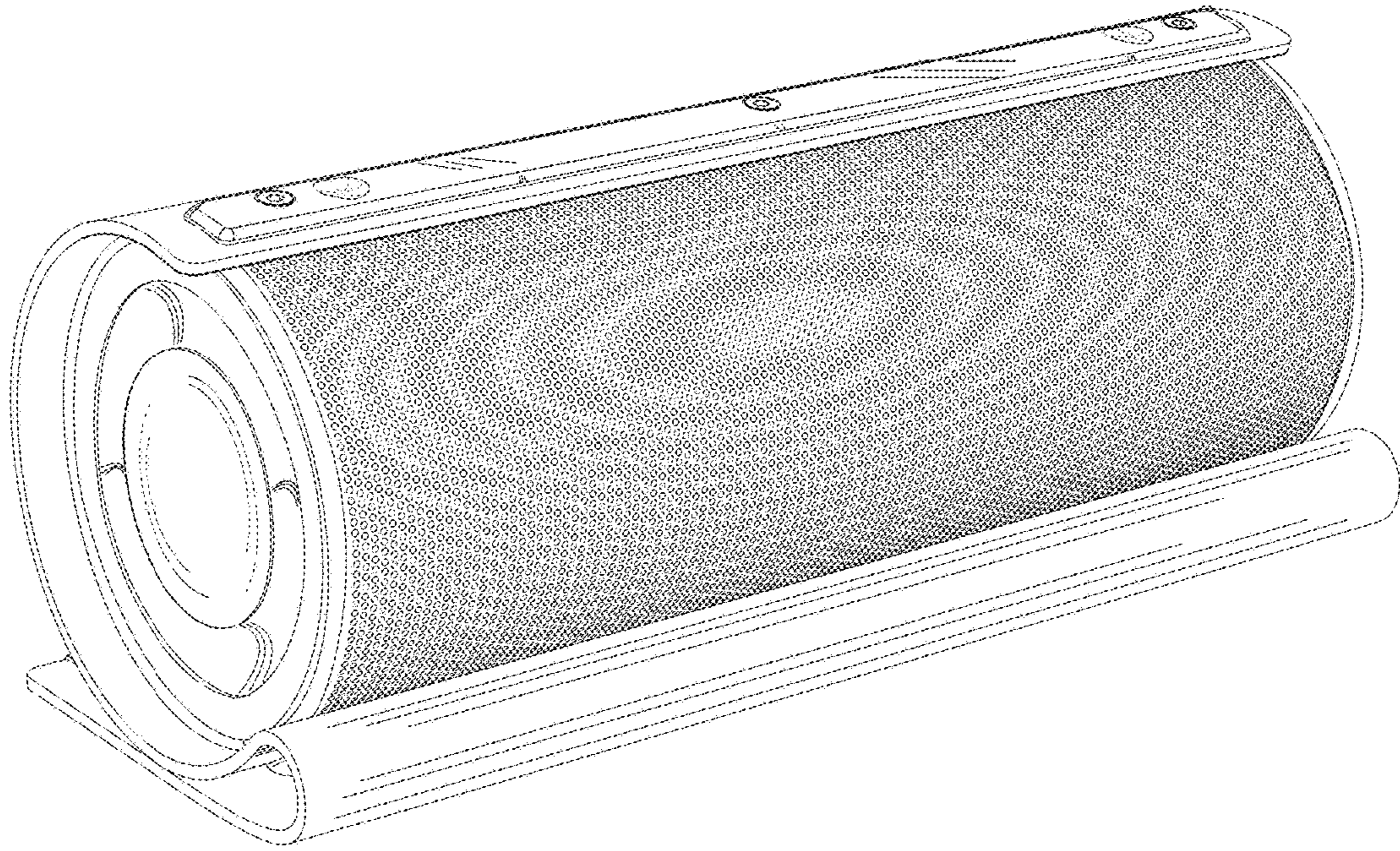


FIG. 15

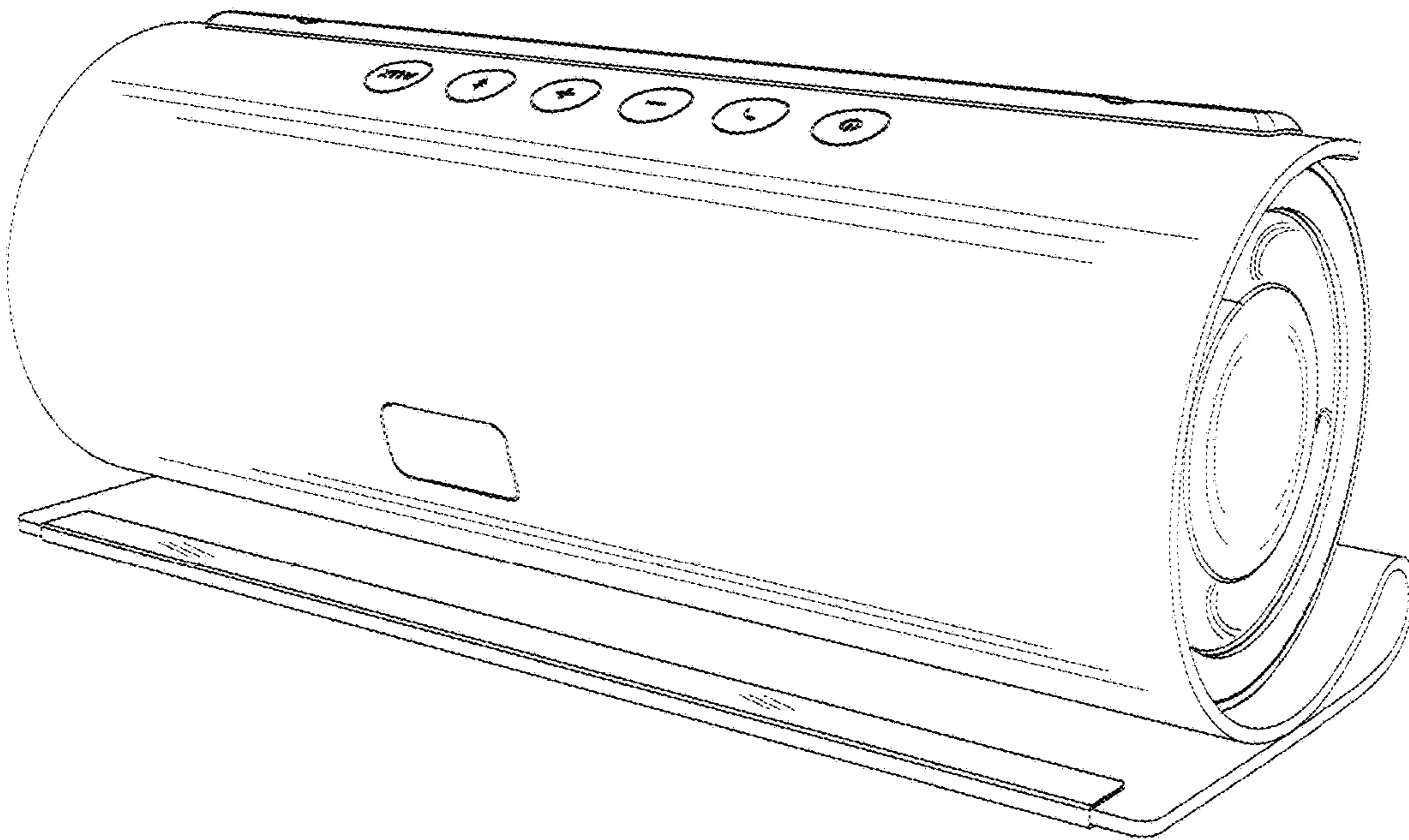


FIG. 16