



US00D825527S

(12) **United States Design Patent**
Won et al.

(10) **Patent No.:** **US D825,527 S**

(45) **Date of Patent:** **** Aug. 14, 2018**

(54) **AUDIO VISUAL BOX FOR TV RECEIVER**

(71) Applicant: **LG ELECTRONICS INC.**, Seoul (KR)

(72) Inventors: **Hyojin Won**, Seoul (KR); **Hyeyoung Hong**, Seoul (KR); **Yongho Lee**, Seoul (KR); **Youngkyoung Kim**, Seoul (KR)

(73) Assignee: **LG ELECTRONICS INC.**, Seoul (KR)

(**) Term: **15 Years**

(21) Appl. No.: **35/502,962**

(22) Filed: **Nov. 8, 2016**

(80) **Hague Agreement Data**

Int. Filing Date: **Nov. 8, 2016**

Int. Reg. No.: **DM/093423**

Int. Reg. Date: **Nov. 8, 2016**

Int. Reg. Pub. Date: **May 12, 2017**

(51) **LOC (11) Cl.** **14-03**

(52) **U.S. Cl.**
USPC **D14/215**

CPC **H04R 1/023** (2013.01)

(58) **Field of Classification Search**

USPC D14/125, 126, 193–133, 375, 376, 221,
D14/224, 224.1, 239, 242, 204, 209.1,
D14/210–216, 357–358, 451, 496, 172,
D14/194, 195

CPC . B60R 11/0217; B60R 11/0223; H04R 1/023;
H04R 1/025; H04R 1/323; H04R 5/02;
H04R 19/02; H04F 2400/00; H04F
2400/07; H04F 2400/11; G06F 1/16

See application file for complete search history.

(56) **References Cited**

U.S. PATENT DOCUMENTS

D629,374 S * 12/2010 Fujii D14/126

D638,823 S * 5/2011 Schindler D14/214

D654,907 S *	2/2012	McManigal	D14/214
D655,274 S *	3/2012	McManigal	D14/214
D676,831 S *	2/2013	Onoue	D14/215
D681,606 S *	5/2013	Nishii	D14/214
D715,257 S *	10/2014	Son	D14/214
D726,153 S *	4/2015	Chang	D14/214
D738,853 S *	9/2015	Savage	D14/214
D748,072 S *	1/2016	Jones	D14/204
D756,961 S *	5/2016	White	D14/214
D756,962 S *	5/2016	White	D14/214
D756,963 S *	5/2016	White	D14/214
D756,964 S *	5/2016	White	D14/214
D757,686 S *	5/2016	White	D14/214
D757,687 S *	5/2016	White	D14/214
D759,624 S *	6/2016	Byrd	D14/204
D759,630 S *	6/2016	Huang	D14/214
D801,306 S *	10/2017	Czaniecki	D14/215
D802,560 S *	11/2017	Kitazawa	D14/214
D805,125 S *	12/2017	Choi	D17/1

* cited by examiner

Primary Examiner — Richard E Chilcot

(74) *Attorney, Agent, or Firm* — Birch, Stewart, Kolasch & Birch, LLP

(57) **CLAIM**

The ornamental design for an audio visual box for TV receiver, as shown and described.

DESCRIPTION

1. Audio visual box for TV receiver

1.1 : Perspective

1.2 : Front

1.3 : Back

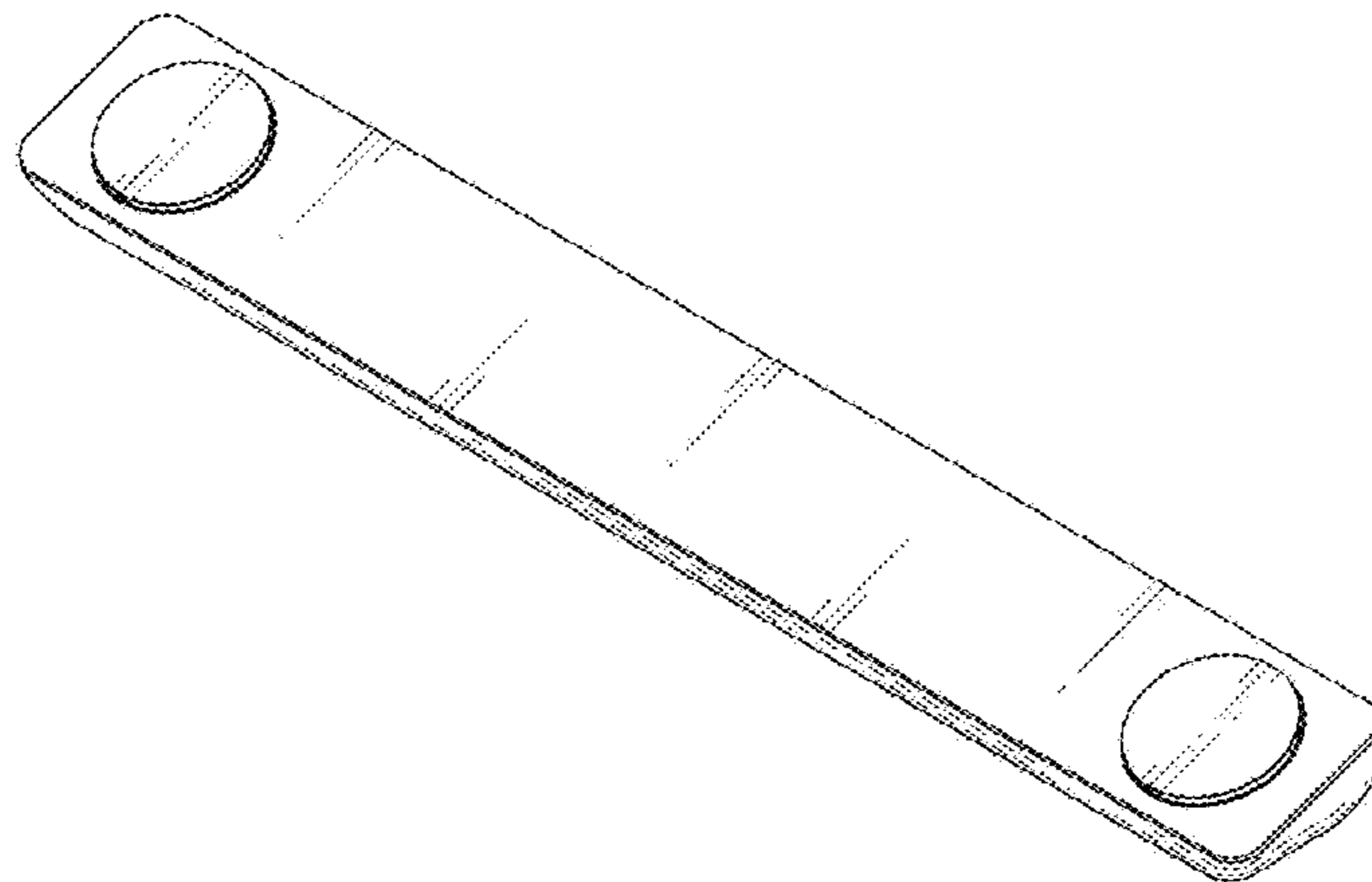
1.4 : Left

1.5 : Right

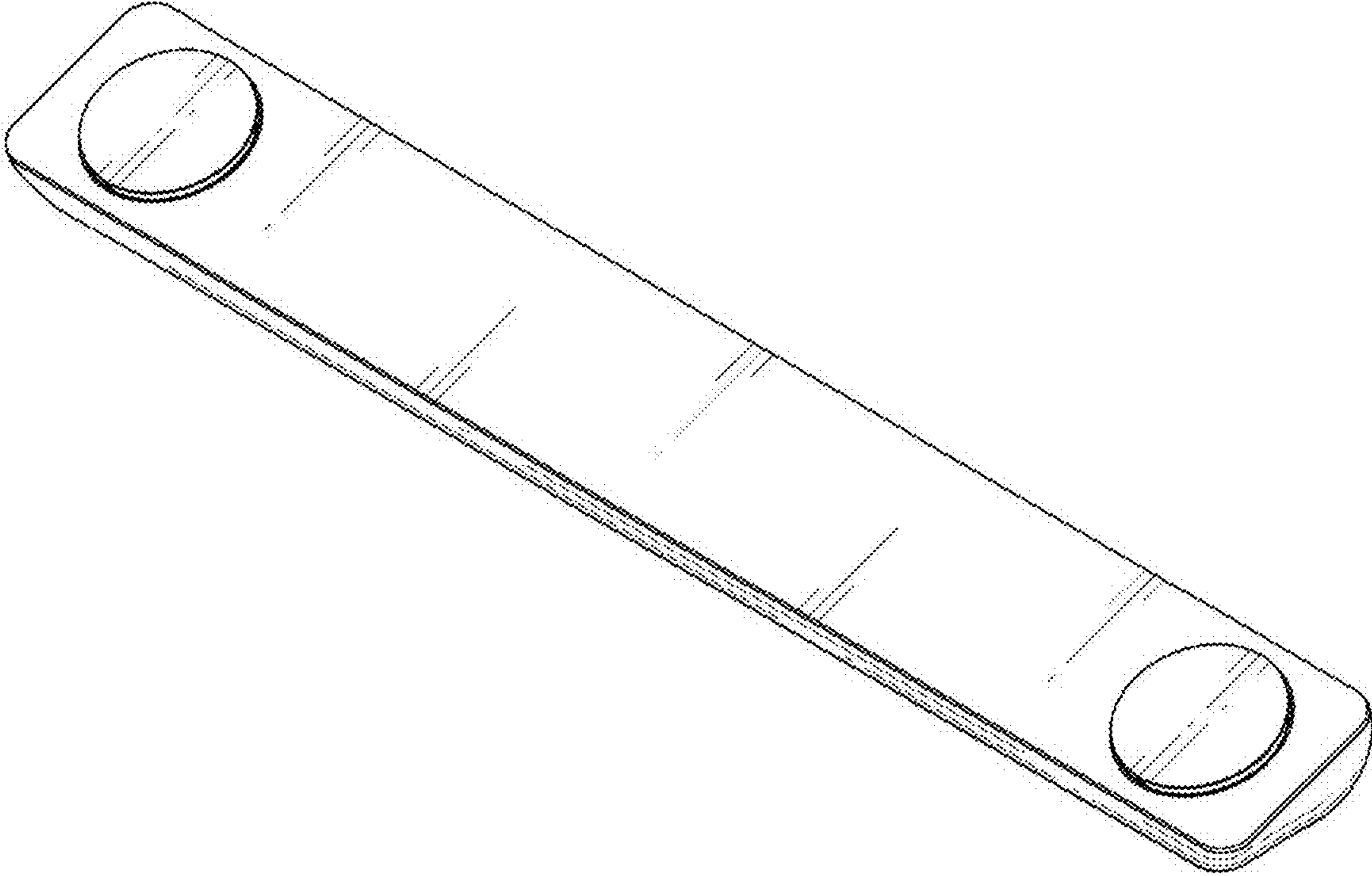
1.6 : Top

1.7 : Bottom

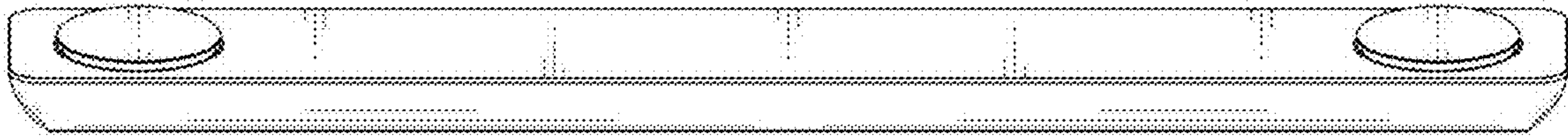
1 Claim, 7 Drawing Sheets



1.1



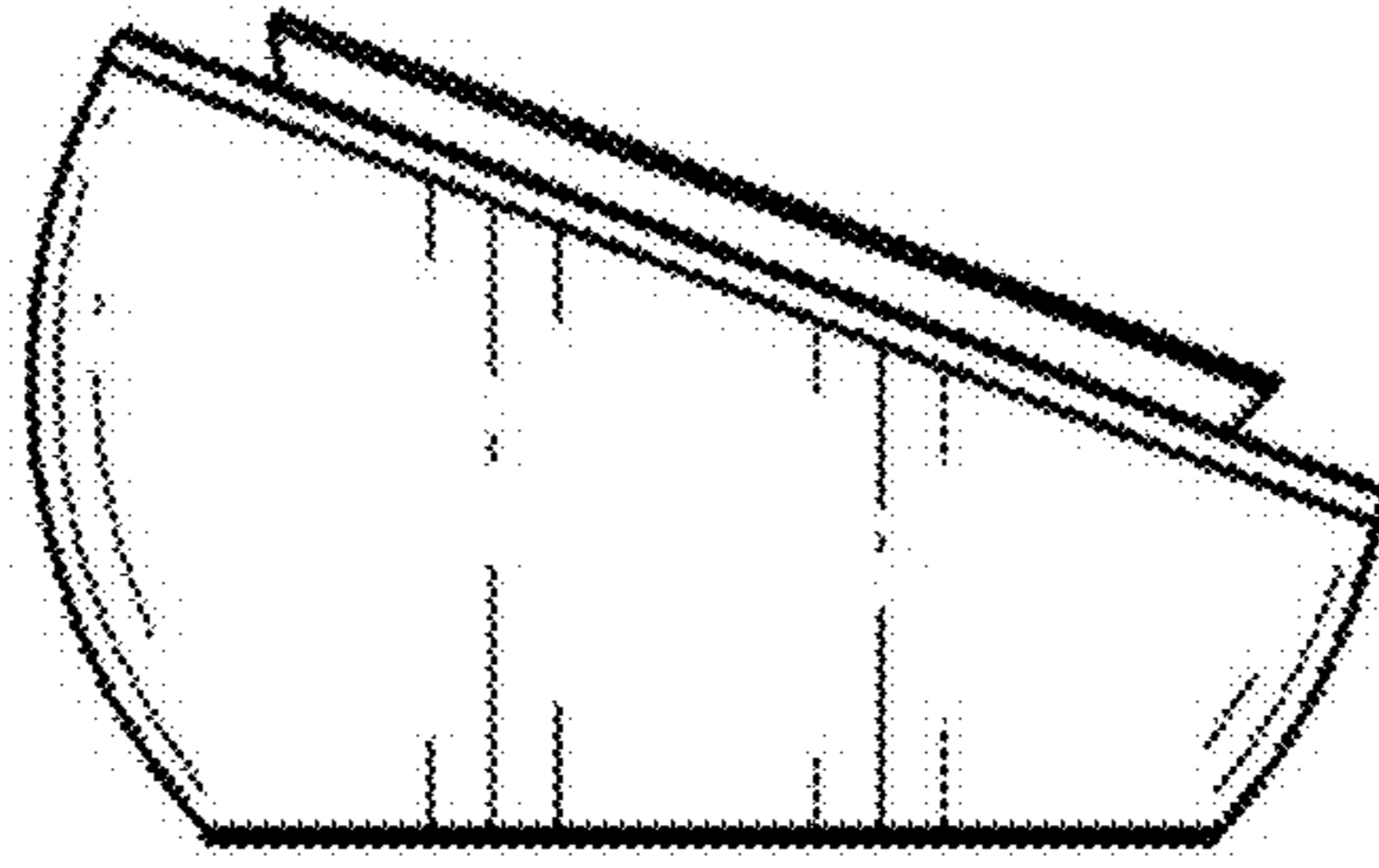
1.2



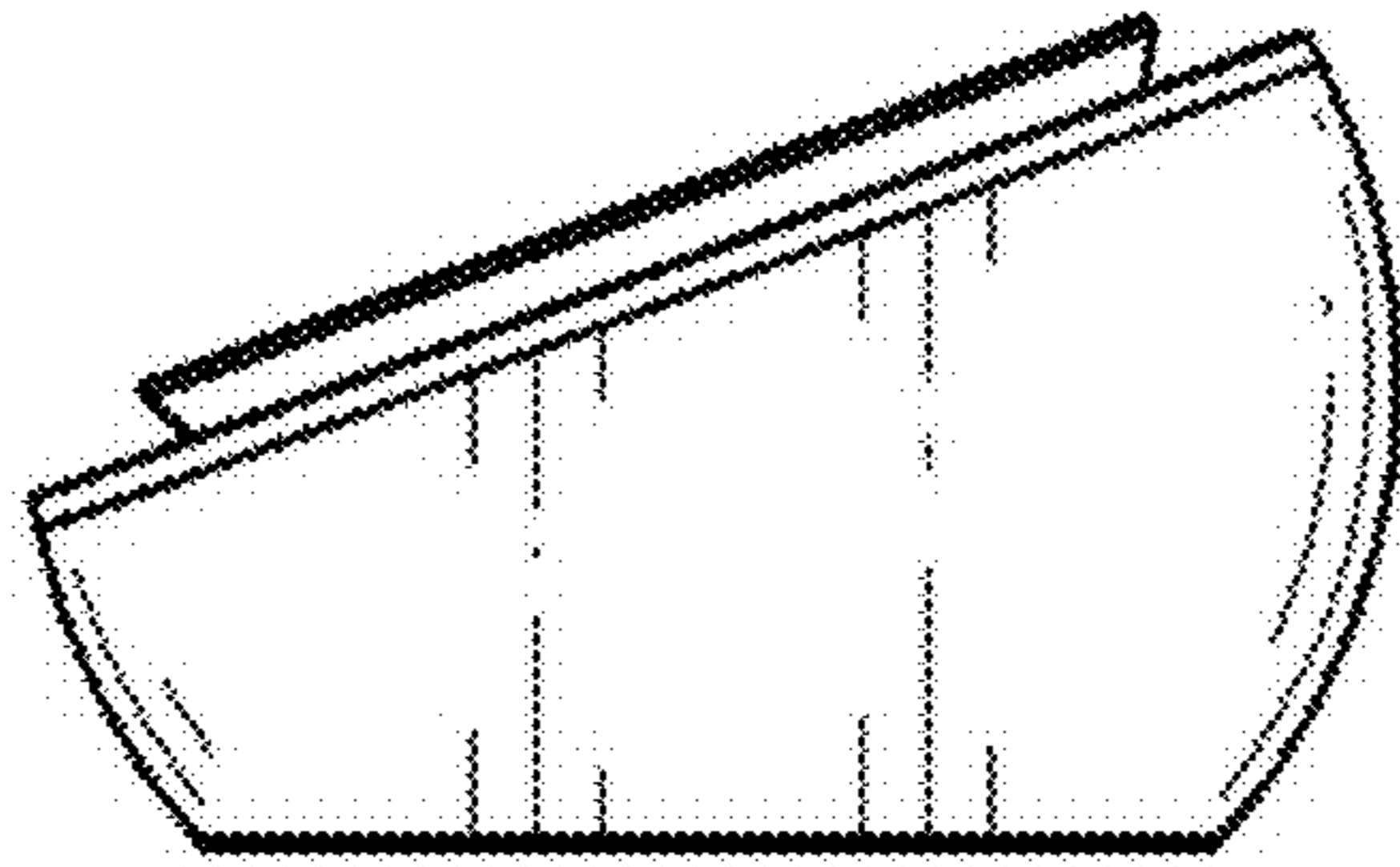
1.3



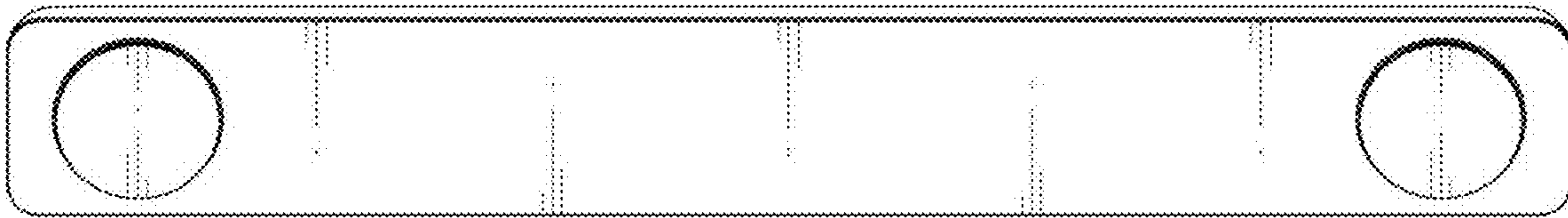
1.4



1.5



1.6



1.7

