



US00D825526S

(12) **United States Design Patent**  
**Valeur**

(10) **Patent No.:** **US D825,526 S**

(45) **Date of Patent:** **\*\* Aug. 14, 2018**

(54) **LOUDSPEAKER**  
(71) Applicant: **BANG & OLUFSEN A/S**, Struer (DK)  
(72) Inventor: **Torsten Valeur**, København V (DK)  
(\*\*) Term: **15 Years**

D466,885 S \* 12/2002 MacFarlane ..... D14/204  
D496,651 S \* 9/2004 Borsboom ..... D14/216  
D623,628 S \* 9/2010 Solland ..... D14/214  
D653,237 S \* 1/2012 Davies ..... D14/211  
D718,281 S \* 11/2014 Schmiedbauer ..... D14/216  
D743,371 S \* 11/2015 Nardin ..... D14/209.1  
D755,751 S \* 5/2016 Valeur ..... D14/204  
D760,193 S \* 6/2016 Vassilkov ..... D14/213

(21) Appl. No.: **35/502,152**

\* cited by examiner

(22) Filed: **Dec. 12, 2016**

*Primary Examiner* — Michael A. Pratt

(80) **Hague Agreement Data**

Int. Filing Date: **Dec. 12, 2016**  
Int. Reg. No.: **DM/093825**  
Int. Reg. Date: **Dec. 12, 2016**  
Int. Reg. Pub. Date: **Dec. 23, 2016**

(57) **CLAIM**

The ornamental design for a loudspeaker, as shown and described.

(51) **LOC (11) Cl.** ..... **14-04**

(52) **U.S. Cl.**  
USPC ..... **D14/214**

**DESCRIPTION**

(58) **Field of Classification Search**  
USPC .... D14/204, 209.1, 210, 211, 212, 213–217,  
D14/221, 224  
CPC . H05K 5/00; H04R 25/00; H04R 7/26; H04R  
1/02; H04R 1/28; H04R 1/26; H04R  
5/00; H04R 5/02  
See application file for complete search history.

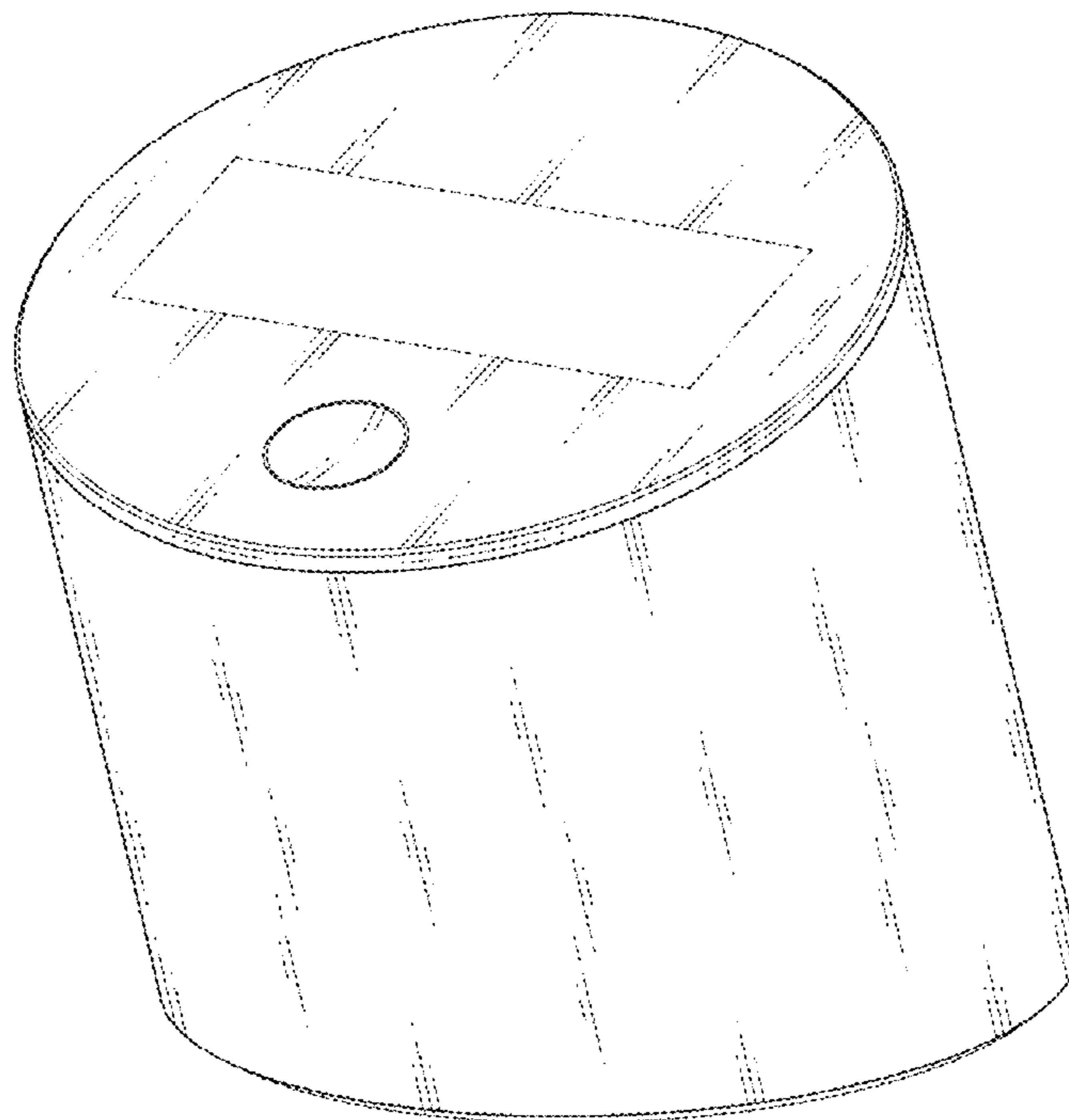
- 1. Loudspeakers
- 1.1 : Perspective
- 1.2 : Back
- 1.3 : Left
- 1.4 : Front
- 1.5 : Right
- 1.6 : Perspective
- 1.7 : Top

(56) **References Cited**

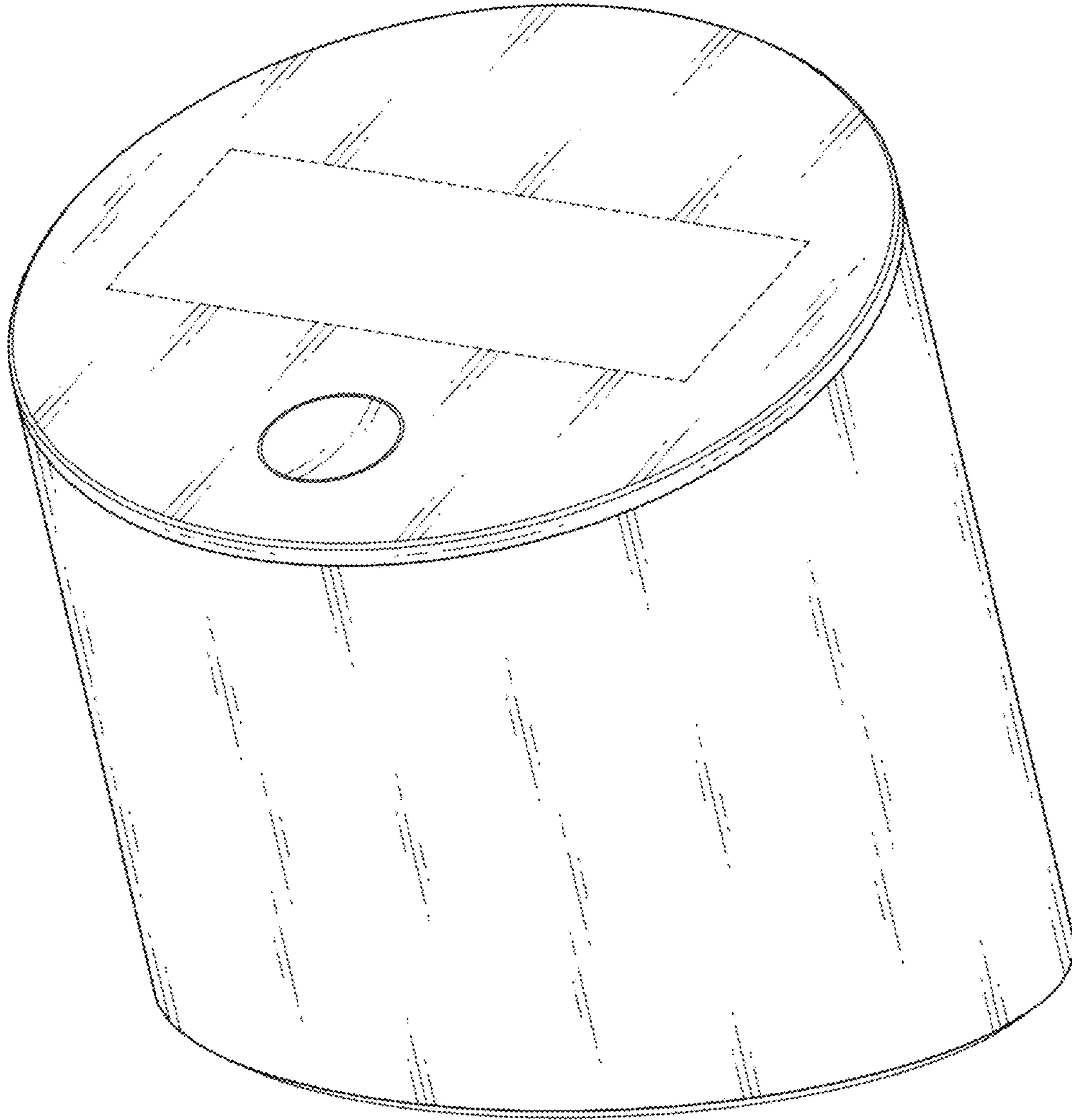
U.S. PATENT DOCUMENTS

D327,067 S \* 6/1992 Kohan ..... D14/215  
D329,234 S \* 9/1992 Winkelbauer ..... D14/204

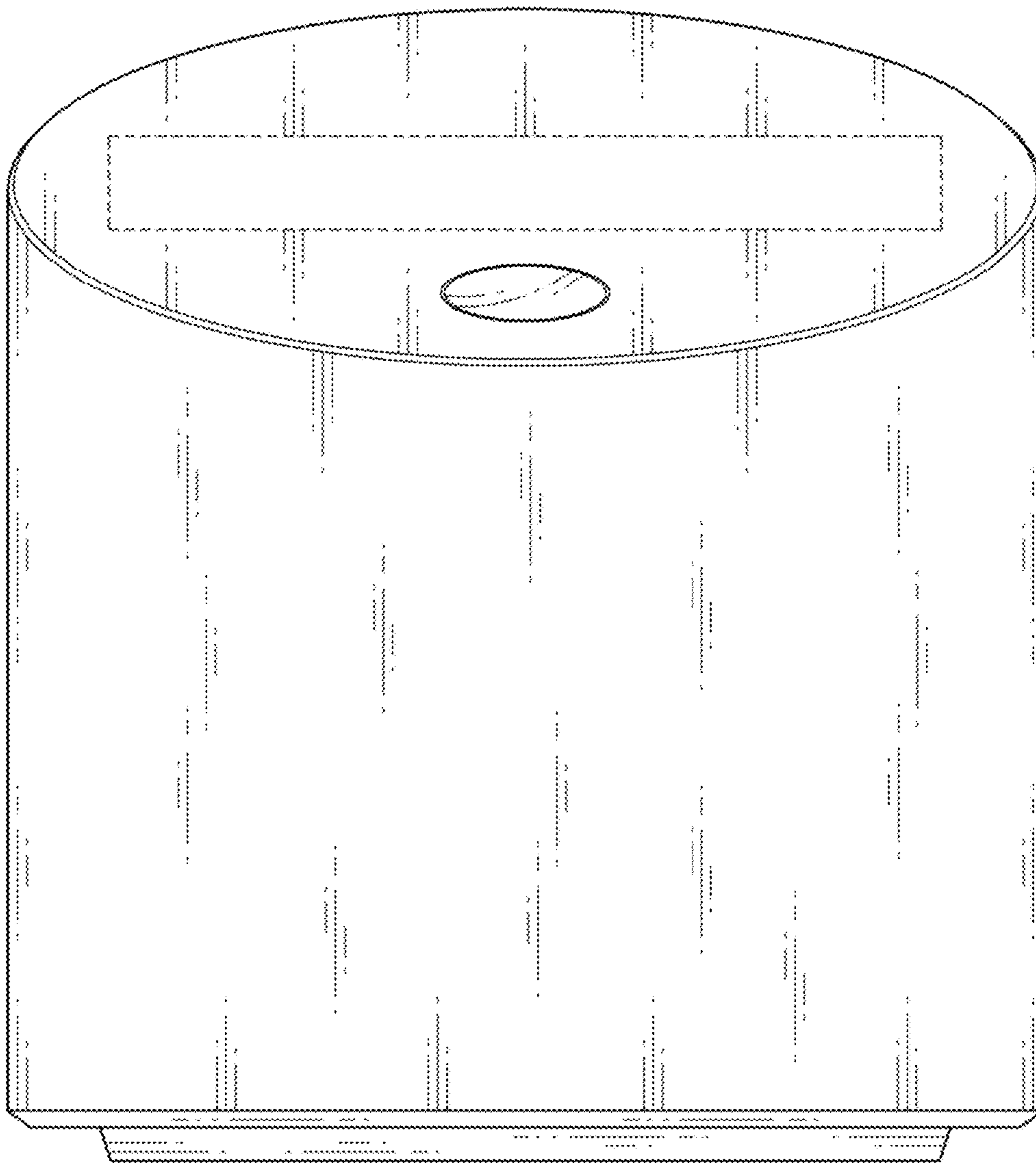
**1 Claim, 7 Drawing Sheets**



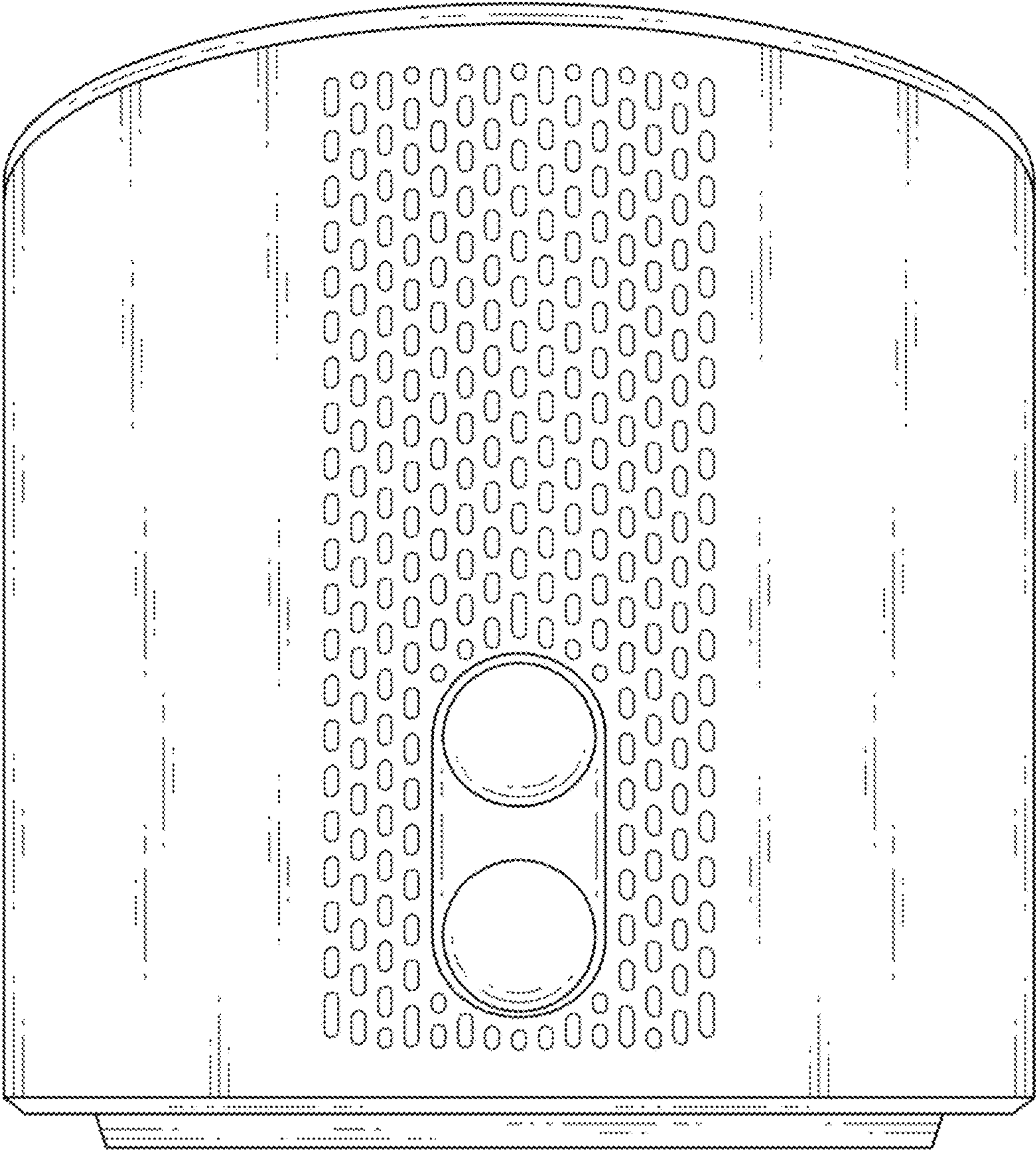
1.1



1.2

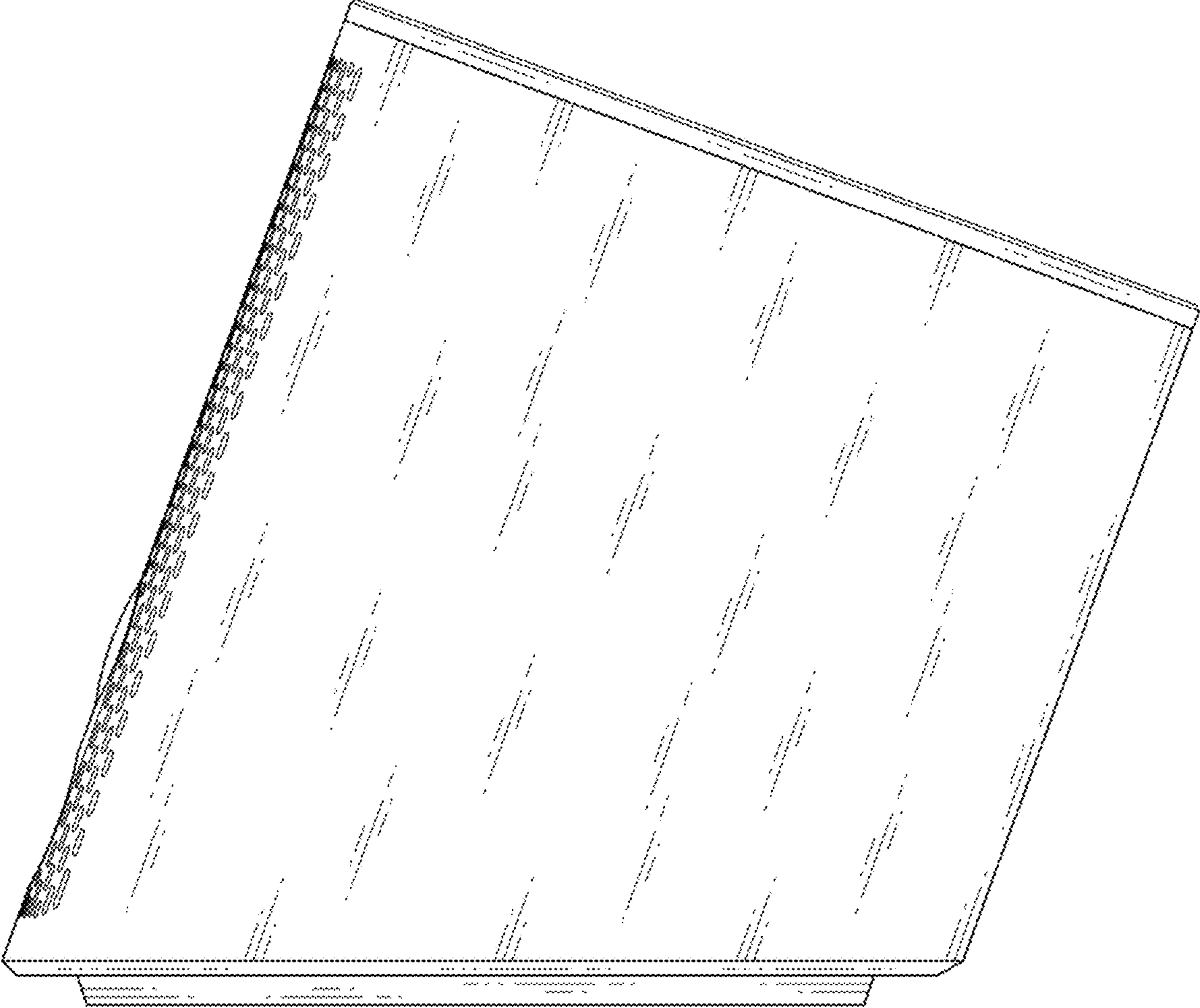


1.3

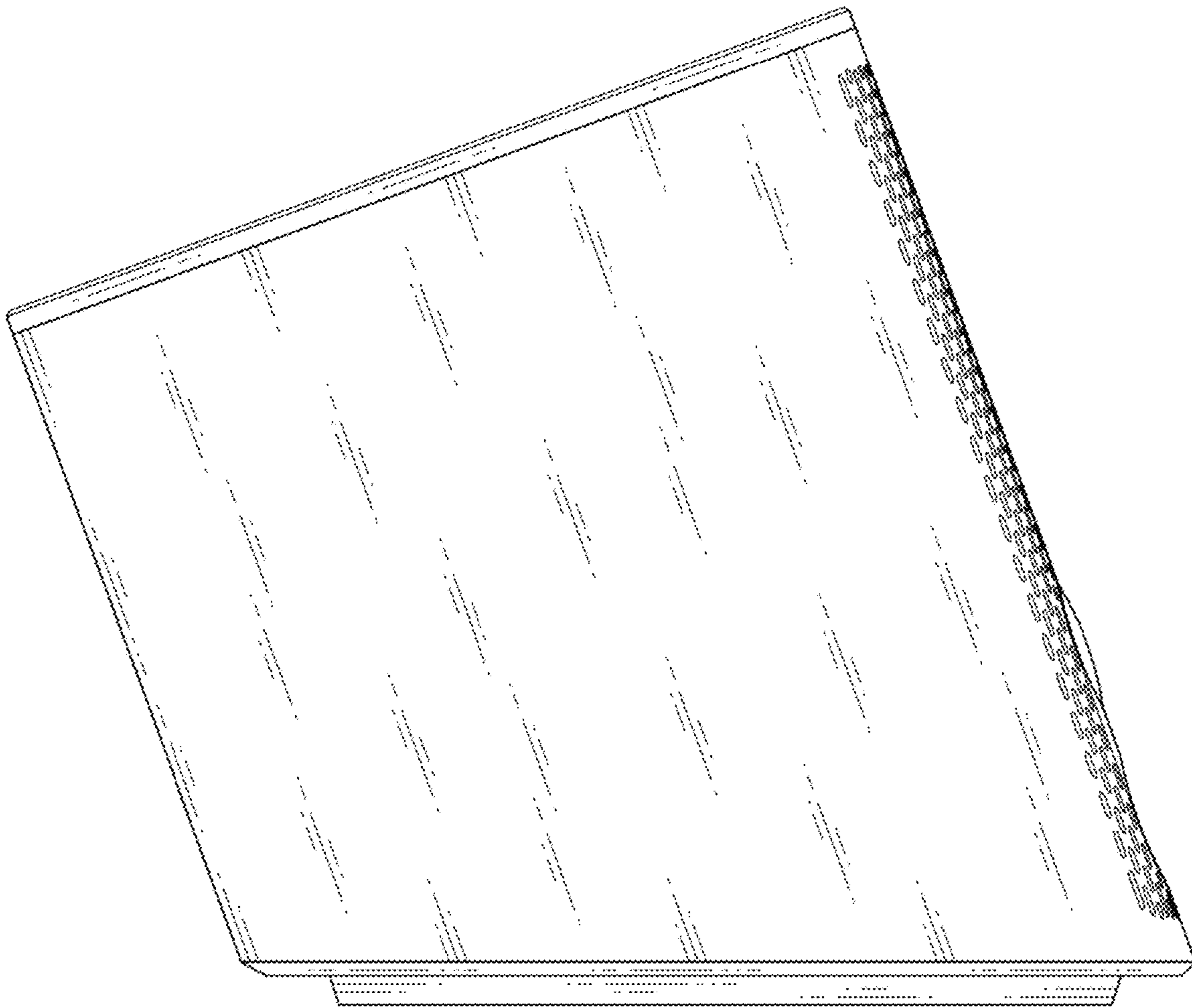




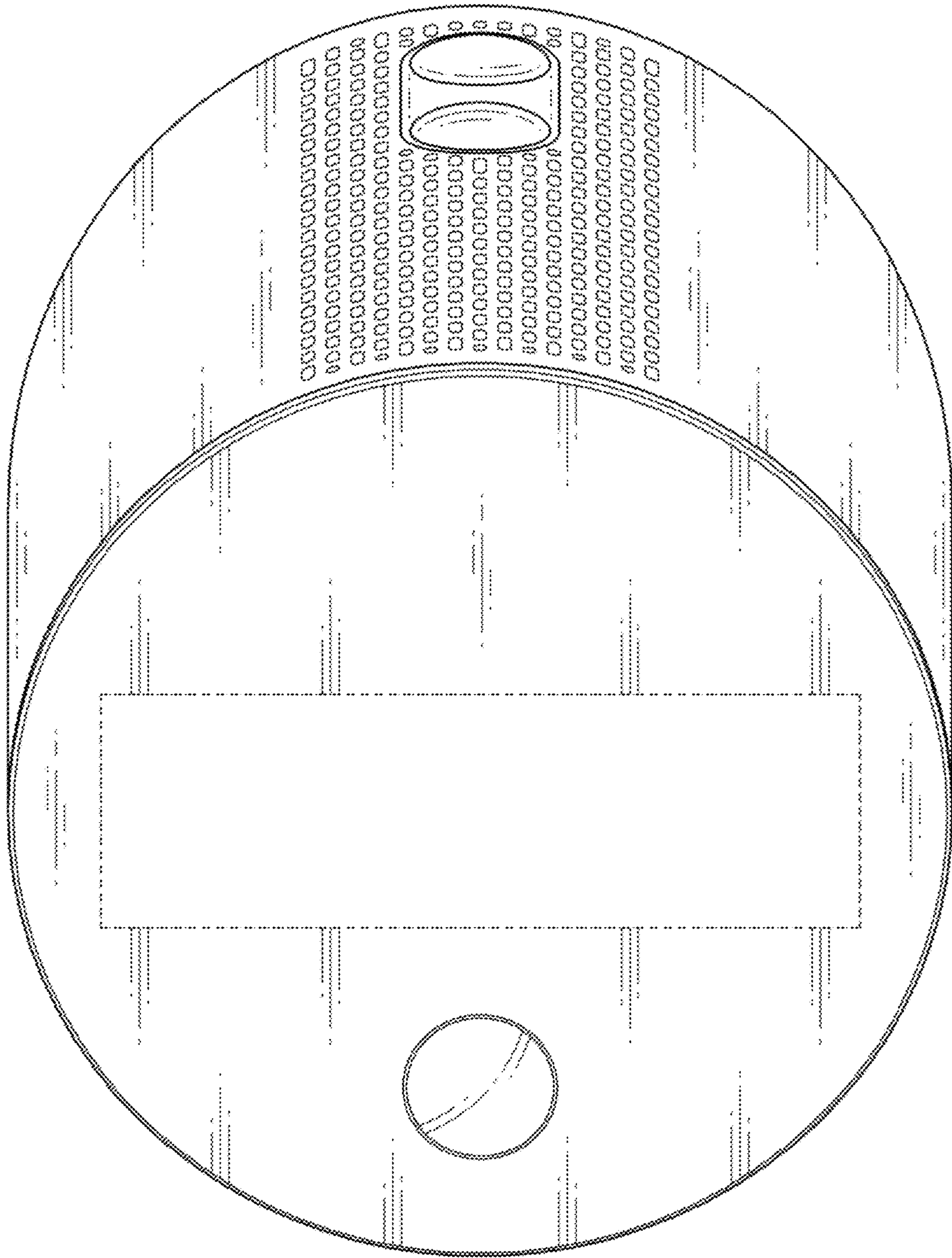
1.4



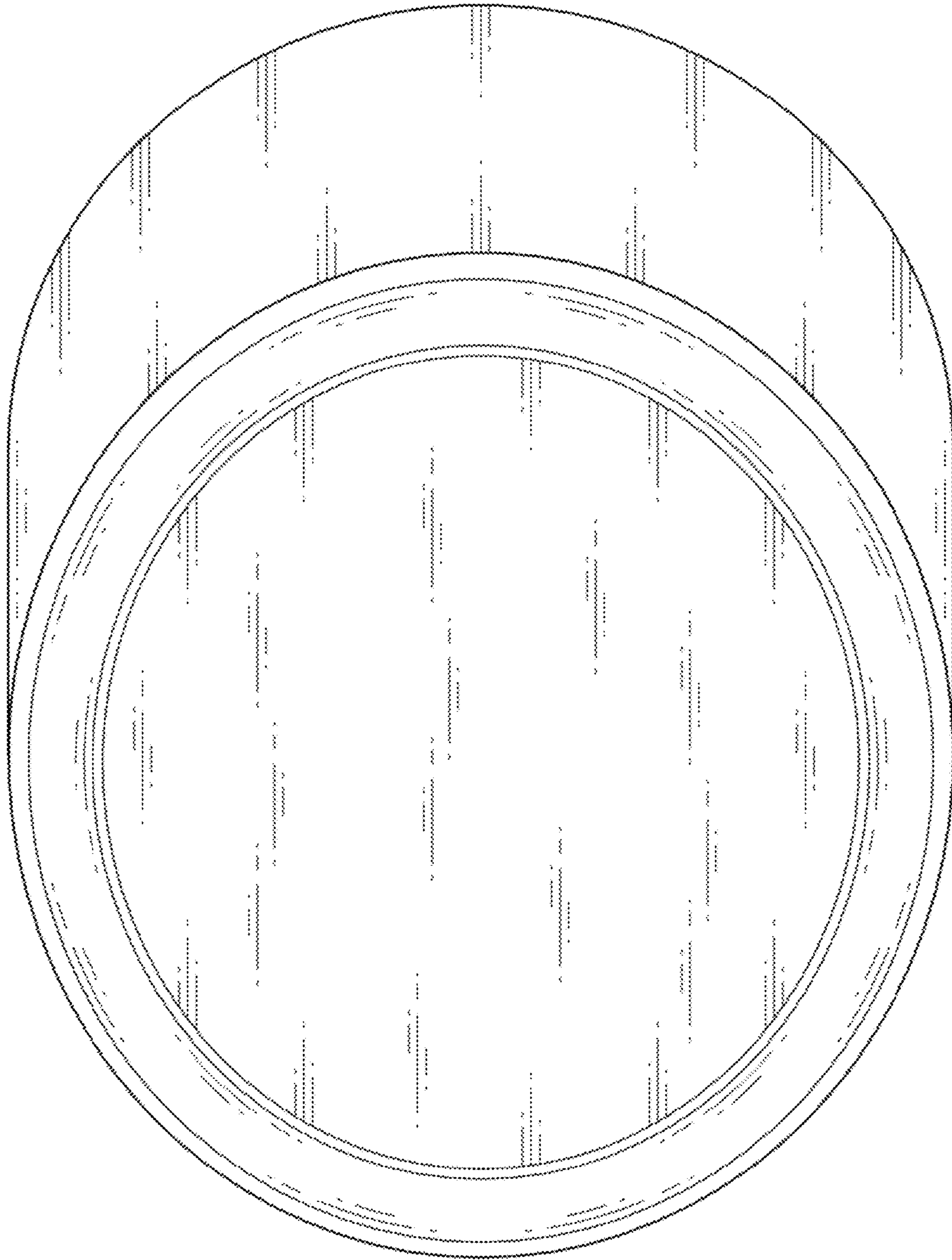
1.5



1.6



1.7





UNITED STATES PATENT AND TRADEMARK OFFICE  
**CERTIFICATE OF CORRECTION**

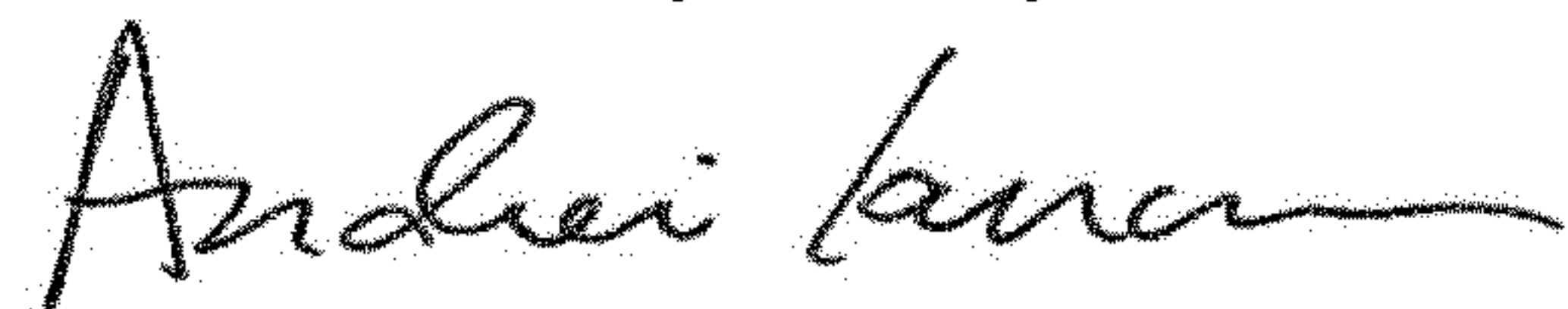
PATENT NO. : D825,526 S  
APPLICATION NO. : 35/502152  
DATED : August 14, 2018  
INVENTOR(S) : Torsten Valeur

Page 1 of 16

It is certified that error appears in the above-identified patent and that said Letters Patent is hereby corrected as shown below:

Please delete Patent No. D825,526 S in its entirety and replace with new Patent No. D825,526 S attached.

Signed and Sealed this  
Ninth Day of July, 2019



Andrei Iancu  
*Director of the United States Patent and Trademark Office*

(12) **United States Design Patent** (10) **Patent No.:** **US D825,526 S**  
**Valeur** (45) **Date of Patent:** **\*\* Aug. 14, 2018**

(54) **LOUDSPEAKER**  
 (71) Applicant: **BANG & OLUFSEN A/S, Struer (DK)**  
 (72) Inventor: **Torsten Valeur, København V (DK)**  
 (\*\*) Term: **15 Years**  
 (21) Appl. No.: **35/502,152**  
 (22) Filed: **Dec. 12, 2016**

(80) **Hague Agreement Data**  
 Int. Filing Date: **Dec. 12, 2016**  
 Int. Reg. No.: **DM/093825**  
 Int. Reg. Date: **Dec. 12, 2016**  
 Int. Reg. Pub. Date: **Dec. 23, 2016**

(30) **Foreign Application Priority Data**  
 Jun. 13, 2016 (EM) ..... 003188291  
 (51) **LOC (11) Cl.** ..... **14-04**  
 (52) **U.S. Cl.**  
 USPC ..... **D14/214**  
 (58) **Field of Classification Search**  
 USPC .... D14/204, 209.1, 210, 211, 212, 213-217,  
 D14/221, 224  
 CPC . H05K 5/00; H04R 25/00; H04R 7/26; H04R  
 1/02; H04R 1/28; H04R 1/26; H04R  
 5/00; H04R 5/02  
 See application file for complete search history.

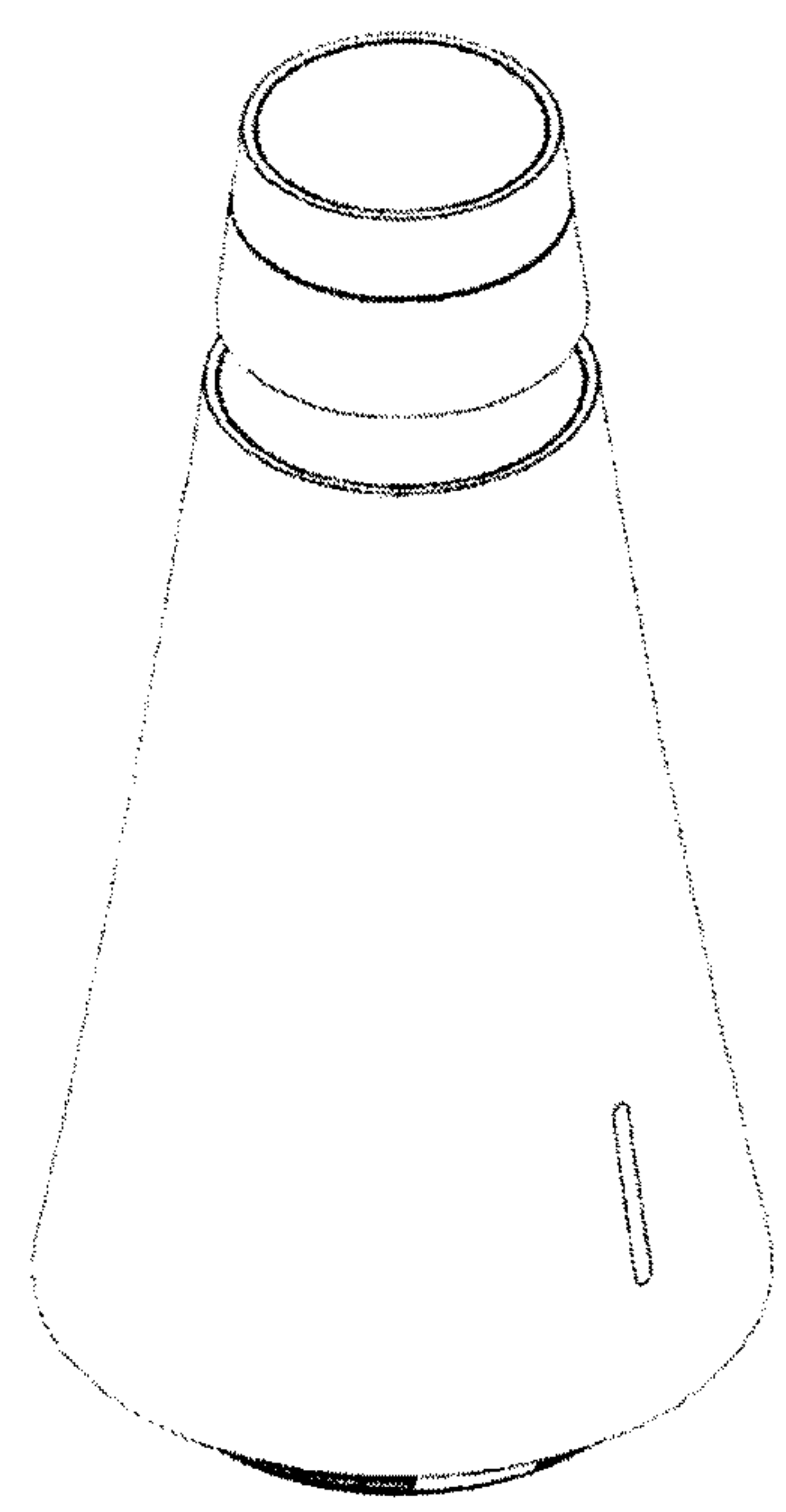
(56) **References Cited**  
**U.S. PATENT DOCUMENTS**  
 D327,067 S \* 6/1992 Kohan ..... D14/215  
 D329,234 S \* 9/1992 Winkelbauer ..... D14/204  
 D466,885 S \* 12/2002 MacFarlane ..... D14/204  
 D496,651 S \* 9/2004 Borsboom ..... D14/216  
 D623,628 S \* 9/2010 Solland ..... D14/214  
 D653,237 S \* 1/2012 Davies ..... D14/211  
 D718,281 S \* 11/2014 Schmiedbauer ..... D14/216  
 D743,371 S \* 11/2015 Nardin ..... D14/209.1  
 D755,751 S \* 5/2016 Valeur ..... D14/204  
 D760,193 S \* 6/2016 Vassilkov ..... D14/213

\* cited by examiner  
*Primary Examiner* — Michael A. Pratt

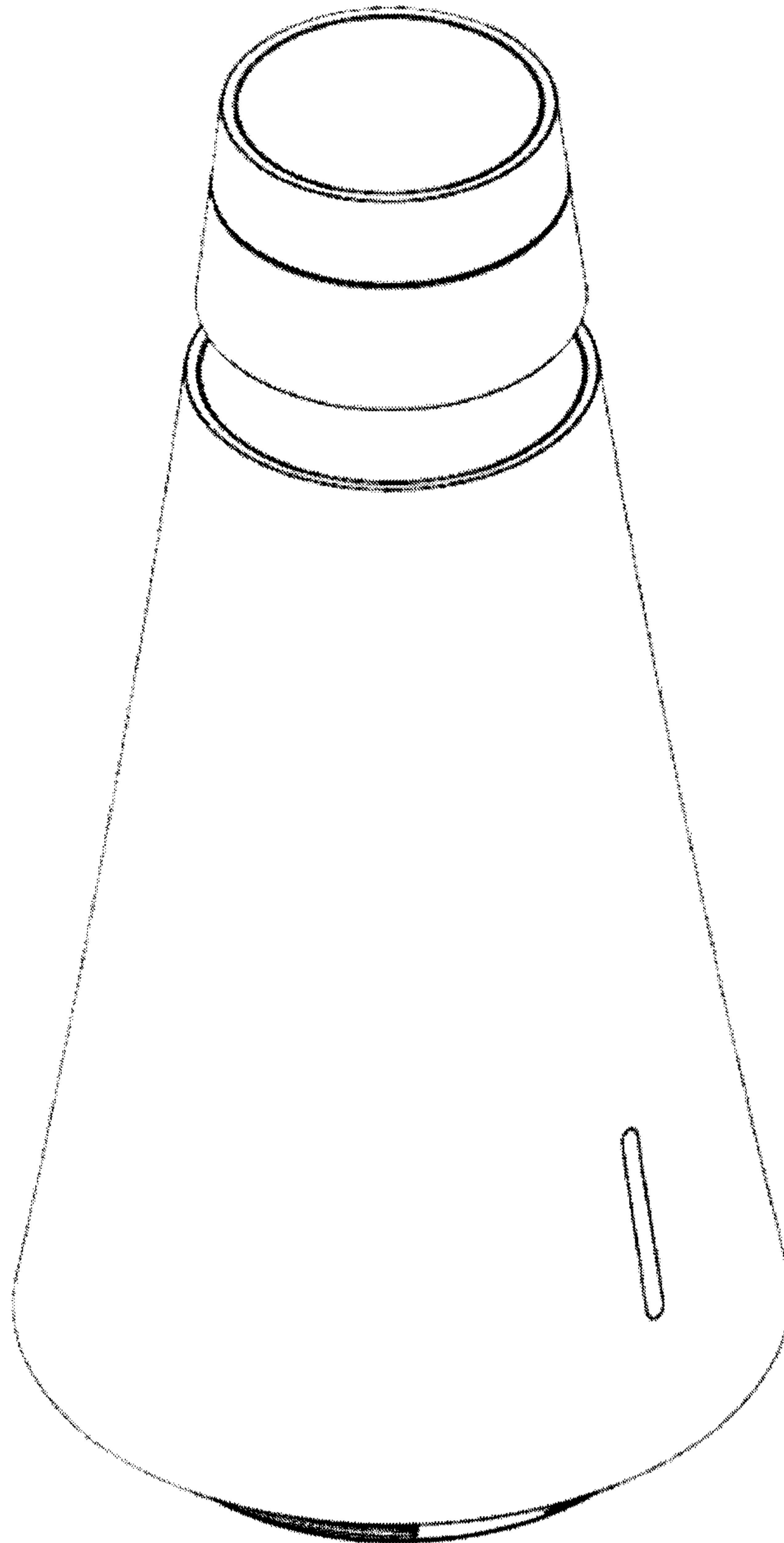
(57) **CLAIM**  
 The ornamental design for a loudspeaker, as shown and described.

**DESCRIPTION**  
 1. Loudspeakers  
 1.1 : Perspective  
 1.2 : Back  
 1.3 : Left  
 1.4 : Front  
 1.5 : Right  
 1.6 : Perspective  
 1.7 : Top

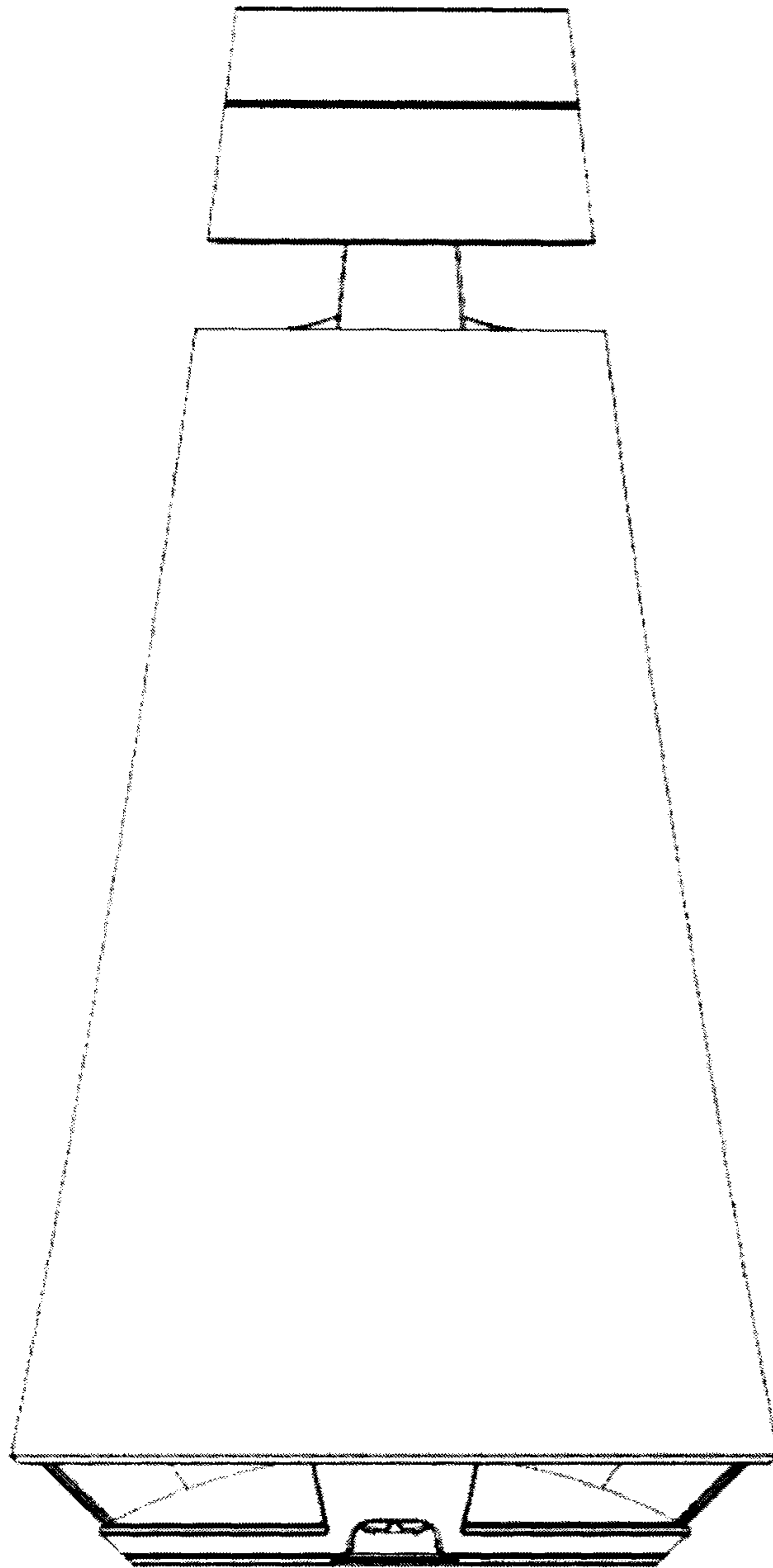
**1 Claim, 14 Drawing Sheets**



**1.1**

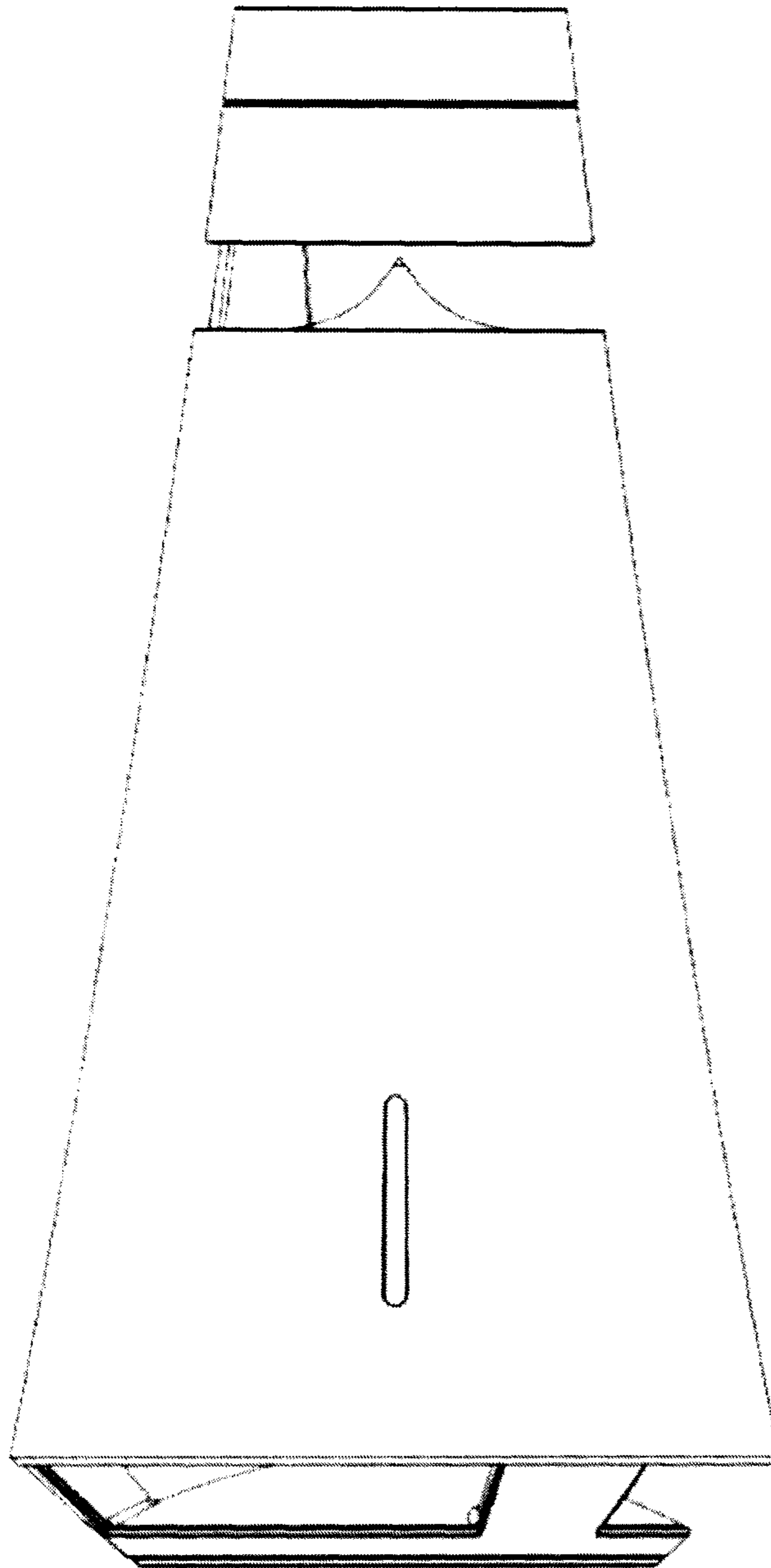


1.2

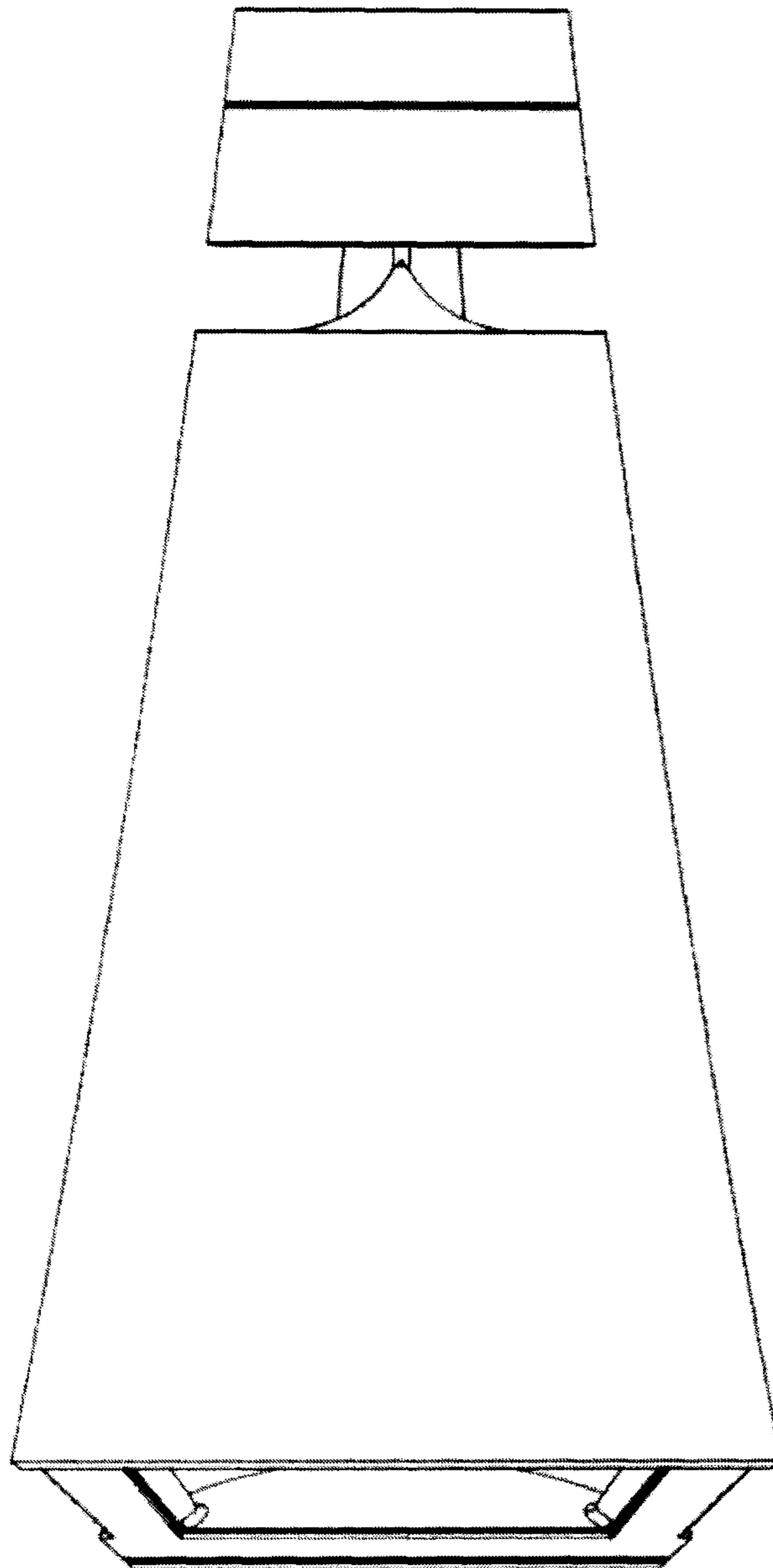




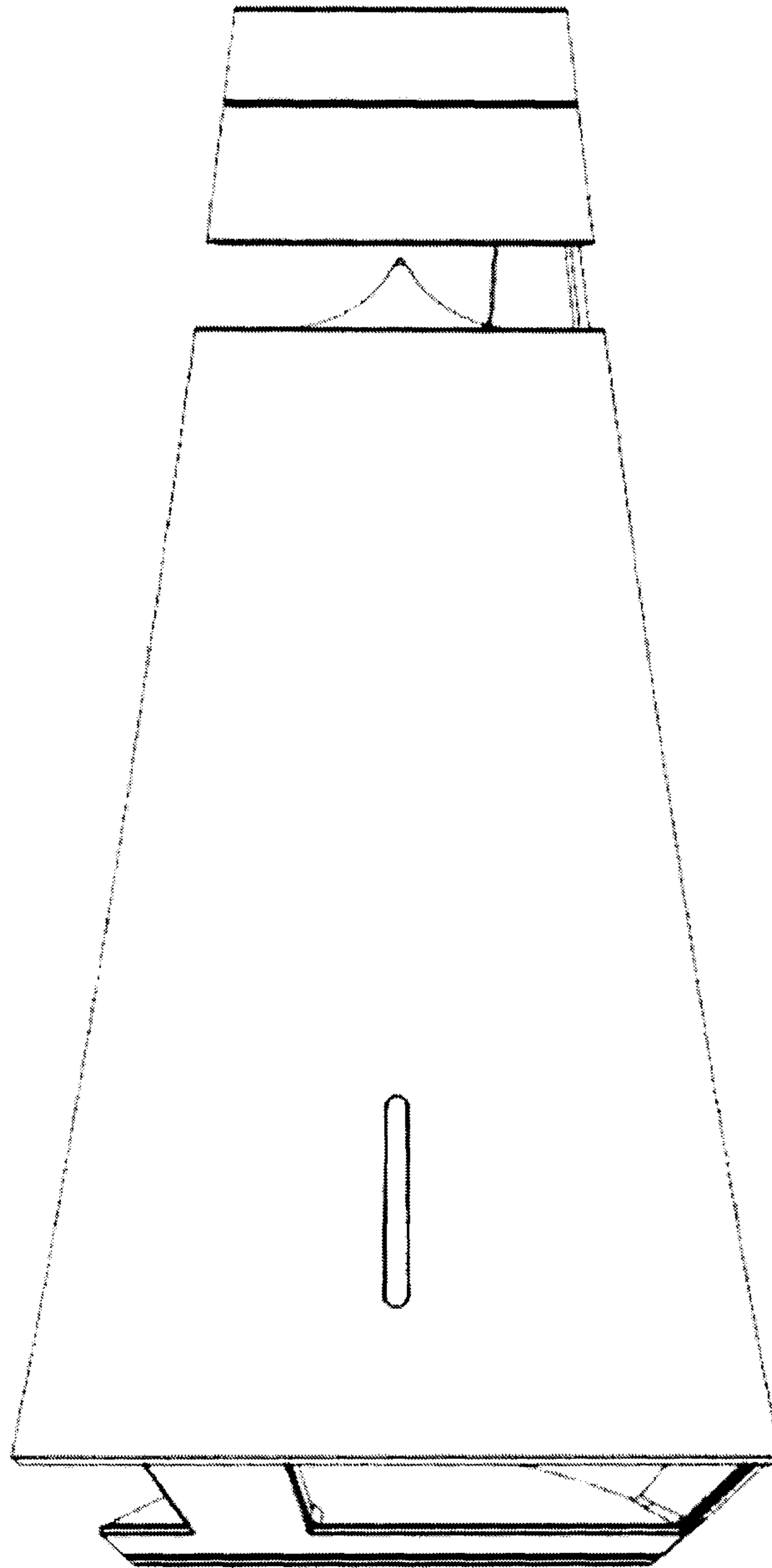
1.3



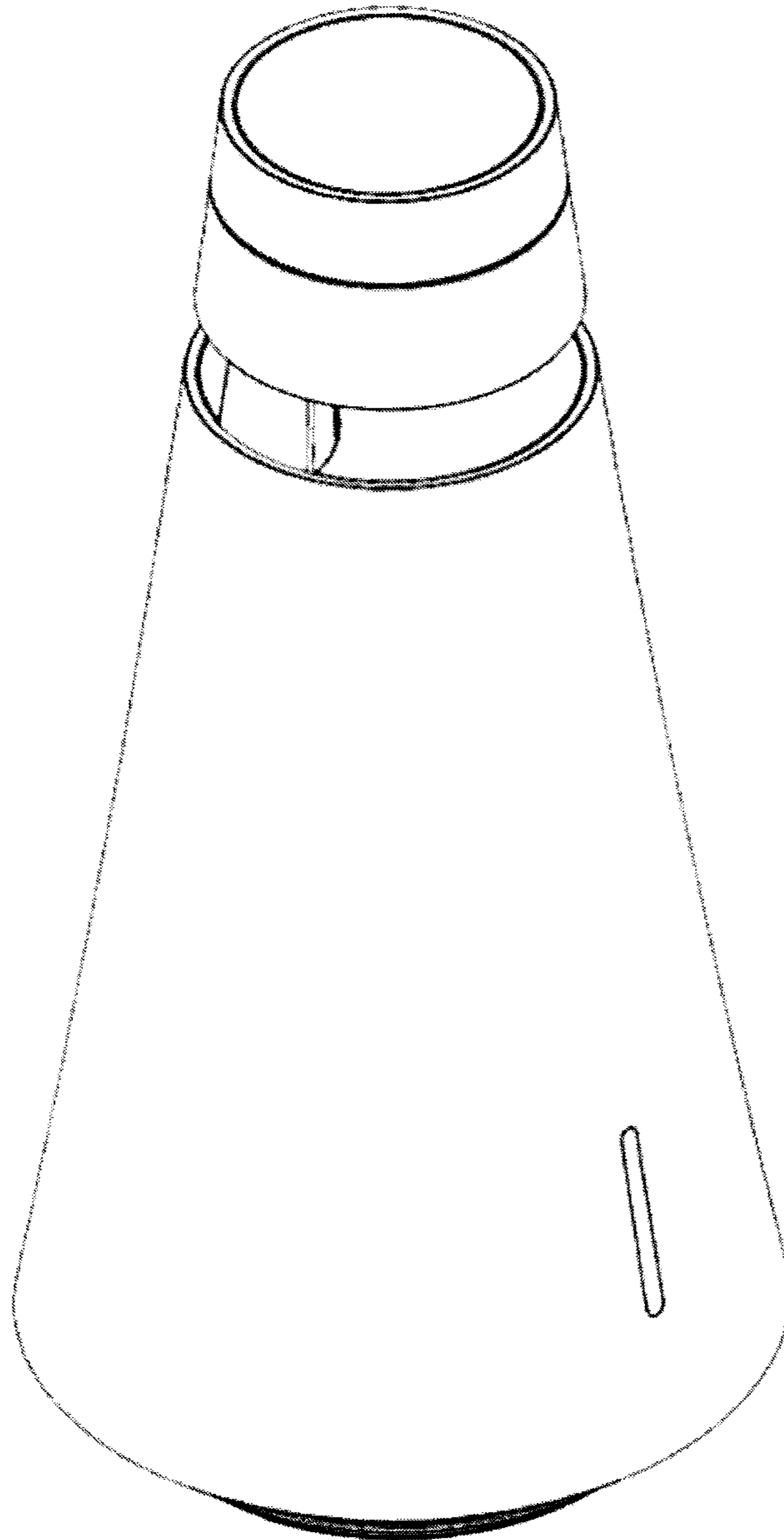
**1.4**



1.5

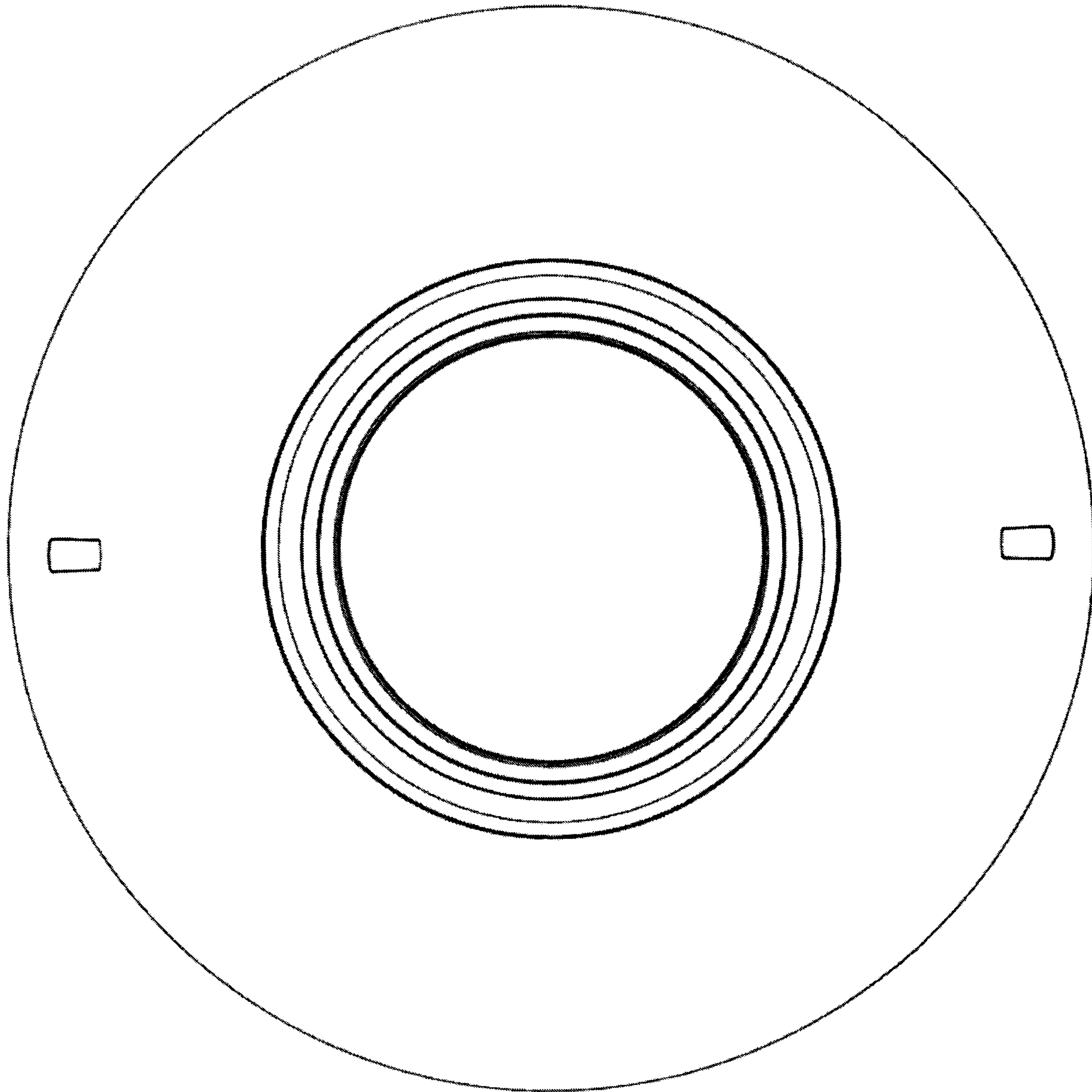


**1.6**

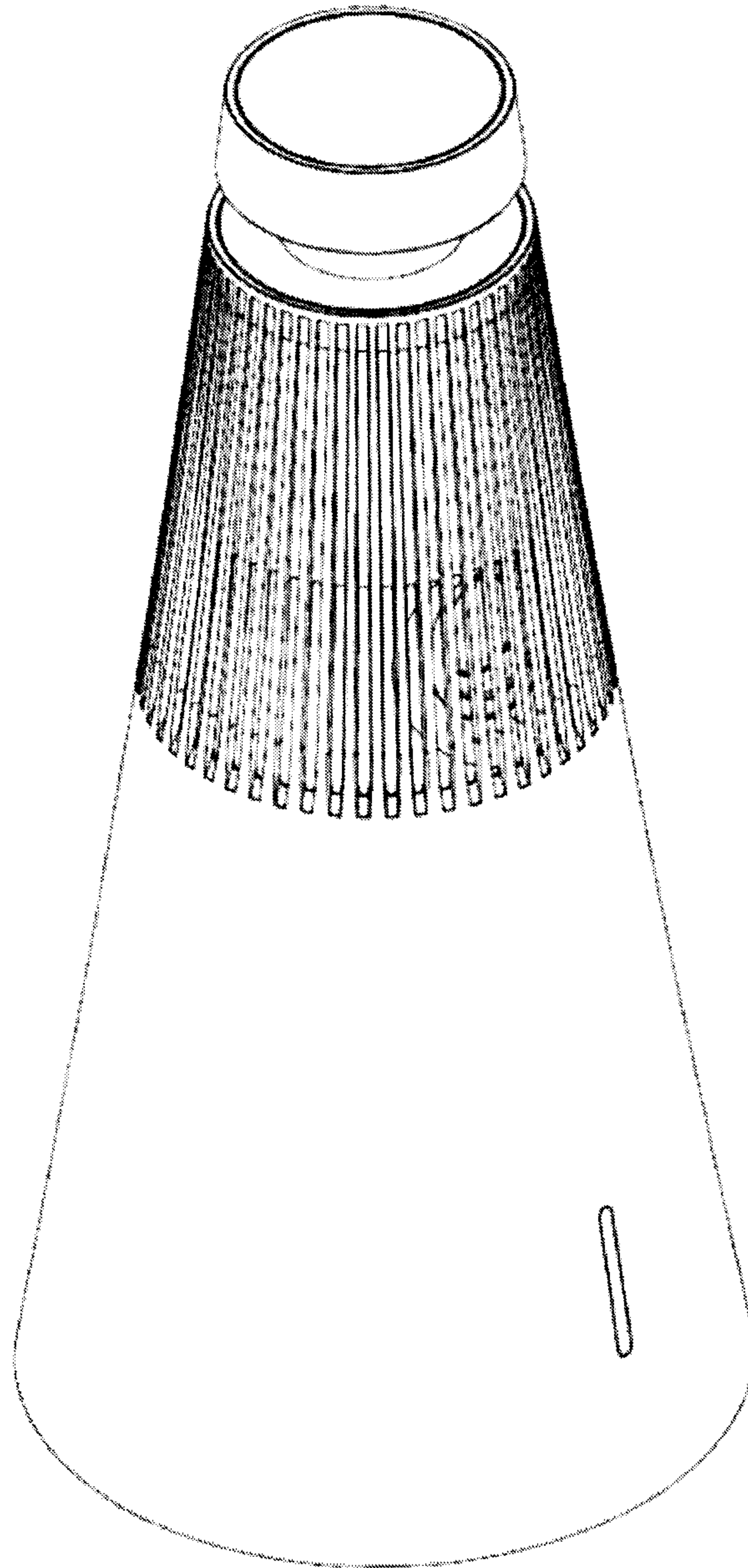




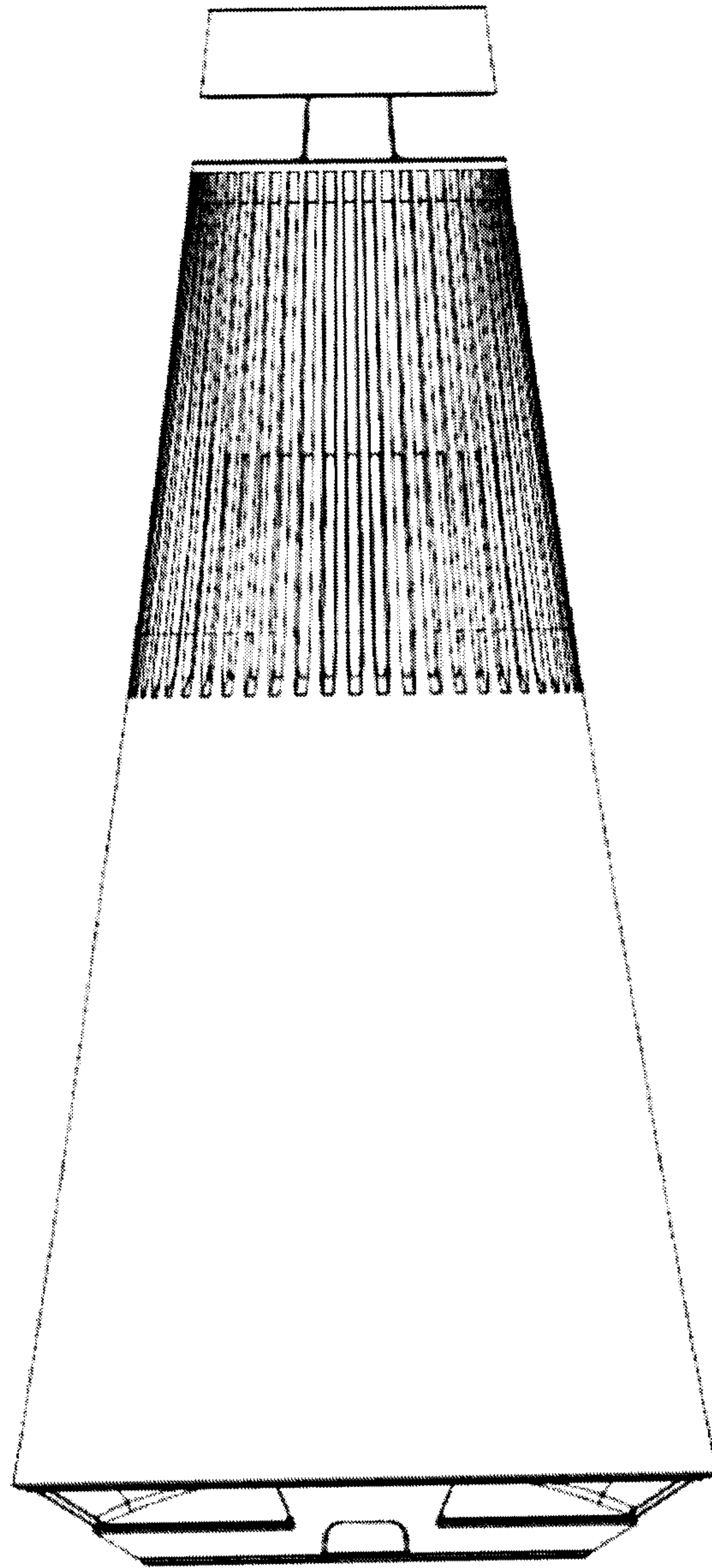
**1.7**



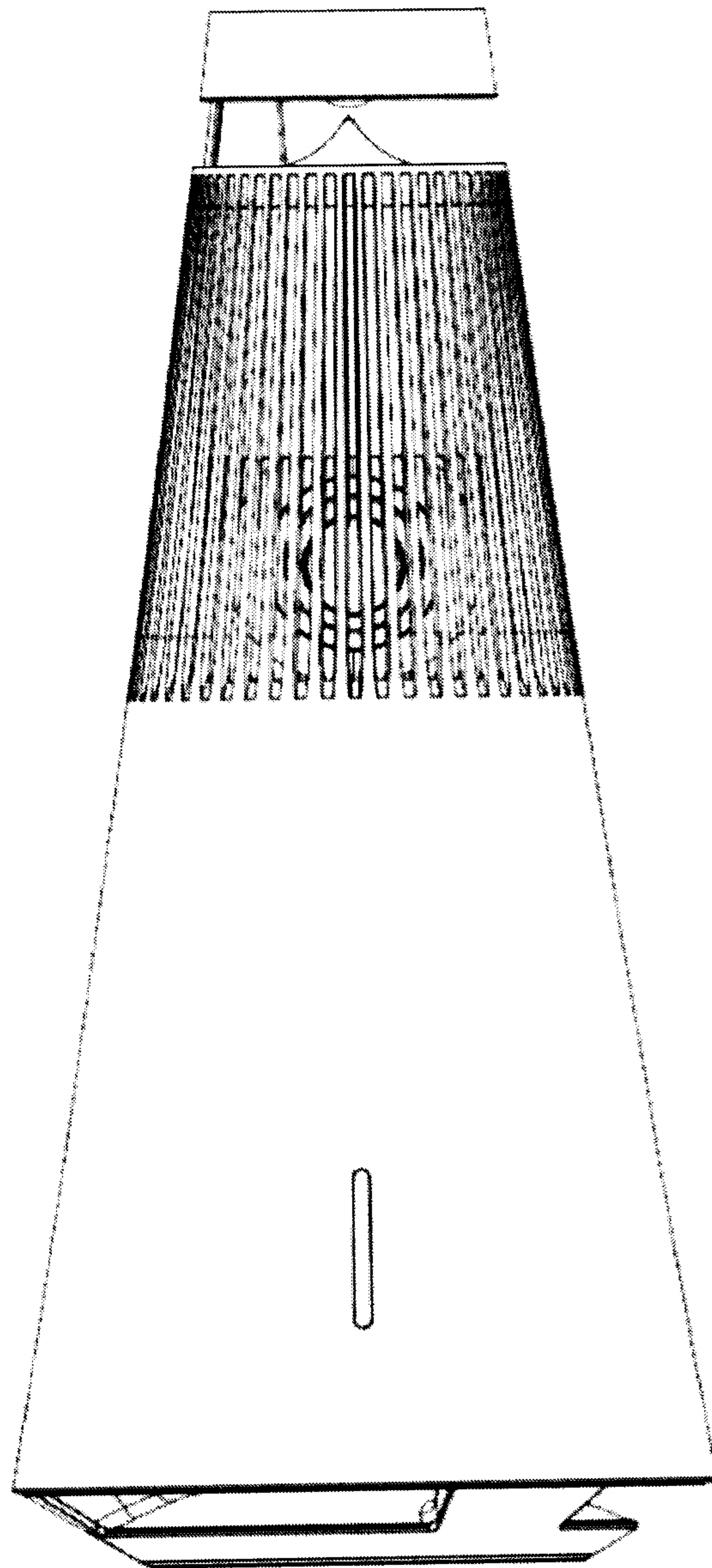
2.1



2.2

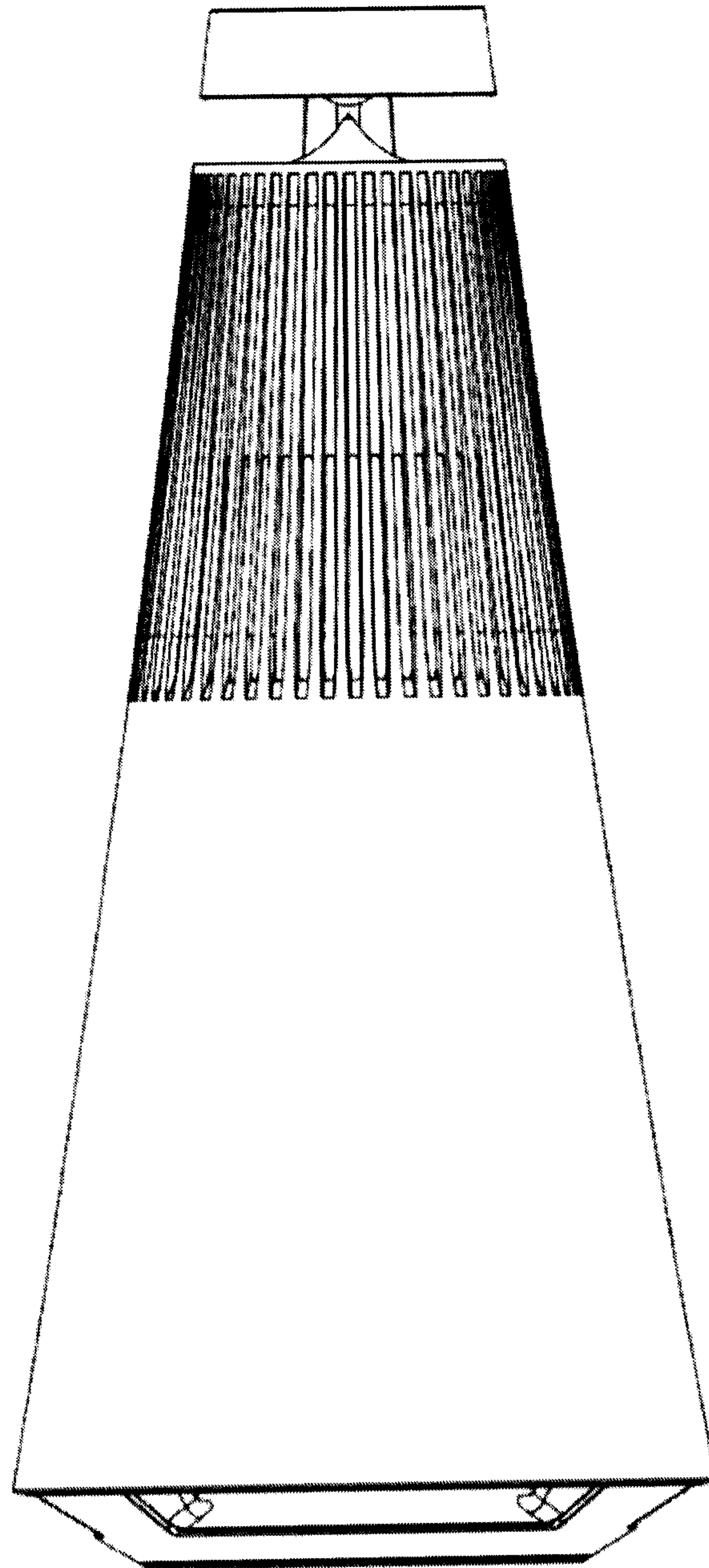


2.3

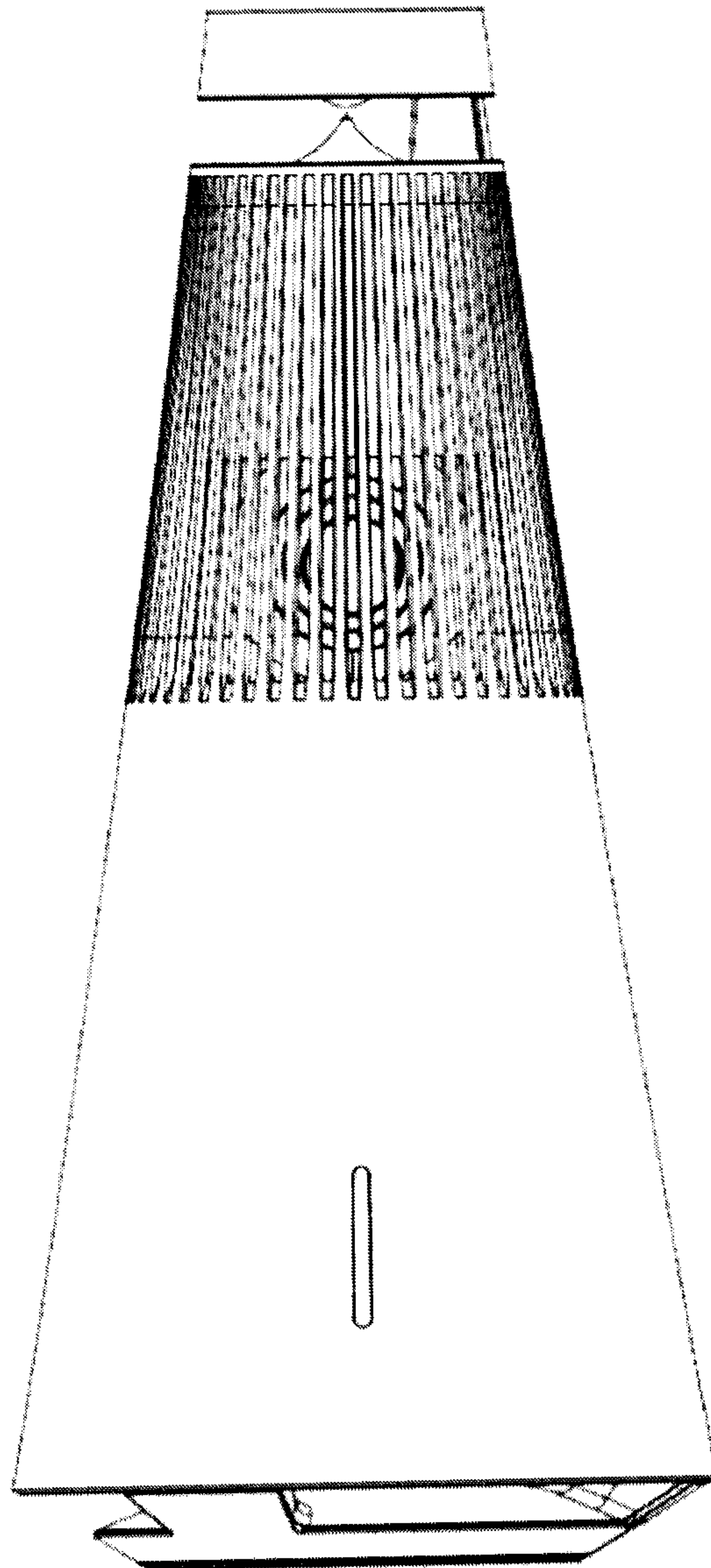




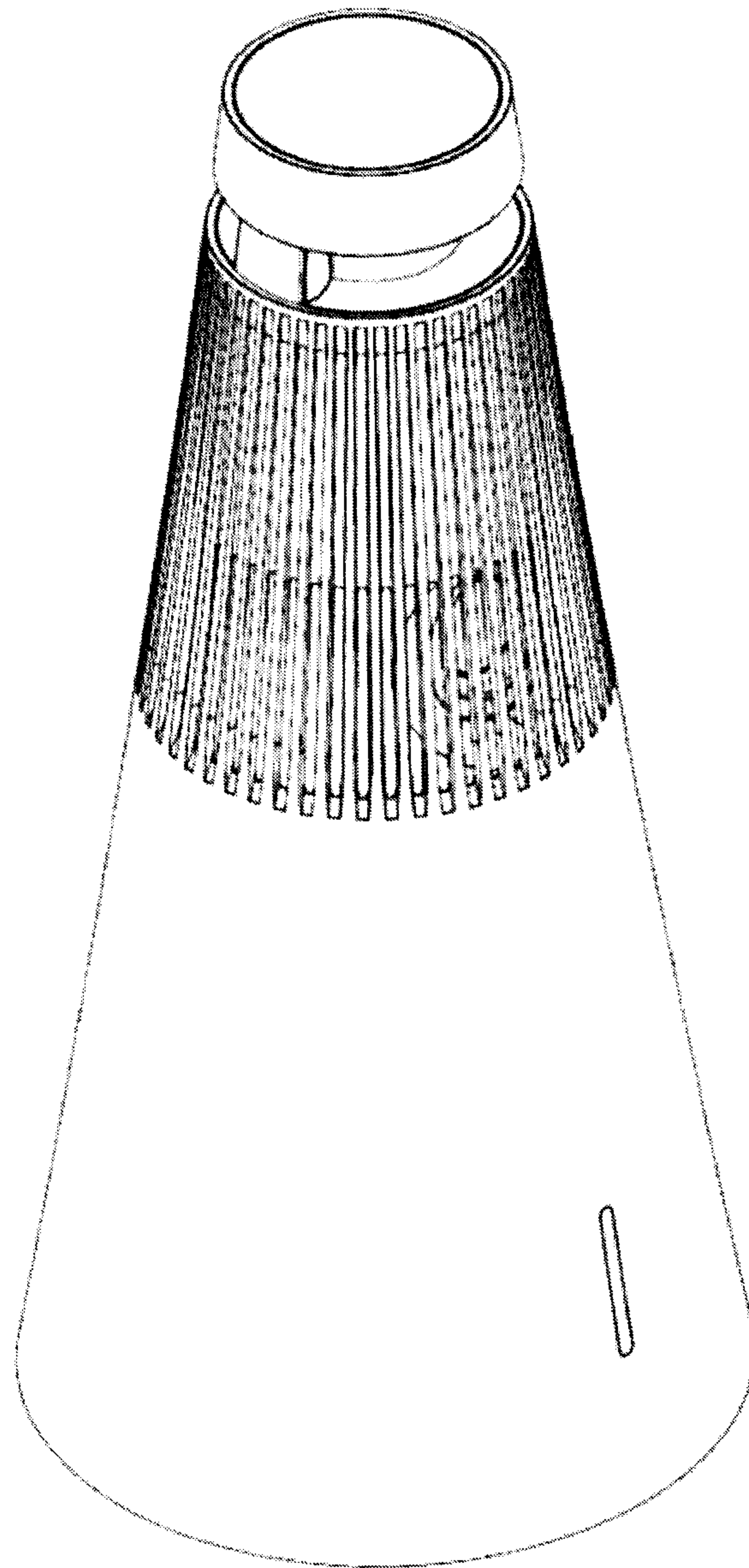
2.4



2.5



2.6



2.7

