



US00D825524S

(12) **United States Design Patent**
Wagner et al.

(10) **Patent No.:** **US D825,524 S**

(45) **Date of Patent:** **** Aug. 14, 2018**

(54) **EARPHONES**

(71) Applicant: **B&O PLAY A/S**, Struer (DK)

(72) Inventors: **Jakob Wagner**, København Ø (DK);
Cecilie Manz, København (DK)

(**) Term: **15 Years**

(21) Appl. No.: **35/502,111**

(22) Filed: **Sep. 20, 2016**

(80) **Hague Agreement Data**

Int. Filing Date: **Sep. 20, 2016**

Int. Reg. No.: **DM/093719**

Int. Reg. Date: **Sep. 20, 2016**

Int. Reg. Pub. Date: **Dec. 16, 2016**

(51) **LOC (11) Cl.** **14-01**

(52) **U.S. Cl.**
USPC **D14/205**

(58) **Field of Classification Search**
USPC D14/205-206; D29/112
CPC H04R 1/1066; H04R 1/1016; H04R 25/00;
H04R 1/10; H04R 5/0335; H04R 5/033
See application file for complete search history.

(56) **References Cited**

U.S. PATENT DOCUMENTS

D687,410 S * 8/2013 Fletcher D14/205
D722,040 S * 2/2015 Tan D14/205

D739,377 S * 9/2015 Yeom D14/205
D741,287 S * 10/2015 Harata D14/205
D763,222 S * 8/2016 Tang D14/205
D764,436 S * 8/2016 Dryden D14/205
D767,532 S * 9/2016 Jen D14/205
D774,490 S * 12/2016 Lin D14/205
D776,083 S * 1/2017 Lee D14/205
D777,138 S * 1/2017 Fletcher D14/205
D777,139 S * 1/2017 Fletcher D14/205
D780,155 S * 2/2017 Levine D14/205
D780,714 S * 3/2017 Vogt, Jr. D14/205
D782,442 S * 3/2017 Chen D14/205
D782,997 S * 4/2017 Shin D14/205
D782,998 S * 4/2017 Shin D14/205
D796,473 S * 9/2017 Kim D14/205
D796,475 S * 9/2017 Wang D14/205

* cited by examiner

Primary Examiner — Michael A. Pratt

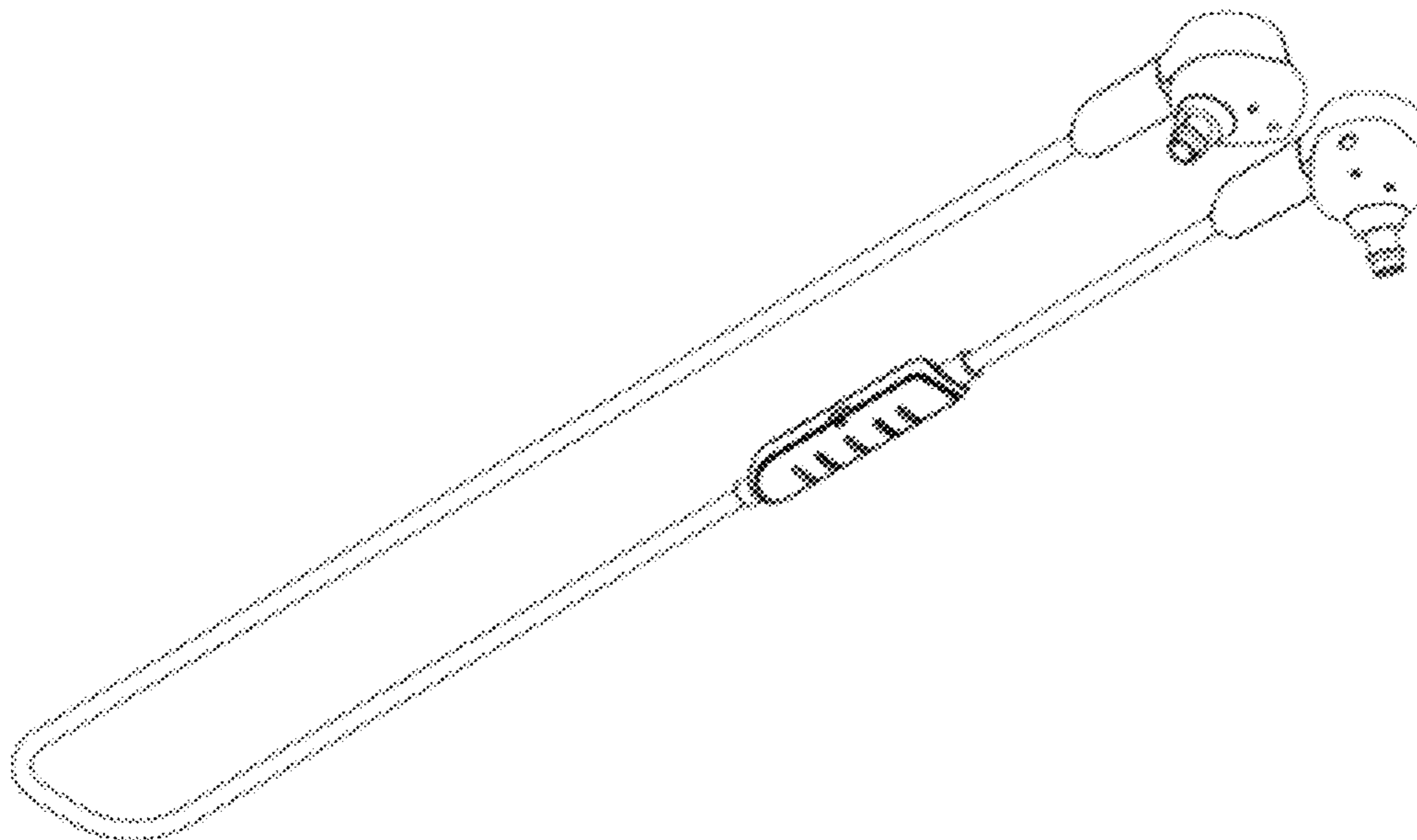
(57) **CLAIM**

The ornamental design for earphones, as shown and described.

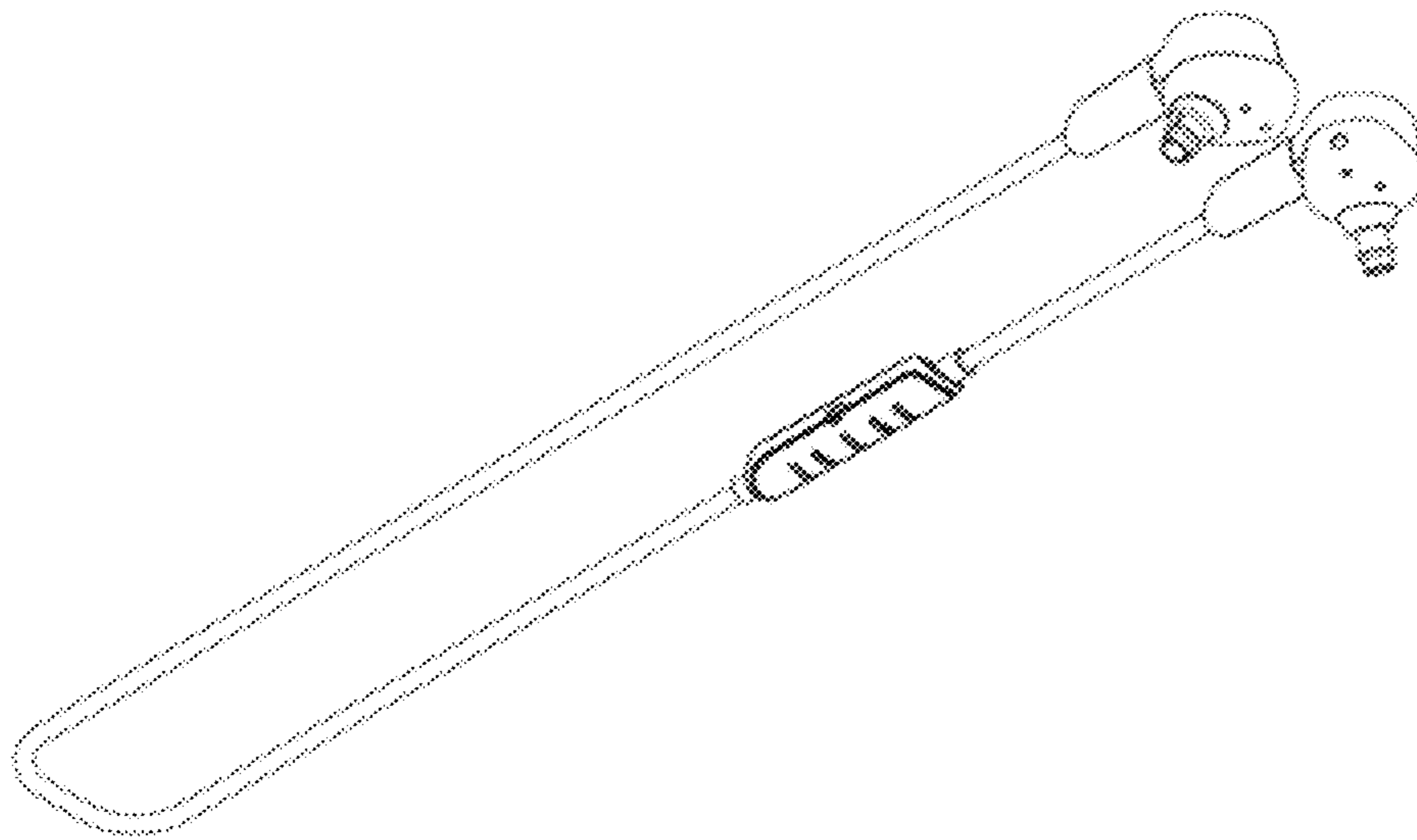
DESCRIPTION

- 1. Earphones
- 1.1 : Perspective
- 1.2 : Back
- 1.3 : Outside
- 1.4 : Front
- 1.5 : Inside
- 1.6 : Perspective
- 1.7 : Top

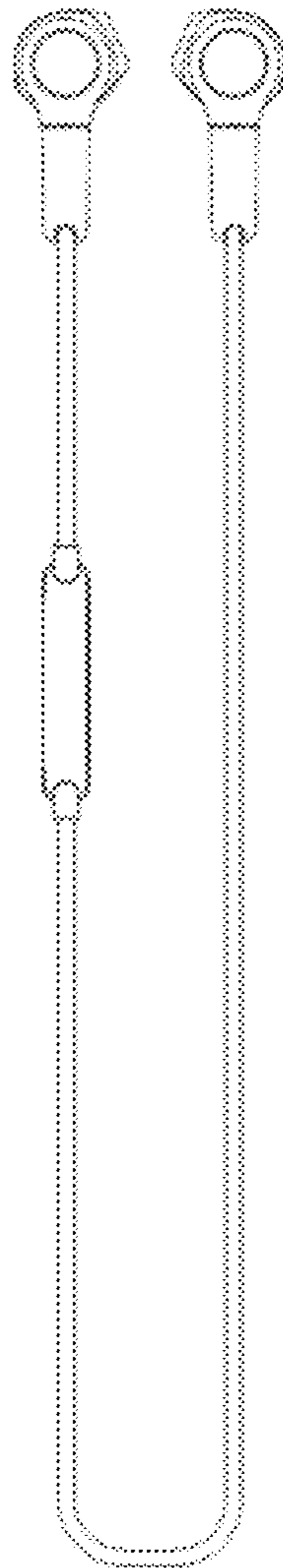
1 Claim, 7 Drawing Sheets



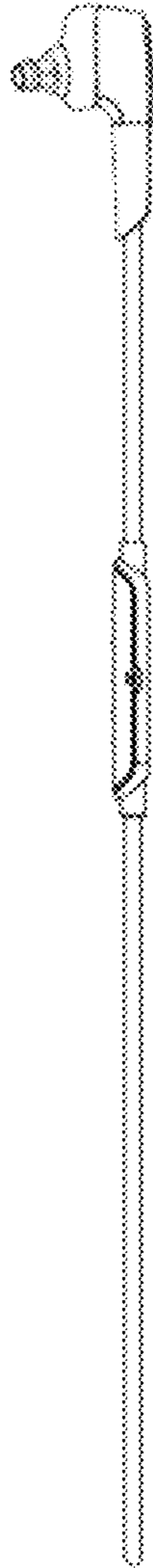
1.1



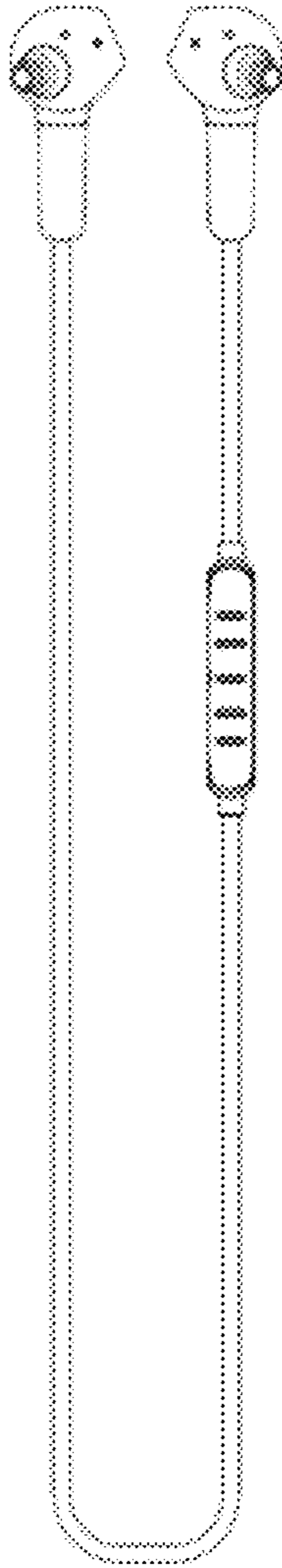
1.2



1.3



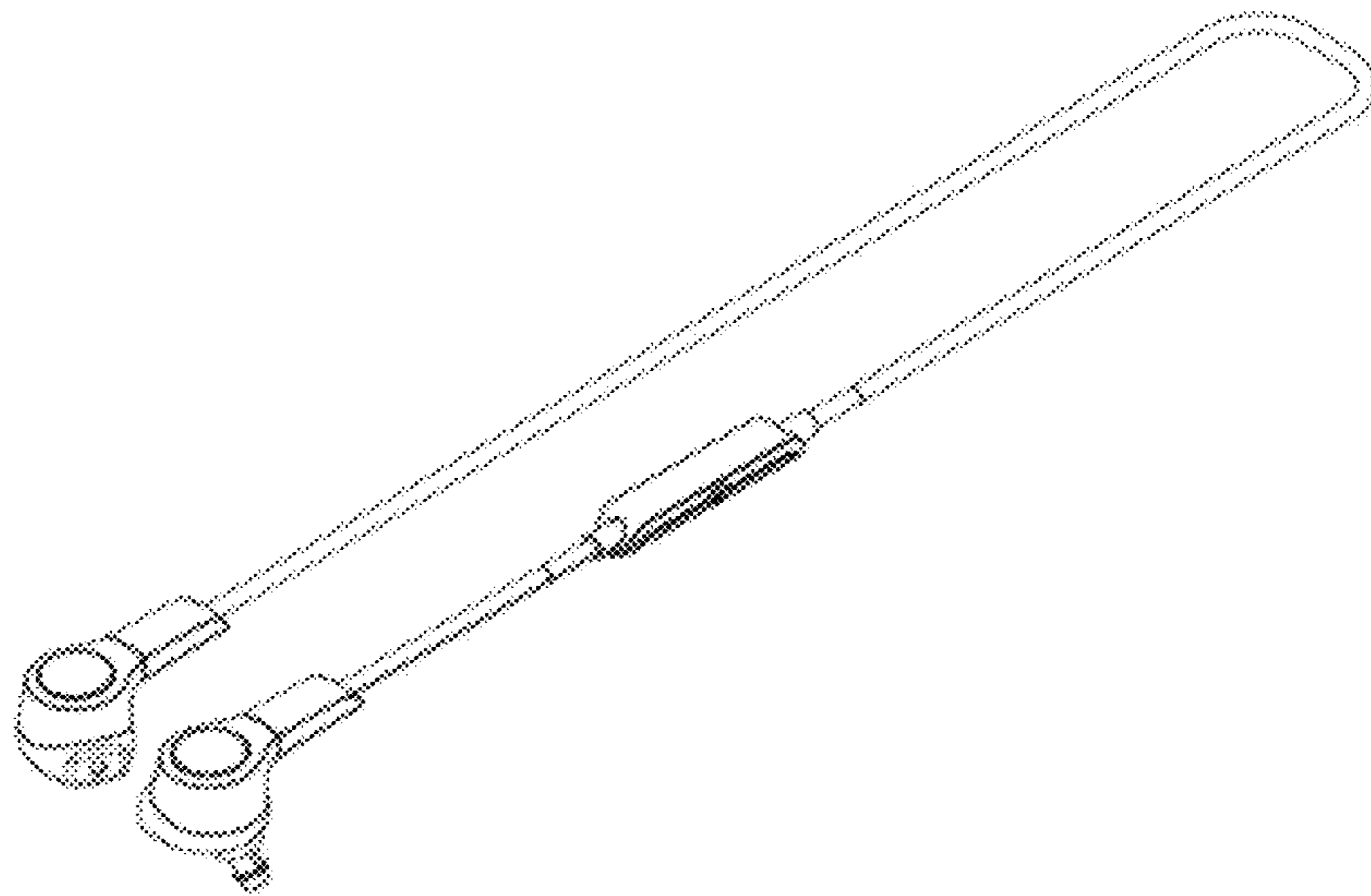
1.4



1.5



1.6



1.7

