



US00D825522S

(12) **United States Design Patent**
Ng

(10) **Patent No.:** **US D825,522 S**

(45) **Date of Patent:** **** Aug. 14, 2018**

(54) **BLUETOOTH SPEAKER**

(71) Applicant: **Microlab Electronics Co., Ltd.**,
Shenzhen, Guangdong Province (CN)

(72) Inventor: **Ho Ng**, Hong Kong (HK)

(**) Term: **15 Years**

(21) Appl. No.: **29/587,115**

(22) Filed: **Dec. 9, 2016**

(51) **LOC (11) Cl.** **14-01**

(52) **U.S. Cl.**
USPC **D14/204**

(58) **Field of Classification Search**

USPC D14/167, 168, 170–172, 188, 189, 204,
D14/207, 209.1, 210–216, 219, 221, 222,
D14/224; 181/144, 148, 153, 157, 198;
369/6–12; 381/301–303, 306, 332, 334,
381/336, 345, 361–363, 386–388

CPC G06F 1/1688; H04R 1/02; H04R 1/025;
H04R 1/026; H04R 1/323; H04R 1/403;
H04R 1/2803; H04R 1/2834; H04R 5/02;
H04R 9/06; H04R 2201/021; H04R
2400/00; H04R 2400/07; H04R 2499/11

See application file for complete search history.

(56) **References Cited**

U.S. PATENT DOCUMENTS

2,592,401 A * 4/1952 Enssle A24F 3/02
131/184.1
D372,916 S * 8/1996 Starck D14/189
5,894,113 A * 4/1999 Wingate F21V 33/0052
181/129

D558,769 S * 1/2008 Krieger D13/108
D606,041 S * 12/2009 Prasad D14/207
D672,907 S * 12/2012 Wilcox F21V 29/70
D26/118
D688,573 S * 8/2013 Behrmann D10/56
D700,167 S * 2/2014 Hardi D14/205
D723,519 S * 3/2015 Files D14/215
2008/0158887 A1 * 7/2008 Zhu F21V 29/004
362/294

* cited by examiner

Primary Examiner — Derrick E Holland

Assistant Examiner — Janice Julia Patyk

(74) *Attorney, Agent, or Firm* — Novoclaims Patent
Services LLC; Mei Lin Wong

(57) **CLAIM**

The ornamental design for a bluetooth speaker, as shown and described.

DESCRIPTION

FIG. 1 is a front perspective view of a bluetooth speaker, showing my new design.

FIG. 2 is another front perspective view thereof.

FIG. 3 is bottom perspective view thereof.

FIG. 4 is another bottom perspective view thereof.

FIG. 5 is a front view thereof.

FIG. 6 is a rear view thereof.

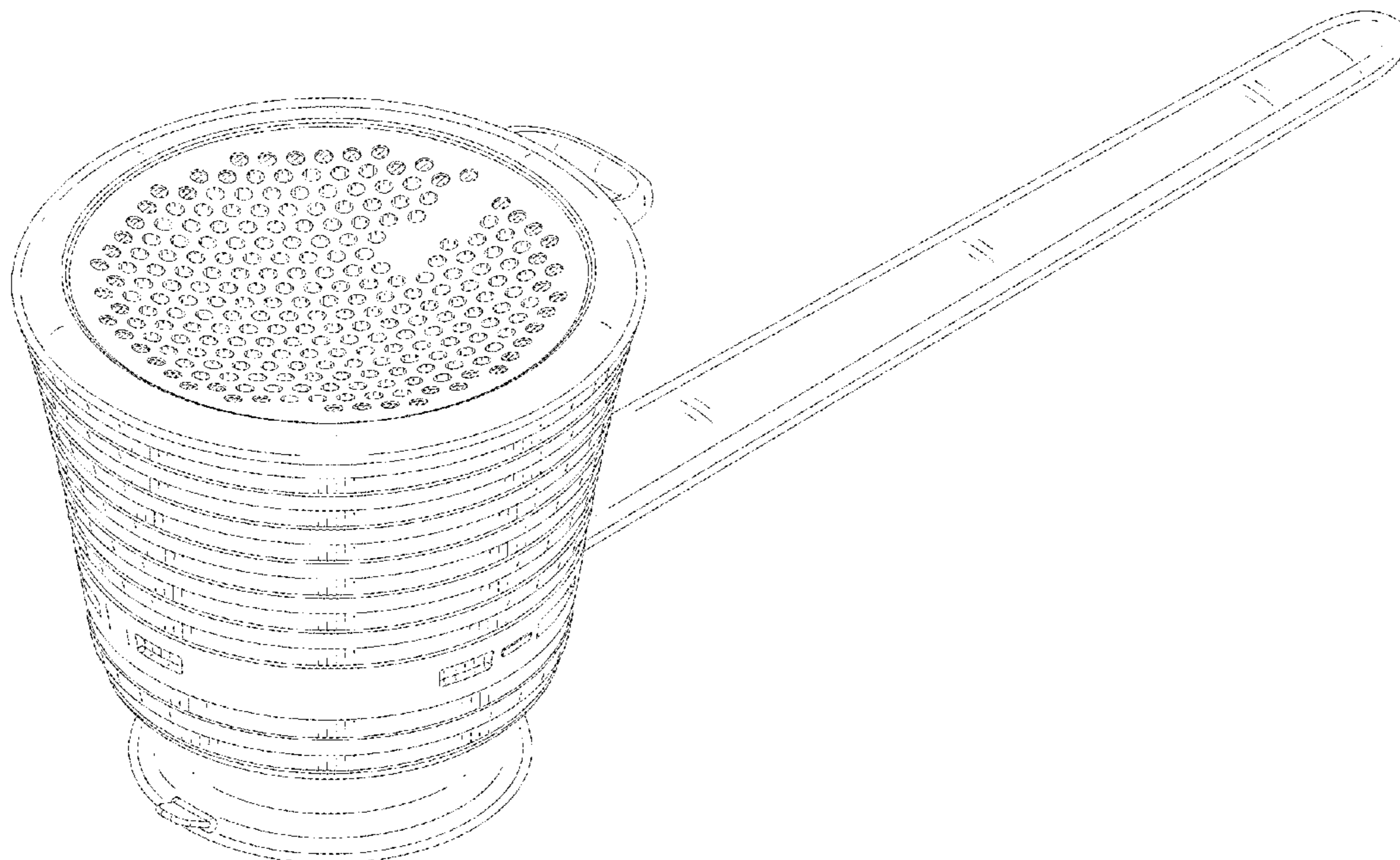
FIG. 7 is a left view thereof.

FIG. 8 is a right view thereof.

FIG. 9 is a top view thereof; and,

FIG. 10 is a bottom view thereof.

1 Claim, 10 Drawing Sheets



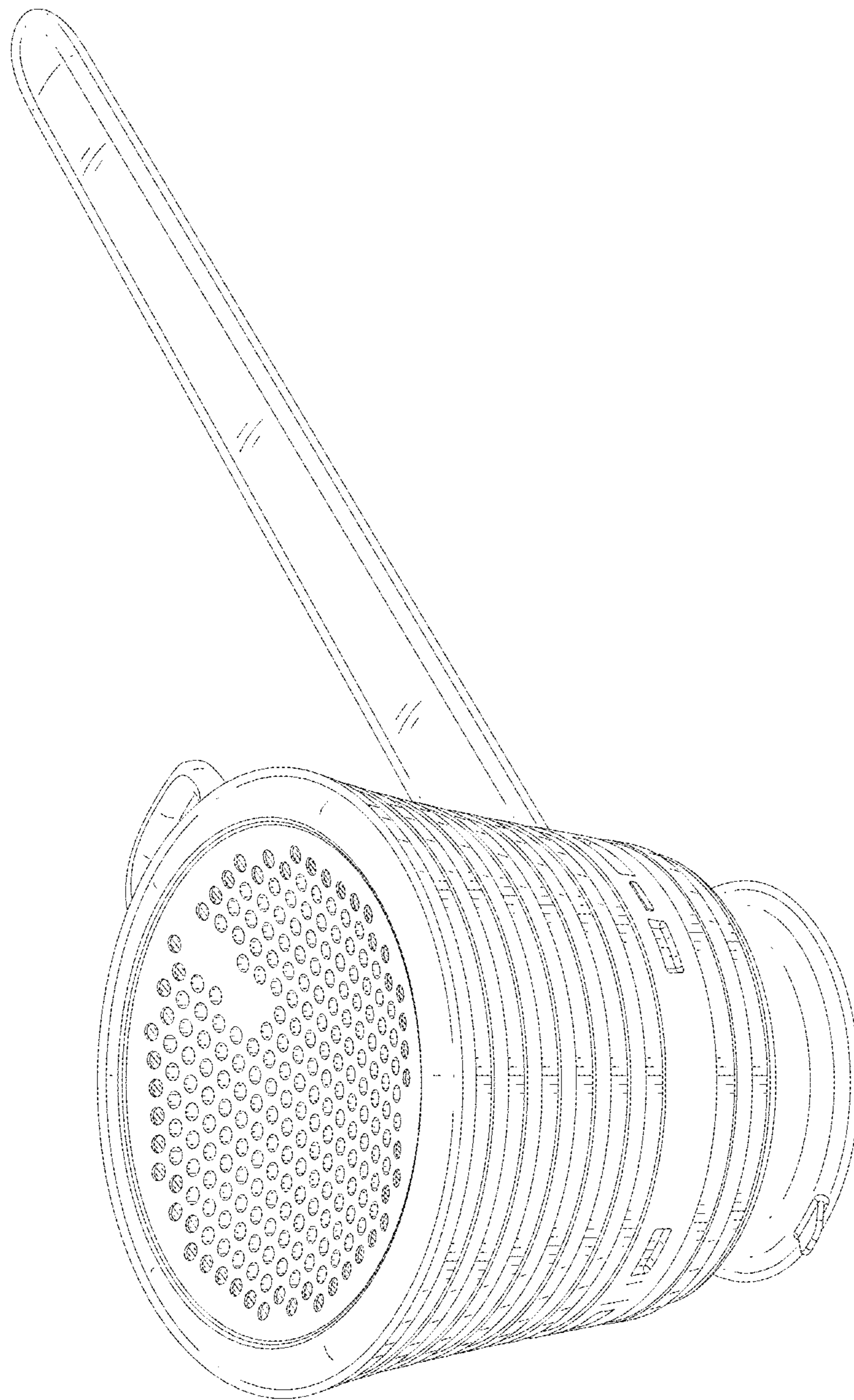


FIG.1

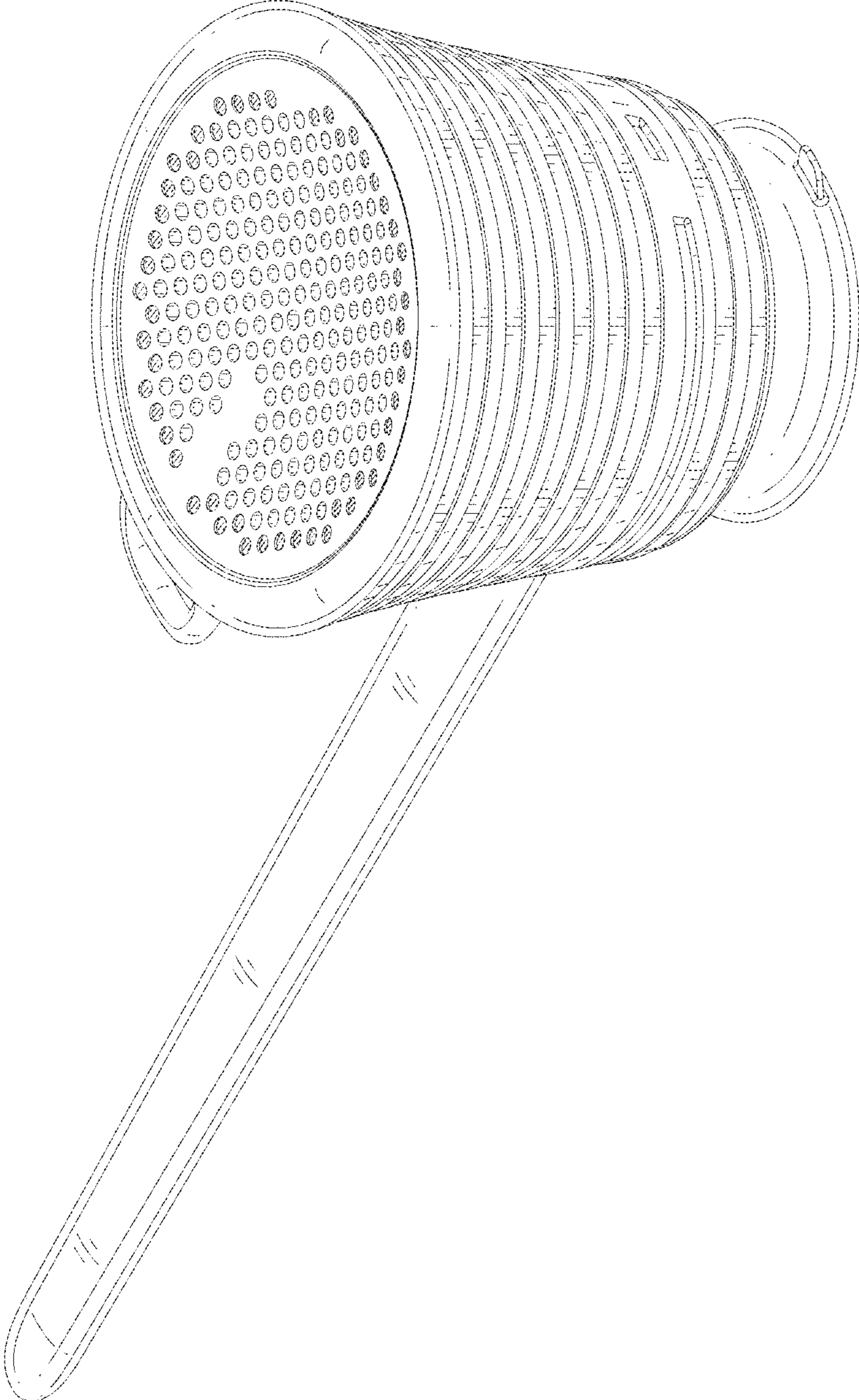


FIG.2

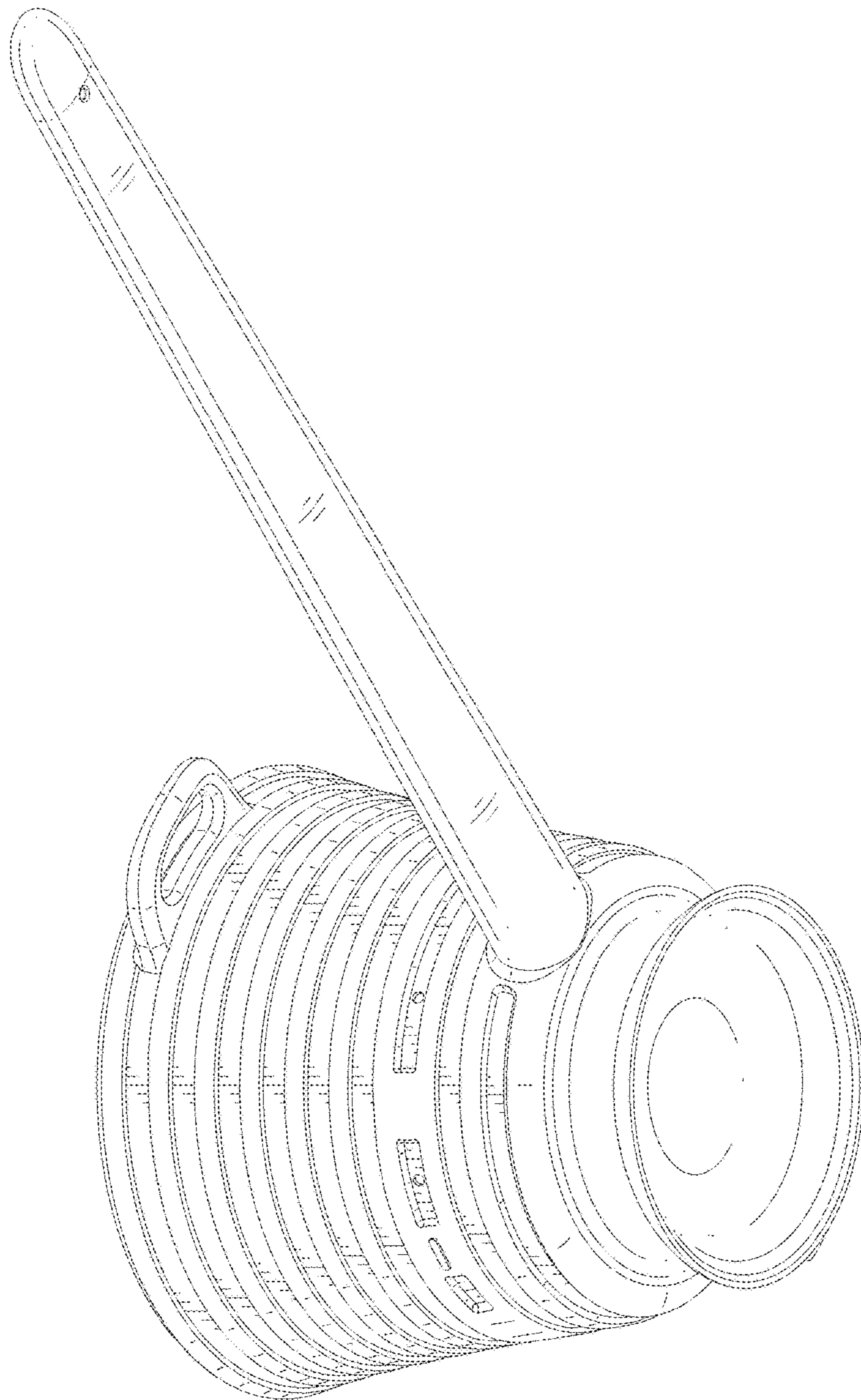


FIG.3

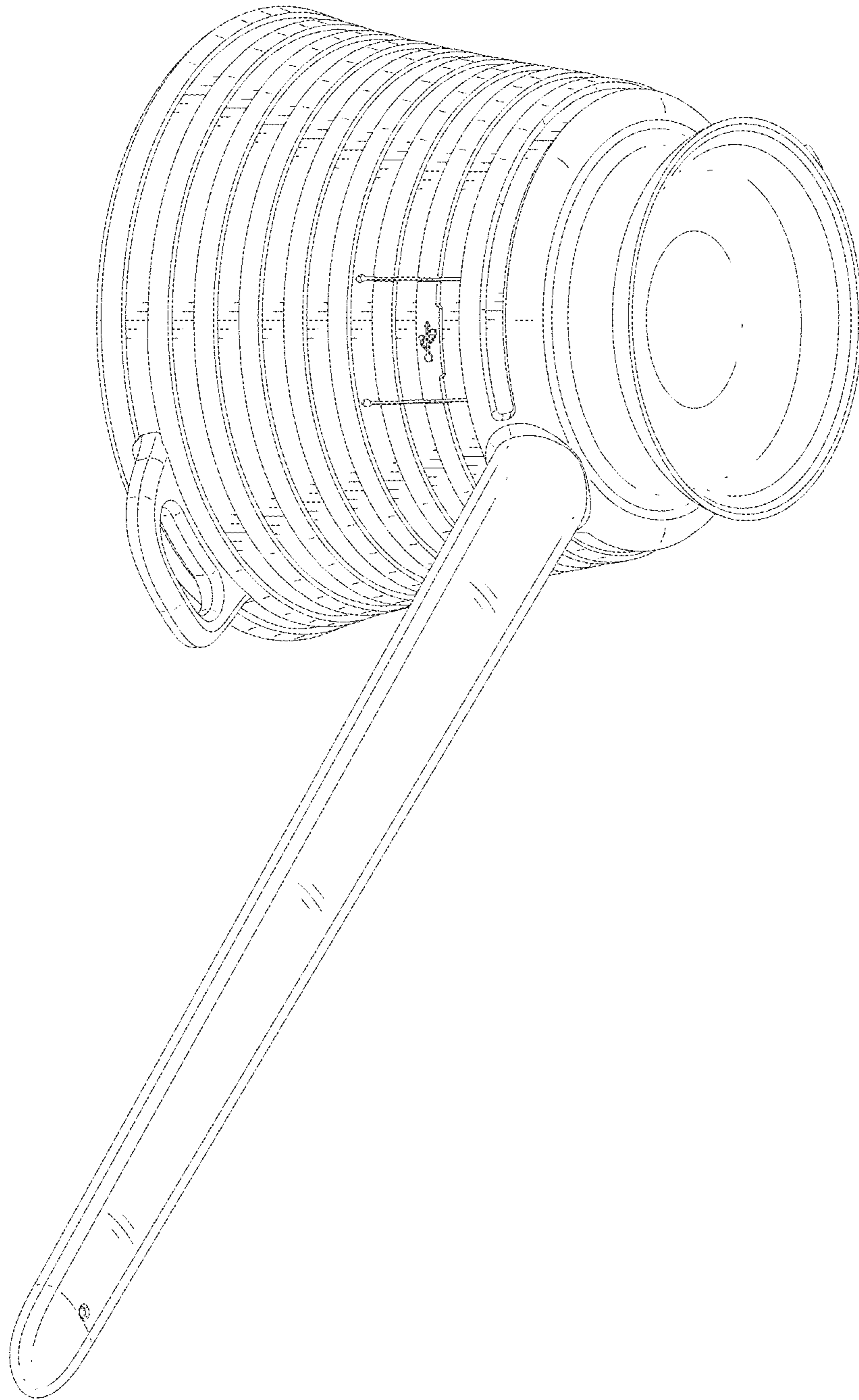


FIG.4

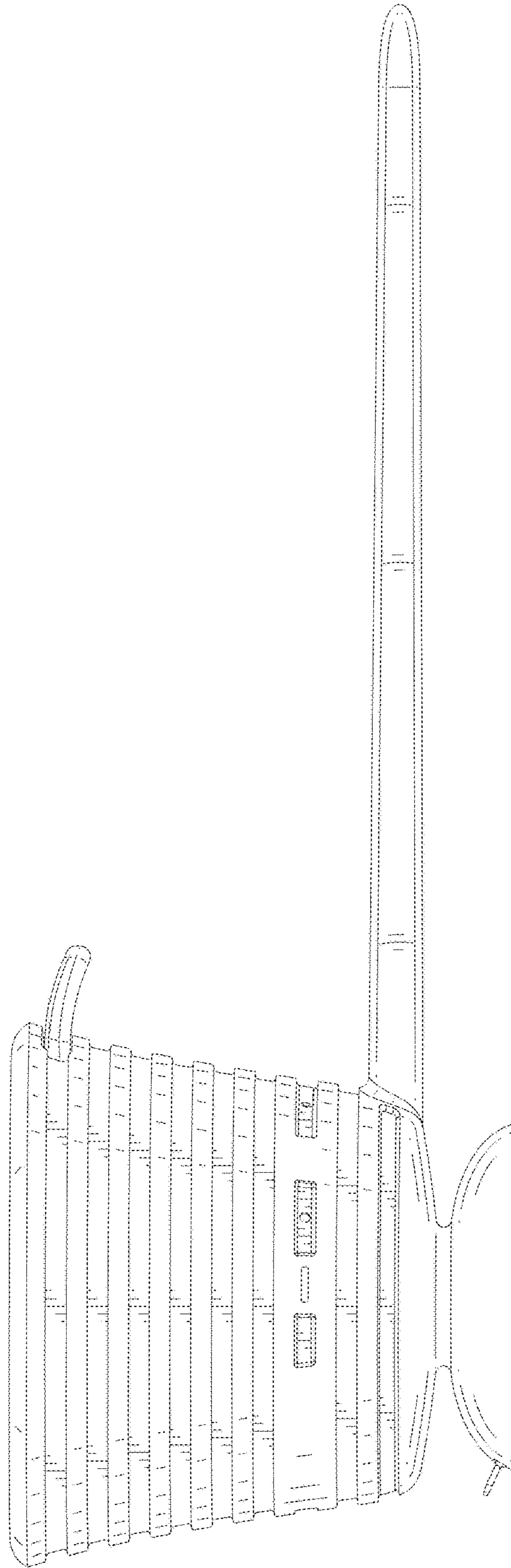


FIG.5

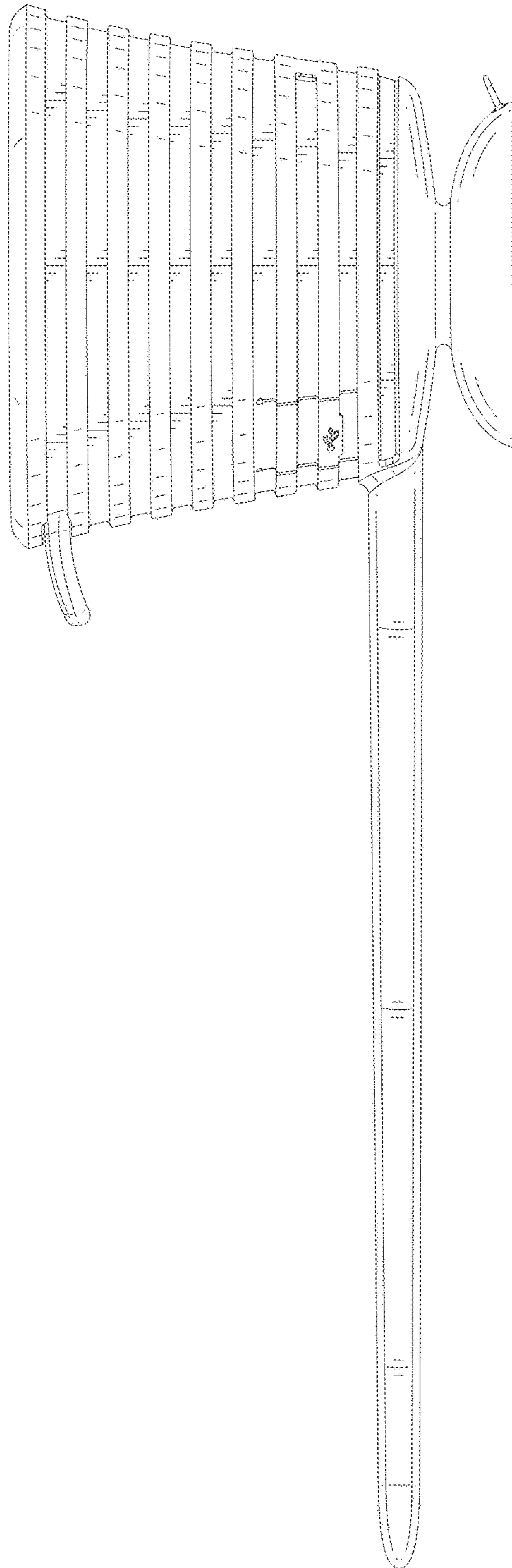


FIG.6

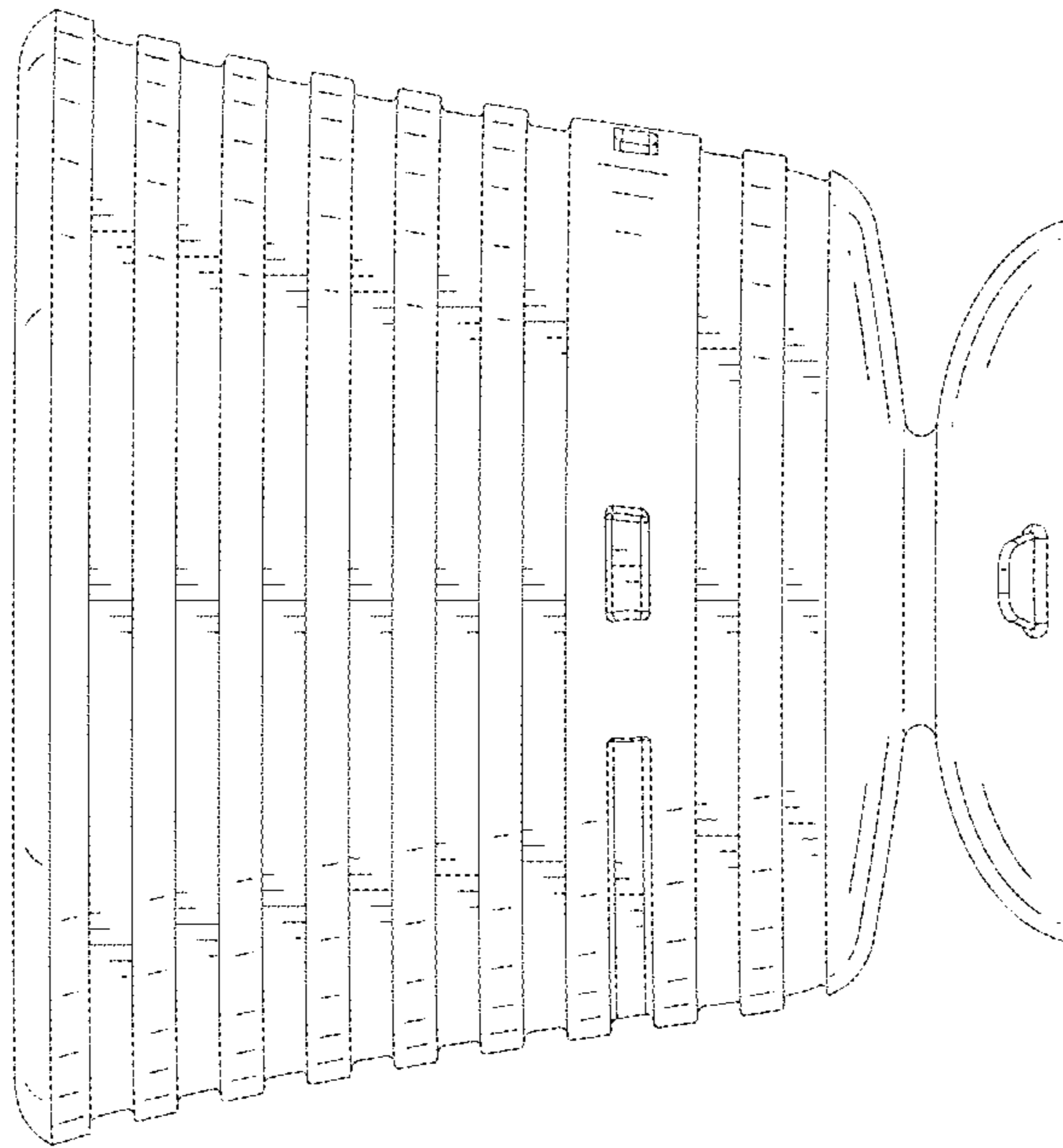


FIG.7

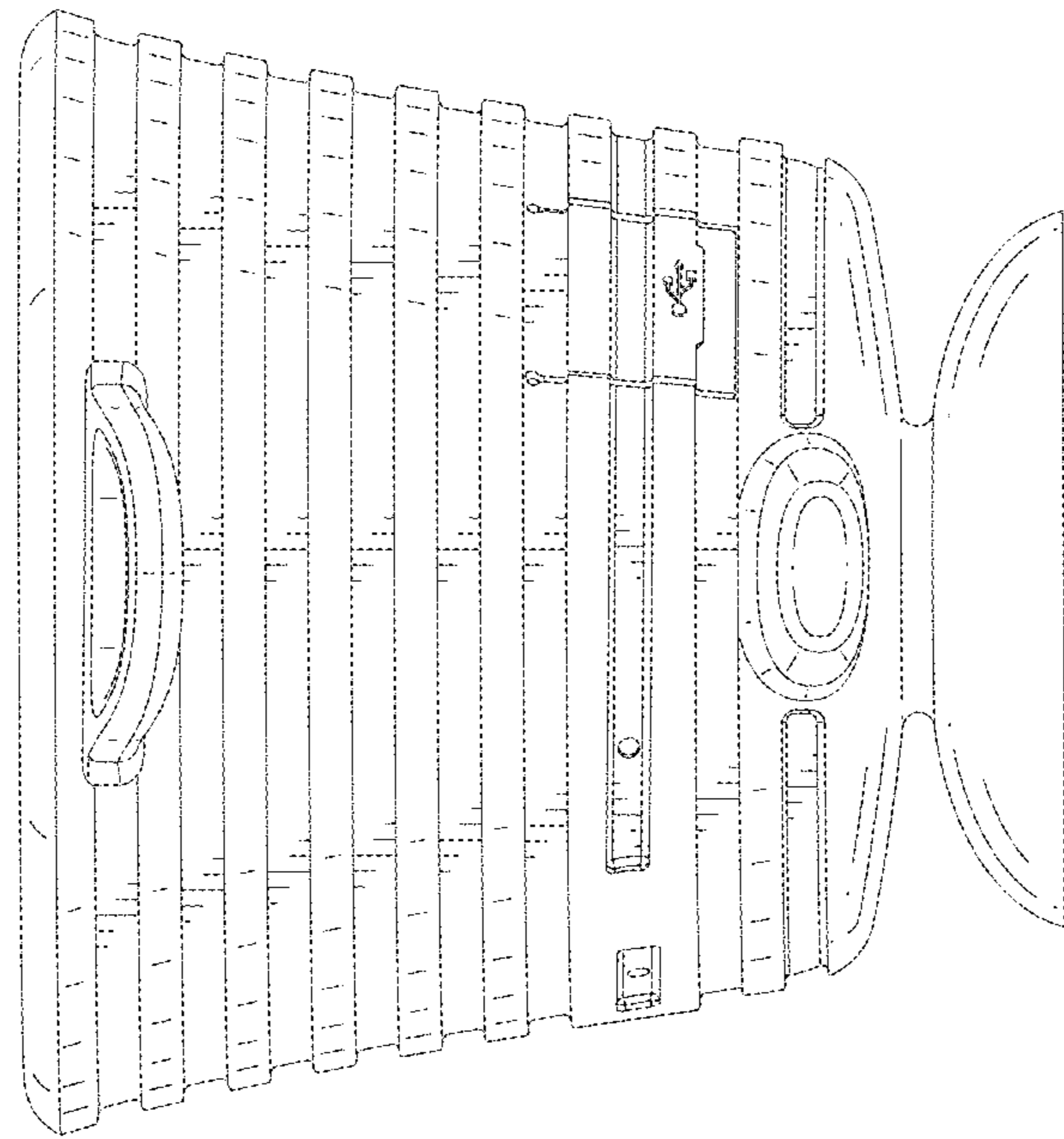


FIG.8

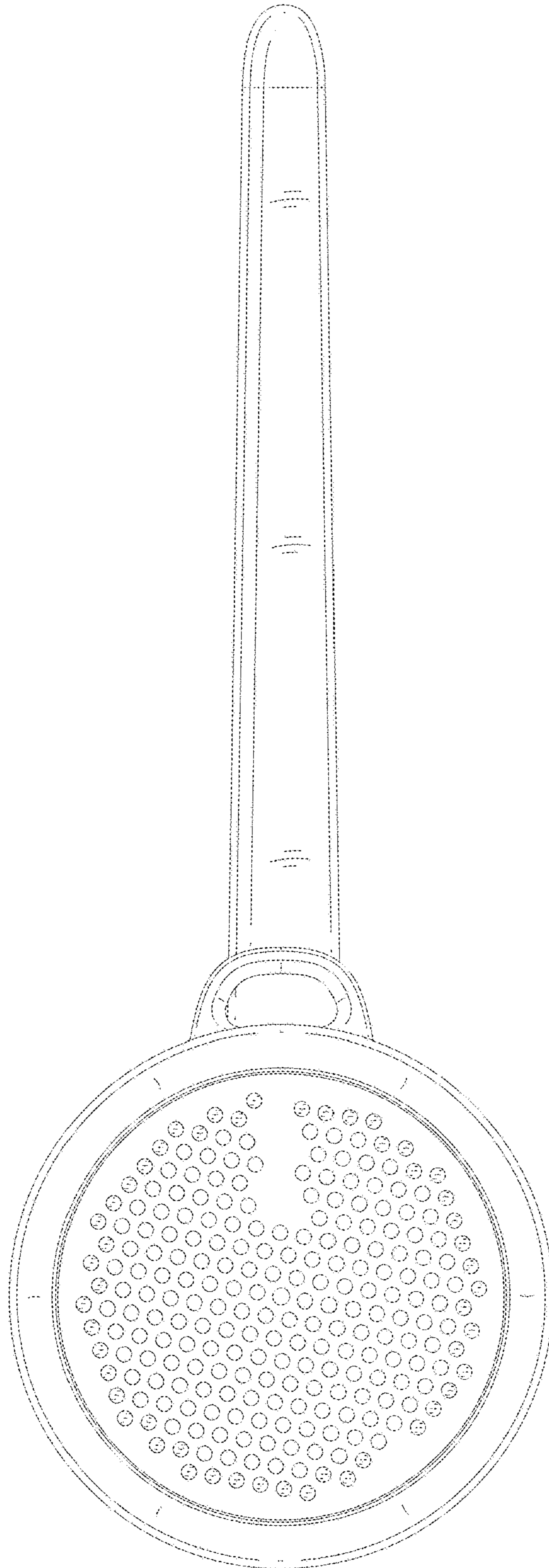


FIG. 9

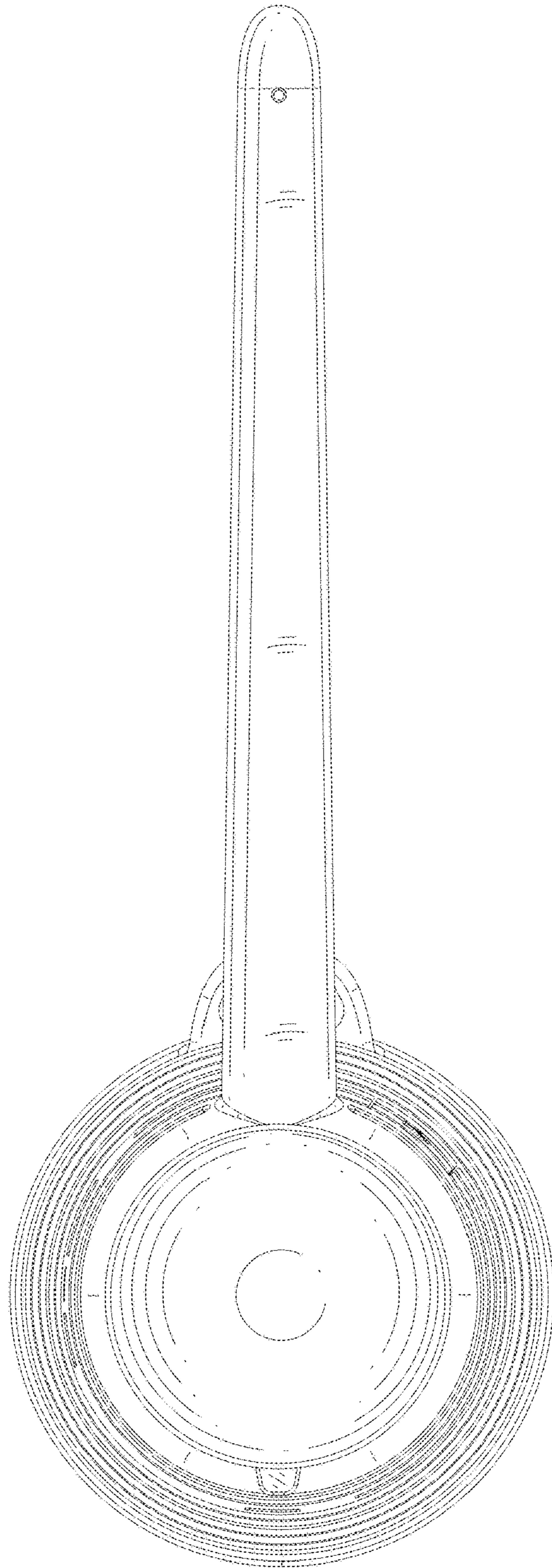


FIG. 10